



US00D455723S

(12) **United States Design Patent**
Vackar

(10) **Patent No.:** **US D455,723 S**

(45) **Date of Patent:** **** Apr. 16, 2002**

(54) **CONFIGURATION OF MULTIPLE ELECTRONIC ENCLOSURES**

(75) **Inventor:** **Mark A Vackar, Houston, TX (US)**

(73) **Assignee:** **Toshiba International Corporation, Houston, TX (US)**

(**) **Term:** **14 Years**

(21) **Appl. No.:** **29/136,651**

(22) **Filed:** **Feb. 6, 2001**

(51) **LOC (7) Cl. 13-03**

(52) **U.S. Cl. D13/184**

(58) **Field of Search D13/164, 177, D13/184; D14/348, 349, 352, 353, 354, 355, 356; 312/223.1, 223.2; 361/600, 622, 679, 724**

(56) **References Cited**

U.S. PATENT DOCUMENTS

- D277,283 S * 1/1985 Empson et al. D14/100
- D301,137 S * 5/1989 Treptow et al. D14/107
- D301,470 S * 6/1989 Preussner D14/100
- D314,947 S * 2/1991 Imamura D14/100
- D340,031 S * 10/1993 Hill D13/162.1

- D341,570 S * 11/1993 Brandt et al. D14/100
- D346,370 S * 4/1994 Hetfield et al. D14/107
- D357,905 S * 5/1995 Kimbrough D14/100
- D396,690 S * 8/1998 Fryers D13/147
- D408,796 S * 4/1999 Georgopulos D14/100

* cited by examiner

Primary Examiner—Ted Shooman

Assistant Examiner—Selina Sikder

(74) *Attorney, Agent, or Firm*—Banner & Witcoff, Ltd.

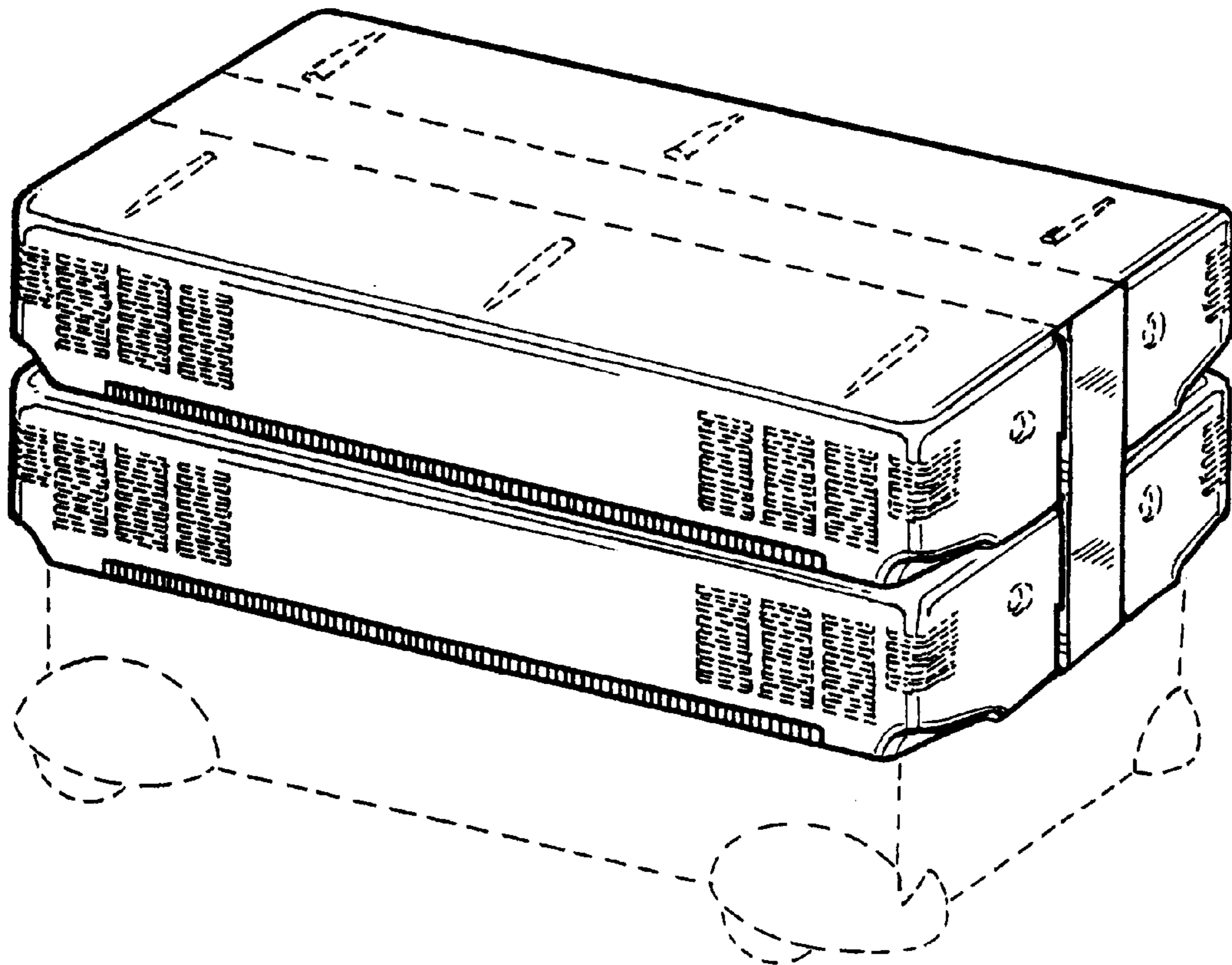
(57) **CLAIM**

The ornamental design for a configuration of multiple electronic enclosures, as shown and described.

DESCRIPTION

FIG. 1 is a perspective view of a configuration of multiple electronic enclosures showing my new design; FIG. 2 is a front elevational view thereof, the rear elevational view being a mirror image thereof; and, FIG. 3 is a side elevational view thereof, the left and right sides being mirror images of one another. No claim is made to the bottom plan view. The broken line showing of various features is for illustrative purposes only and forms no part of the claimed design.

1 Claim, 3 Drawing Sheets



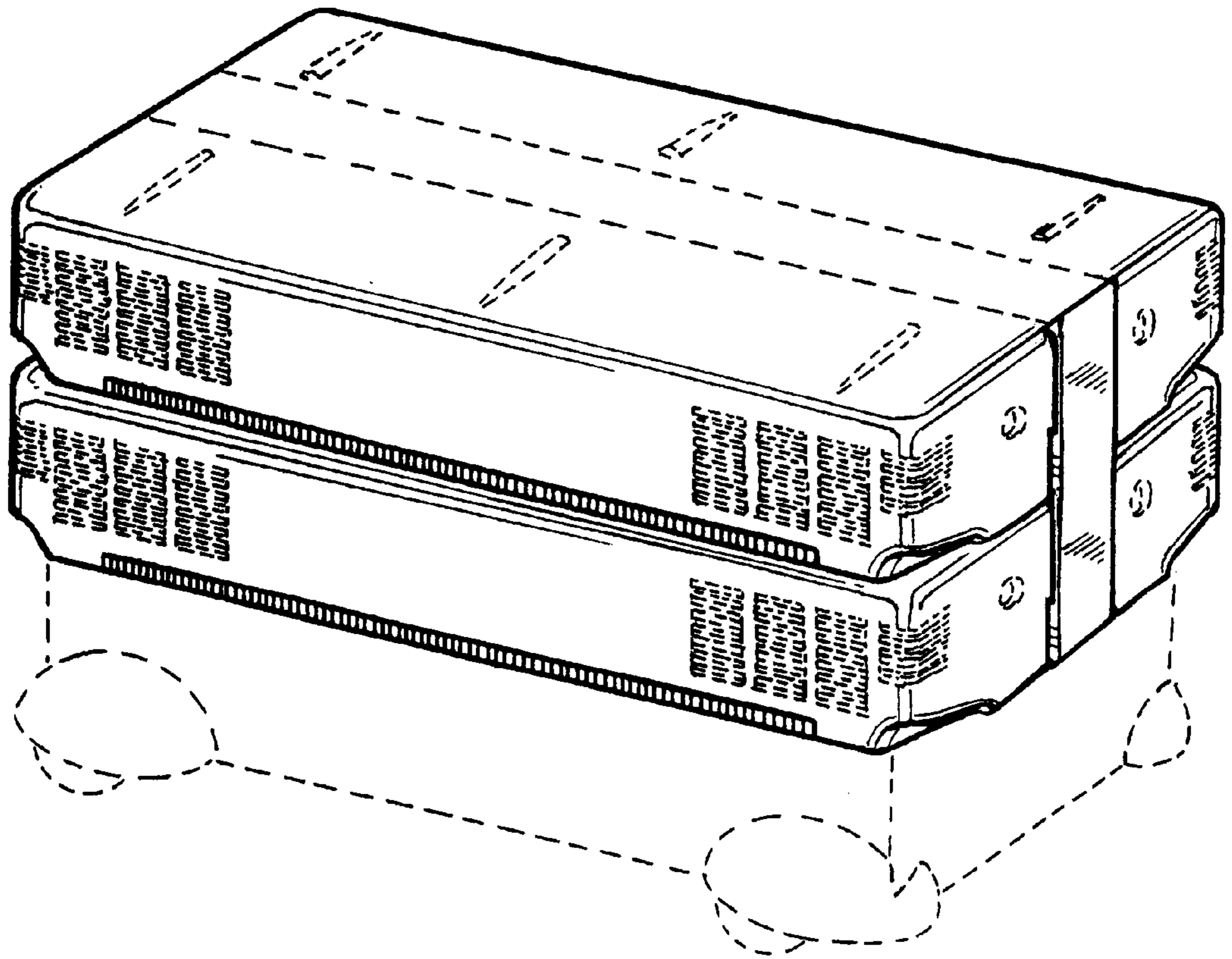


FIG.1

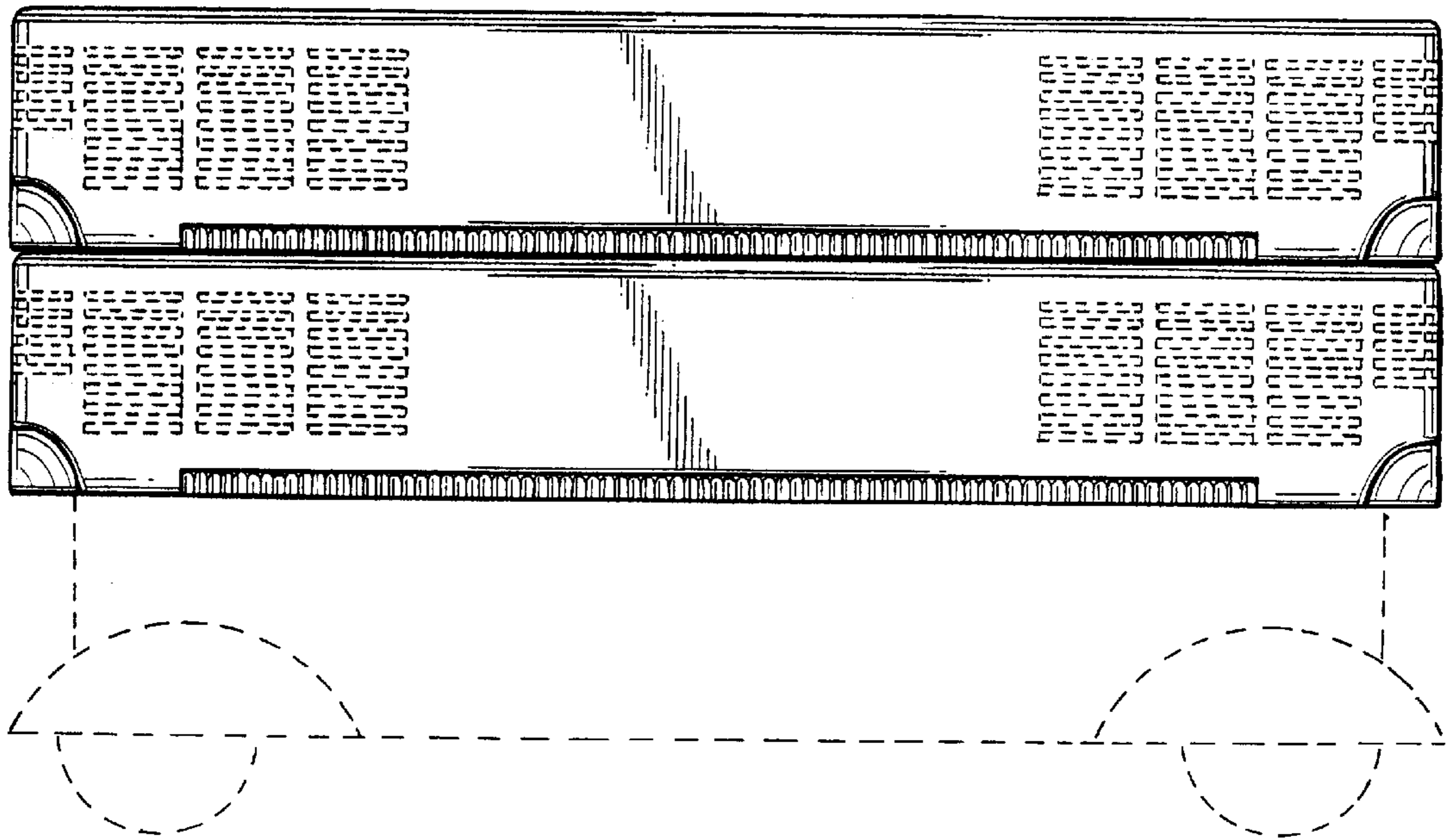


FIG. 2

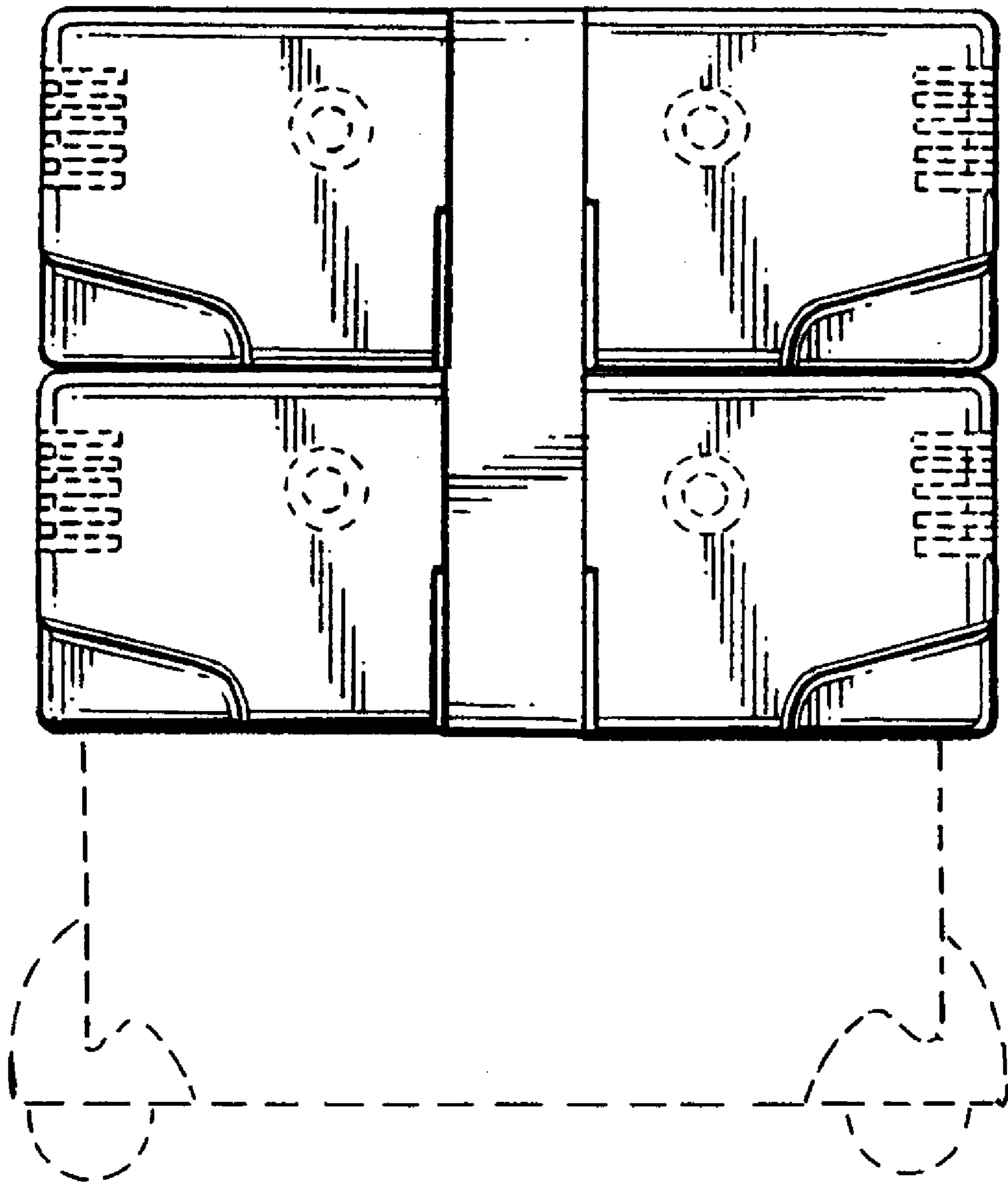


FIG. 3