



US00D455721S

(12) **United States Design Patent**
Nakamura

(10) **Patent No.:** **US D455,721 S**

(45) **Date of Patent:** **** Apr. 16, 2002**

(54) **FIXING AND/OR SUPPORTING DEVICE
FOR A CIRCUIT BOARD**

(75) **Inventor:** **Toshinobu Nakamura, Tokyo (JP)**

(73) **Assignee:** **Shinagawa Shoko Co., Ltd., Tokyo (JP)**

(**) **Term:** **14 Years**

(21) **Appl. No.:** **29/131,216**

(22) **Filed:** **Oct. 16, 2000**

(51) **LOC (7) Cl.** **13-03**

(52) **U.S. Cl.** **D13/182**

(58) **Field of Search** D13/182, 110,
D13/123, 173, 146, 154, 158, 199; D8/354,
356, 330, 331, 338, 341, 343, 382, 386;
D10/46, 75; 29/829-853; 174/250-268;
216/13; 292/314; 361/400, 403, 417, 724,
748, 728, 752-753, 798, 718; 411/500;
428/901; 470/27

(56) **References Cited**

U.S. PATENT DOCUMENTS

D312,616 S	*	12/1990	Makita et al.	D13/154
D369,291 S	*	4/1996	Nakamura	D8/354
D392,544 S	*	3/1998	Nakamura	D8/354
D392,545 S	*	3/1998	Nakamura	D8/354
D431,175 S	*	9/2000	Lodi	D8/354

OTHER PUBLICATIONS

U.S. application No. 29/142,676, filed May 31, 2001, Inventor: Toshinobu Nakamura.

* cited by examiner

Primary Examiner—Ted Shooman

Assistant Examiner—Daniel Bui

(74) *Attorney, Agent, or Firm*—Frishauf, Holtz, Goodman, Langer & Chick, P.C.

(57) **CLAIM**

The ornamental design for a fixing and/or supporting device for a circuit board, as shown and described.

DESCRIPTION

FIG. 1 is a front, left side and top perspective view of a fixing and supporting device for and of a print circuit board; FIG. 2 is a front elevational view thereof; FIG. 3 is a rear elevational view thereof; FIG. 4 is a top plan view thereof; FIG. 5 is a bottom plan view thereof; FIG. 6 is a left side view thereof, the right side view being a mirror image; FIG. 7 is a left side view showing the device in use; and, FIG. 8 is a cross-sectional view taken along line 8—8 in FIG. 2.

The broken lines showing of the environment are for illustrative purposes only and form no part of the claimed design.

1 Claim, 5 Drawing Sheets

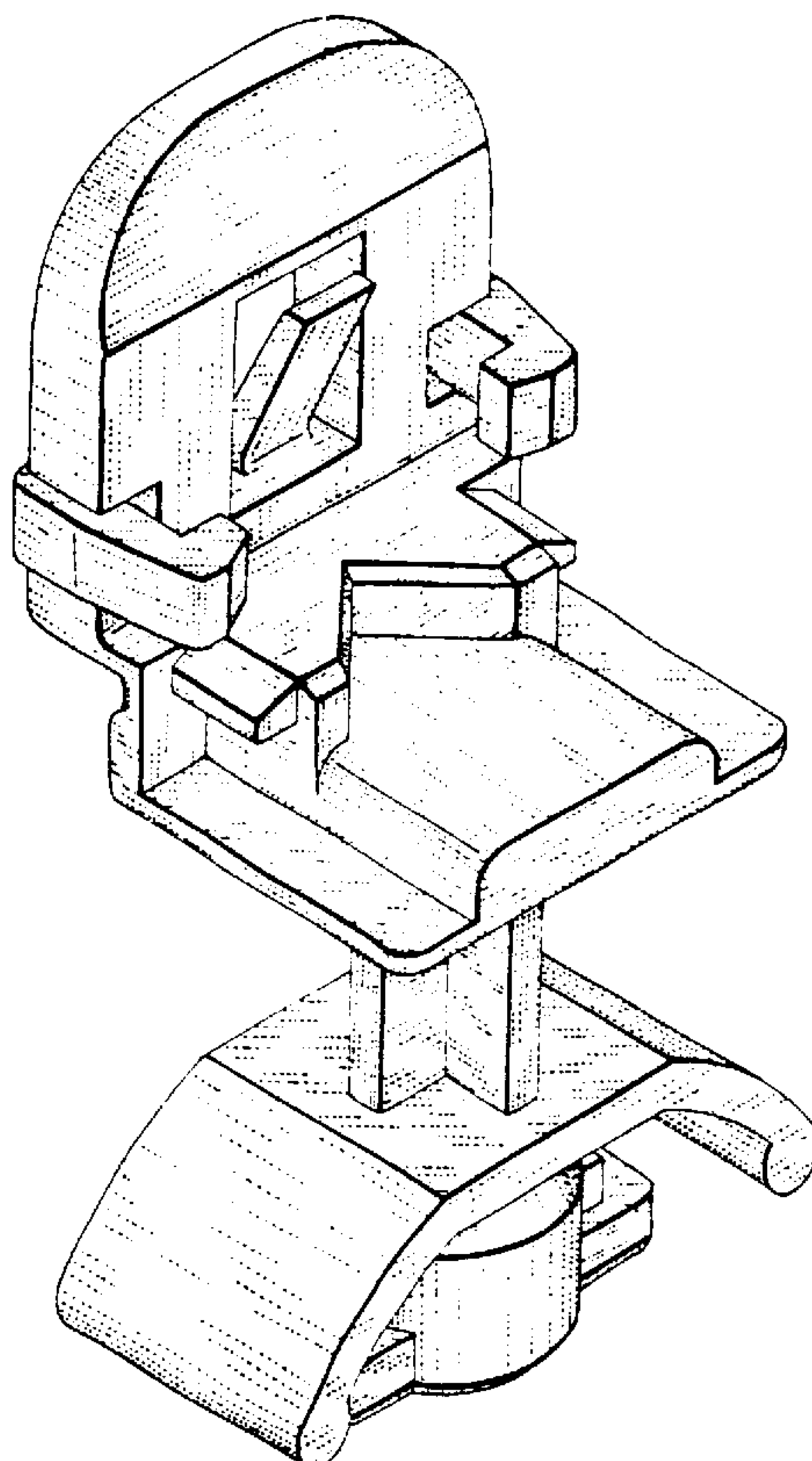


FIG. 1

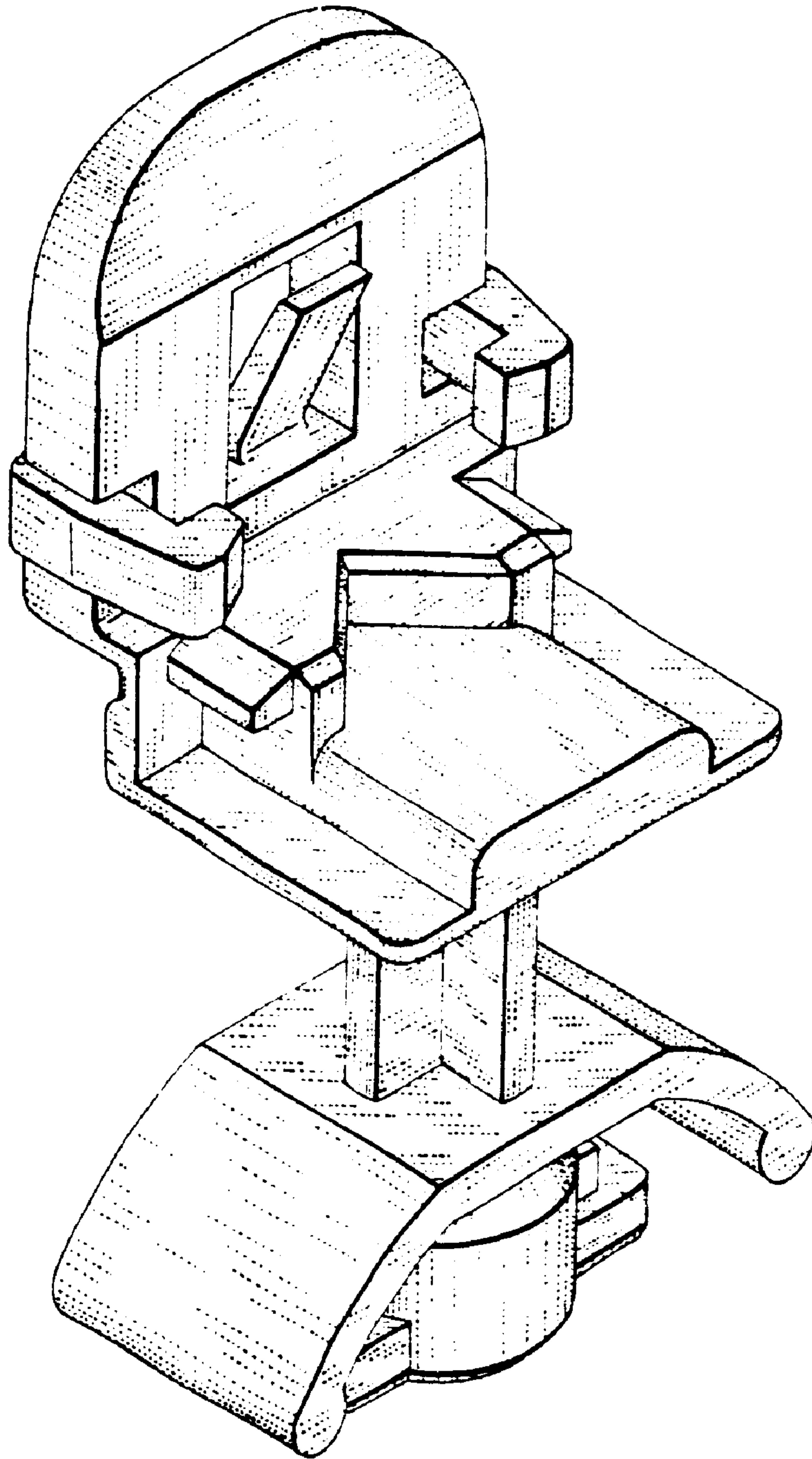


FIG. 2

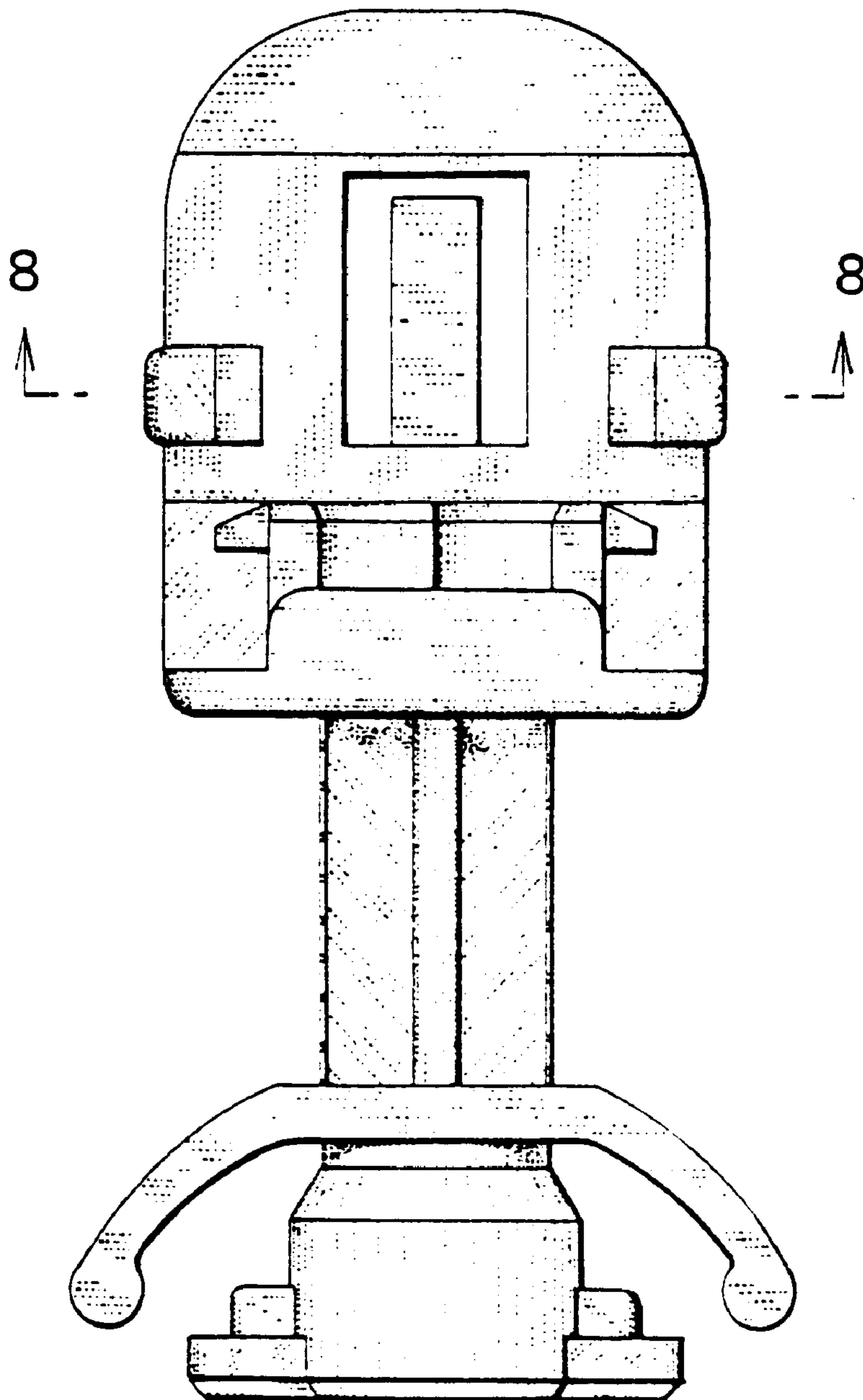


FIG. 3

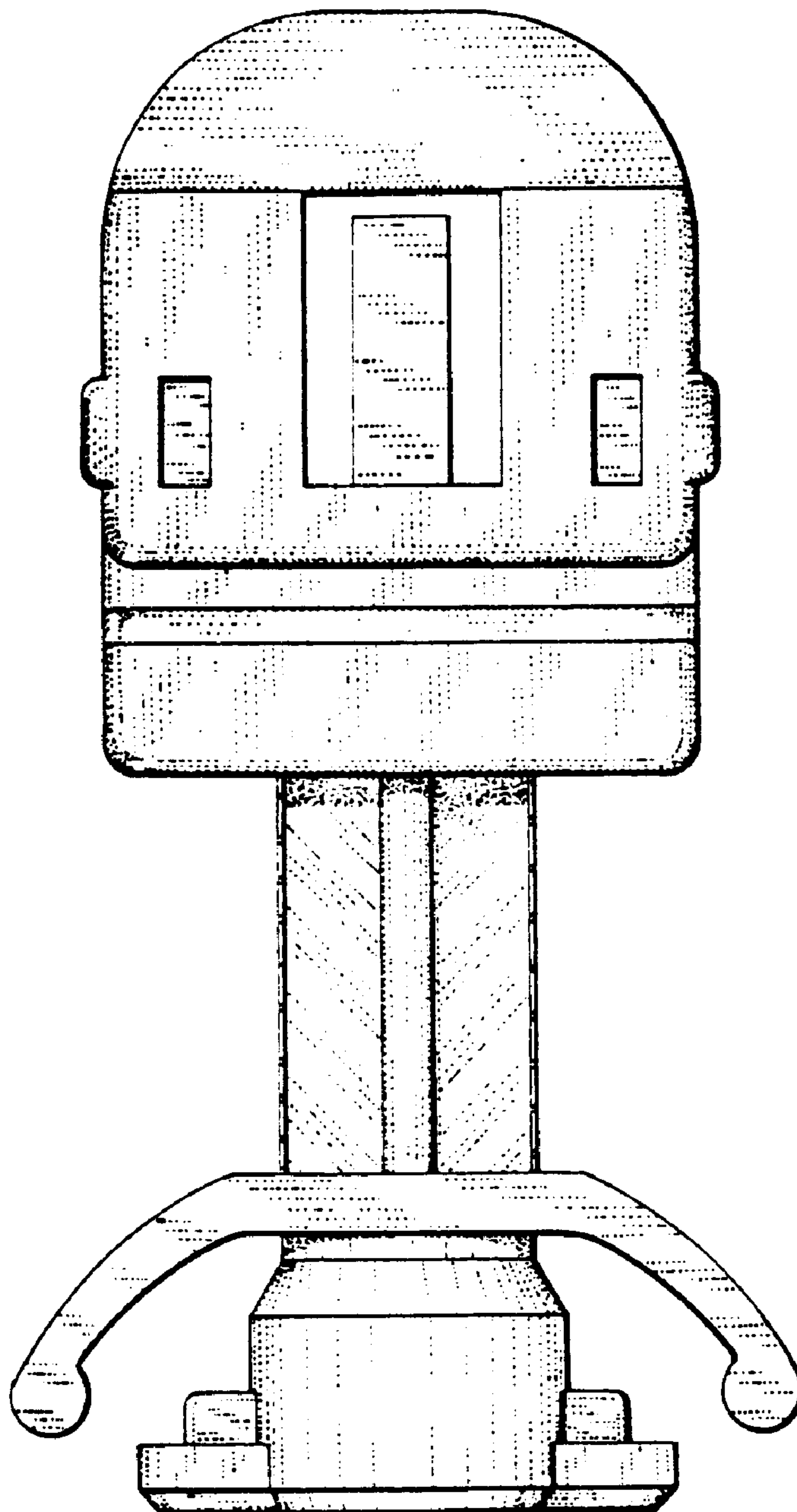


FIG. 4

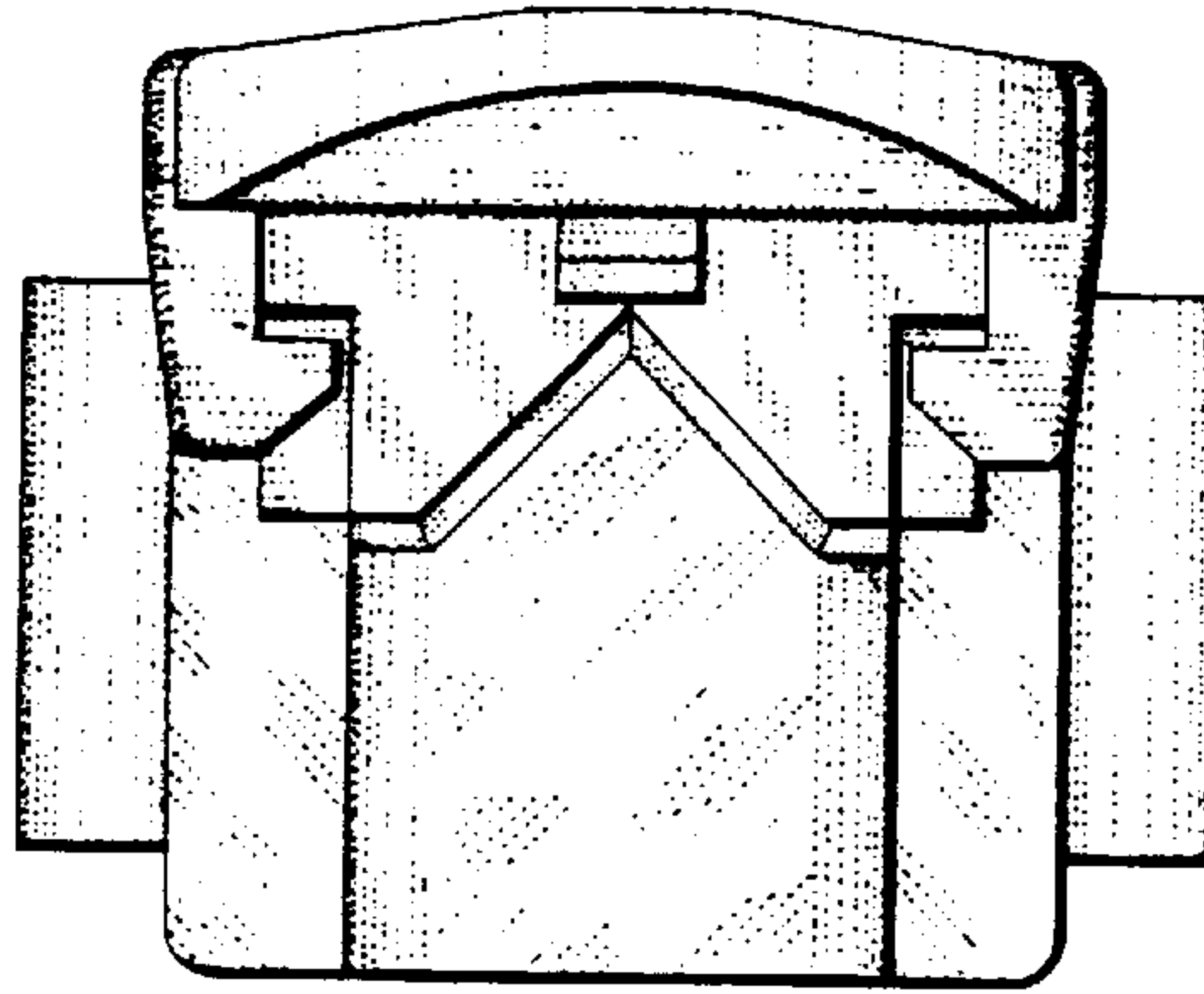


FIG. 5

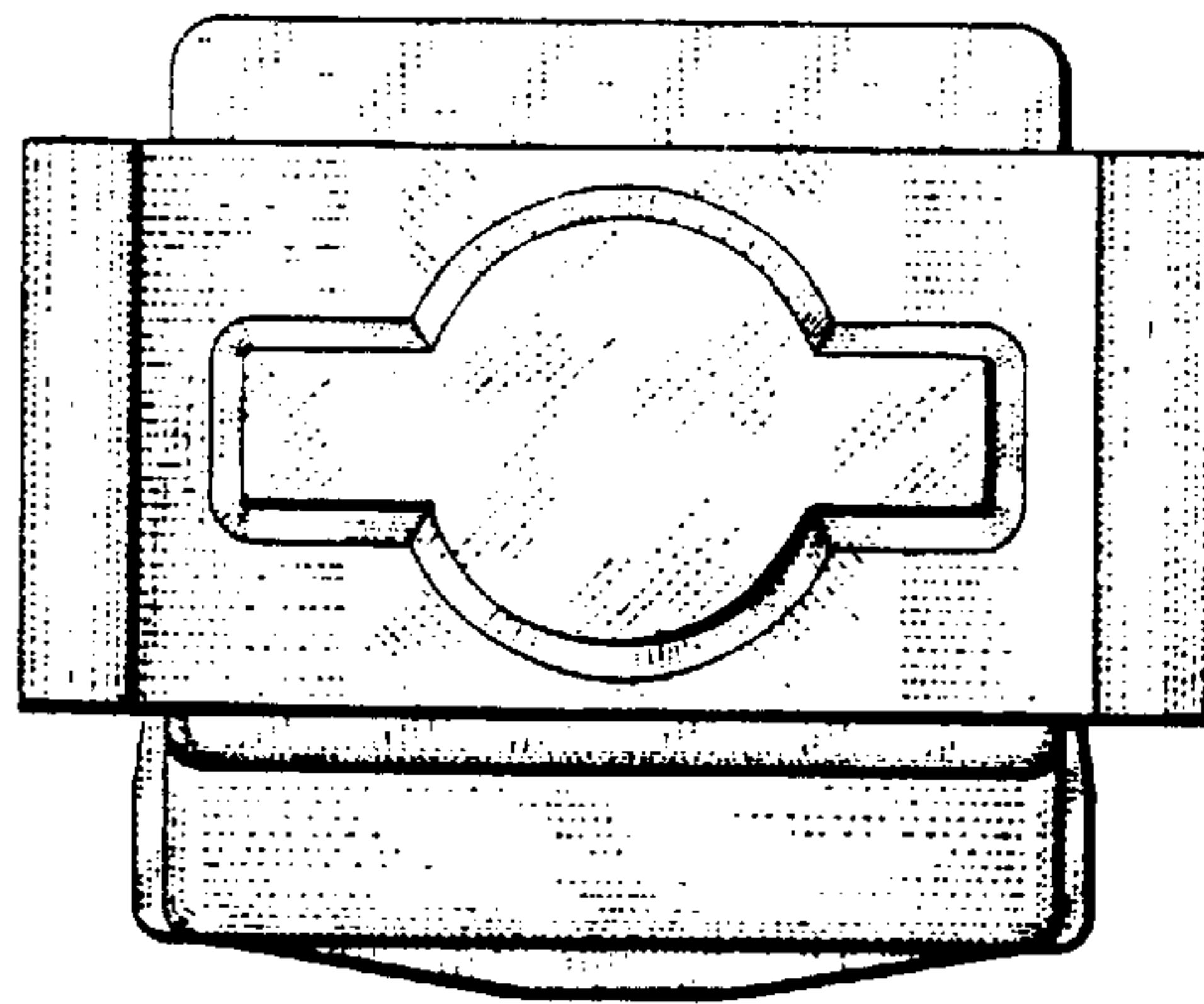


FIG. 8

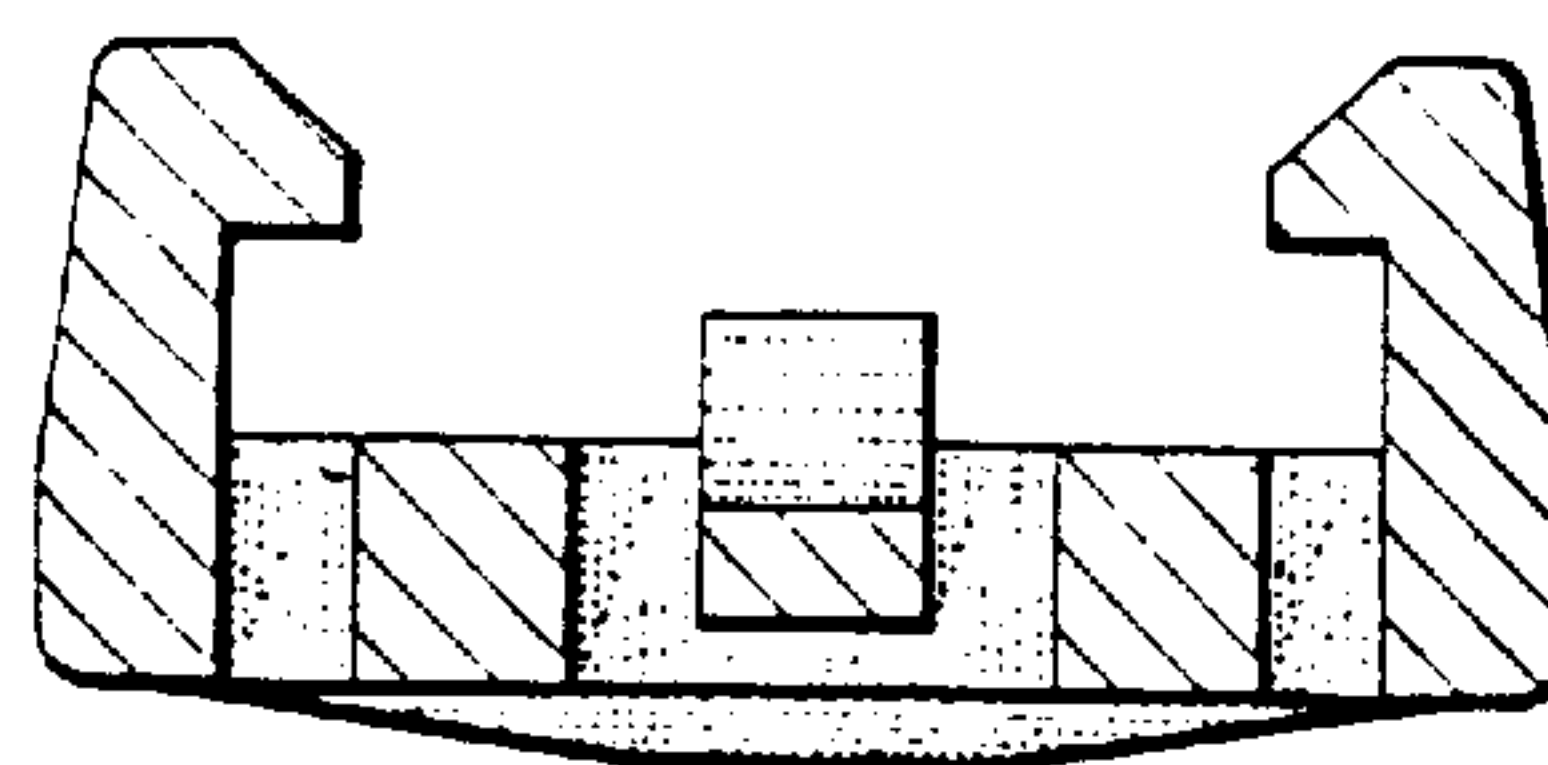


FIG. 6

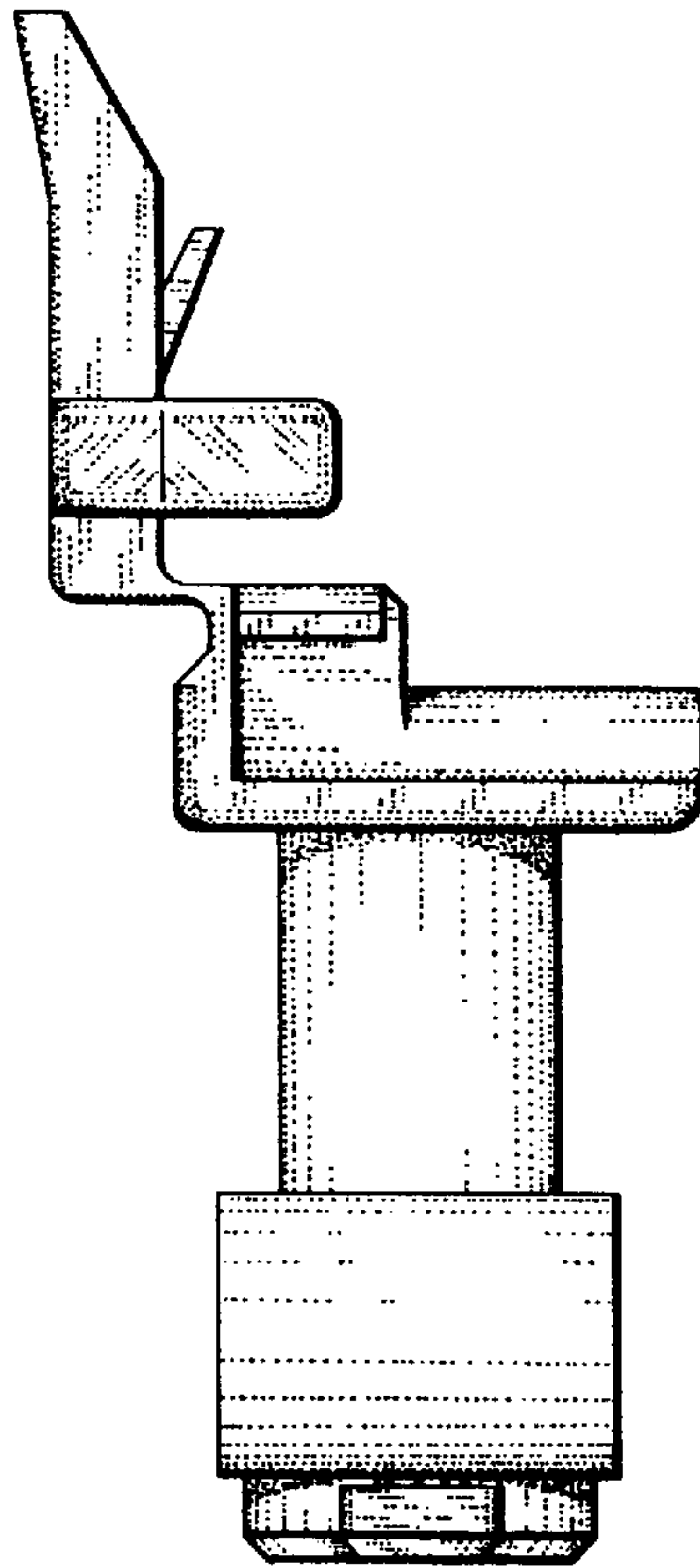


FIG. 7

