



US00D455718S

(12) **United States Design Patent**
Hwang

(10) **Patent No.:** **US D455,718 S**

(45) **Date of Patent:** **** Apr. 16, 2002**

(54) **ELECTRICAL CONNECTOR**

(75) Inventor: **Jeng-Yih Hwang**, Irvine, CA (US)

(73) Assignee: **Hon Hai Precision Ind. Co., Ltd.**,
Taipei Hsien (TW)

(**) Term: **14 Years**

(21) Appl. No.: **29/137,582**

(22) Filed: **Feb. 23, 2001**

(51) **LOC (7) Cl.** **13-03**

(52) **U.S. Cl.** **D13/147**

(58) **Field of Search** D13/147; 439/350,
439/352, 357, 358, 484, 509

(56) **References Cited**

U.S. PATENT DOCUMENTS

3,178,670 A	*	4/1965	Daniel et al.	439/376
D313,006 S	*	12/1990	Siemon et al.	D13/147
5,613,870 A	*	3/1997	Traver, Jr.	439/352
D399,490 S	*	10/1998	Gerke et al.	D13/147
5,947,572 A	*	9/1999	Chang	439/484 X

6,053,762 A	*	4/2000	Matsumura et al.	439/484
D432,086 S	*	10/2000	Lee	D13/147
6,126,479 A	*	10/2000	Lee	439/484
6,146,179 A	*	11/2000	Denny et al.	439/352
6,179,642 B1	*	1/2001	Hwang	439/358
6,217,228 B1	*	4/2001	Samela et al.	439/101

* cited by examiner

Primary Examiner—Joel Sincavage

(74) *Attorney, Agent, or Firm*—Wei Te Chung

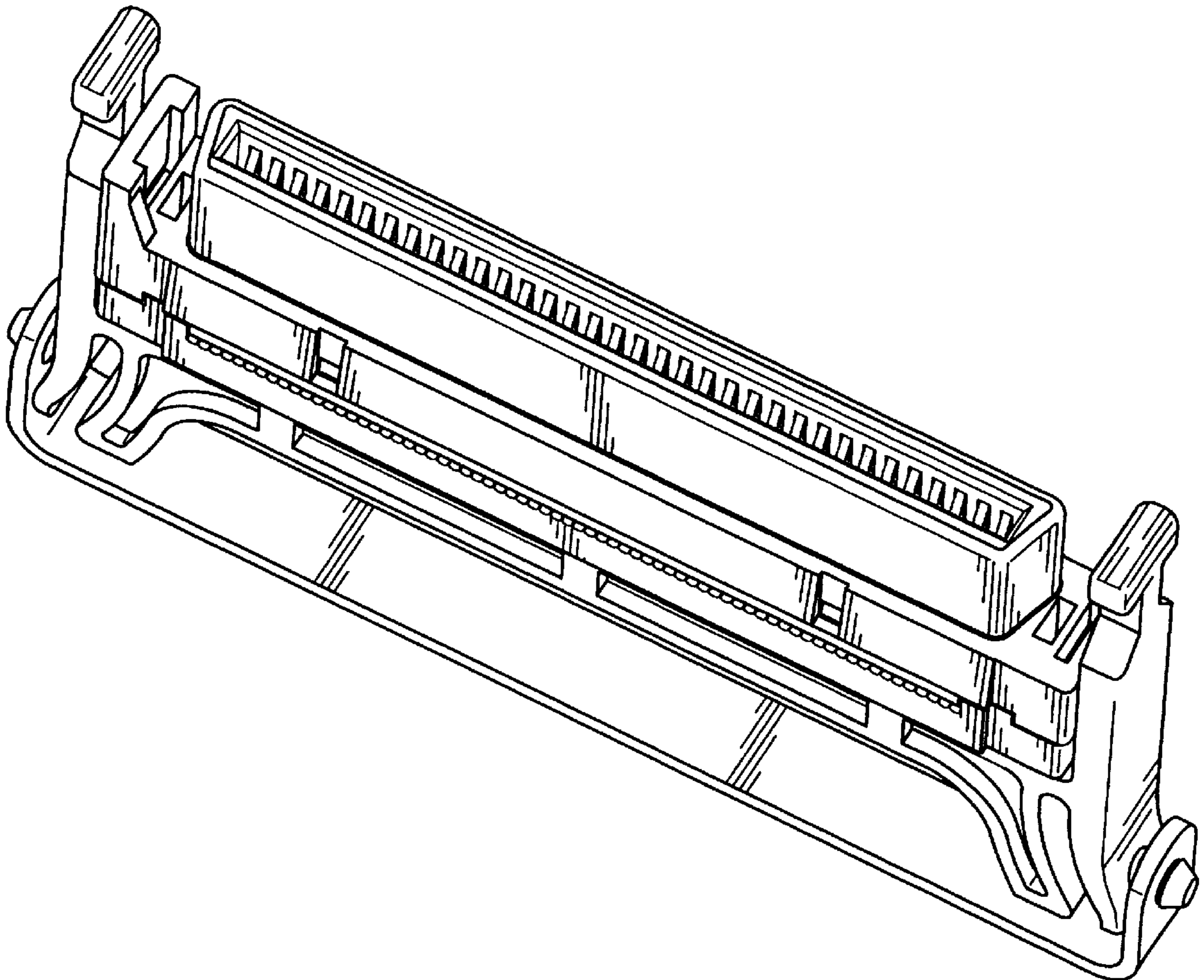
(57) **CLAIM**

The ornamental design for an electrical connector, as shown.

DESCRIPTION

FIG. 1 is a front, top and right side perspective view of an electrical connector showing my new design; FIG. 2 is a front elevational view thereof; FIG. 3 is a rear elevational view thereof; FIG. 4 is a left side elevational view thereof; FIG. 5 is a right side elevational view thereof; FIG. 6 is a top plan view thereof; and, FIG. 7 is a bottom plan view thereof.

1 Claim, 5 Drawing Sheets



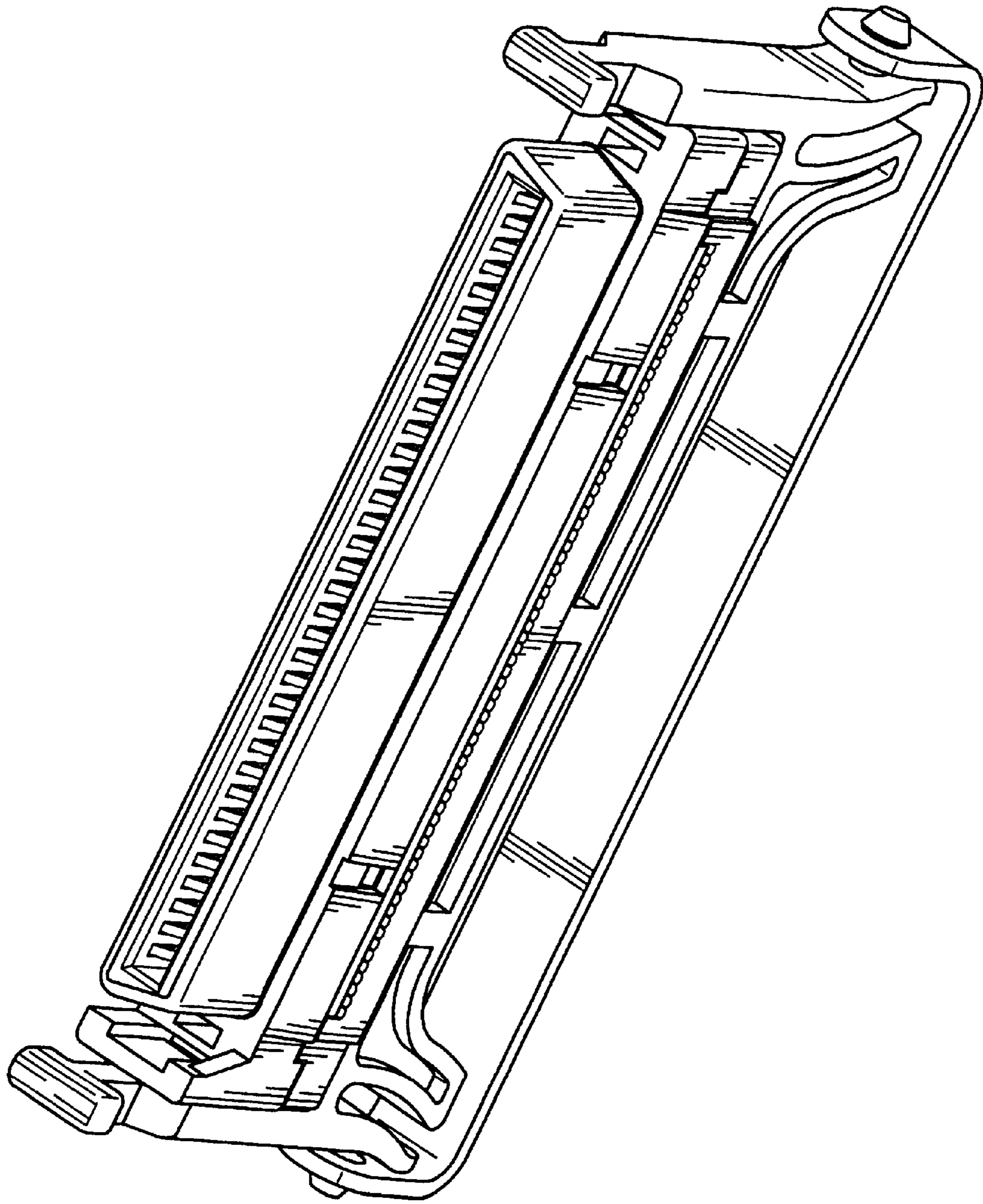


FIG. 1

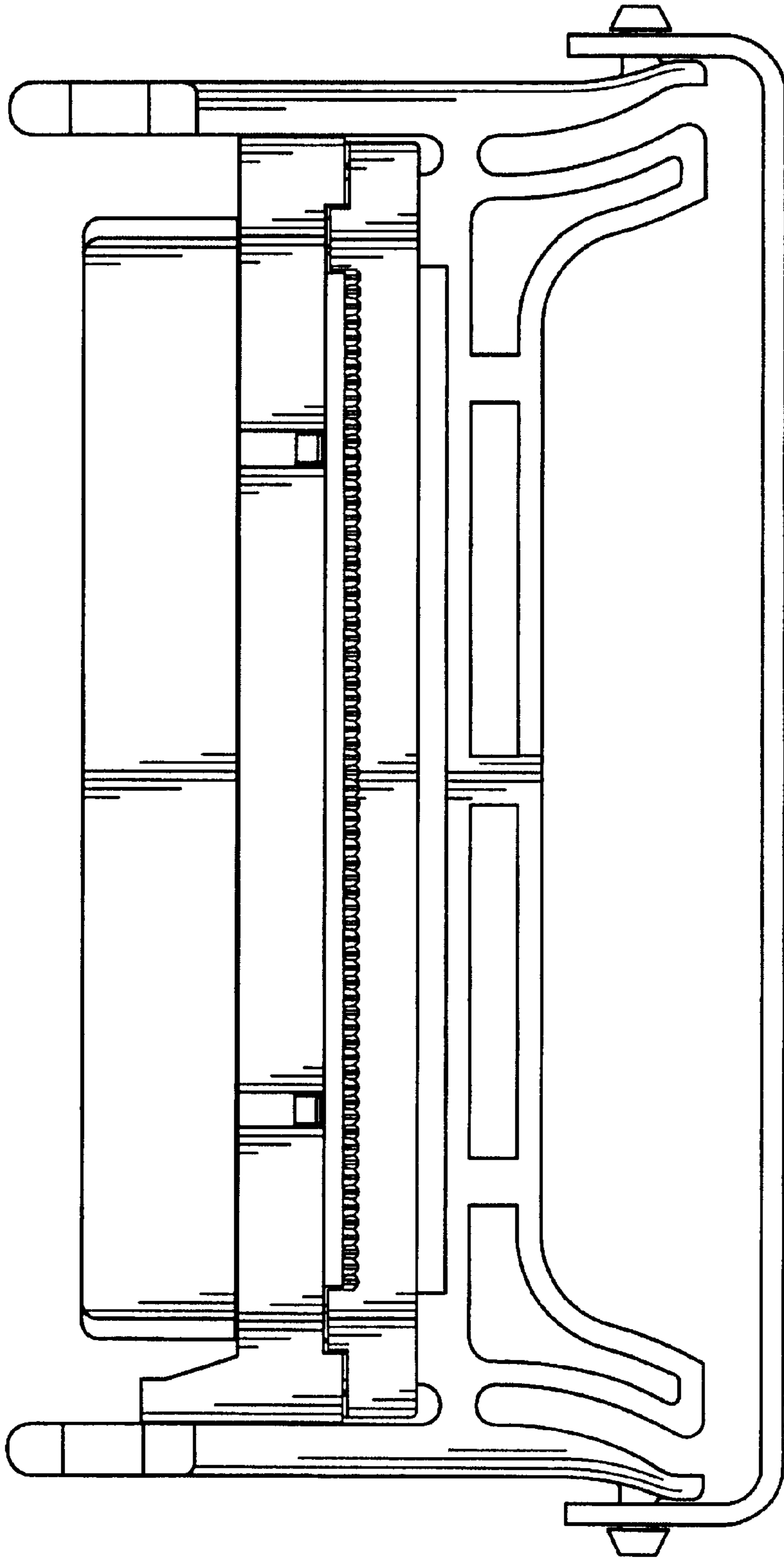


FIG. 2

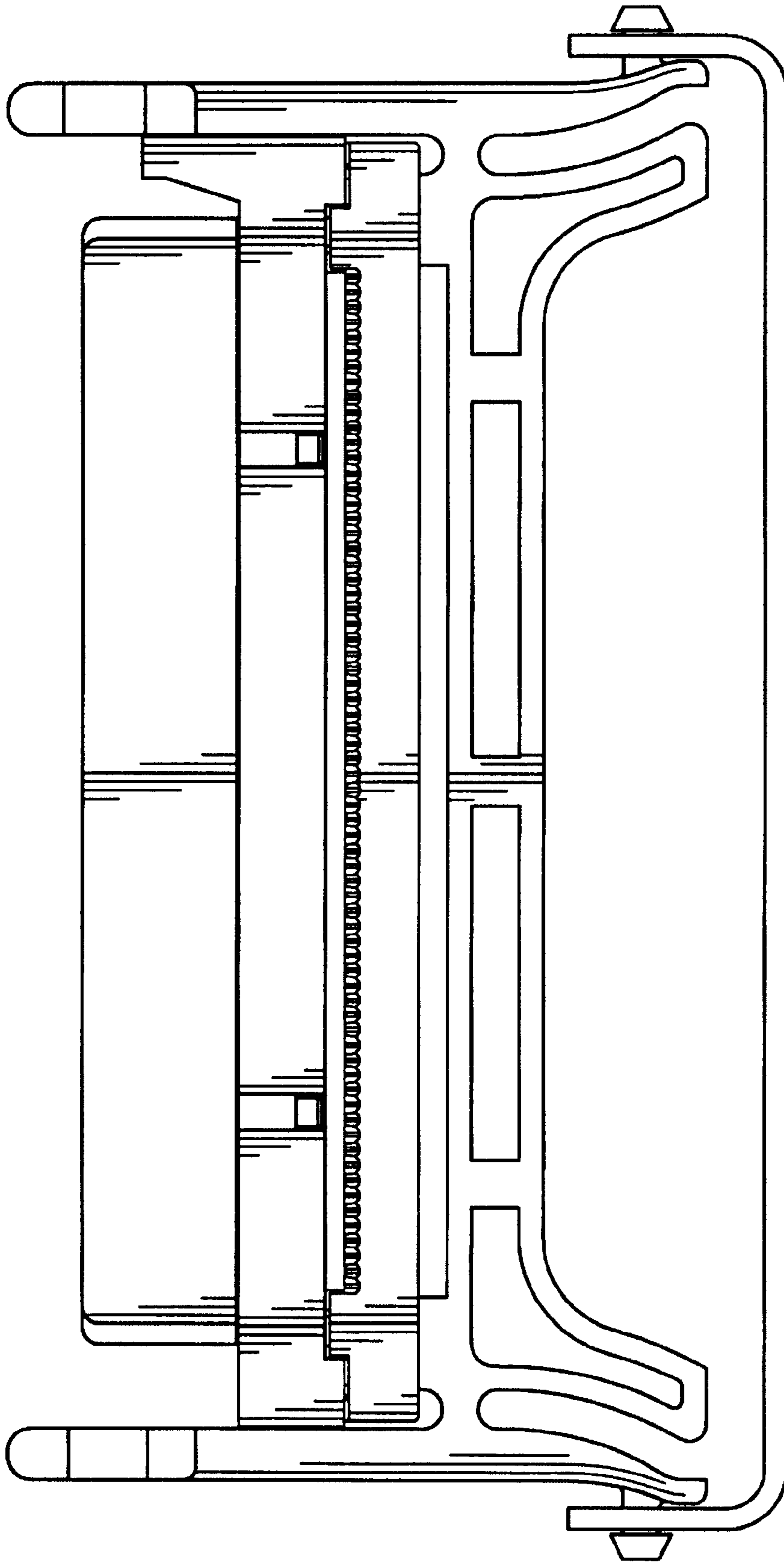


FIG. 3

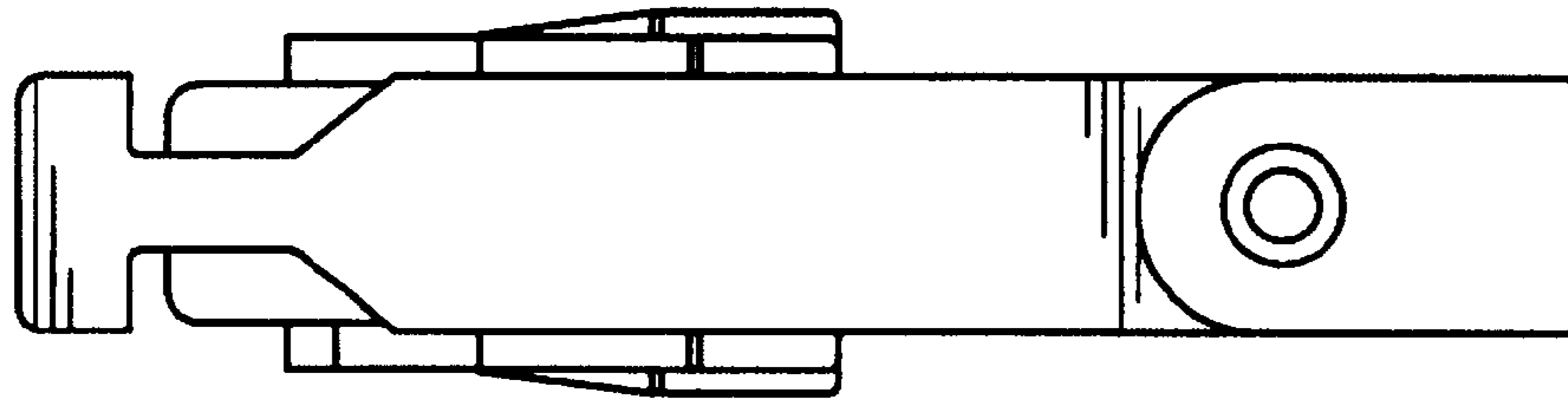


FIG. 4

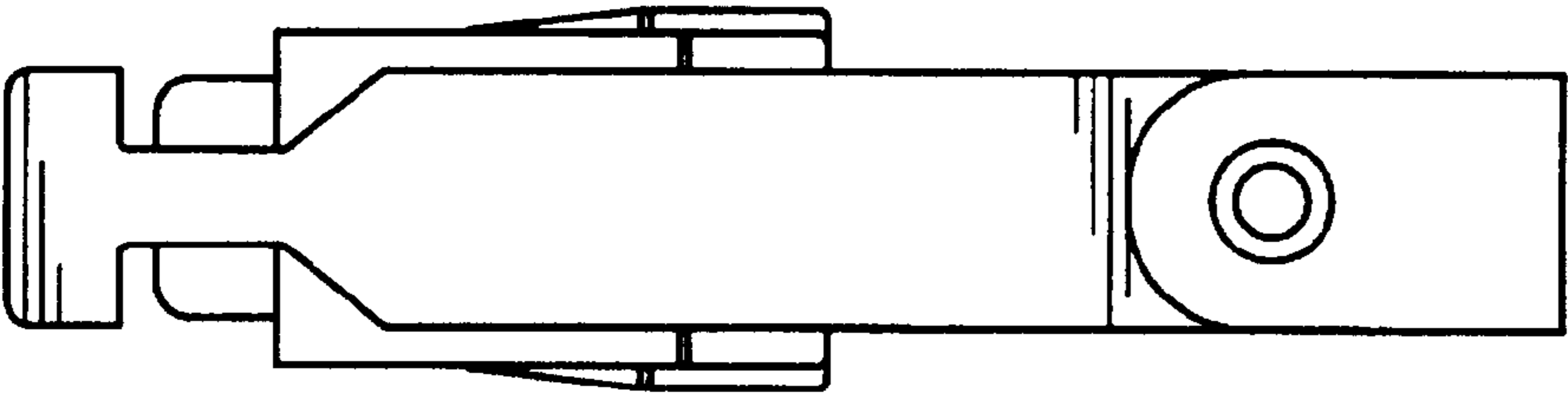


FIG. 5

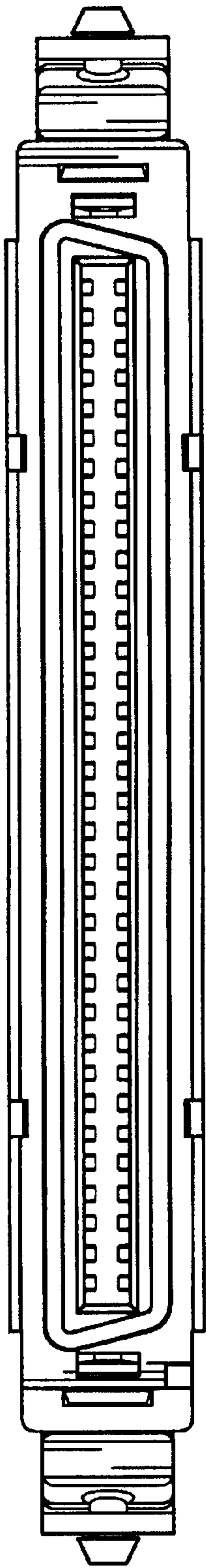


FIG. 6

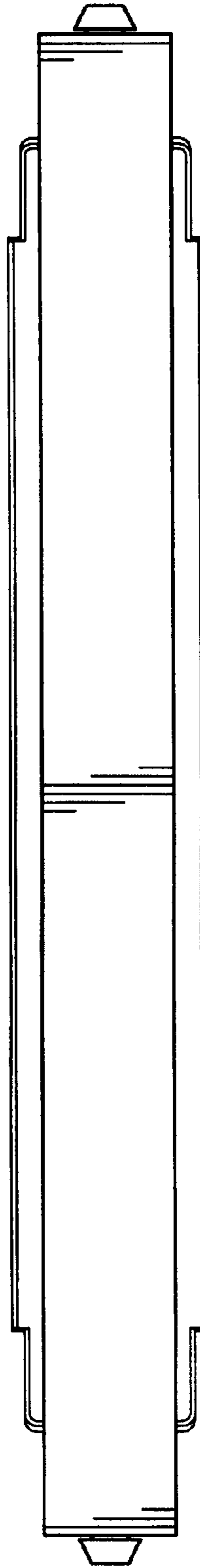


FIG. 7