



US00D455716S

(12) **United States Design Patent**  
**Gershfeld**

(10) **Patent No.:** **US D455,716 S**

(45) **Date of Patent:** **\*\* Apr. 16, 2002**

(54) **DOUBLE INTERCONNECT ENCLOSURE FOR COMPUTER AND AUDIO VISUAL EQUIPMENT CONCEALABLE IN FURNITURE**

*Primary Examiner*—Jennifer Rivard  
(74) *Attorney, Agent, or Firm*—Vladimir Khiterer

(57) **CLAIM**

The ornamental design for a double interconnect enclosure for computer and audio visual equipment concealable in furniture, as shown and described.

**DESCRIPTION**

FIG. 1 is a perspective view of a double interconnect enclosure for computer and audio visual equipment concealable in furniture in the open position. The broken lines are to illustrate an environment only and form no part of the claimed design.

FIG. 2 is a perspective view thereof in the concealed position. The broken lines are to illustrate an environment only and form no part of the claimed design.

FIG. 3 is a front elevational view thereof in the open position. The broken lines are to illustrate an environment only and form no part of the claimed design.

FIG. 4 is a front elevational view thereof in the concealed position. The broken lines are to illustrate an environment only and form no part of the claimed design.

FIG. 5 is a back elevational view thereof in the open position. The broken lines are to illustrate an environment only and form no part of the claimed design; and,

FIG. 6 is a top plan view thereof in the concealed position. The appearance of the bottom forms no part of the claimed design.

(76) **Inventor:** **Jack Gershfeld**, 615 Del Rio Way, Fullerton, CA (US) 92835

(\*) **Notice:** This patent is subject to a terminal disclaimer.

(\*\*) **Term:** **14 Years**

(21) **Appl. No.:** **29/140,348**

(22) **Filed:** **Apr. 18, 2001**

(51) **LOC (7) Cl.** ..... **13-03**

(52) **U.S. Cl.** ..... **D13/139.4**

(58) **Field of Search** ..... D13/139.4, 139.6–139.8; 439/131, 135, 638, 650–654, 142; 174/48, 49, 53, 58

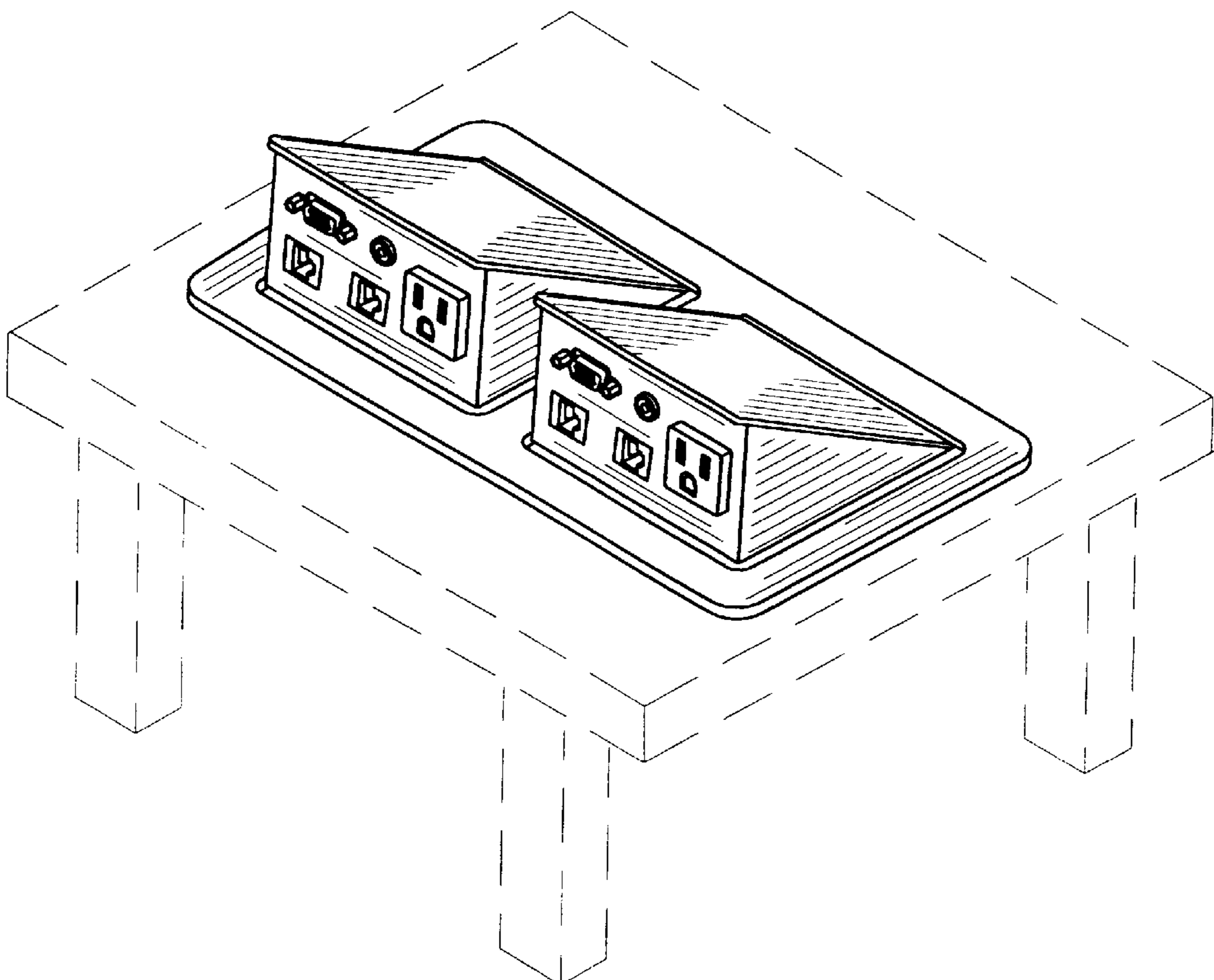
(56) **References Cited**

**U.S. PATENT DOCUMENTS**

5,122,069	A	*	6/1992	Brownlie et al.	.....	439/131
D353,363	S	*	12/1994	Toby	.....	D13/139.4
D412,697	S	*	8/1999	Byrne	.....	D13/139.4
6,162,071	A	*	12/2000	Muller	.....	439/142

\* cited by examiner

**1 Claim, 6 Drawing Sheets**



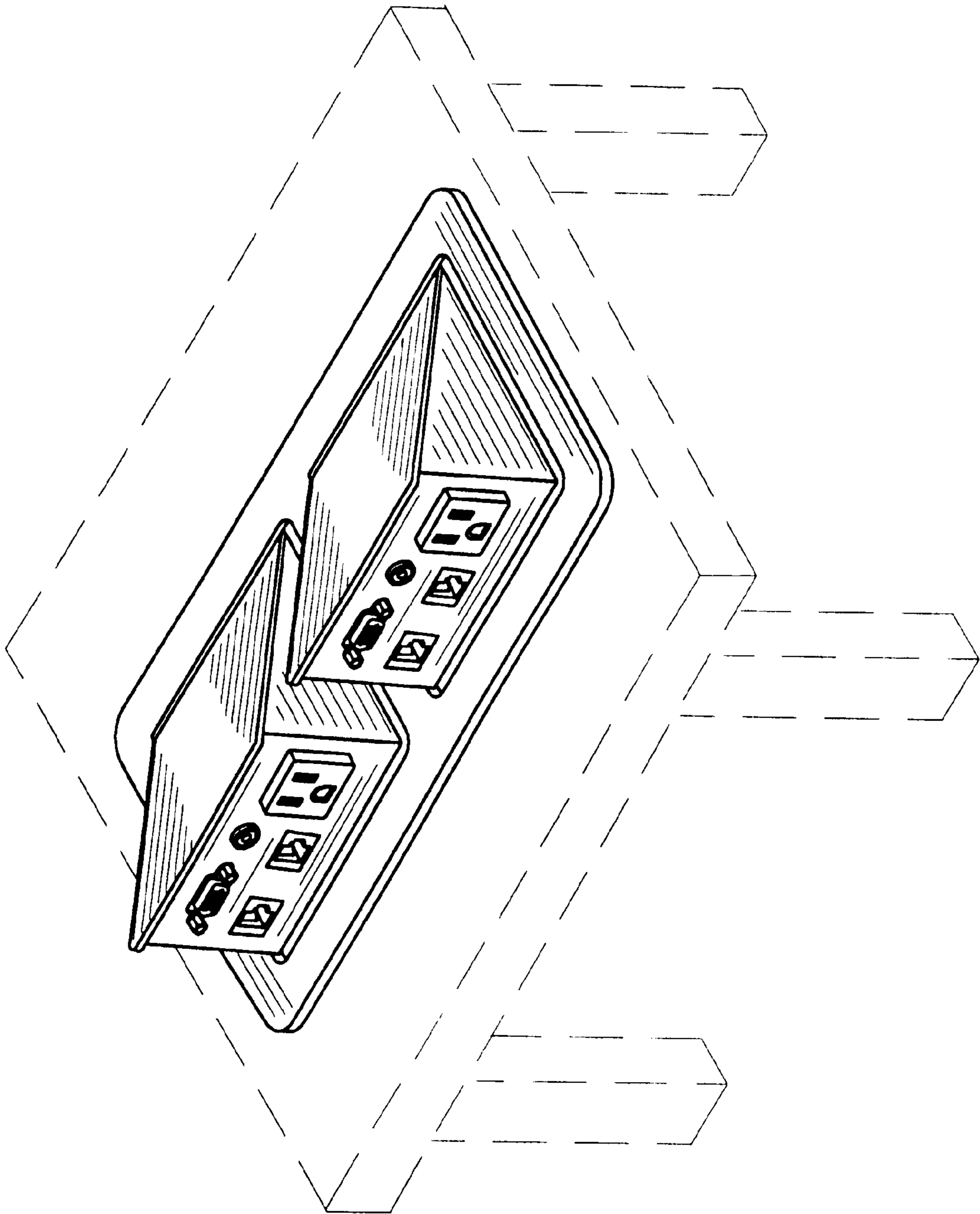


FIG.1

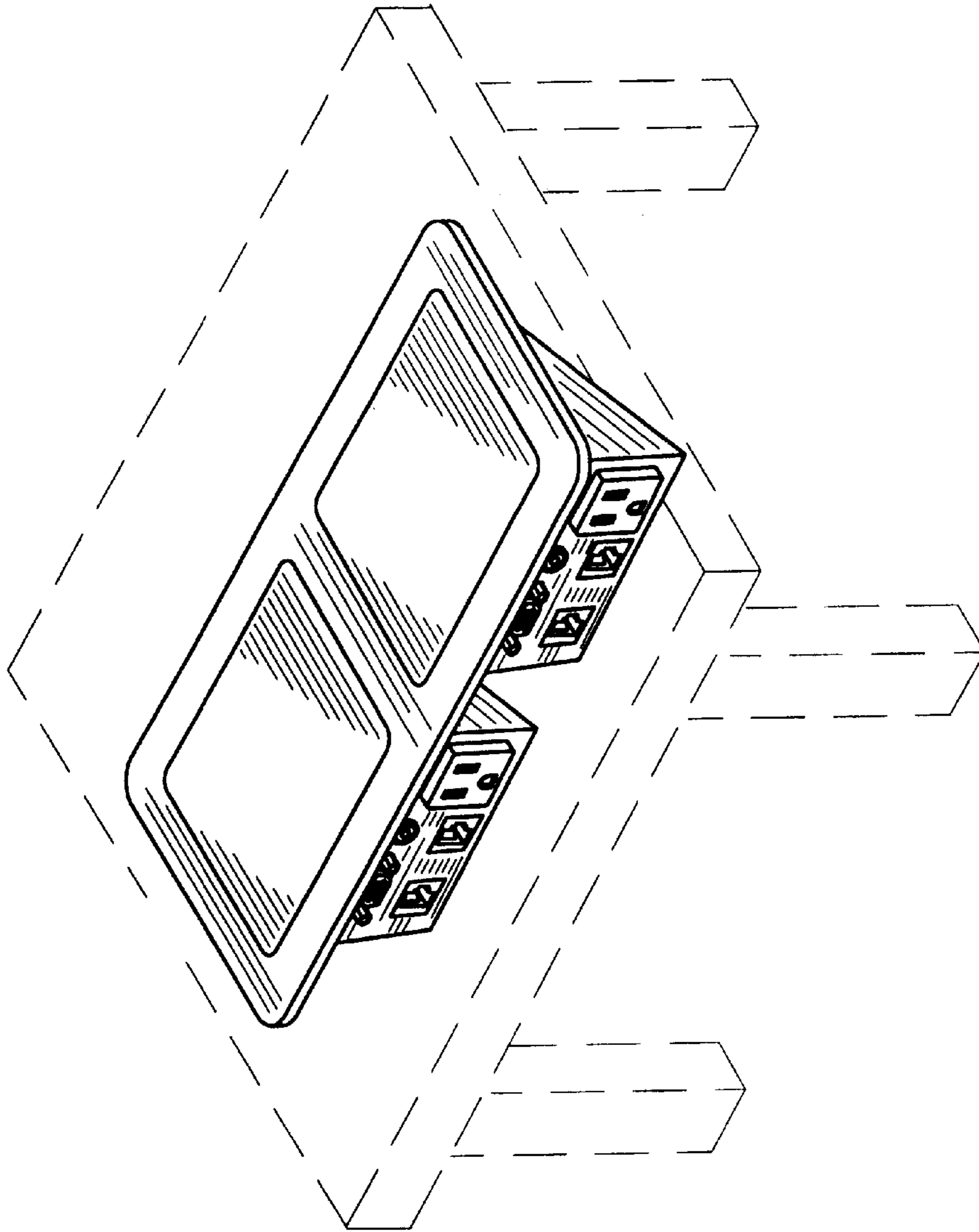


FIG.2

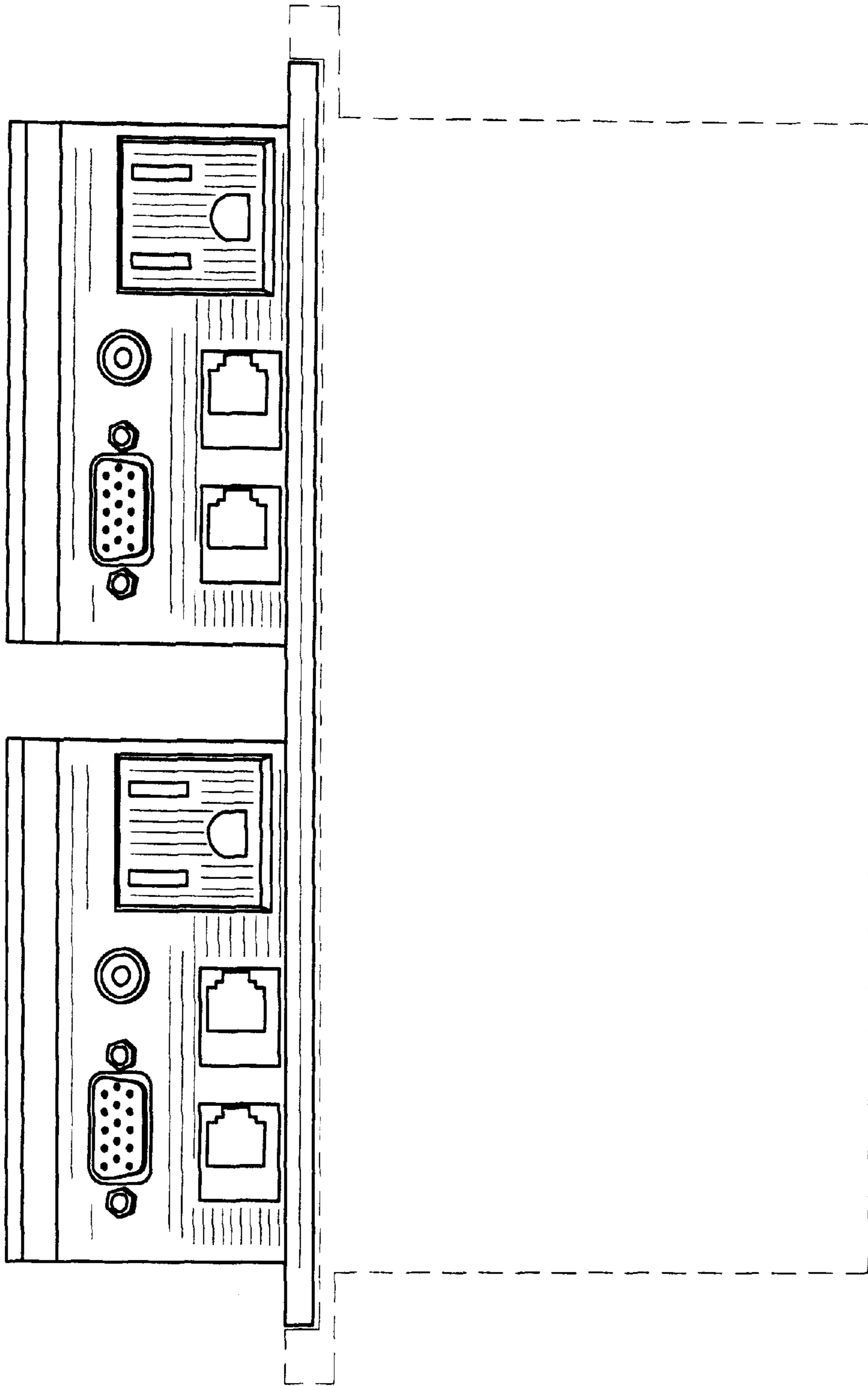


FIG.3

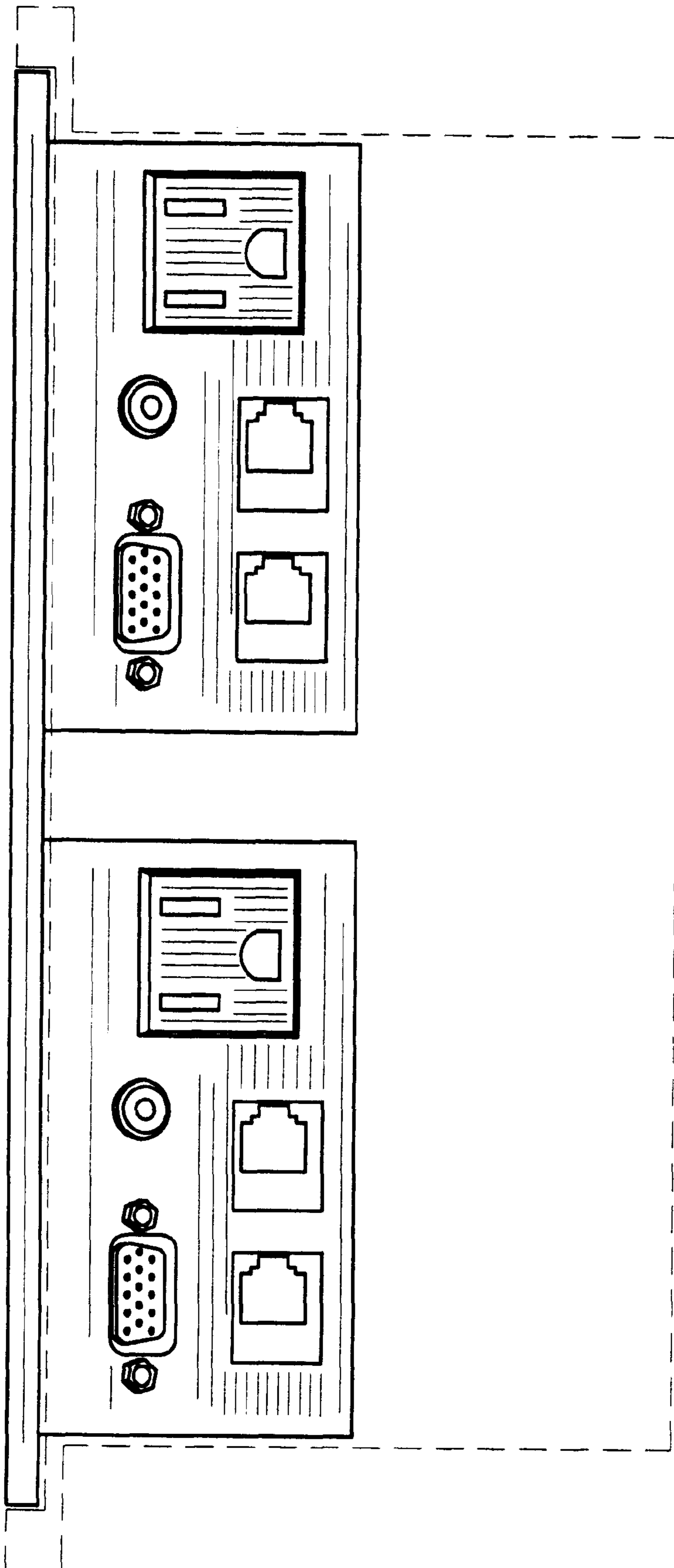


FIG.4

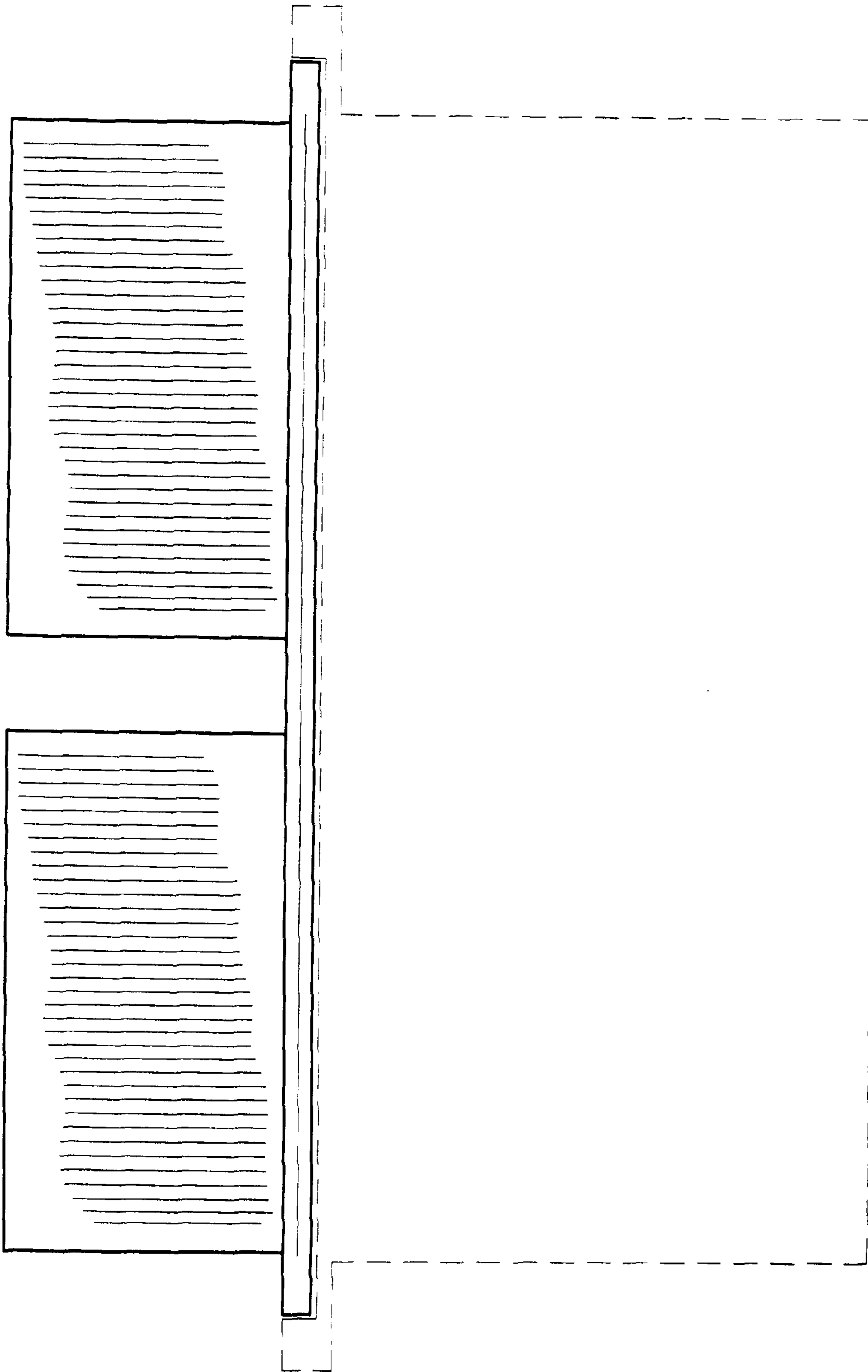


FIG.5

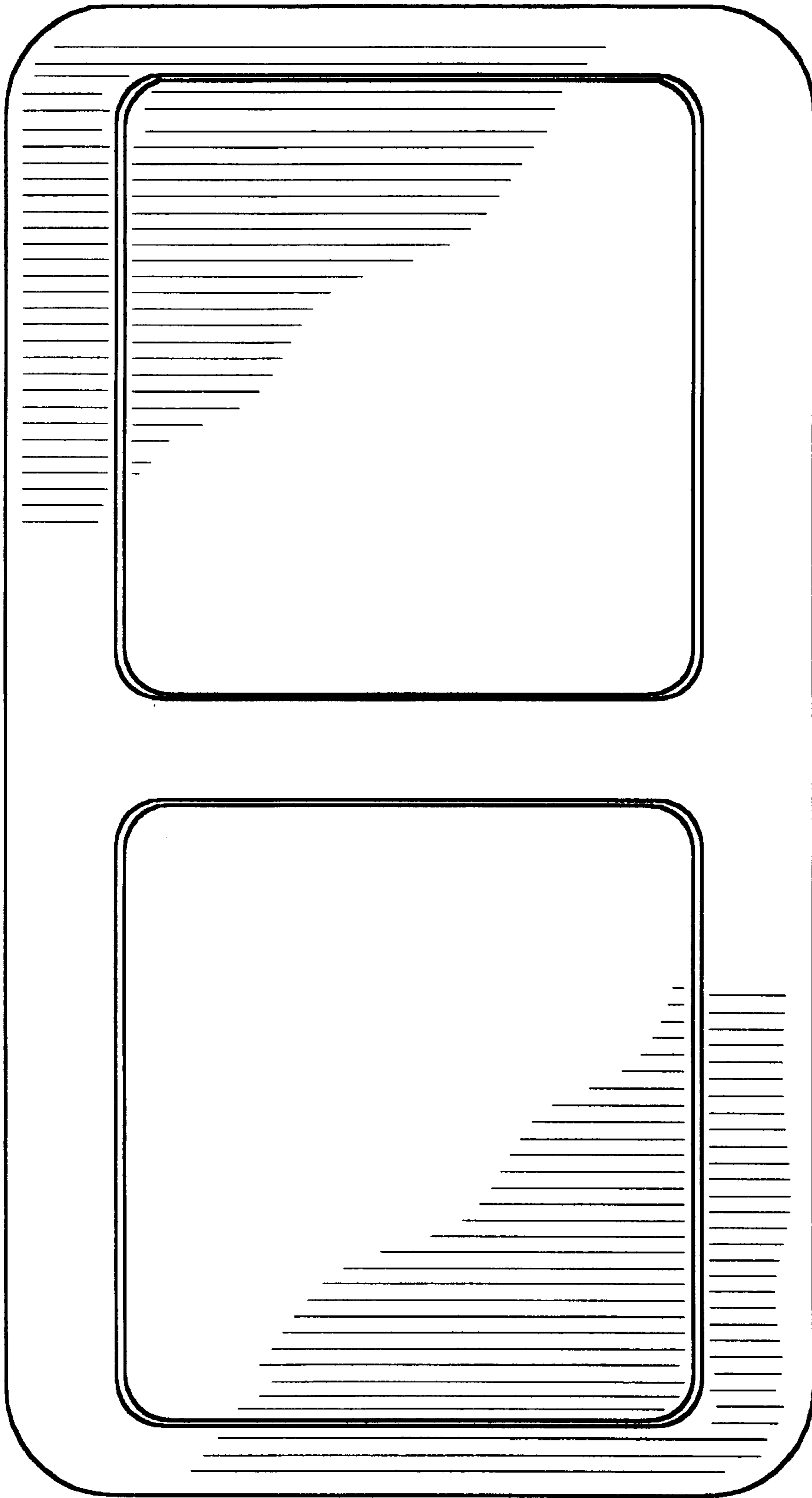


FIG. 6