



US00D455715S

(12) **United States Design Patent**
Sakai et al.

(10) **Patent No.:** **US D455,715 S**

(45) **Date of Patent:** **** Apr. 16, 2002**

(54) **BOBBIN FOR TRANSFORMER FOR ELECTRONIC DEVICE**

(75) Inventors: **Shinichi Sakai**, Nara; **Kazuho Sakamoto**, Kyoto, both of (JP)

(73) Assignee: **Matsushita Electric Industrial Co., Ltd.**, Osaka (JP)

(**) Term: **14 Years**

(21) Appl. No.: **29/123,740**

(22) Filed: **May 24, 2000**

(30) **Foreign Application Priority Data**

Nov. 29, 1999 (JP) 11-32934

(51) **LOC (7) Cl.** **13-02**

(52) **U.S. Cl.** **D13/118**

(58) **Field of Search** D13/118; 336/83, 336/192, 198, 208

(56) **References Cited**

U.S. PATENT DOCUMENTS

3,230,490	A	*	1/1966	Johnson	336/198
3,634,878	A	*	1/1972	Davis	336/192
4,462,016	A	*	7/1984	Bland et al.	336/192
4,745,388	A	*	5/1988	Billings et al.	336/192
4,890,085	A	*	12/1989	Saito et al.	336/192
D313,605	S	*	1/1991	Saito et al.	D15/78

5,570,075	A	*	10/1996	Krimmer et al.	336/83	X
5,670,925	A	*	9/1997	Gibbs	336/208	
5,952,907	A	*	9/1999	McWilliams et al.	336/83	
5,952,908	A	*	9/1999	Kubo	336/192	
5,999,079	A	*	12/1999	Wille	336/192	

FOREIGN PATENT DOCUMENTS

JP	809797	3/1991
JP	980494	5/1997

* cited by examiner

Primary Examiner—Joel Sincavage

(74) *Attorney, Agent, or Firm*—Christensen O'Connor Johnson Kindness PLLC

(57) **CLAIM**

The ornamental design for a bobbin for transformer for electronic device, as shown and described.

DESCRIPTION

FIG. 1 is a perspective view of the top, front and right side of a bobbin for transformer for electronic device showing our new design;

FIG. 2 is a front view thereof;

FIG. 3 is a rear view thereof;

FIG. 4 is a top plan view thereof;

FIG. 5 is a bottom view thereof;

FIG. 6 is a right side view thereof; and,

FIG. 7 is a left side view thereof.

1 Claim, 4 Drawing Sheets

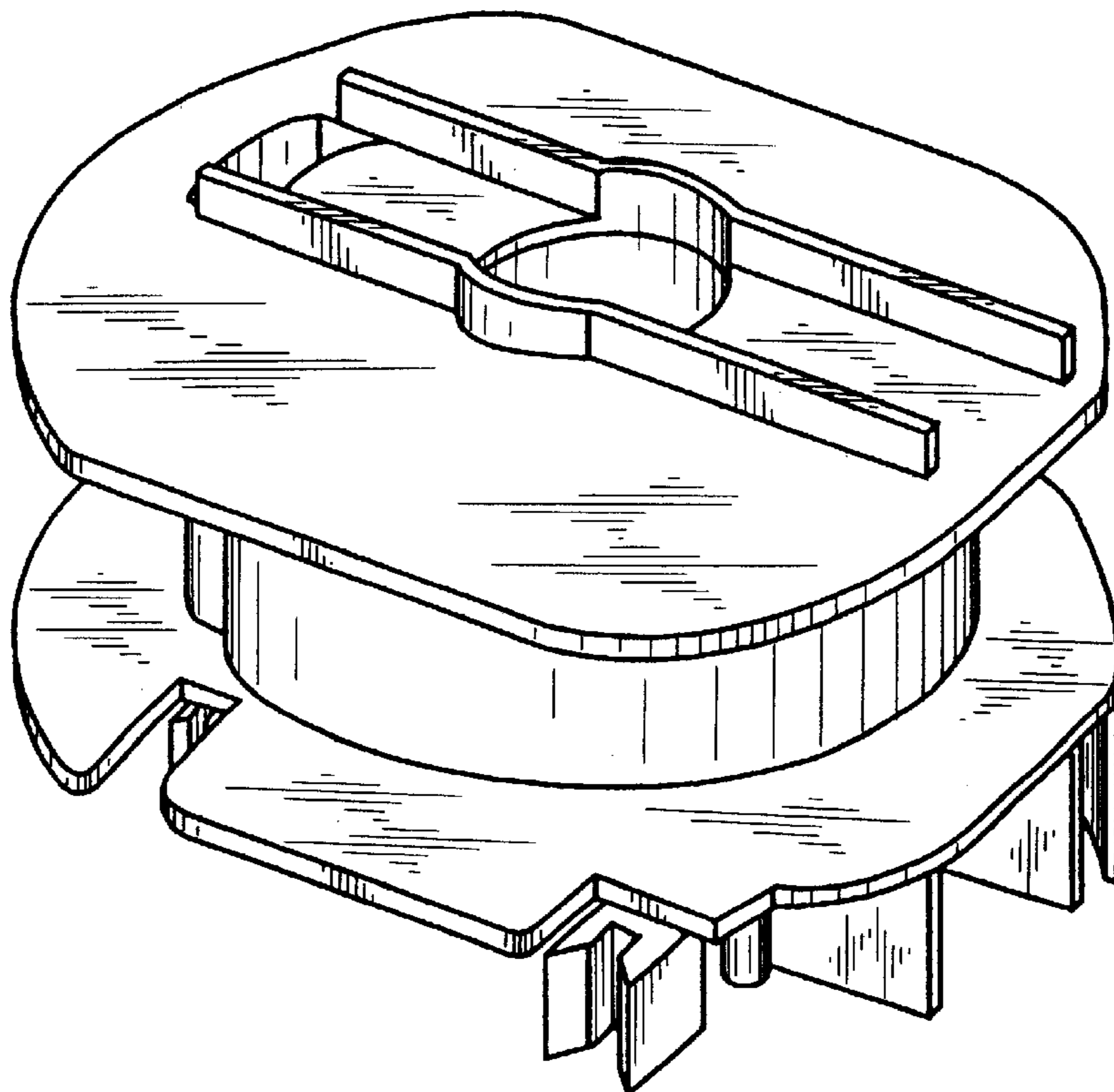


FIG. 1

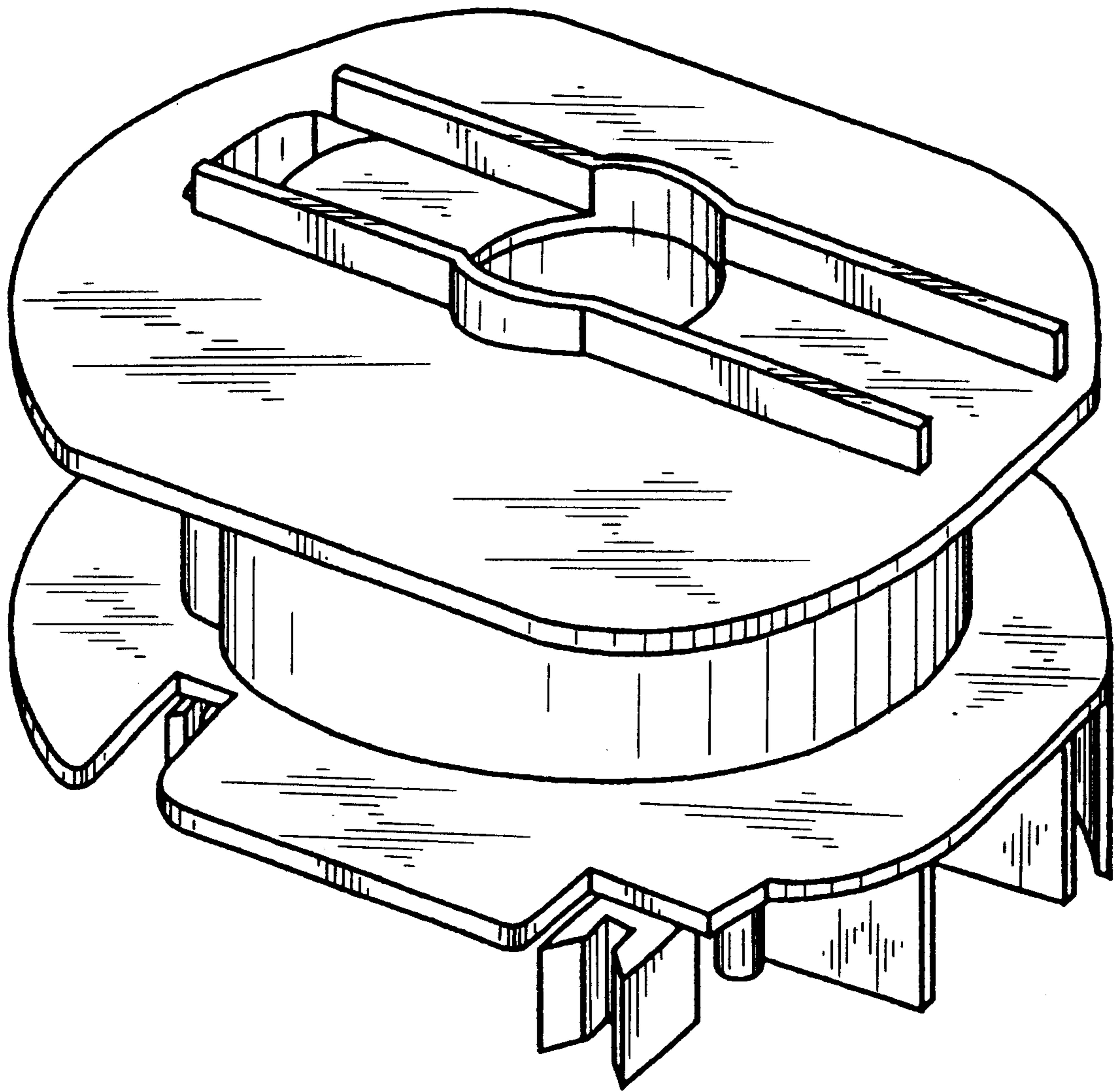


FIG. 2

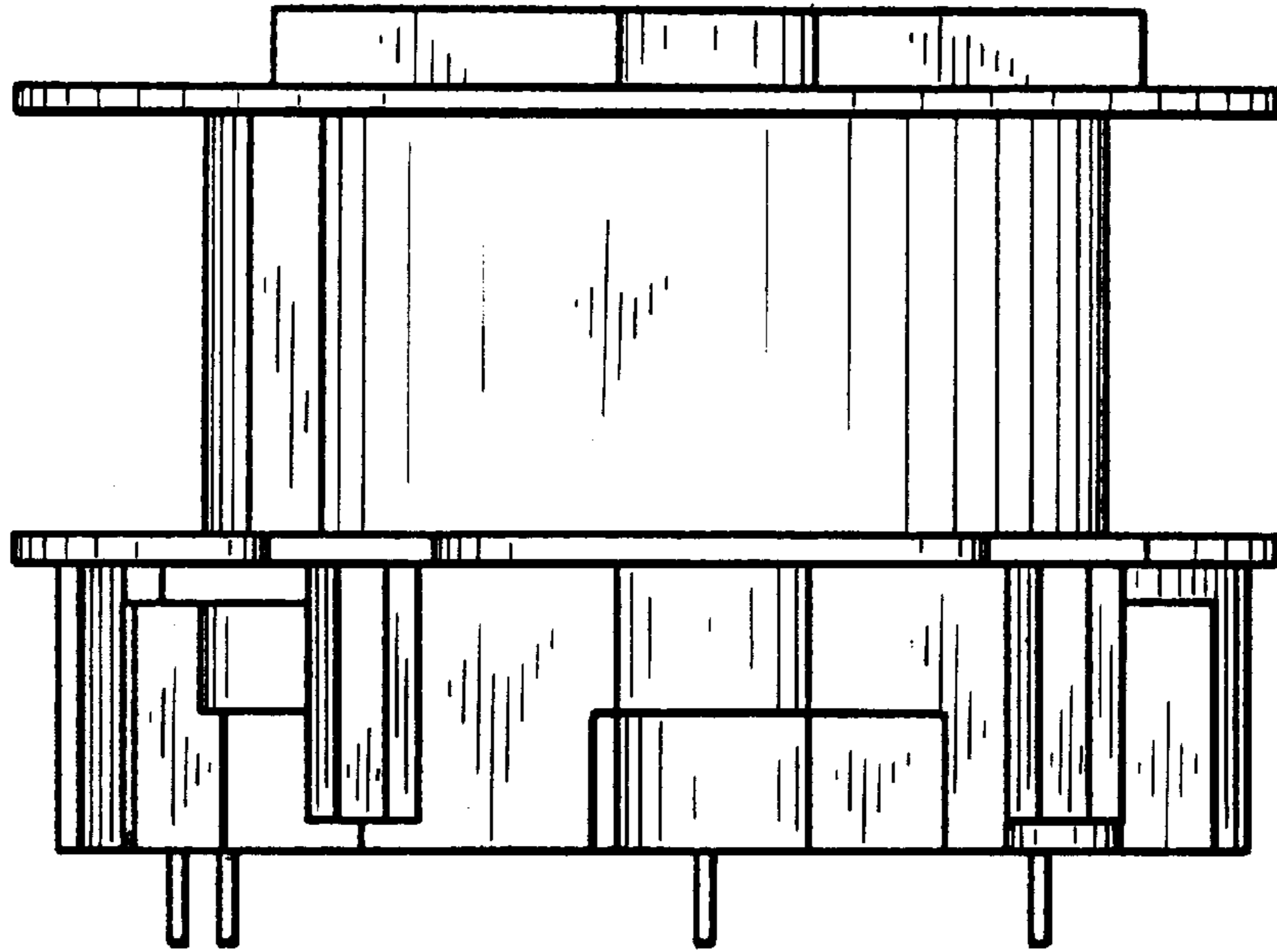


FIG. 3

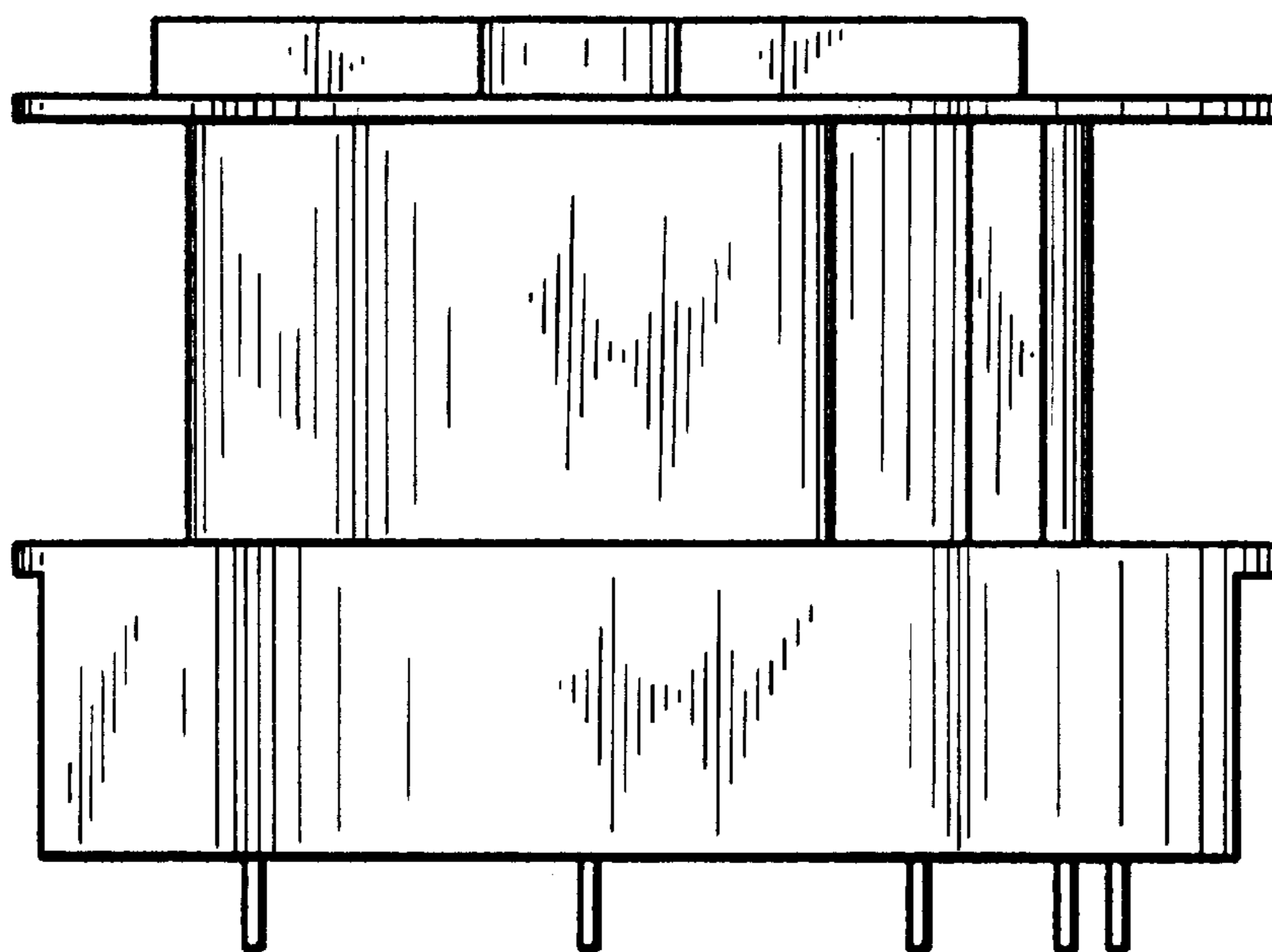


FIG. 4

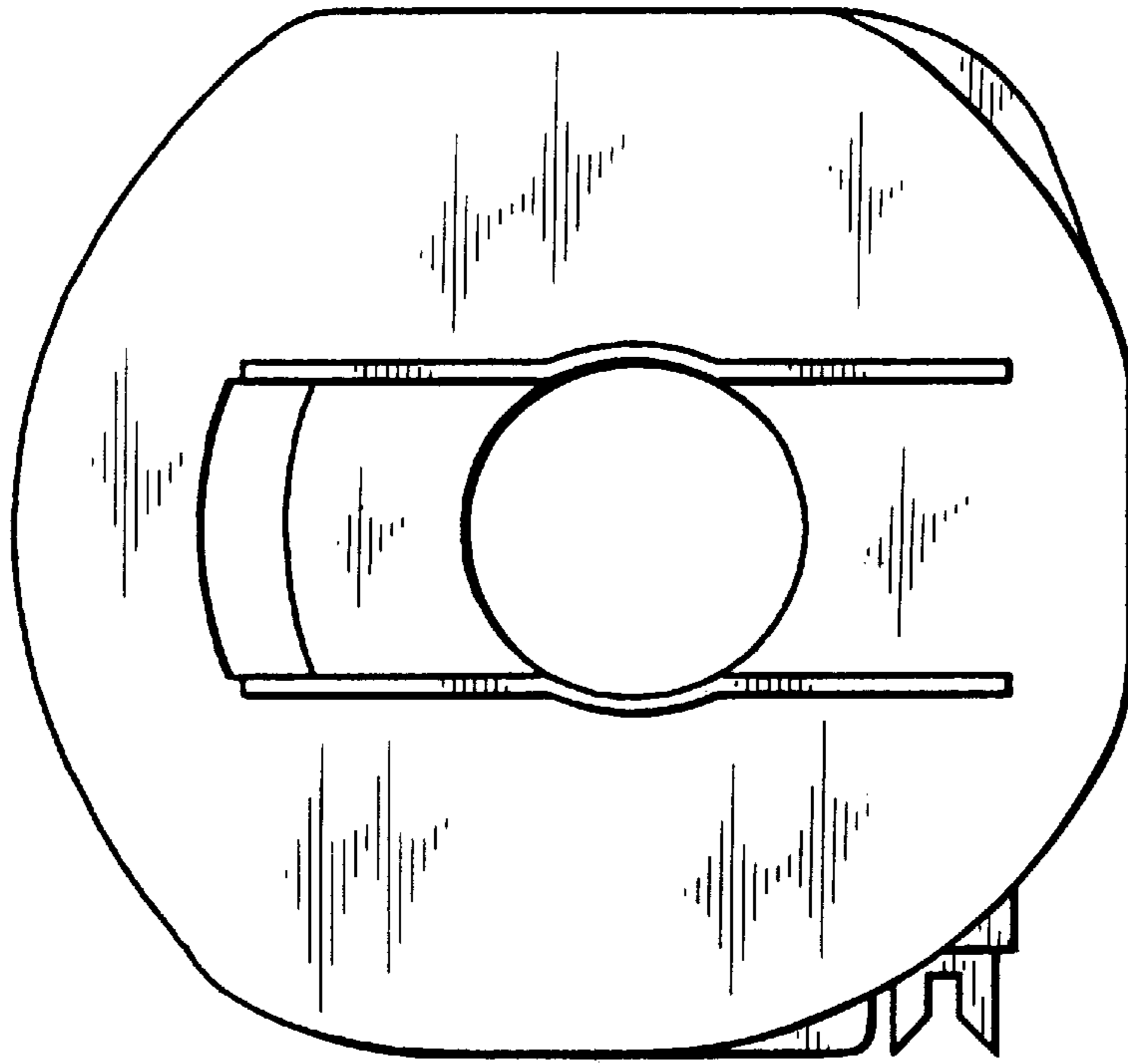


FIG. 5

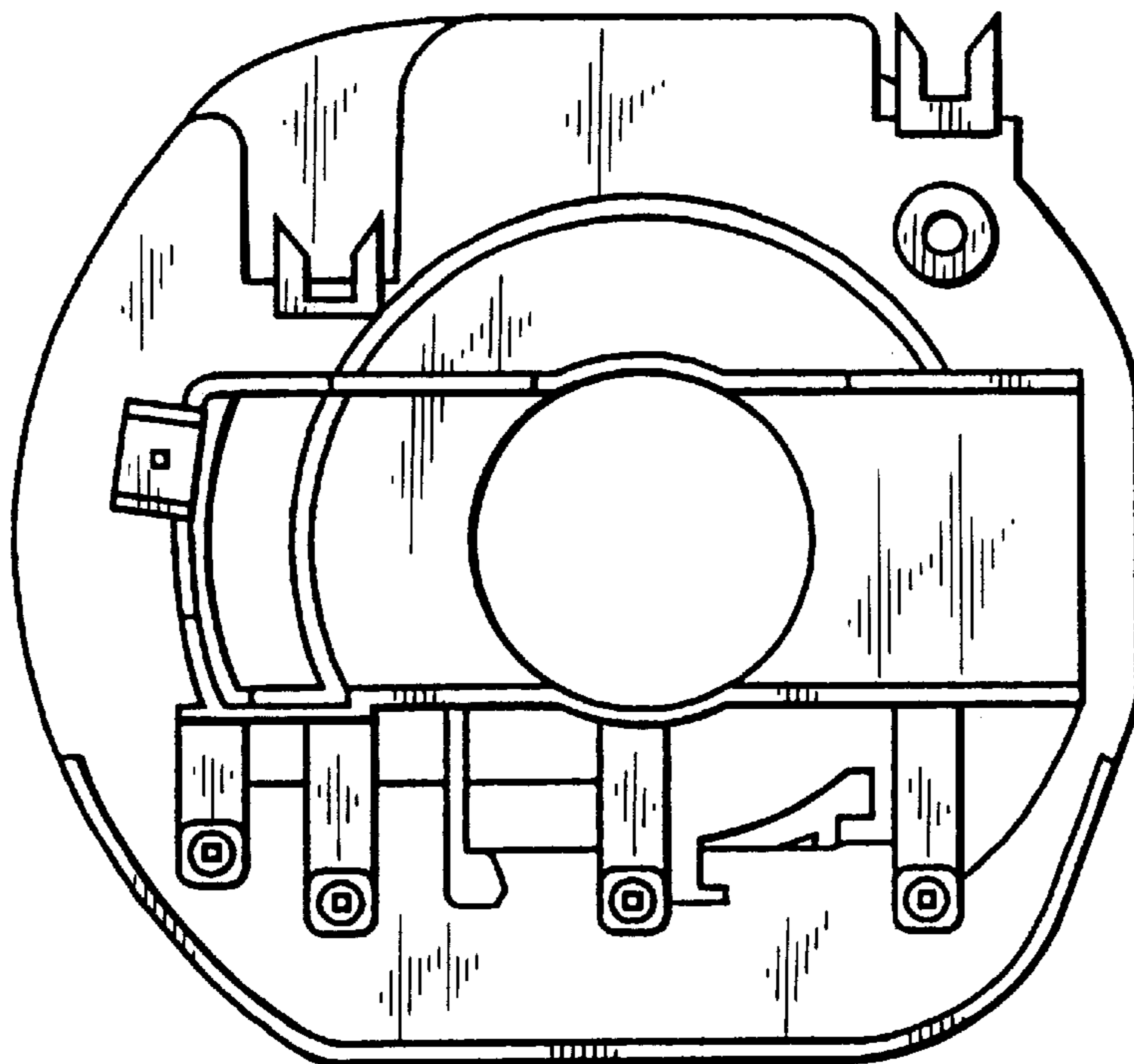


FIG. 6

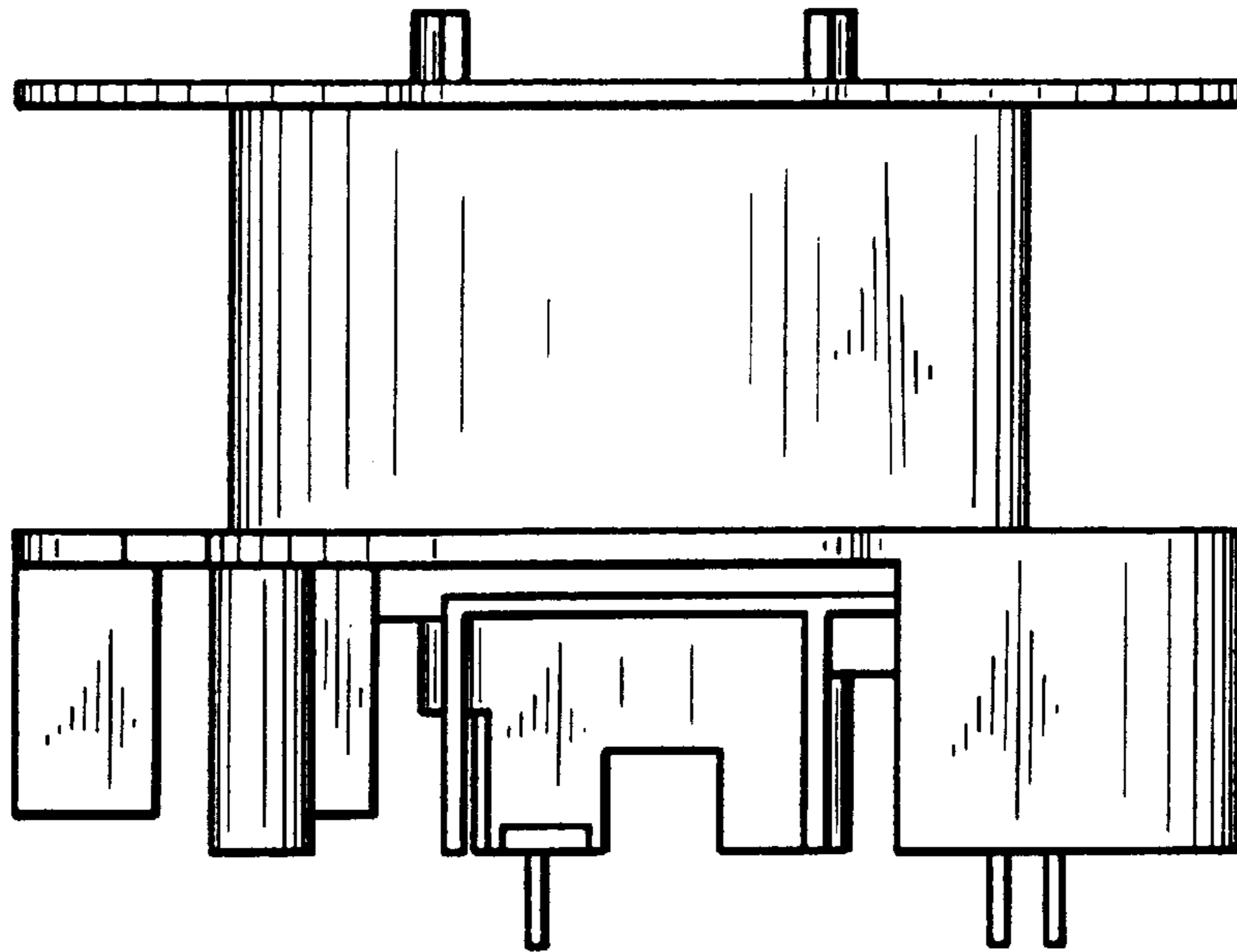


FIG. 7

