



US00D455711S

(12) **United States Design Patent**
Fuhr et al.

(10) **Patent No.:** **US D455,711 S**

(45) **Date of Patent:** **** Apr. 16, 2002**

(54) **LANTERN BATTERY HOUSING WITH
THREE TERMINAL POSTS**

4,724,189 A * 2/1988 Chase 429/99
4,861,685 A * 8/1989 Tien et al. 429/7

(75) Inventors: **Jay A. Fuhr**, Issaquah; **Richard A. Cook**, Bothell, both of WA (US)

(73) Assignee: **Sage Electronics and Technology, Inc.**, Redmond, WA (US)

(**) Term: **14 Years**

(21) Appl. No.: **29/142,568**

(22) Filed: **May 29, 2001**

(51) **LOC (7) Cl.** **13-02**

(52) **U.S. Cl.** **D13/103**

(58) **Field of Search** D13/103; 429/7,
429/96-100, 159, 163, 176, 178

(56) **References Cited**

U.S. PATENT DOCUMENTS

- 2,355,197 A * 8/1944 Anthony et al. 429/159 X
- 3,056,850 A * 10/1962 Rauske et al. 429/159 X
- 3,650,841 A * 3/1972 Brindley 429/159
- 3,977,907 A * 8/1976 Roth et al. 429/7
- 4,117,203 A * 9/1978 Sjogren 429/7
- 4,121,017 A * 10/1978 Dougherty et al. 429/7
- 4,253,232 A * 3/1981 Bennett et al. 29/623.1
- 4,678,728 A * 7/1987 Christopulos 429/121

OTHER PUBLICATIONS

Power Sonic, Rechargeable Sealed Lead-Acid Battery, flyer, 2 pages, Redwood City, CA, USA, Sep. 5, 1997,
Power Sonic, Rechargeable Sealed Lead-Acid Battery, flyer, 2 pages, Redwood City, CA, USA, Jun. 10, 1999.

* cited by examiner

Primary Examiner—Joel Sincavage

(74) *Attorney, Agent, or Firm*—Gregory W. Moravan

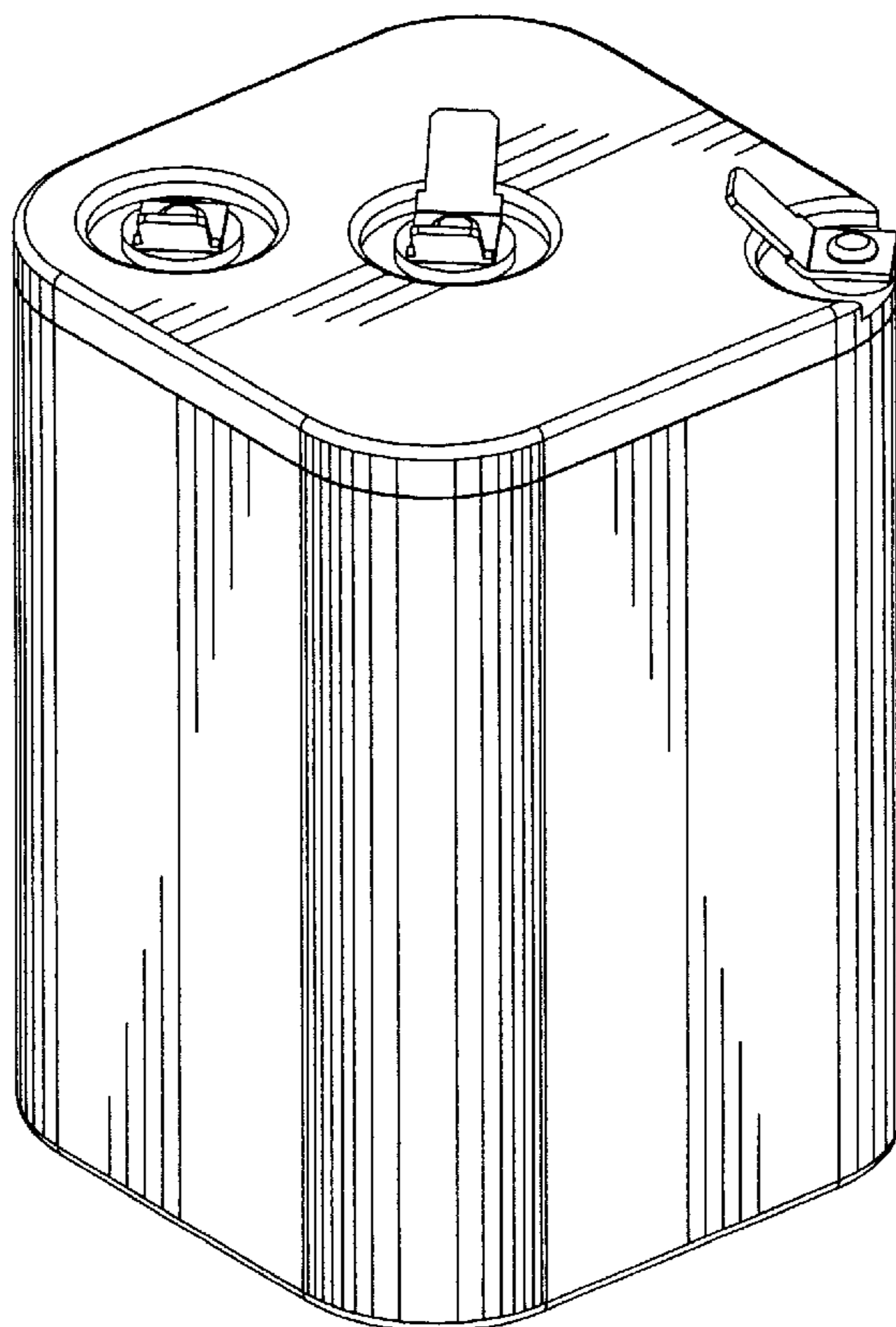
(57) **CLAIM**

The ornamental design for a lantern battery housing with three terminal posts, as shown and described.

DESCRIPTION

FIG. 1 is a perspective view of a lantern battery housing with three posts, showing our design;
FIG. 2 is a top view thereof;
FIG. 3 is a bottom view thereof;
FIG. 4 is a right side view thereof;
FIG. 5 is a left side view thereof;
FIG. 6 is a front view thereof; and,
FIG. 7 is a back view thereof.

1 Claim, 7 Drawing Sheets



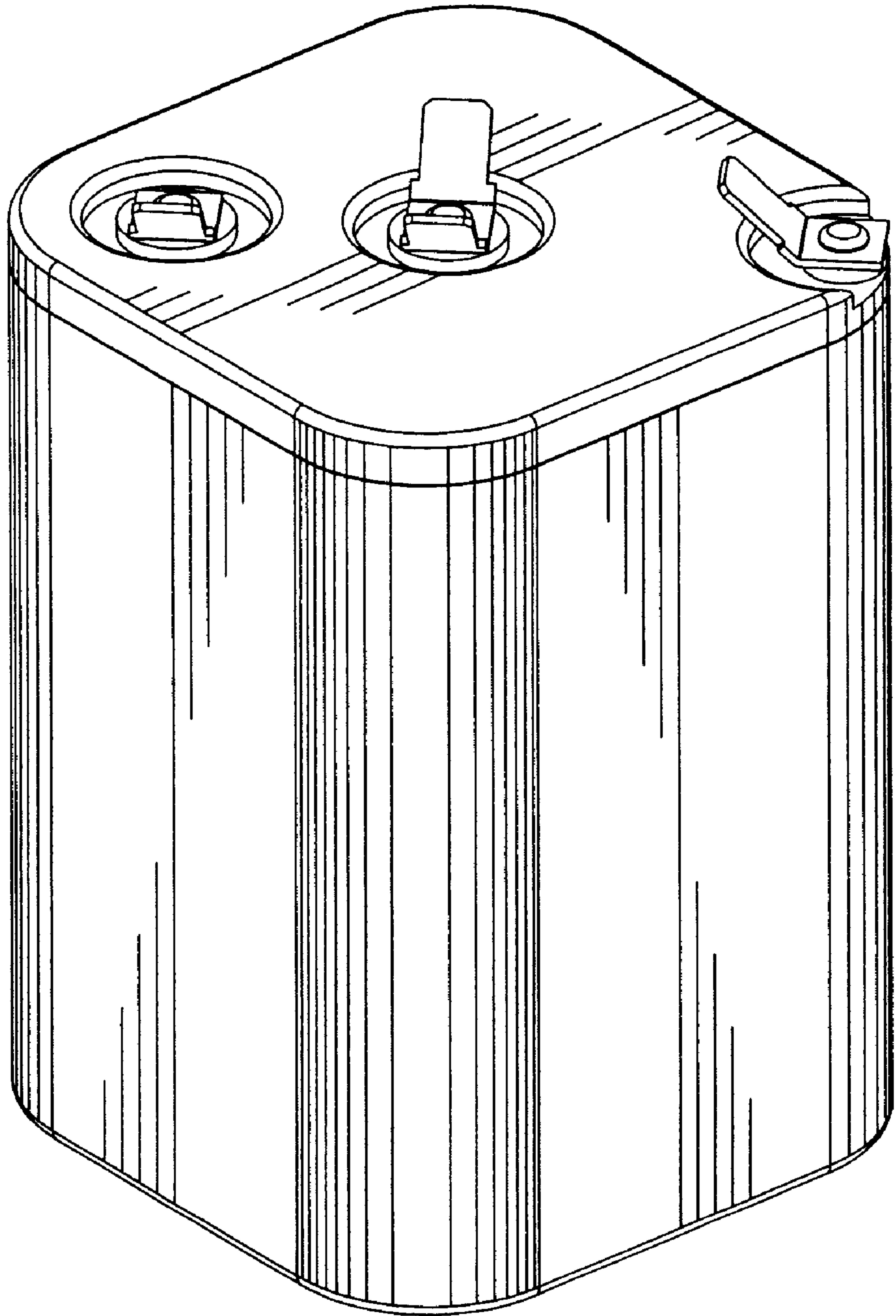


FIGURE 1

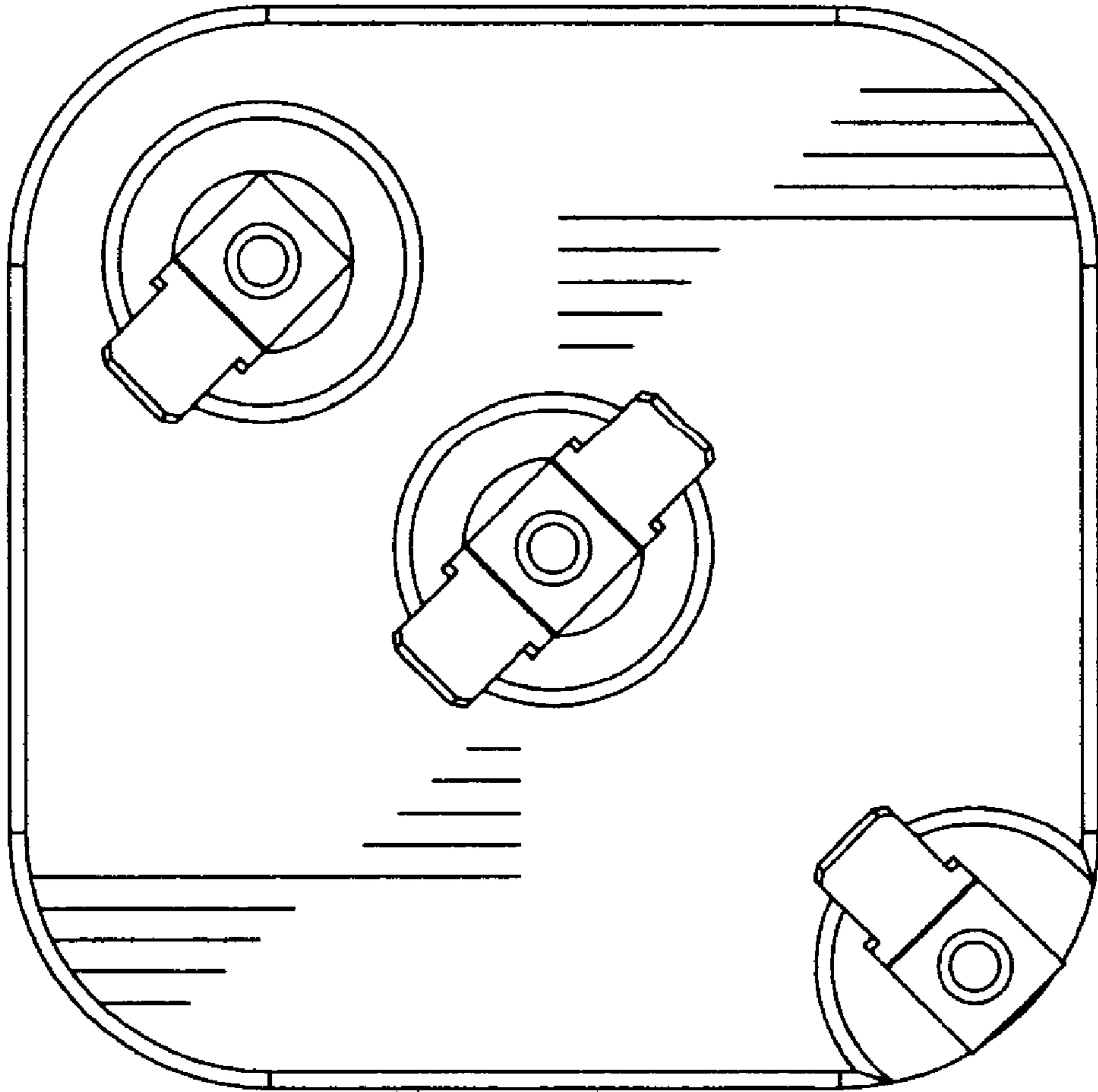


FIGURE 2

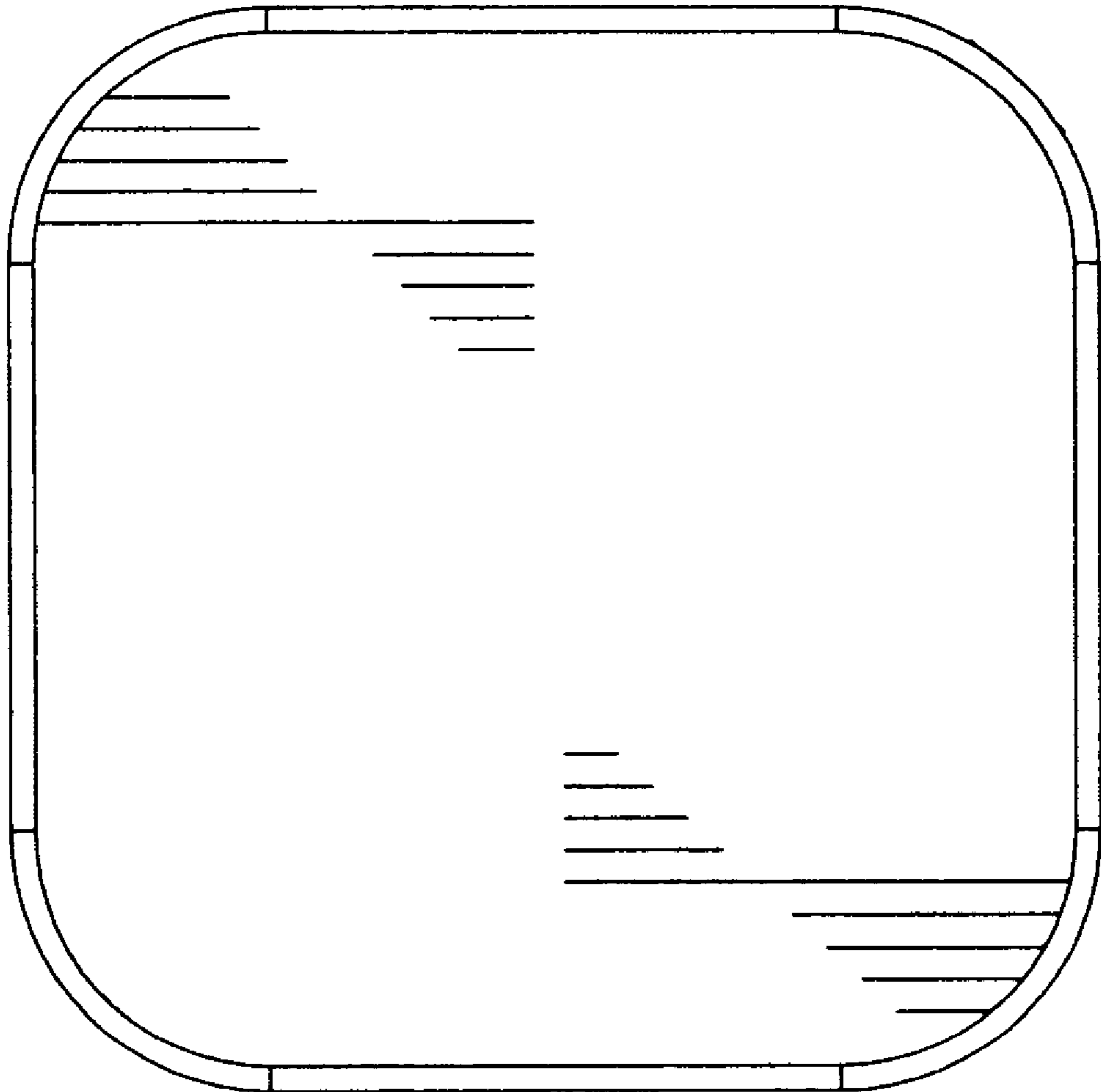


FIGURE 3

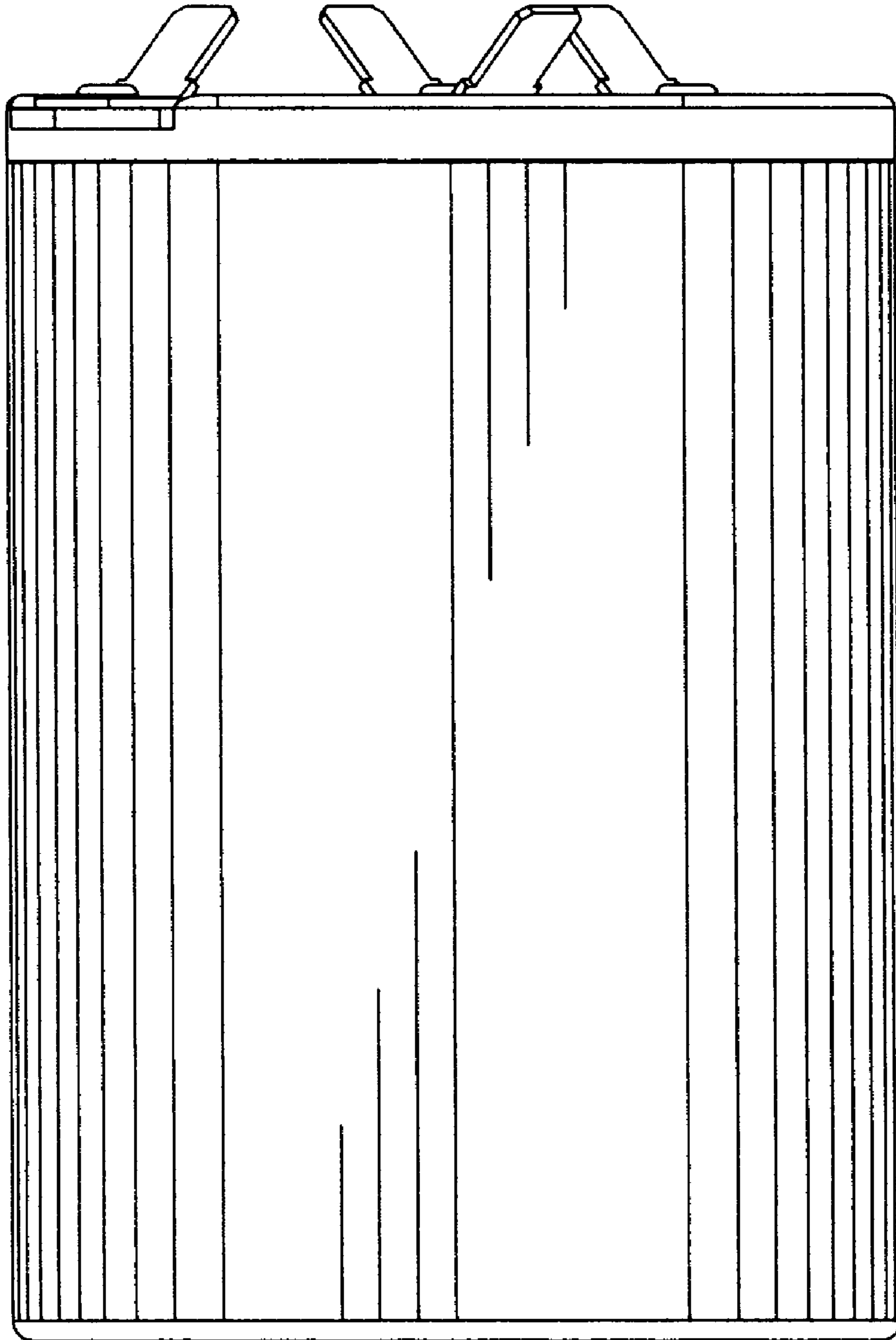


FIGURE 4

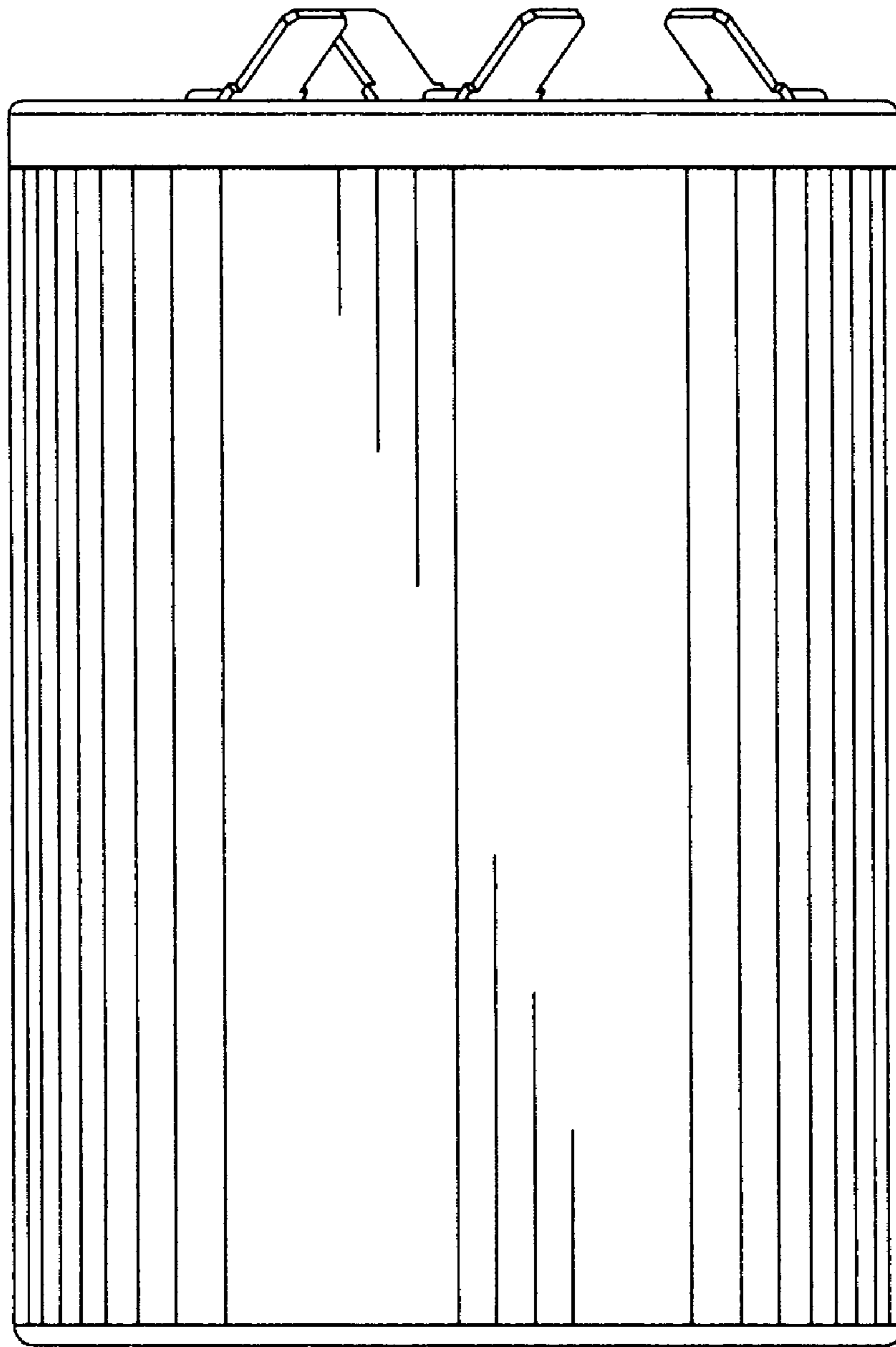


FIGURE 5

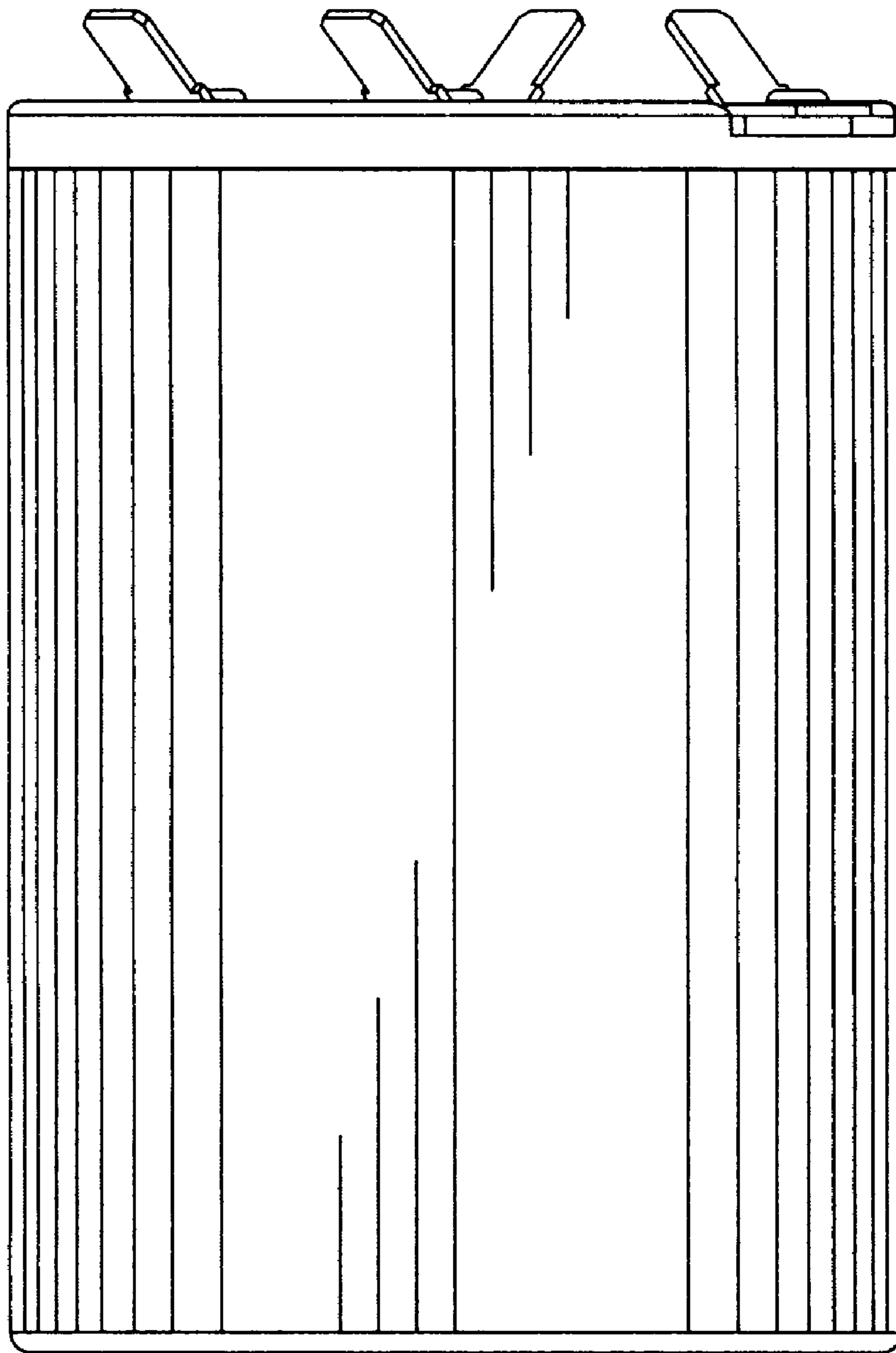


FIGURE 6

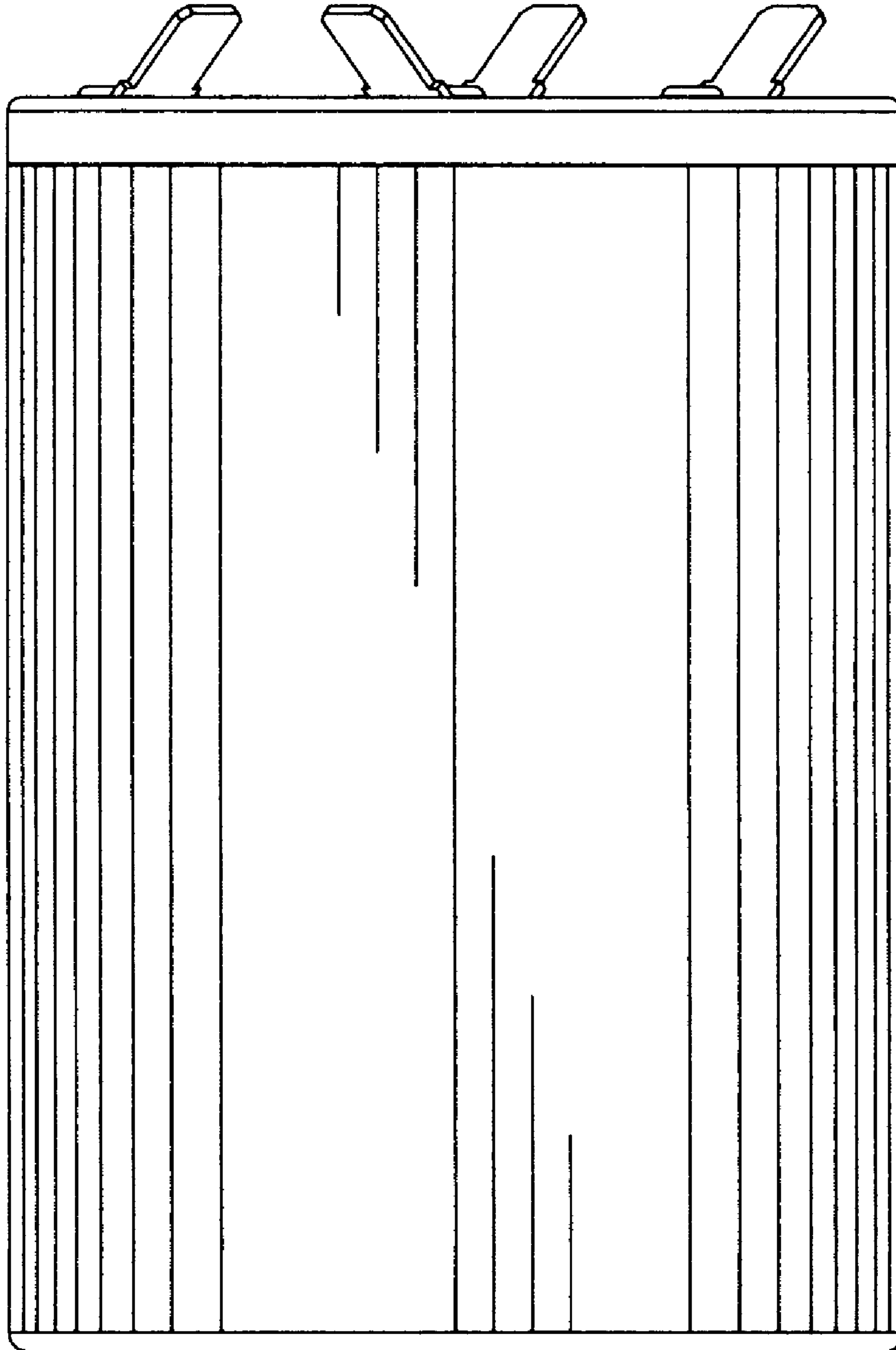


FIGURE 7