



US00D455707S

(12) **United States Design Patent**
Sartore

(10) **Patent No.:** **US D455,707 S**

(45) **Date of Patent:** **** Apr. 16, 2002**

(54) **BOTTLE CARRIER**

(75) Inventor: **Almerigo Sartore**, Fontaniva (IT)

(73) Assignee: **Elite S.r.l.**, Fontaniva (IT)

(**) Term: **14 Years**

(21) Appl. No.: **29/140,880**

(22) Filed: **Apr. 25, 2001**

(51) **LOC (7) Cl.** **12-16**

(52) **U.S. Cl.** **D12/411**

(58) **Field of Search** D12/114, 411;
224/414, 419-427, 441, 443; 248/311.3,
450

(56) **References Cited**

U.S. PATENT DOCUMENTS

D337,288 S * 7/1993 Ringle' D12/114
D348,641 S * 7/1994 Tsushi D12/114

FOREIGN PATENT DOCUMENTS

IT VI990000054 9/1999

* cited by examiner

Primary Examiner—Alan P. Douglas

Assistant Examiner—Linda Brooks

(74) *Attorney, Agent, or Firm*—R. Neil Sudol; Henry Coleman; William Sapone

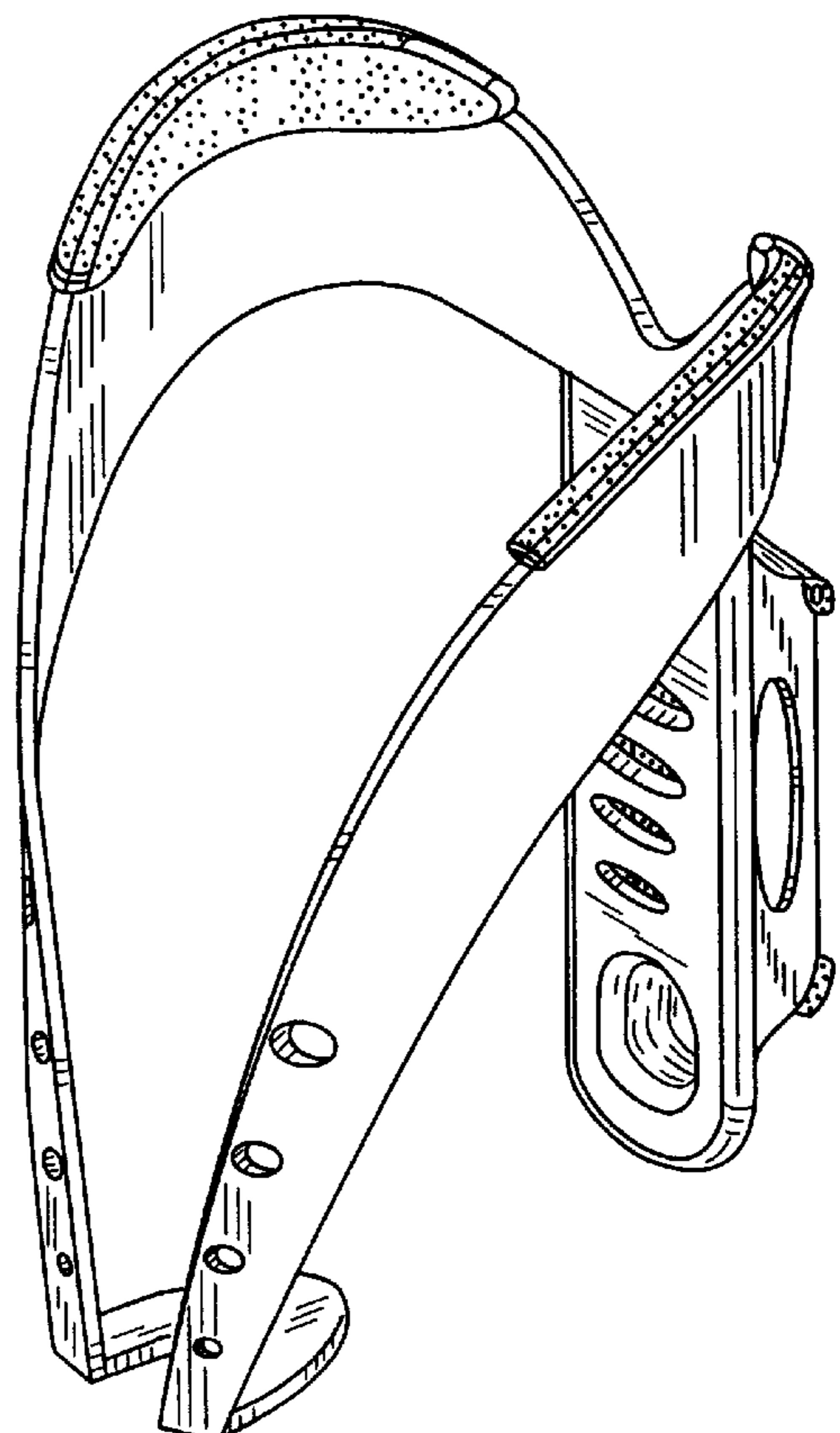
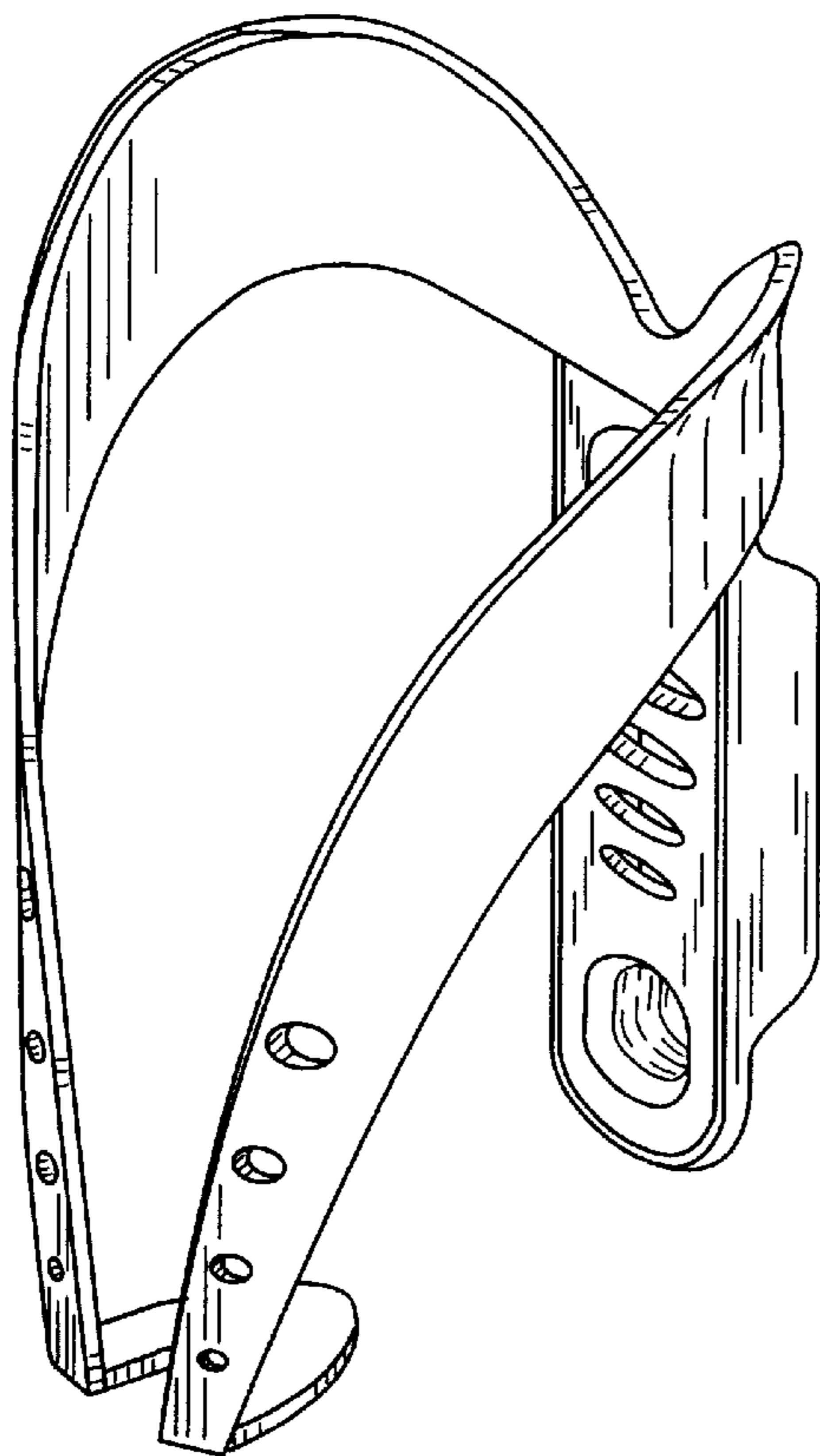
(57) **CLAIM**

The ornamental design for a bottle carrier, as shown and described.

DESCRIPTION

FIG. 1 is a top, front, and right side perspective view of a bottle carrier, showing my new design;
FIG. 2 is a front elevational view thereof;
FIG. 3 is a rear elevational view thereof;
FIG. 4 is a right side elevational view thereof;
FIG. 5 is a left side elevational view thereof;
FIG. 6 is a top plan view thereof;
FIG. 7 is a bottom plan view thereof;
FIG. 8 is a top, front, and right side perspective view of another embodiment of a bottle carrier, showing my new design;
FIG. 9 is a front elevational view thereof;
FIG. 10 is a rear elevational view thereof;
FIG. 11 is a right side elevational view thereof;
FIG. 12 is a left side elevational view thereof;
FIG. 13 is a top plan view thereof; and,
FIG. 14 is a bottom plan view thereof.

1 Claim, 5 Drawing Sheets



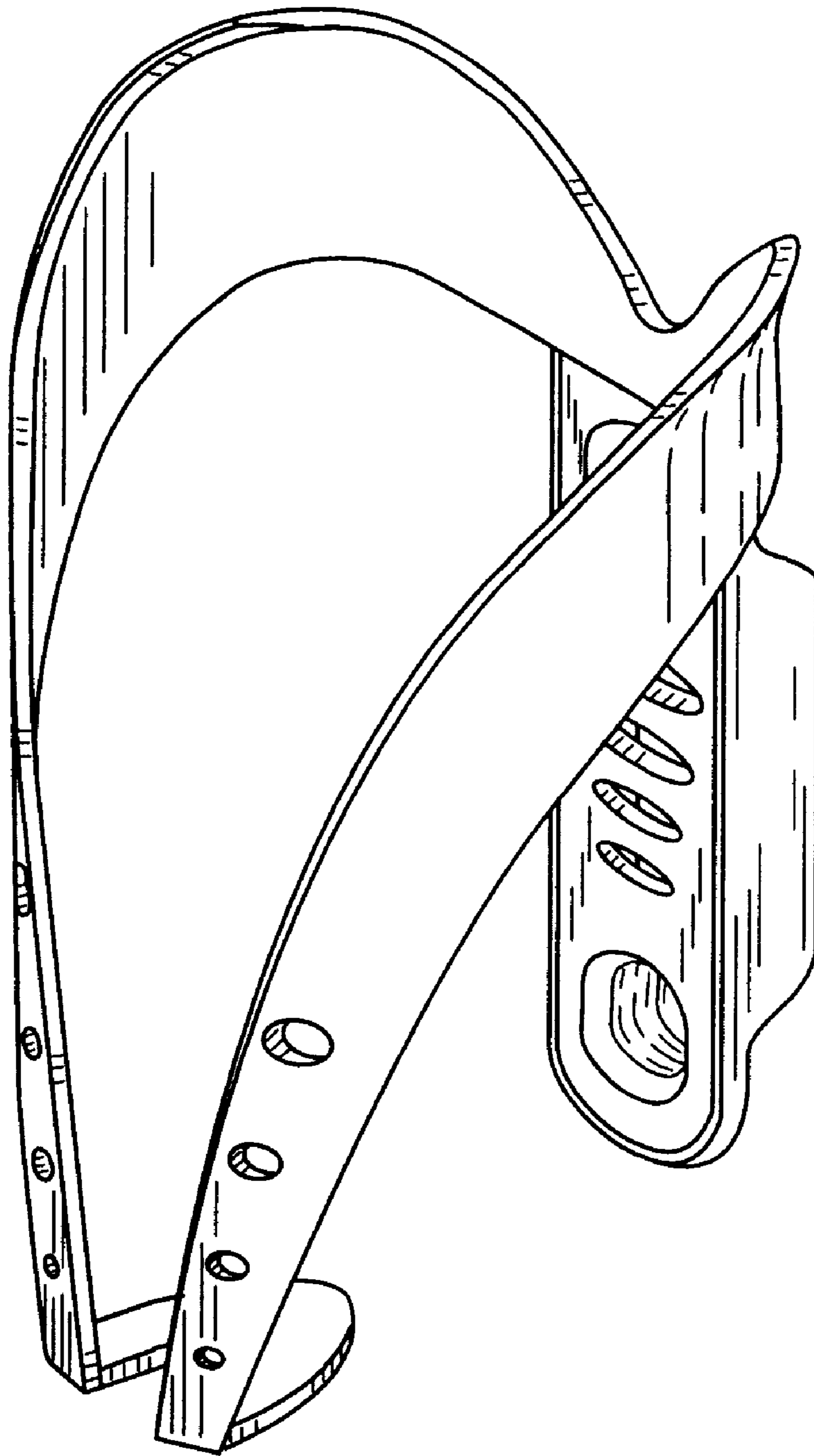


FIG. 1

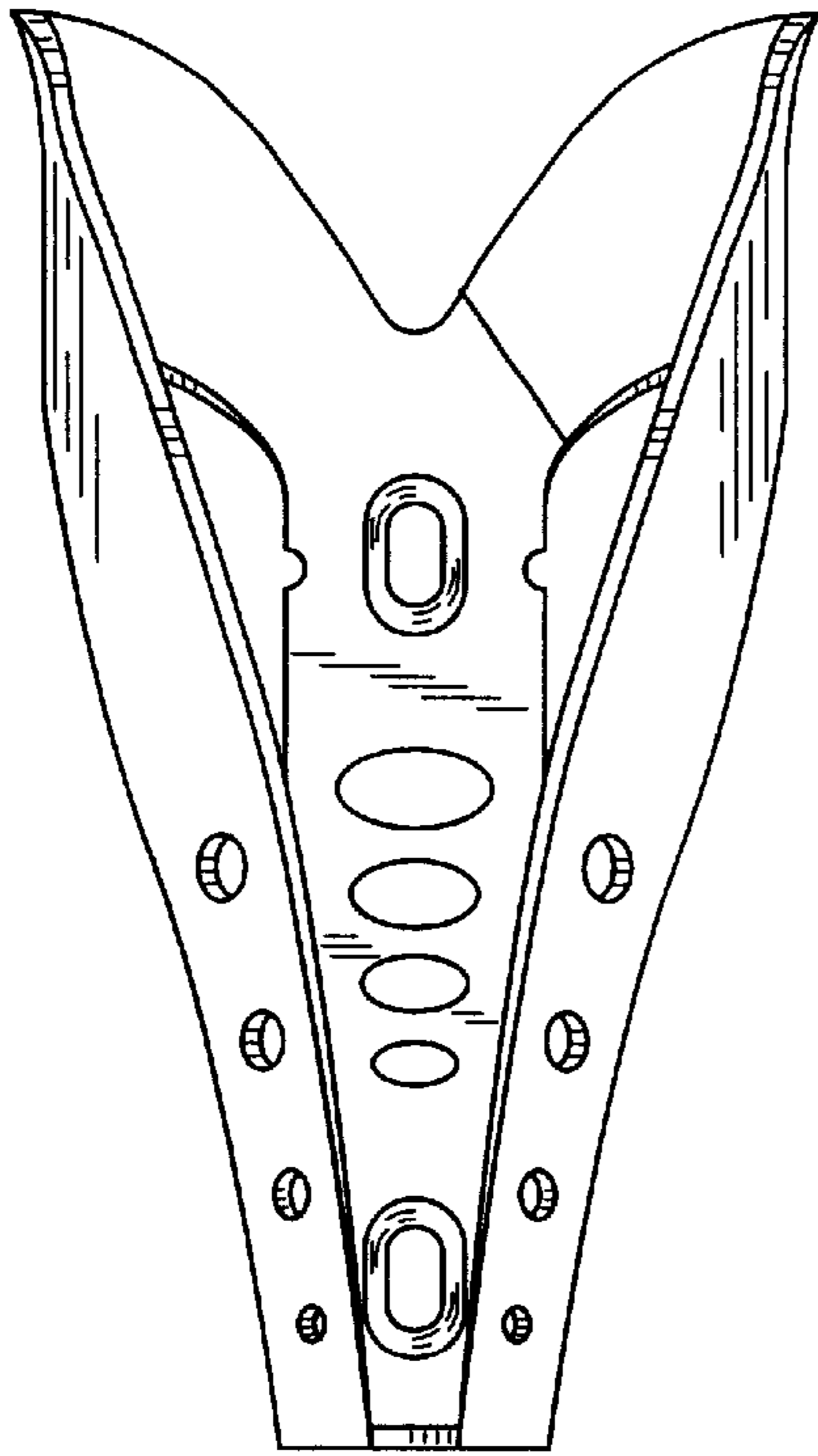


FIG. 2

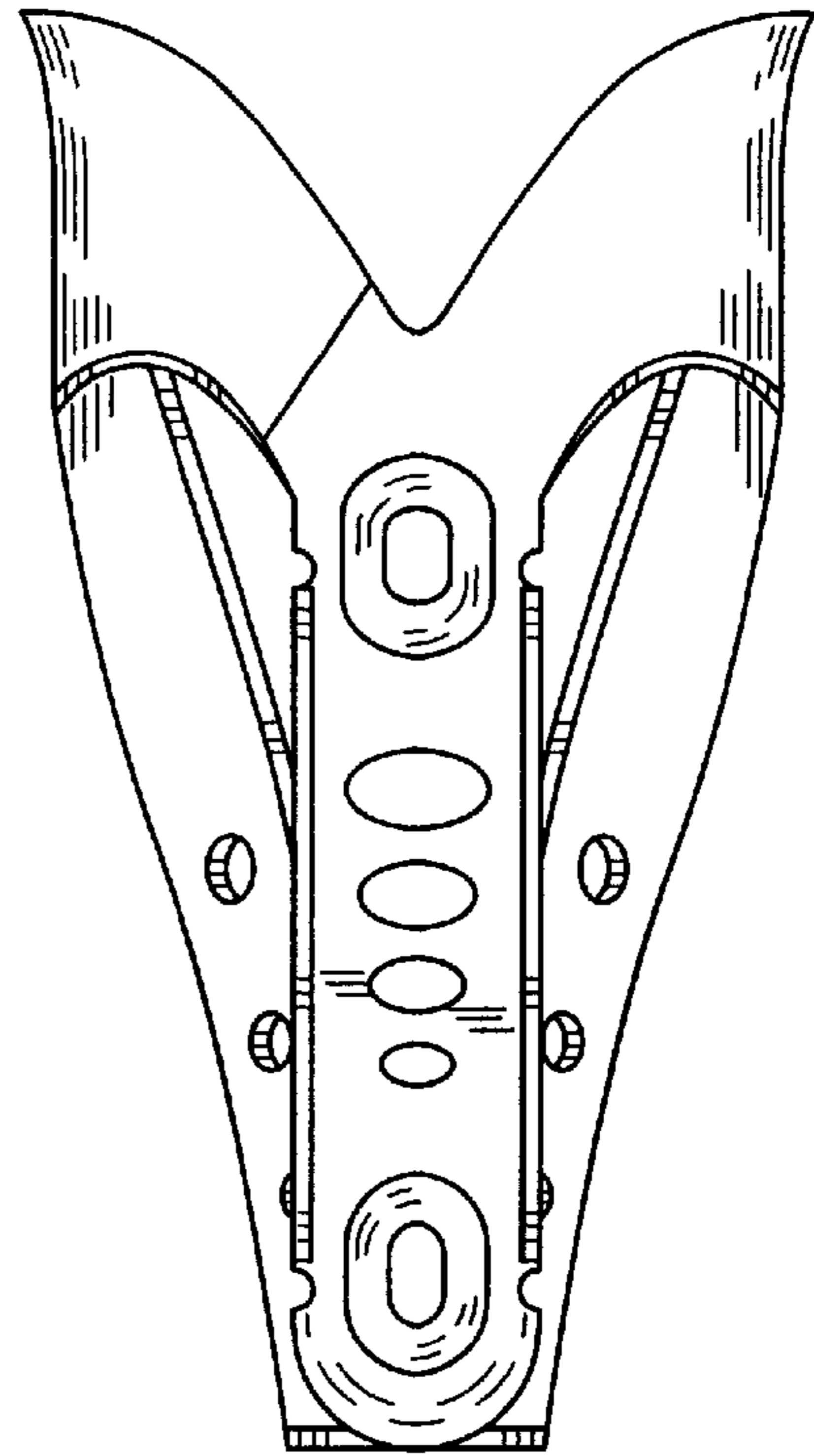


FIG. 3

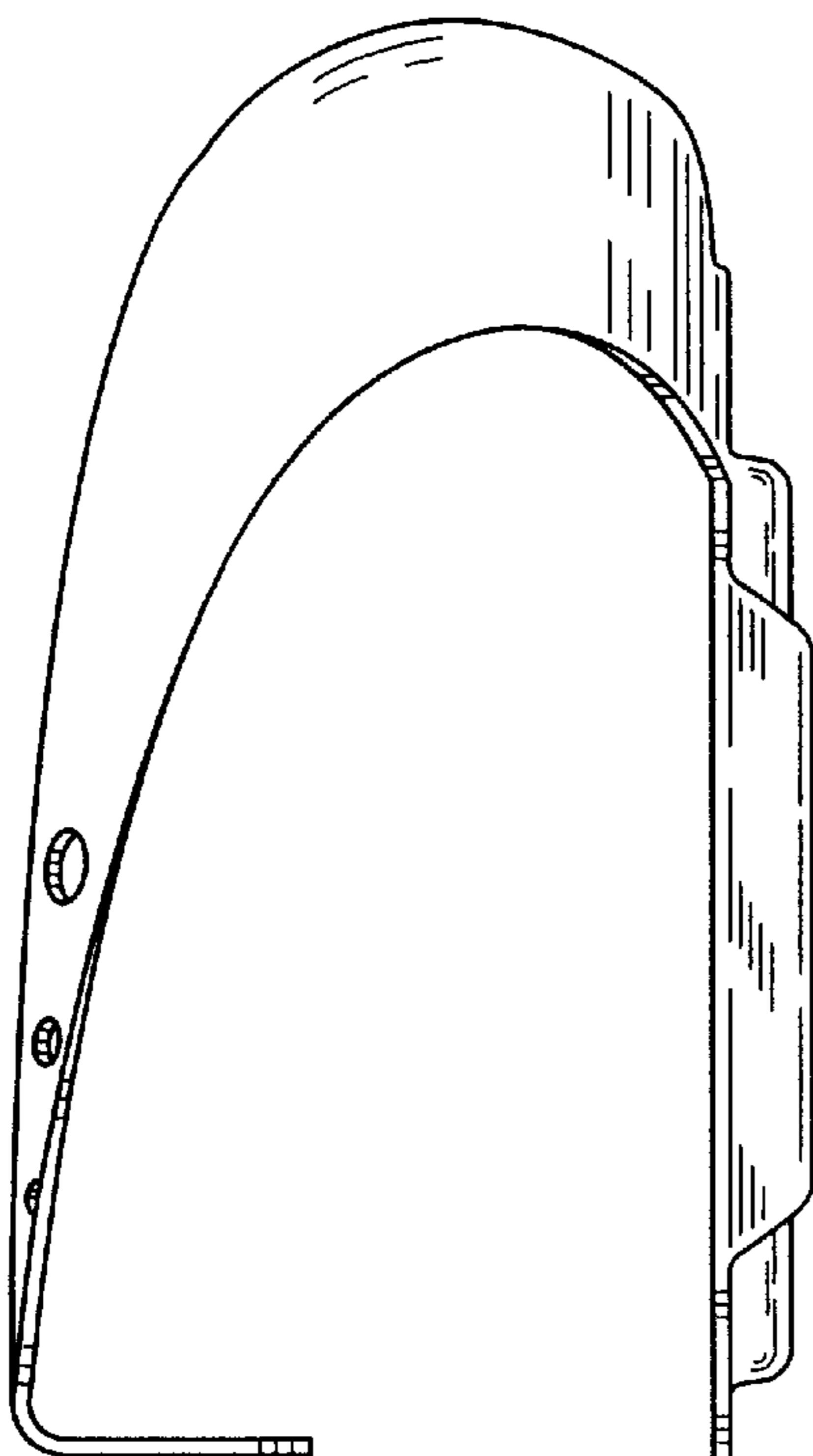


FIG. 4

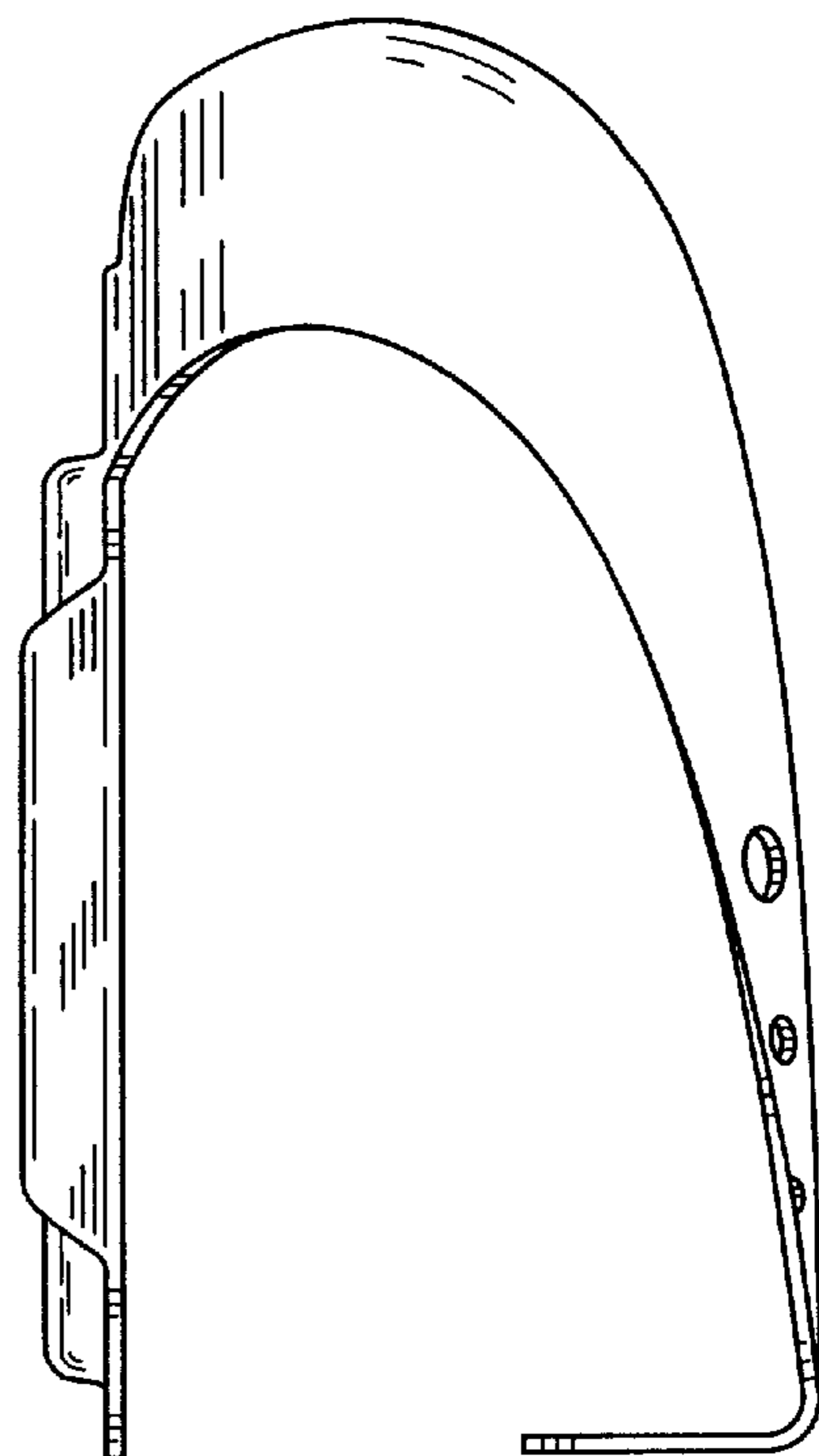


FIG. 5

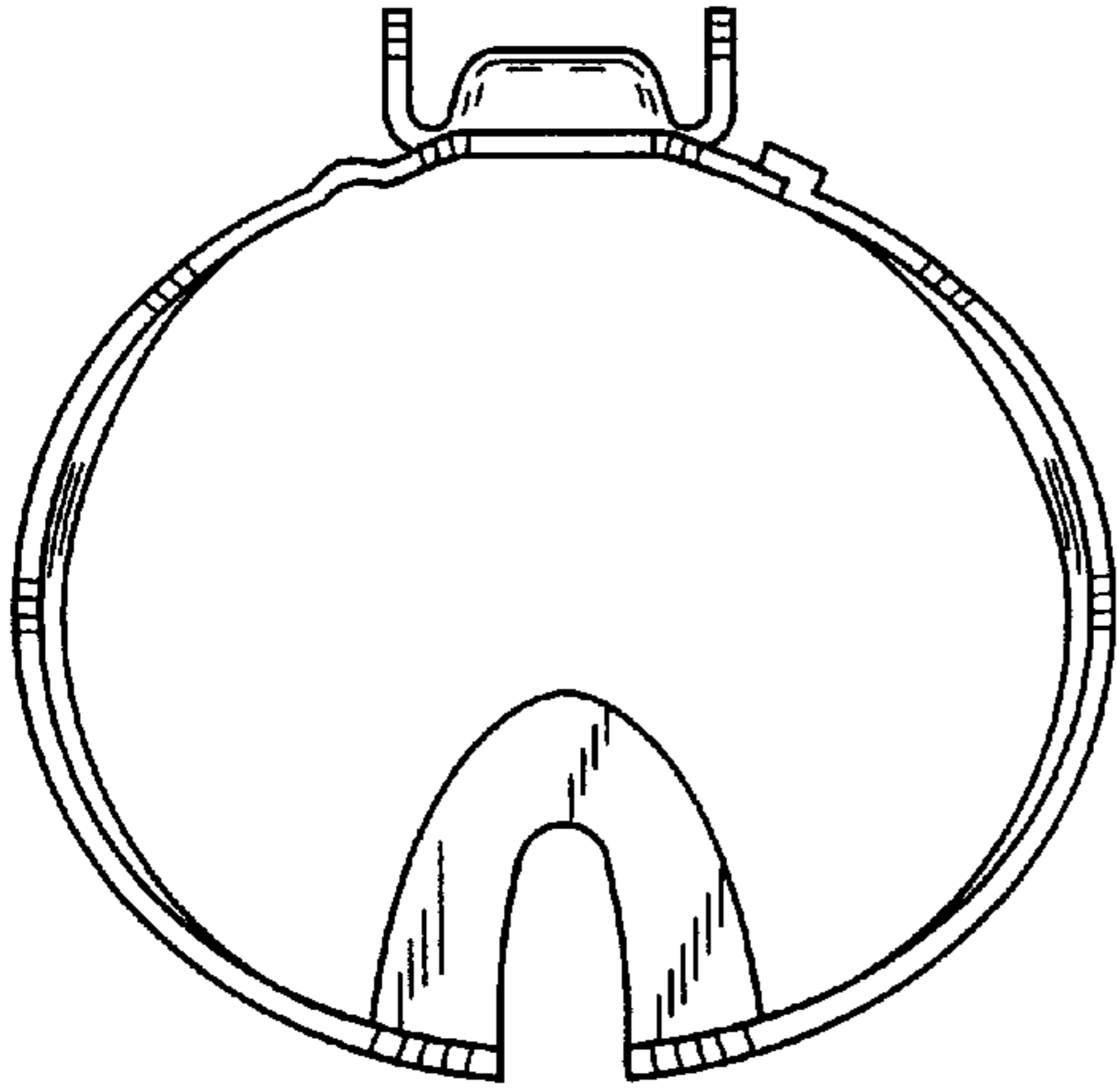


FIG. 6

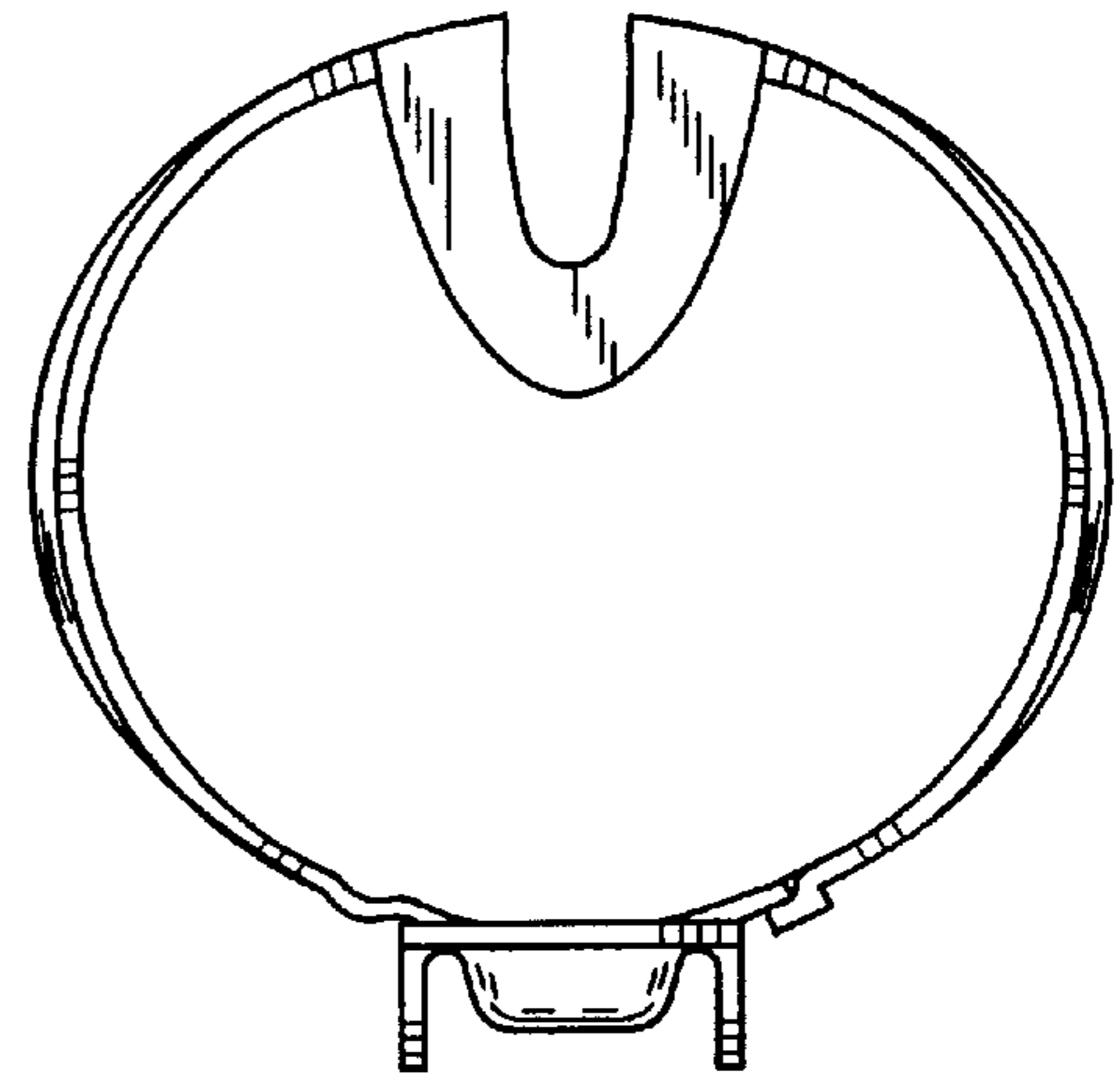


FIG. 7

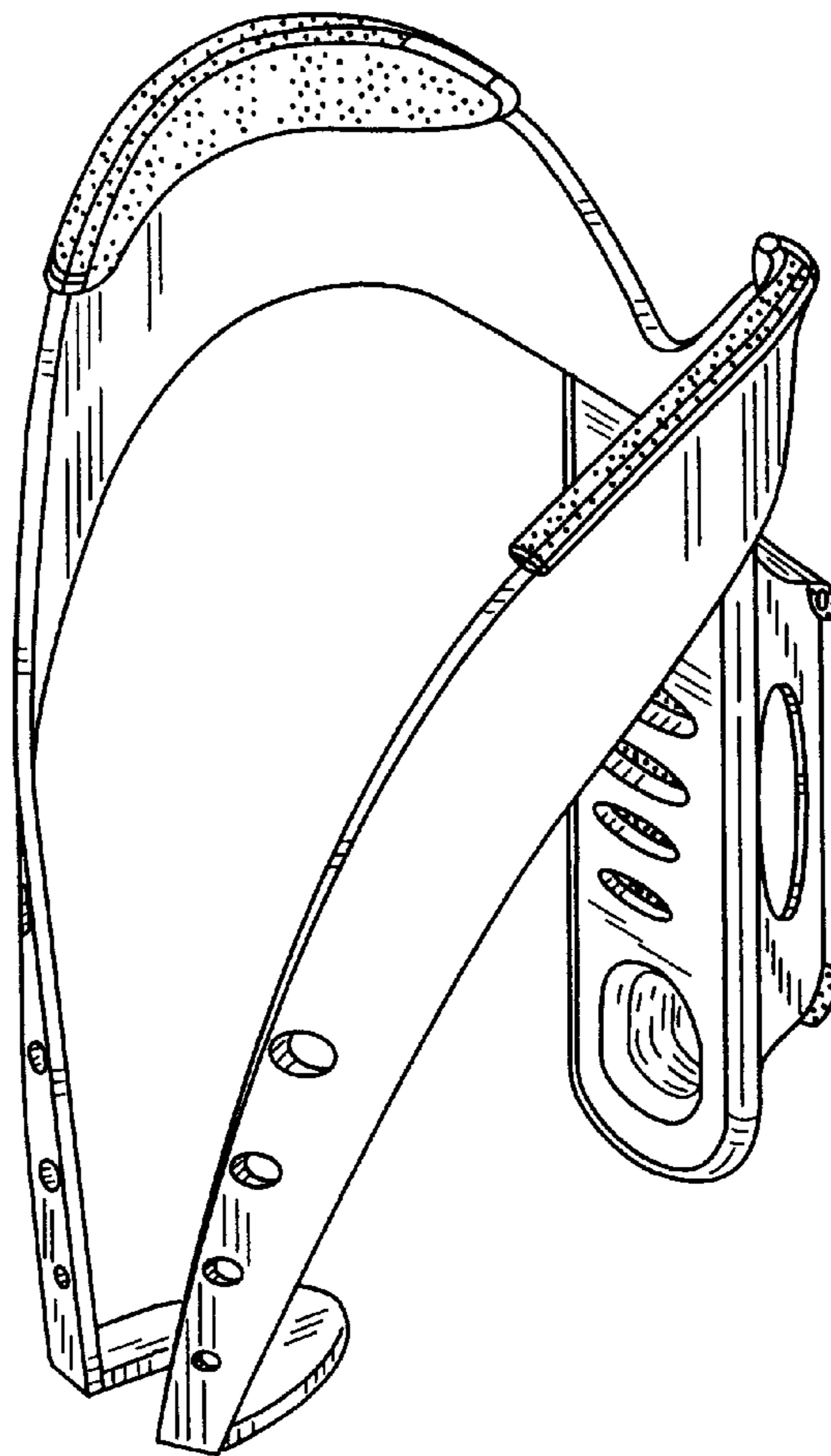


FIG. 8

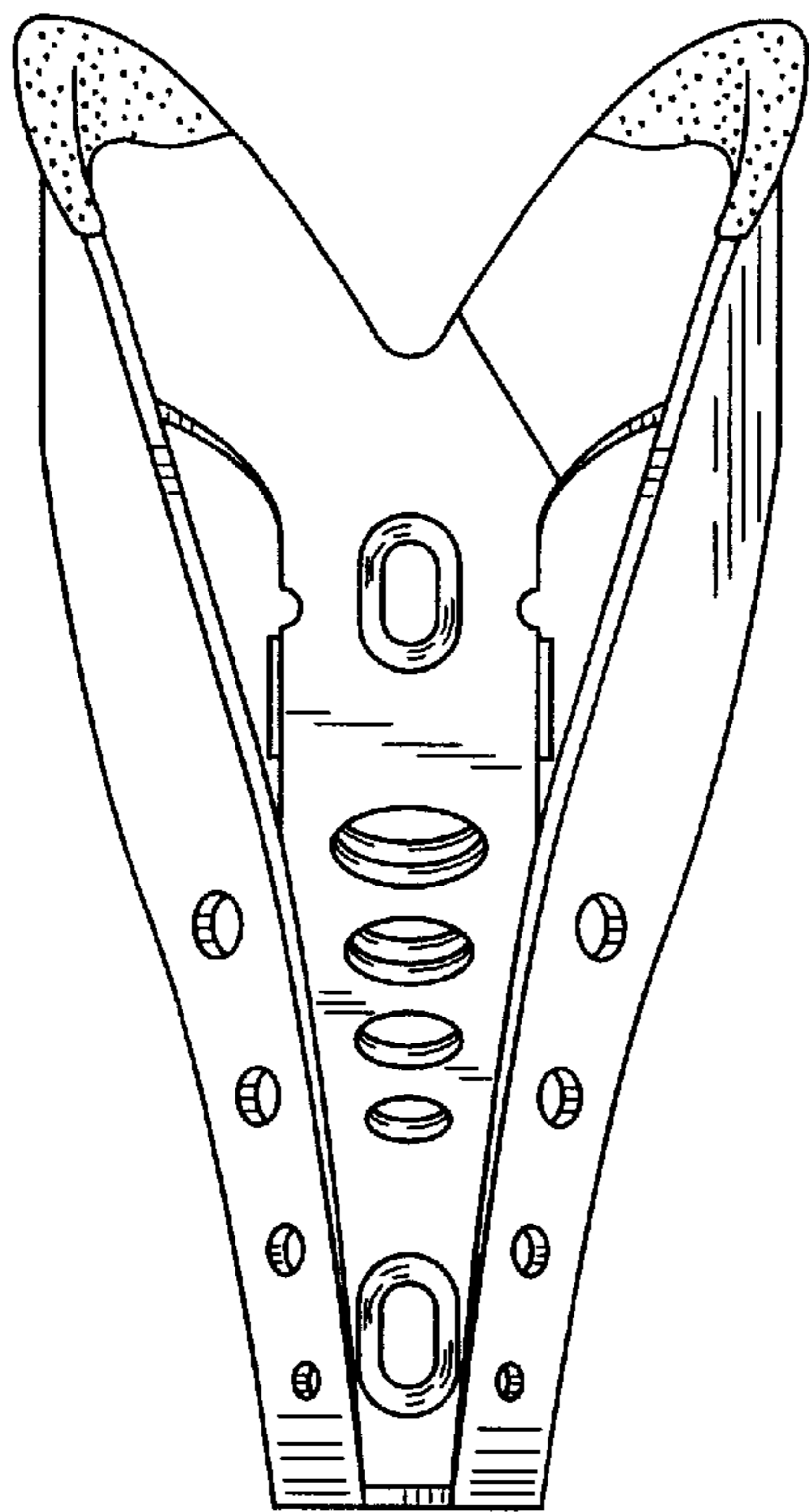


FIG. 9

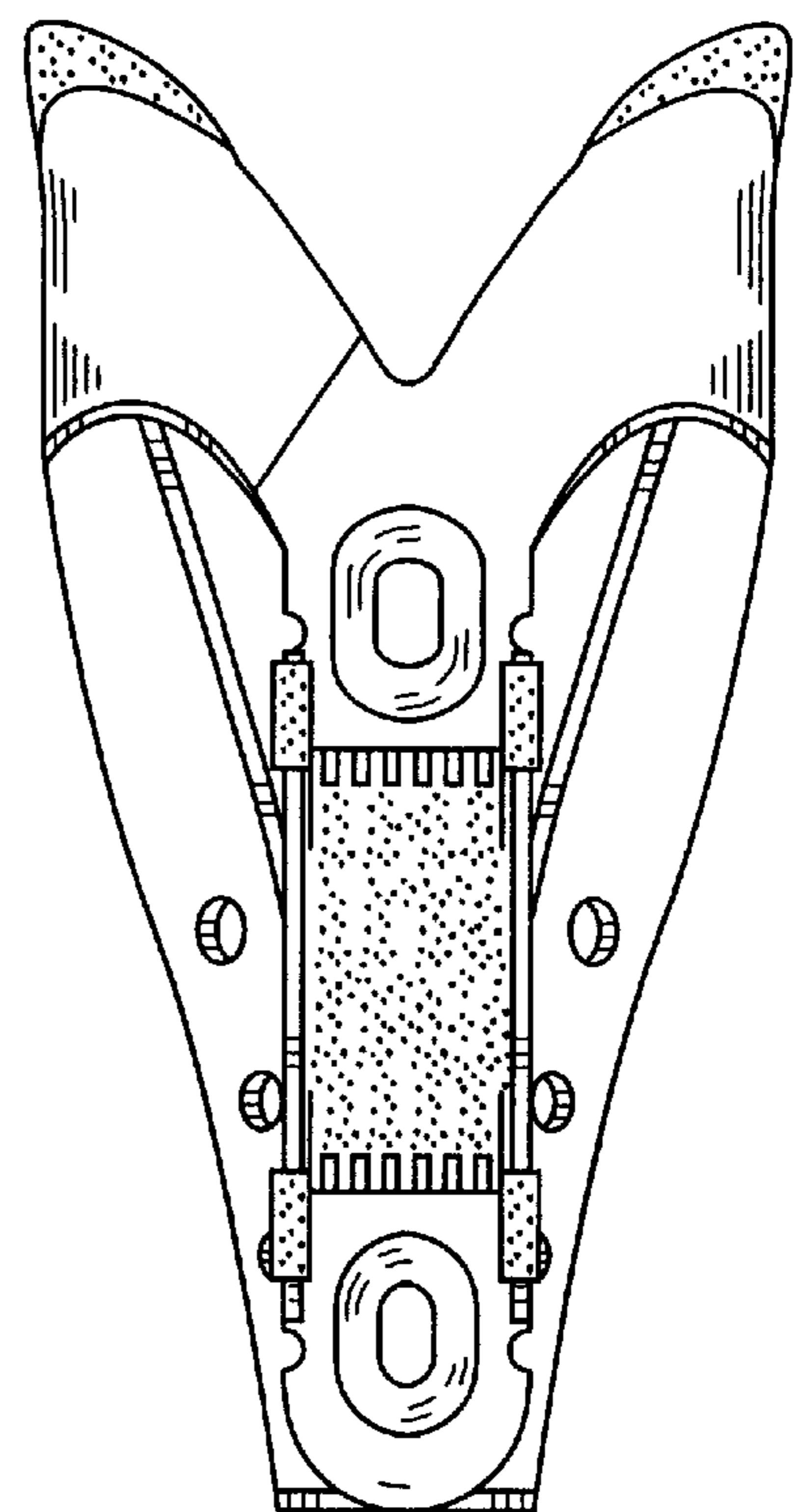


FIG. 10

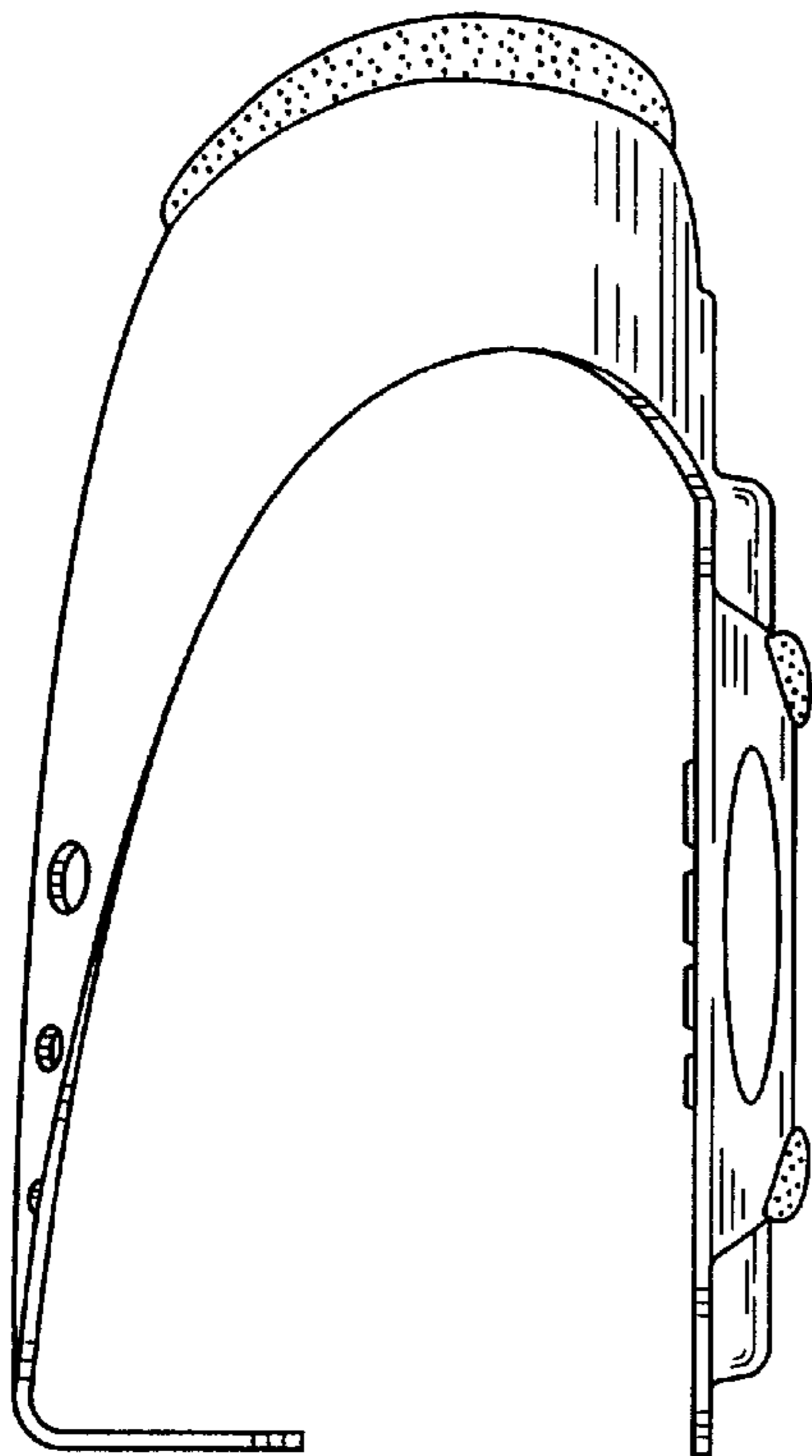


FIG. 11

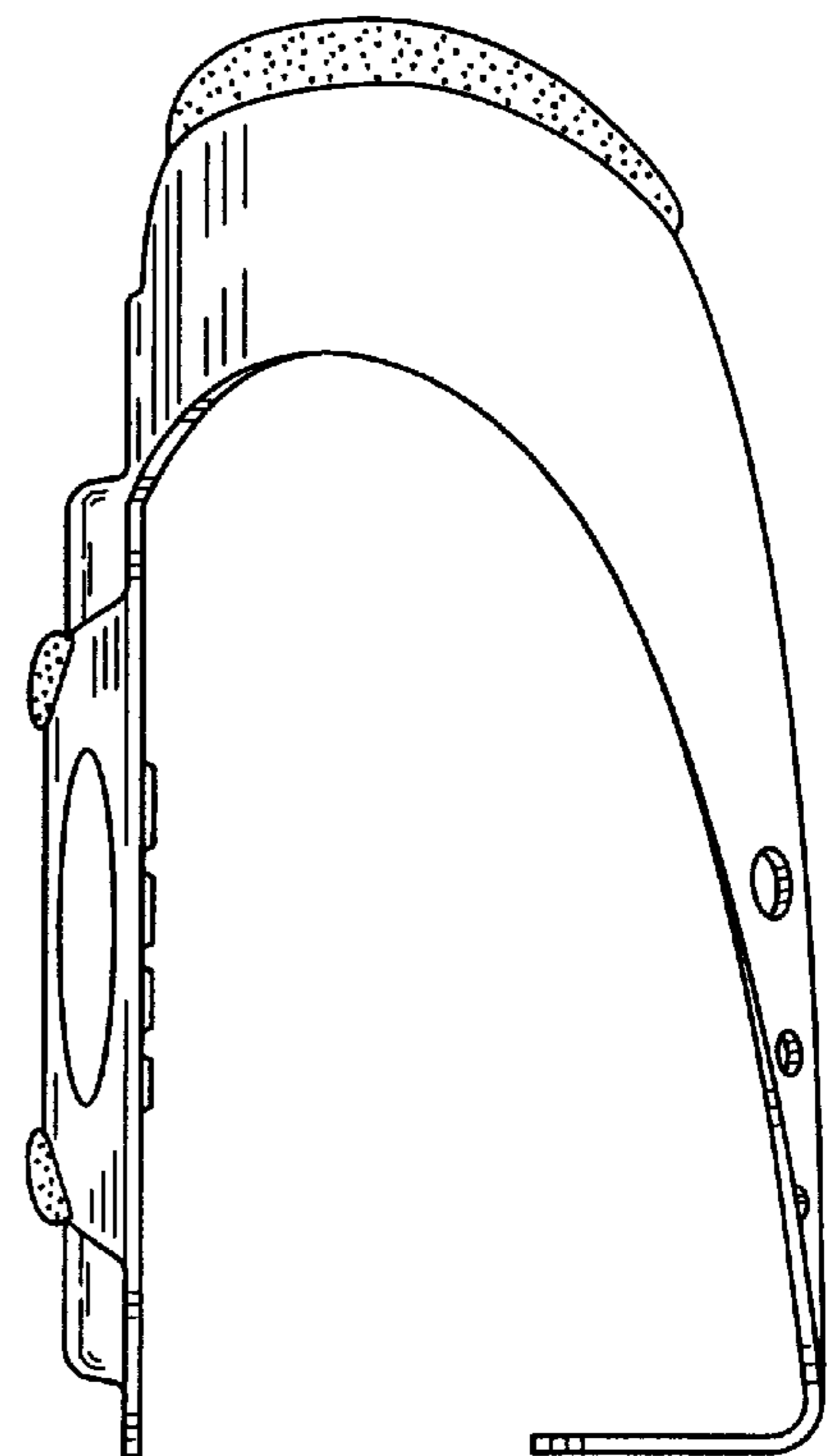


FIG. 12

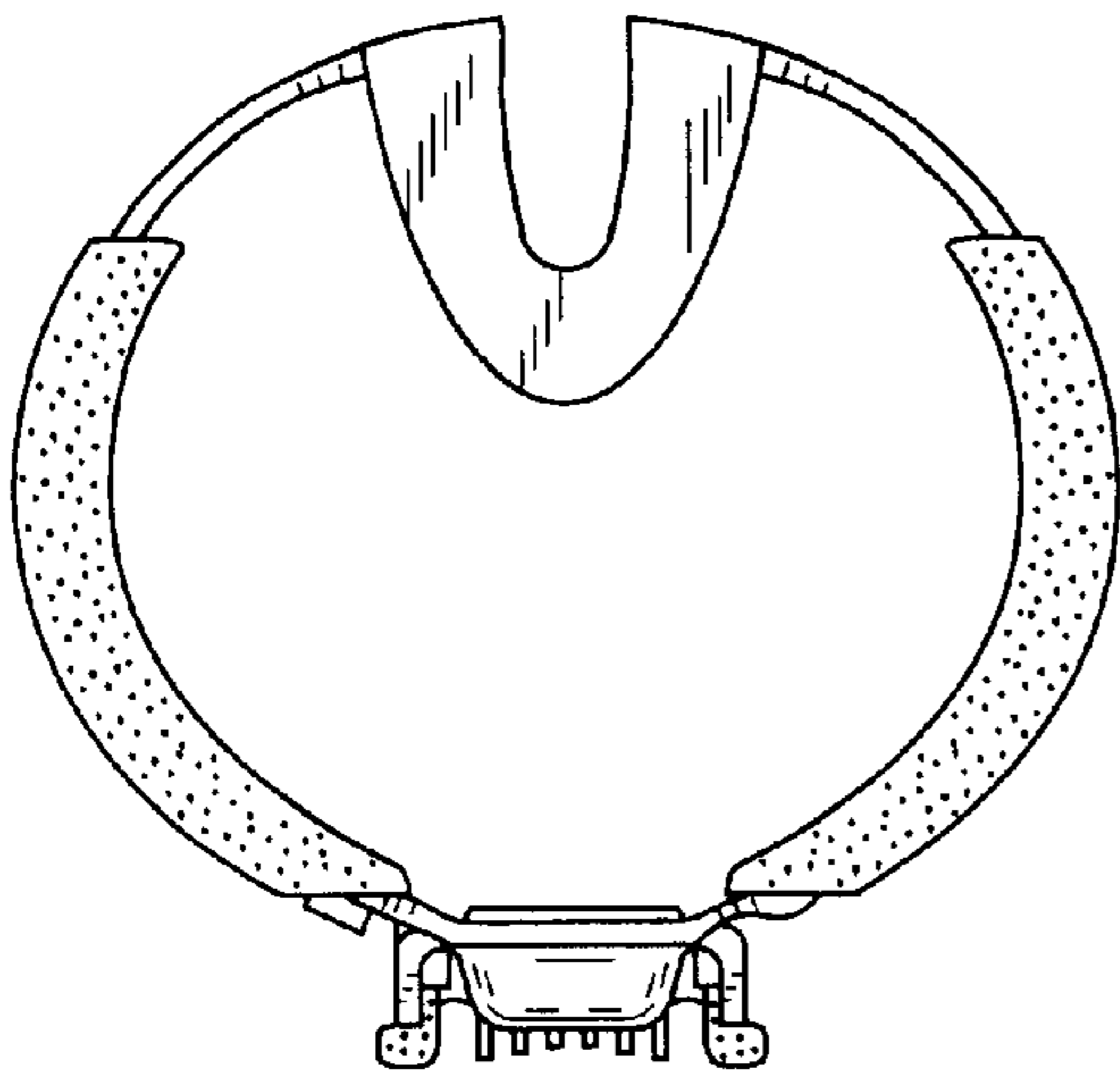


FIG. 13

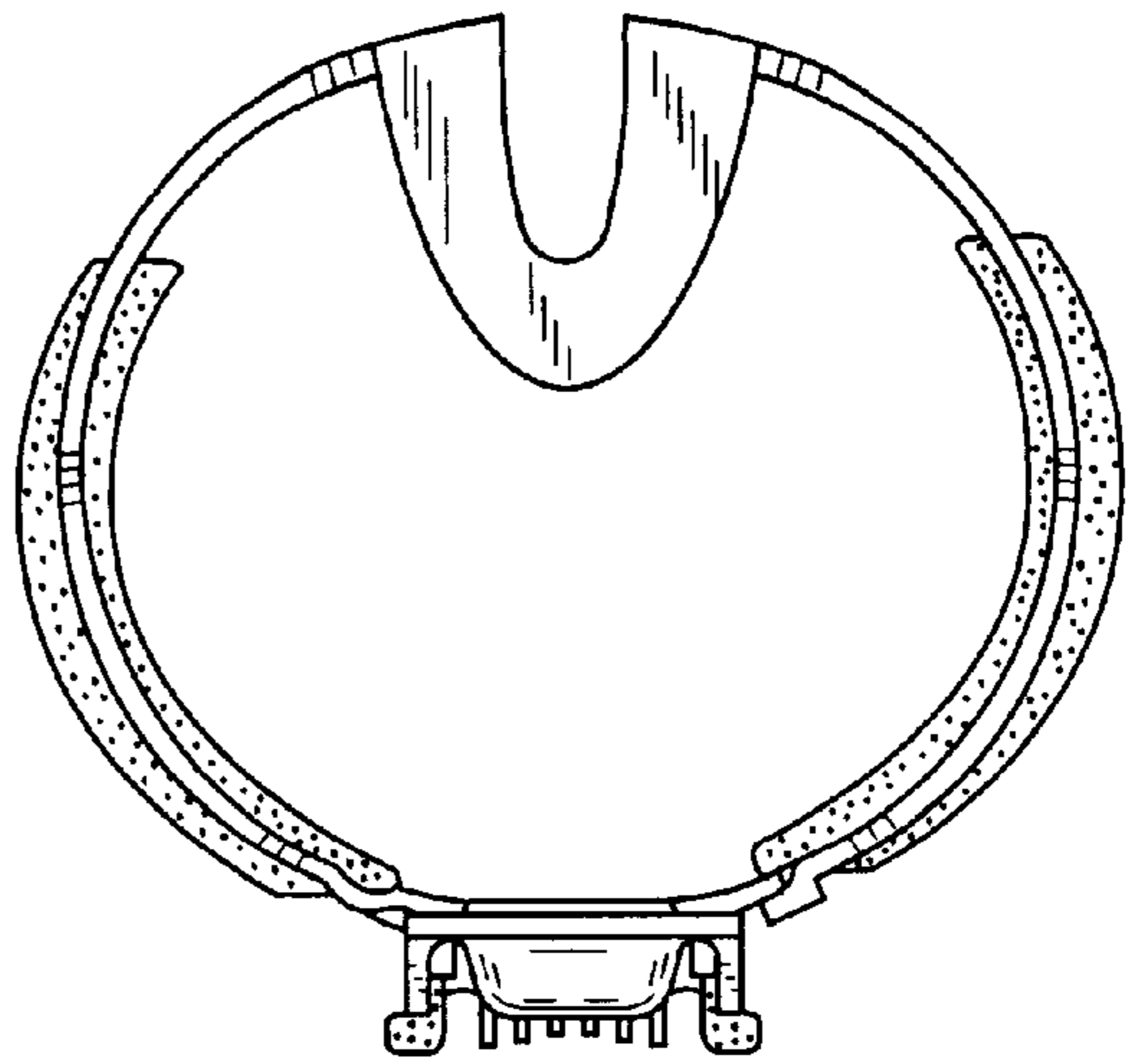


FIG. 14