



US00D455704S

(12) **United States Design Patent**
Vangen

(10) **Patent No.:** **US D455,704 S**

(45) **Date of Patent:** **** Apr. 16, 2002**

(54) **PONTOON**

D209,432 S * 11/1967 Gregory D12/316
4,802,433 A * 2/1989 Kovac 114/270

(75) Inventor: **Knut Vangen**, Bergen (NO)

* cited by examiner

(73) Assignee: **A. Procean AS**, Bergen (NO)

Primary Examiner—Kay H. Chin

(**) Term: **14 Years**

(74) *Attorney, Agent, or Firm*—Francis C. Hand, Esq.;
Carella, Byrne, Bain et al.

(21) Appl. No.: **29/113,067**

(57) **CLAIM**

(22) Filed: **Oct. 29, 1999**

The ornamental design for a pontoon, as shown and described.

(51) **LOC (7) Cl.** **12-06**

(52) **U.S. Cl.** **D12/317; D12/316**

(58) **Field of Search** D12/304, 316,
D12/317; D25/119; 114/344, 265; D21/801,
803

DESCRIPTION

FIG. 1 is a perspective view of a pontoon showing my new design;

FIG. 2 is a left end elevational view of FIG. 1;

FIG. 3 is an enlarged broken perspective view of FIG. 1;

FIG. 4 is a perspective view of a second embodiment of the pontoon;

FIG. 5 is a left end elevational view of FIG. 4; and,

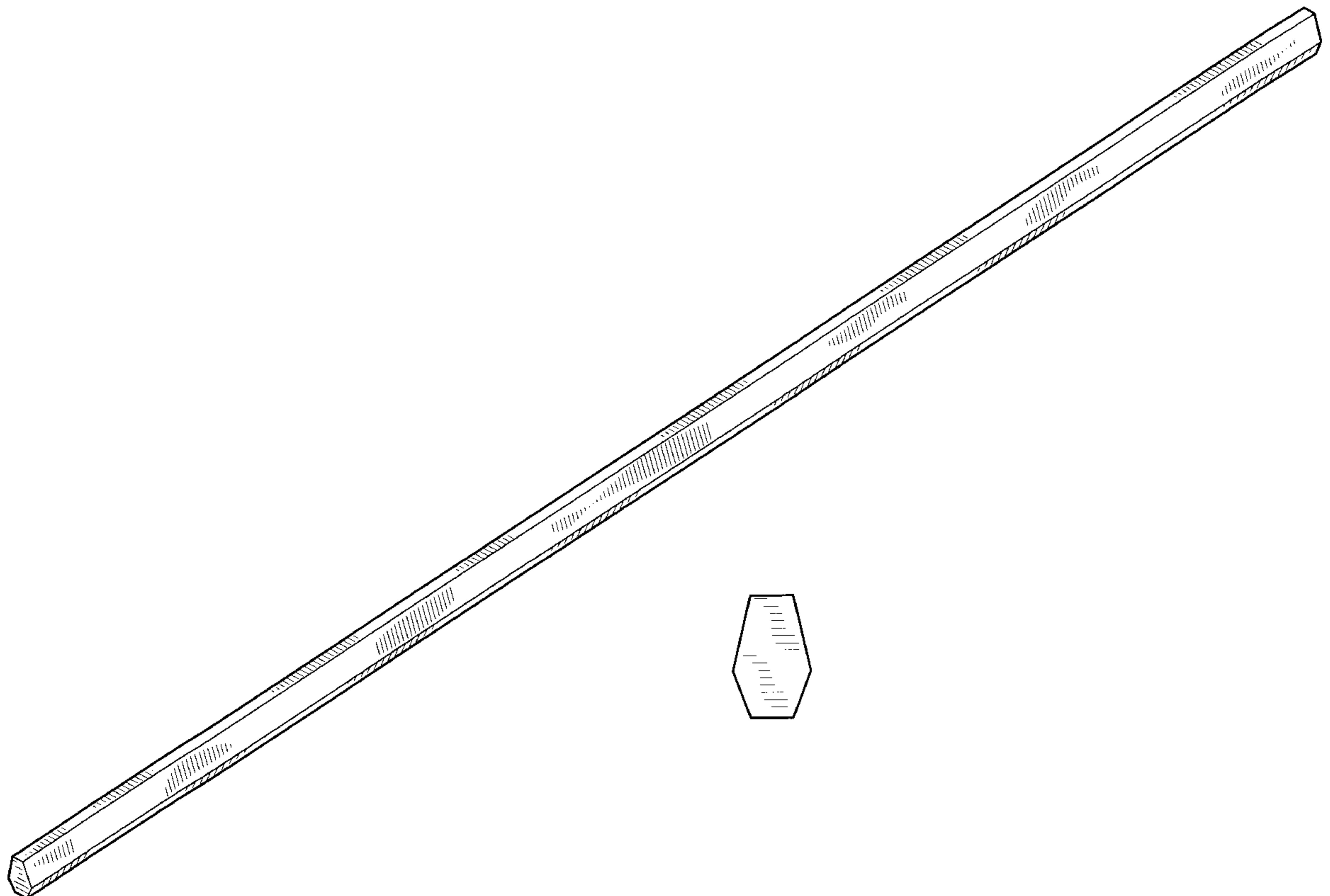
FIG. 6 is an enlarged broken perspective view of FIG. 6.

(56) **References Cited**

U.S. PATENT DOCUMENTS

2,984,845	A	*	5/1961	Gregoire	114/344
3,025,537	A	*	3/1962	Rasmussen	114/344
3,289,225	A	*	12/1966	Isch et al.	114/344
3,300,796	A	*	1/1967	Powers	114/344

1 Claim, 2 Drawing Sheets



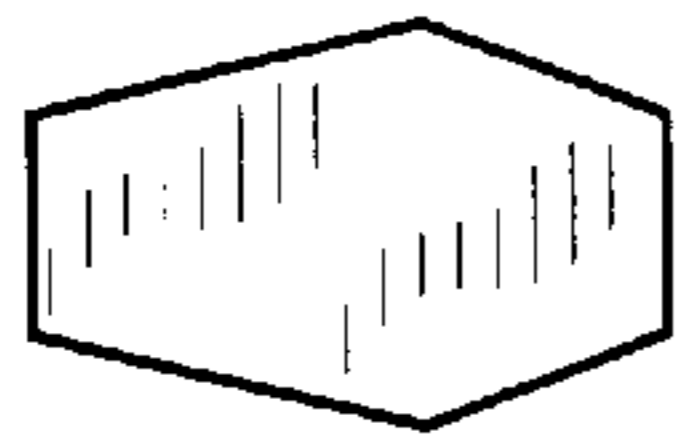
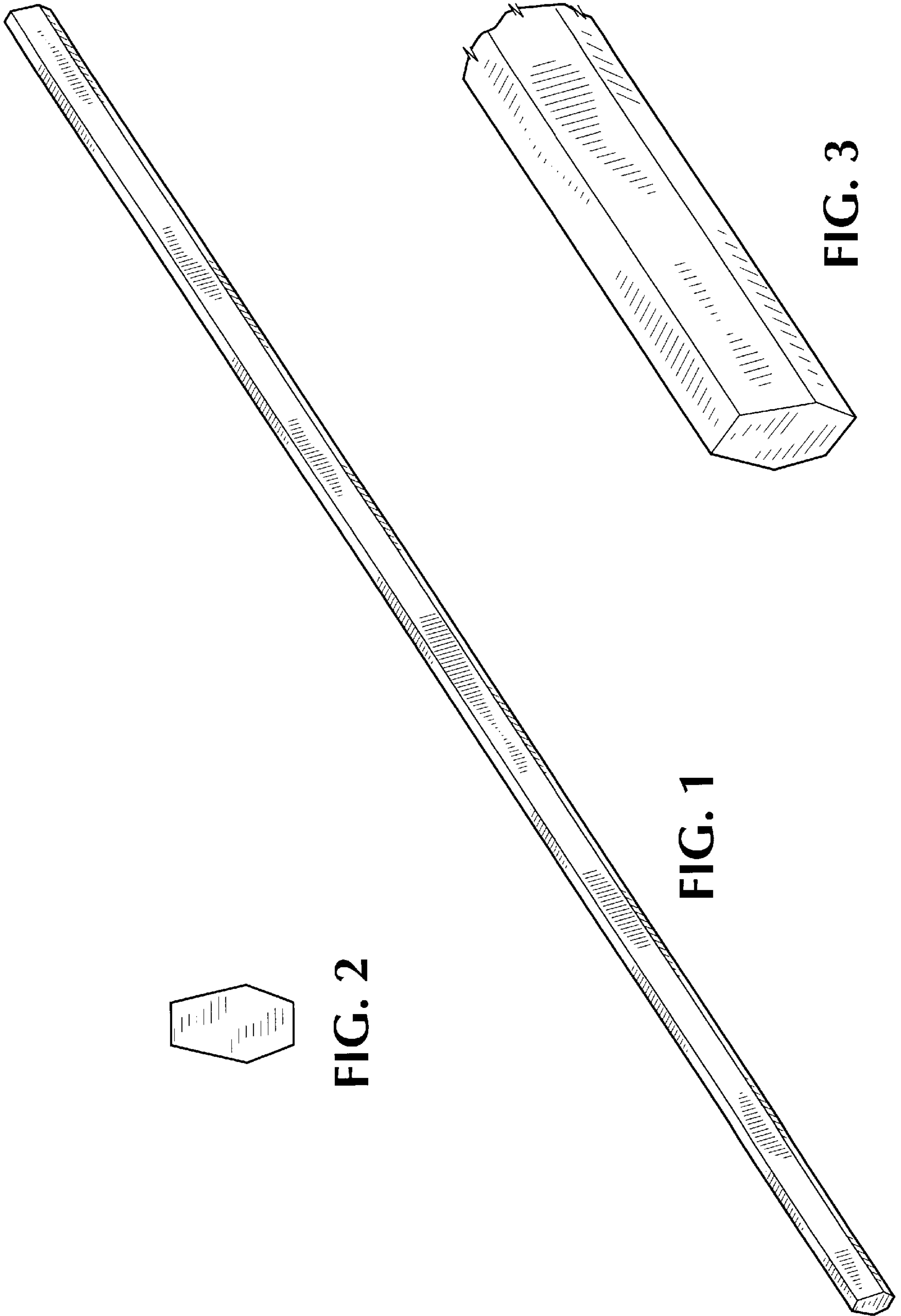


FIG. 2

FIG. 1

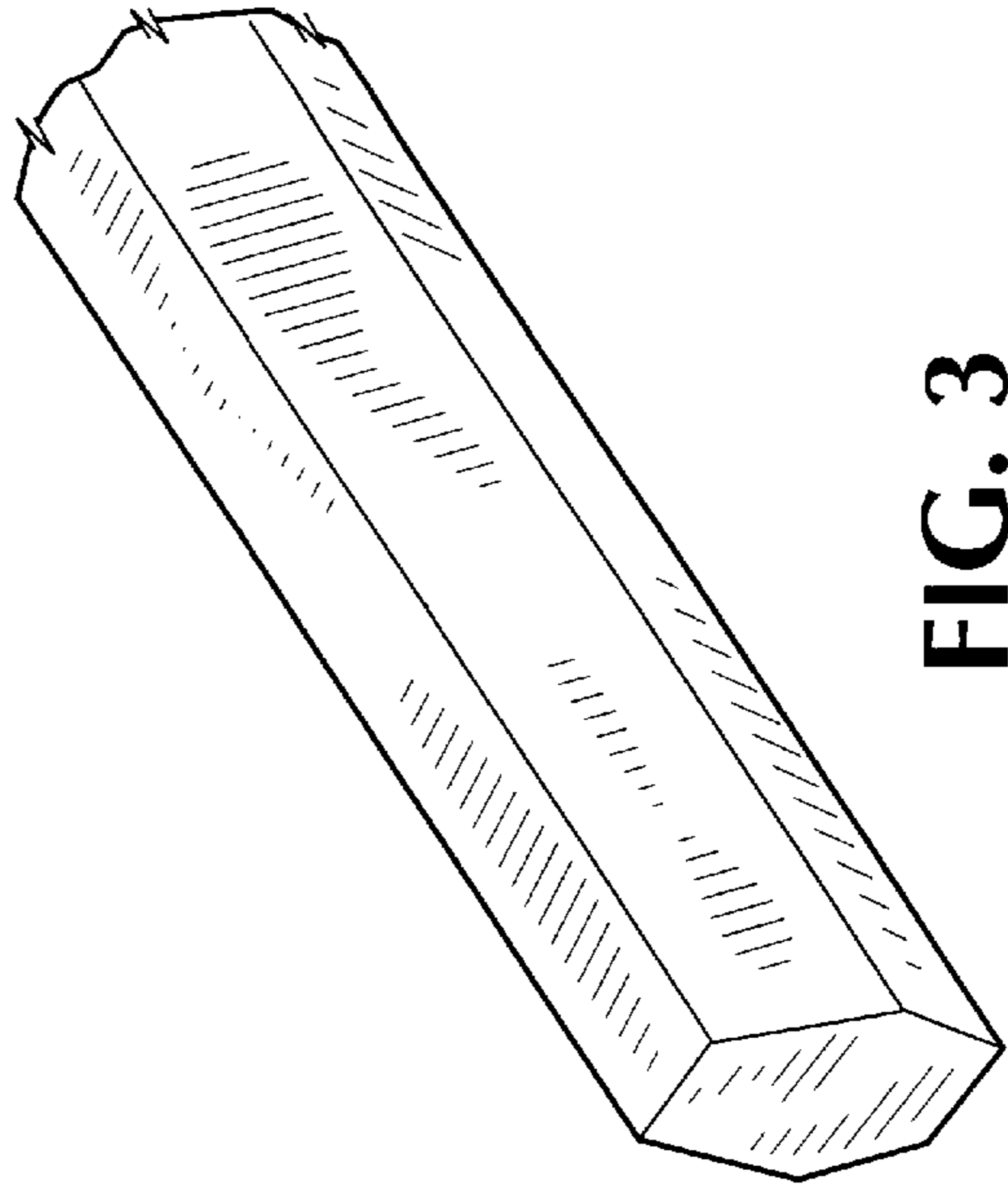


FIG. 3

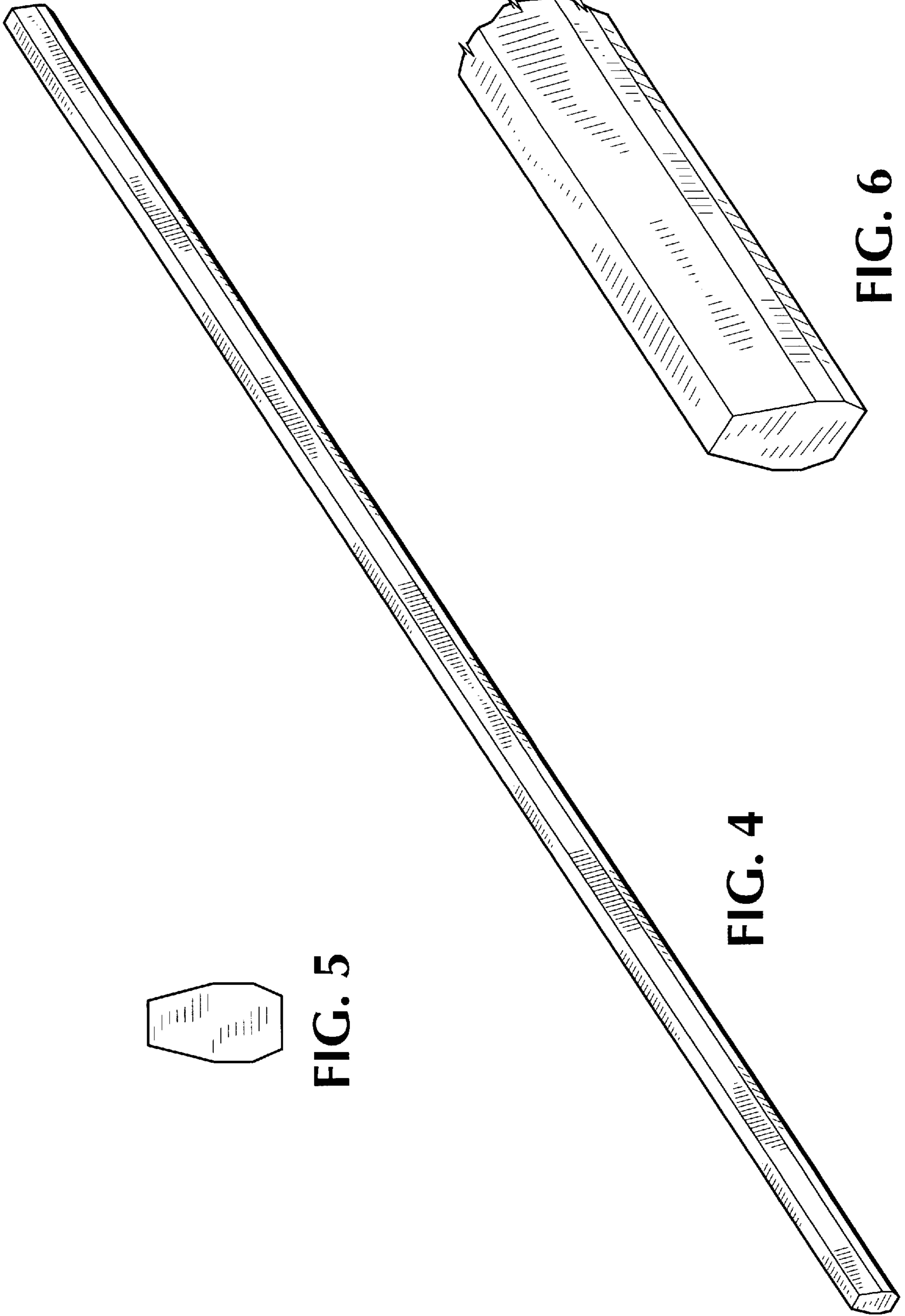


FIG. 5

FIG. 4

FIG. 6