



US00D455703S

(12) **United States Design Patent**
Foose

(10) **Patent No.:** **US D455,703 S**

(45) **Date of Patent:** **** Apr. 16, 2002**

(54) **VEHICLE-WHEEL FRONT FACE**

(75) Inventor: **Douglas S. Foose**, Tustin, CA (US)

(73) Assignee: **Mobile Hi-Tech Wheels**, Torrance, CA (US)

(**) Term: **14 Years**

(21) Appl. No.: **29/145,221**

(22) Filed: **Jul. 17, 2001**

(51) **LOC (7) Cl.** **12-16**

(52) **U.S. Cl.** **D12/211**

(58) **Field of Search** D12/204-211;
301/37.1, 64.1, 65

(56) **References Cited**

U.S. PATENT DOCUMENTS

D408,778 S	*	4/1999	Neeper	D12/211
D423,442 S	*	4/2000	Hussaini et al.	D12/209
D430,095 S	*	8/2000	Lotson	D12/211
D431,517 S	*	10/2000	Donikoglu	D12/209
D432,068 S	*	10/2000	Fitzgerald	D12/209
D433,371 S	*	11/2000	Donikoglu	D12/209
D433,658 S	*	11/2000	Donikoglu	D12/209
D436,574 S	*	1/2001	Tunstill	D12/211
D436,907 S	*	1/2001	Ong	D12/209
D438,165 S	*	2/2001	Echazabal	D12/211

D446,180 S	*	8/2001	Sulahian et al.	D12/211
D448,712 S	*	10/2001	Laengerer	D12/209
D448,716 S	*	10/2001	Ong	D12/211

* cited by examiner

Primary Examiner—Stacia Cadmus

(74) *Attorney, Agent, or Firm*—Christie, Parker & Hale, LLP

(57) **CLAIM**

The ornamental design for a vehicle-wheel front face, as shown and described.

DESCRIPTION

FIG. 1 is a perspective view of a vehicle-wheel front face according to my new design;
 FIG. 2 is a front elevational view thereof;
 FIG. 3 is a side elevational view thereof;
 FIG. 4 is a front elevational view of a second embodiment of my new design;
 FIG. 5 is a front elevational view of the second embodiment; and,
 FIG. 6 is a side elevational view of the second embodiment. Portions of the wheel depicted in broken line are for illustrative purposes only, and form no part of the claimed design.

1 Claim, 6 Drawing Sheets

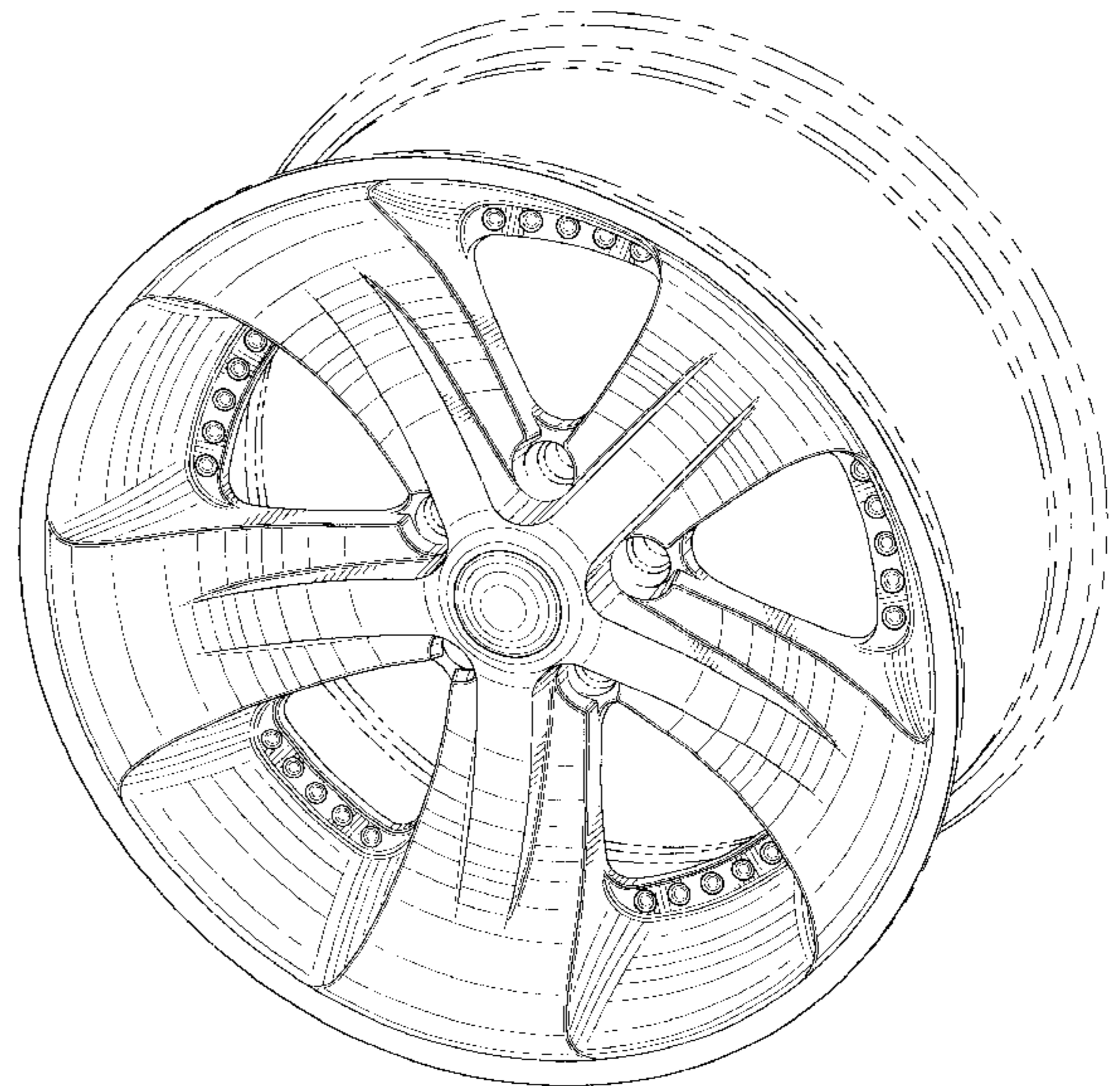
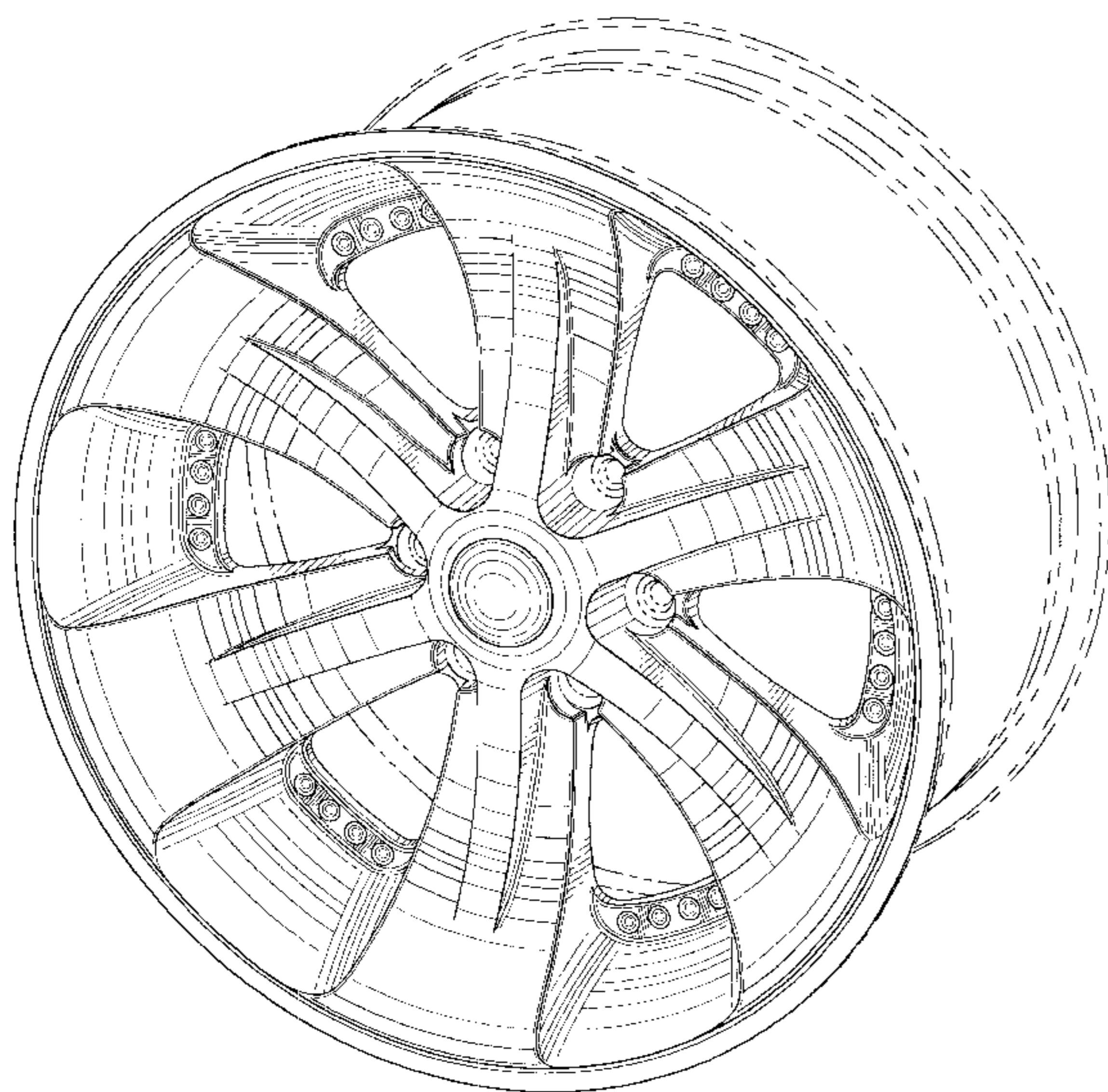


FIG. 1

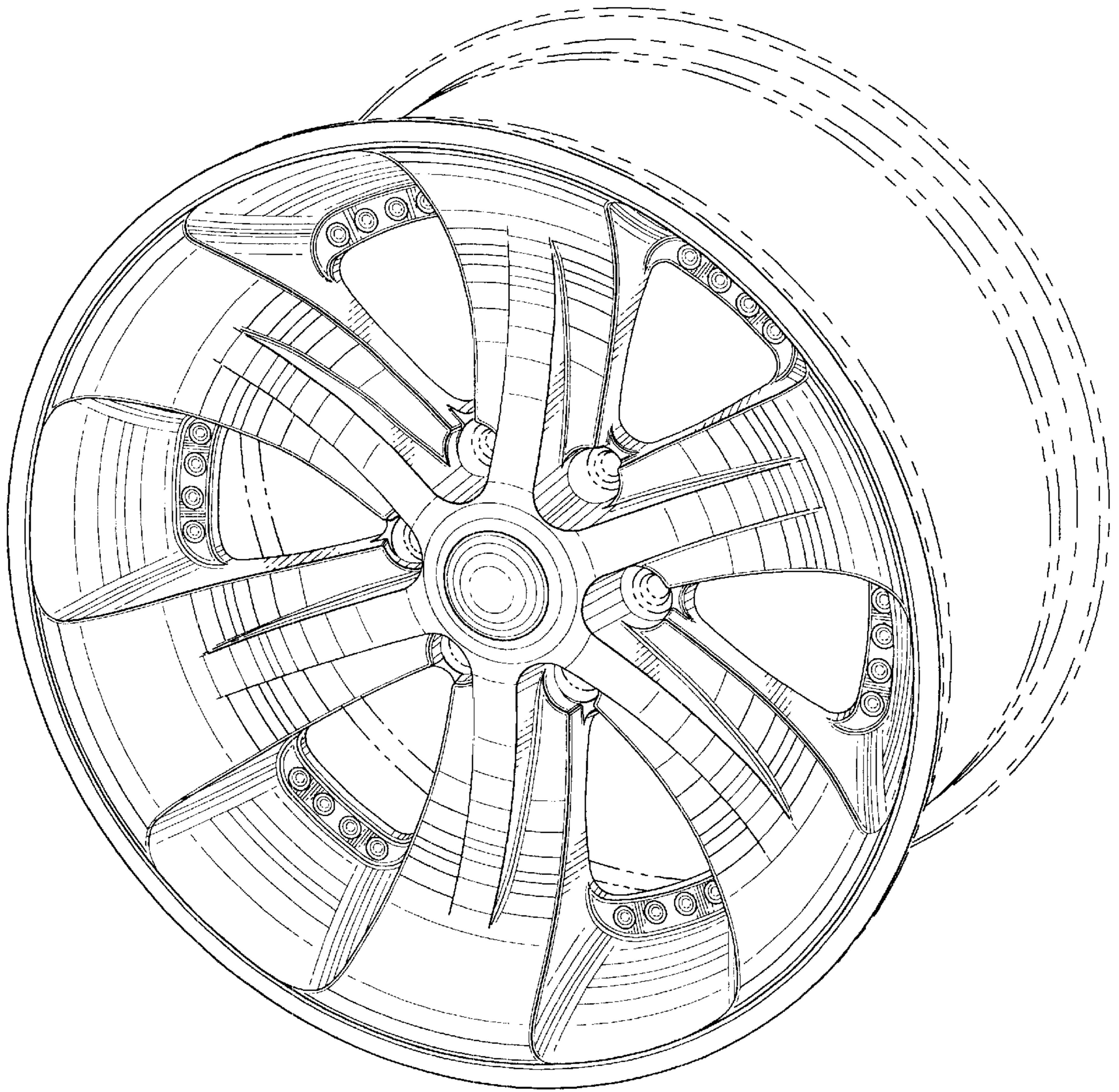


FIG. 2

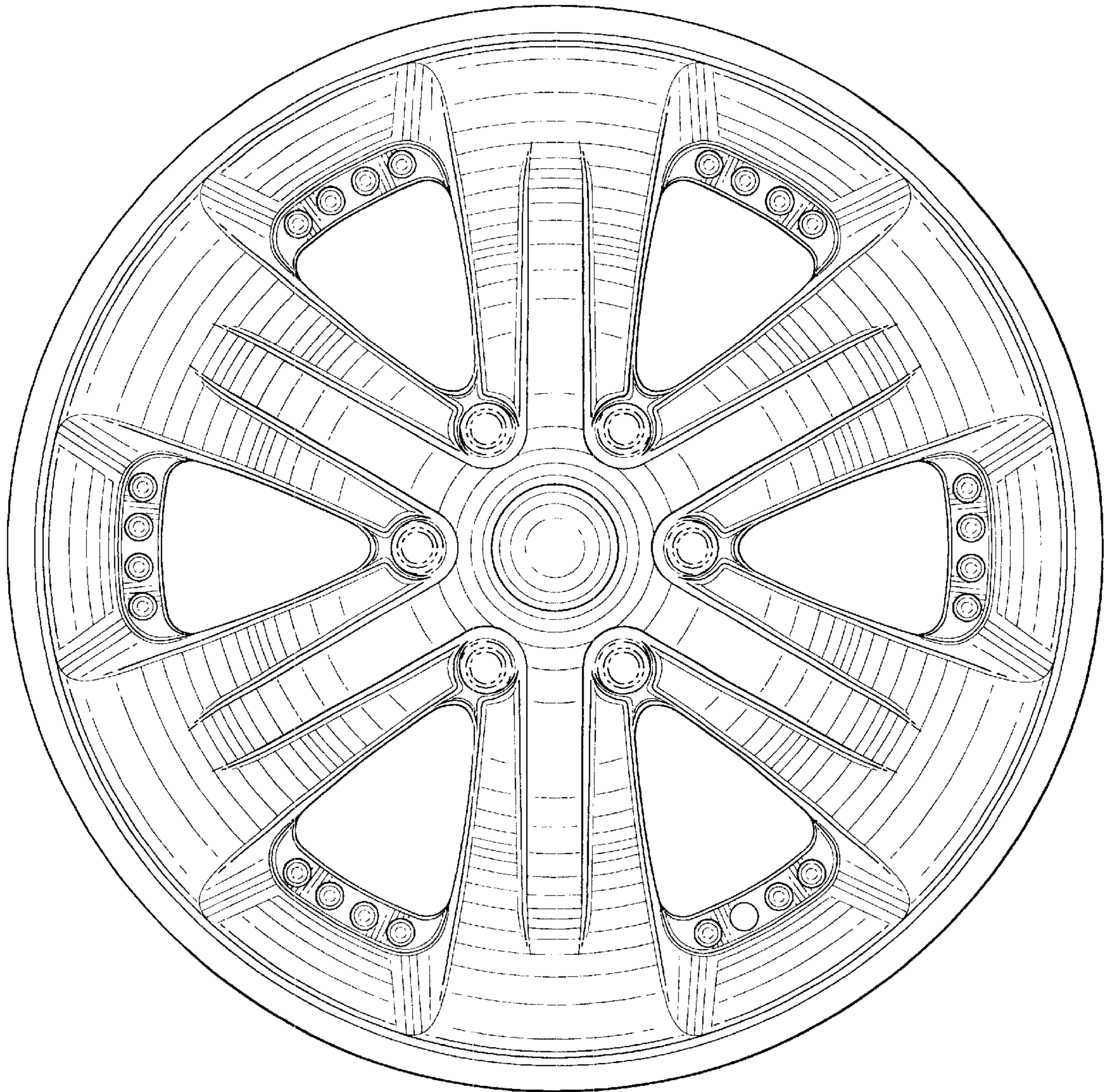


FIG. 3

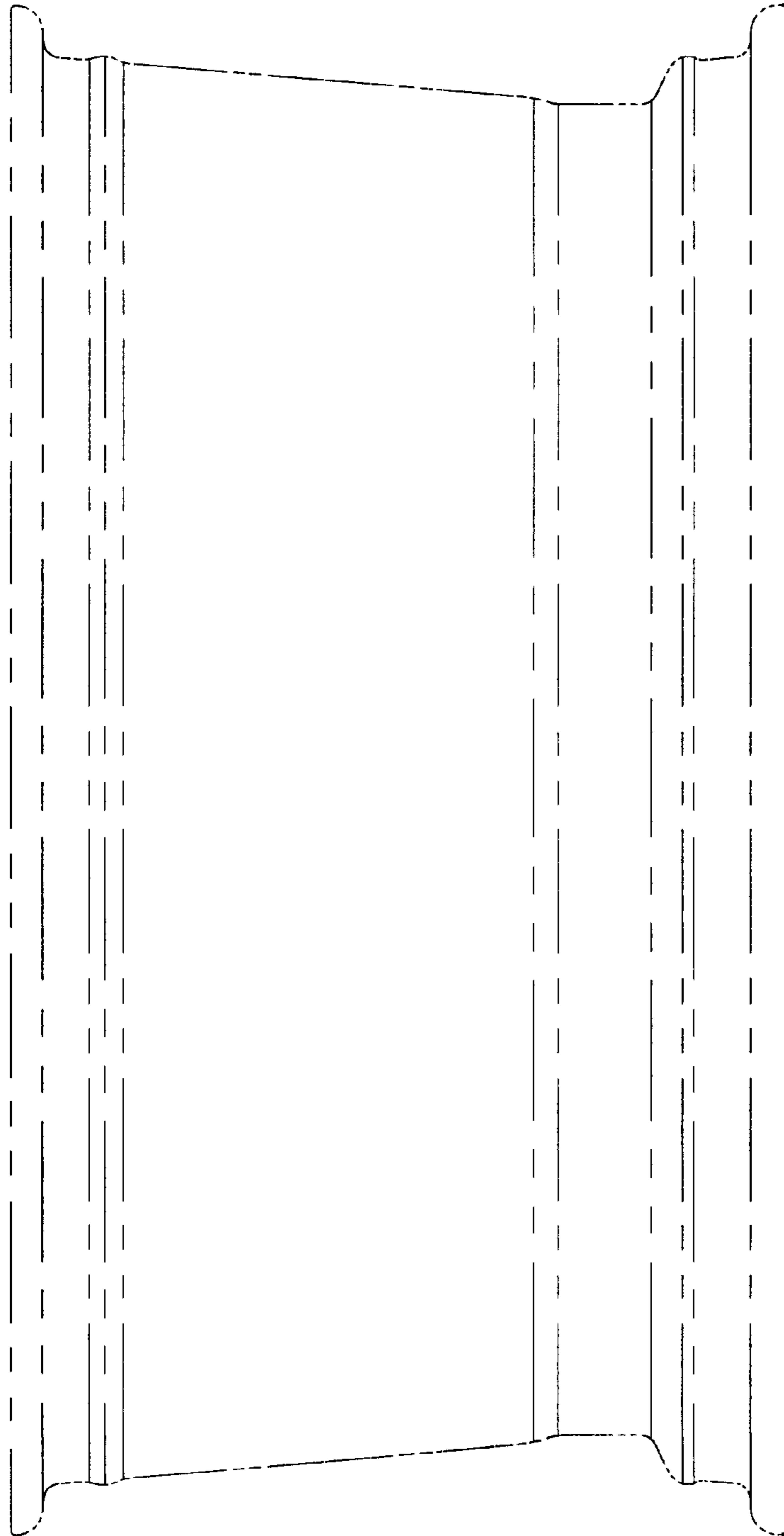


FIG. 4

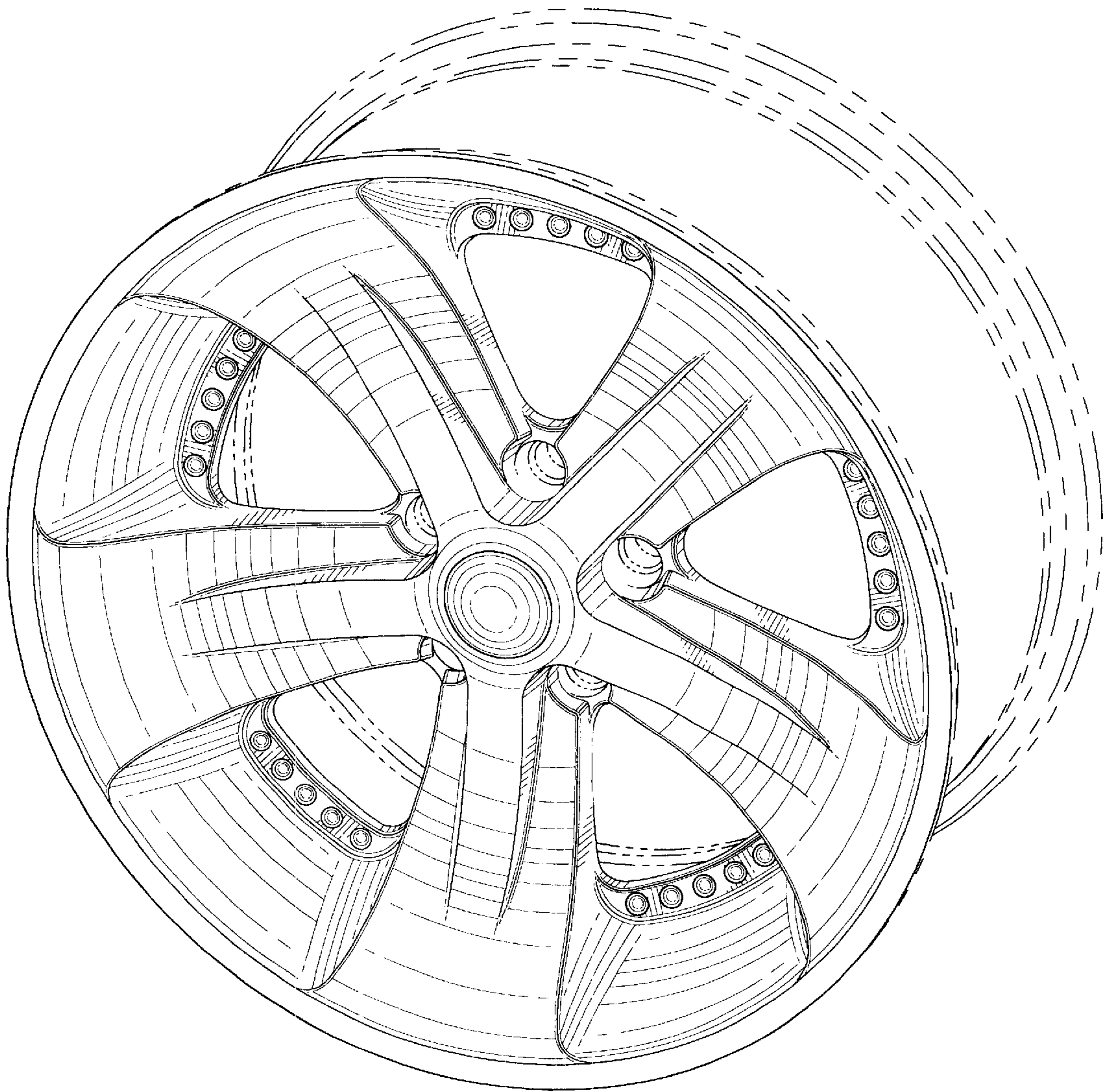


FIG. 5

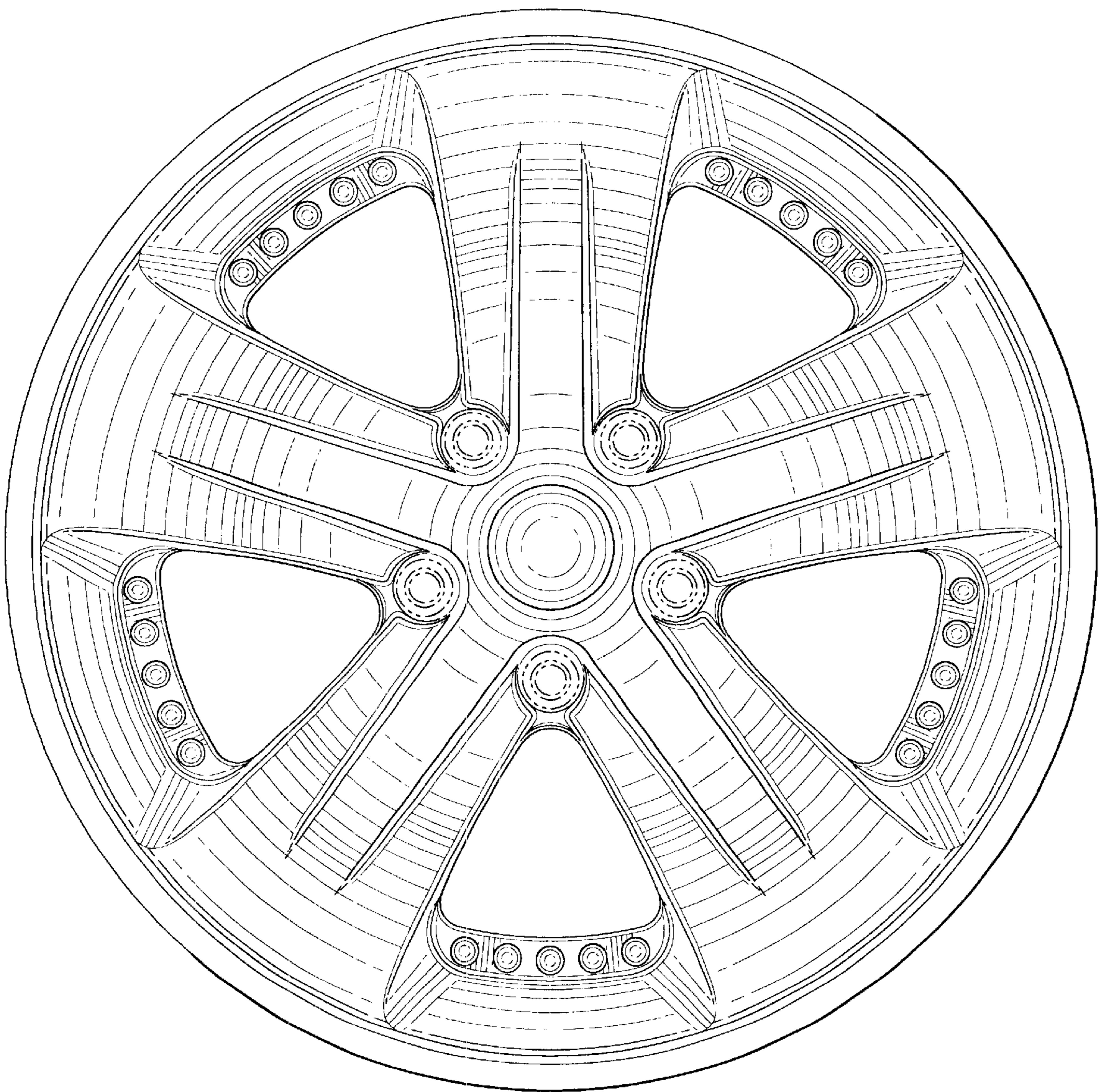


FIG. 6

