



US00D455702S

(12) **United States Design Patent**
Cullen

(10) **Patent No.:** **US D455,702 S**

(45) **Date of Patent:** **** Apr. 16, 2002**

(54) **VEHICLE-WHEEL FRONT FACE**

(75) **Inventor:** **Murray S. Cullen, Irvine, CA (US)**

(73) **Assignee:** **Mobile Hi-Tech Wheels, La Palma, CA (US)**

(**) **Term:** **14 Years**

(21) **Appl. No.:** **29/142,310**

(22) **Filed:** **May 22, 2001**

(51) **LOC (7) Cl. 12-16**

(52) **U.S. Cl. D12/211**

(58) **Field of Search D12/204-211;**
301/37.1, 64.1, 65

D419,947 S	*	2/2000	Chung	D12/211
D422,550 S	*	4/2000	Chung	D12/211
D436,071 S	*	1/2001	Lee	D12/211
D436,914 S	*	1/2001	Vian	D12/211
D441,339 S	*	5/2001	Hussaini et al.	D12/211
D444,119 S	*	6/2001	Brintouch	D12/211
D450,649 S	*	11/2001	Penzes	D12/211

* cited by examiner

Primary Examiner—Stacia Cadmus

(74) *Attorney, Agent, or Firm*—Christie, Parker & Hale, LLP

(57) **CLAIM**

The ornamental design for a vehicle-wheel front face, as shown and described.

DESCRIPTION

FIG. 1 is a perspective view of a vehicle-wheel front face according to my new design;

FIG. 2 is a front elevational view thereof; and,

FIG. 3 is a side elevational view thereof, taken from the left side of FIG. 2.

Portions of the wheel depicted in broken line are for illustrative purposes only, and form no part of the claimed design.

1 Claim, 3 Drawing Sheets

(56) **References Cited**

U.S. PATENT DOCUMENTS

D339,561 S	*	9/1993	Maiworm et al.	D12/211
D344,924 S	*	3/1994	Braungart et al.	D12/211
D363,910 S	*	11/1995	Chung	D12/209
D373,562 S	*	9/1996	Cole	D12/211
D375,075 S	*	10/1996	Kugler	D12/209
D388,047 S	*	12/1997	Pfeiffer et al.	D12/211
D393,825 S	*	4/1998	Fike	D12/209
D406,807 S	*	3/1999	Shikado	D12/211
D411,502 S	*	6/1999	Chung	D12/211

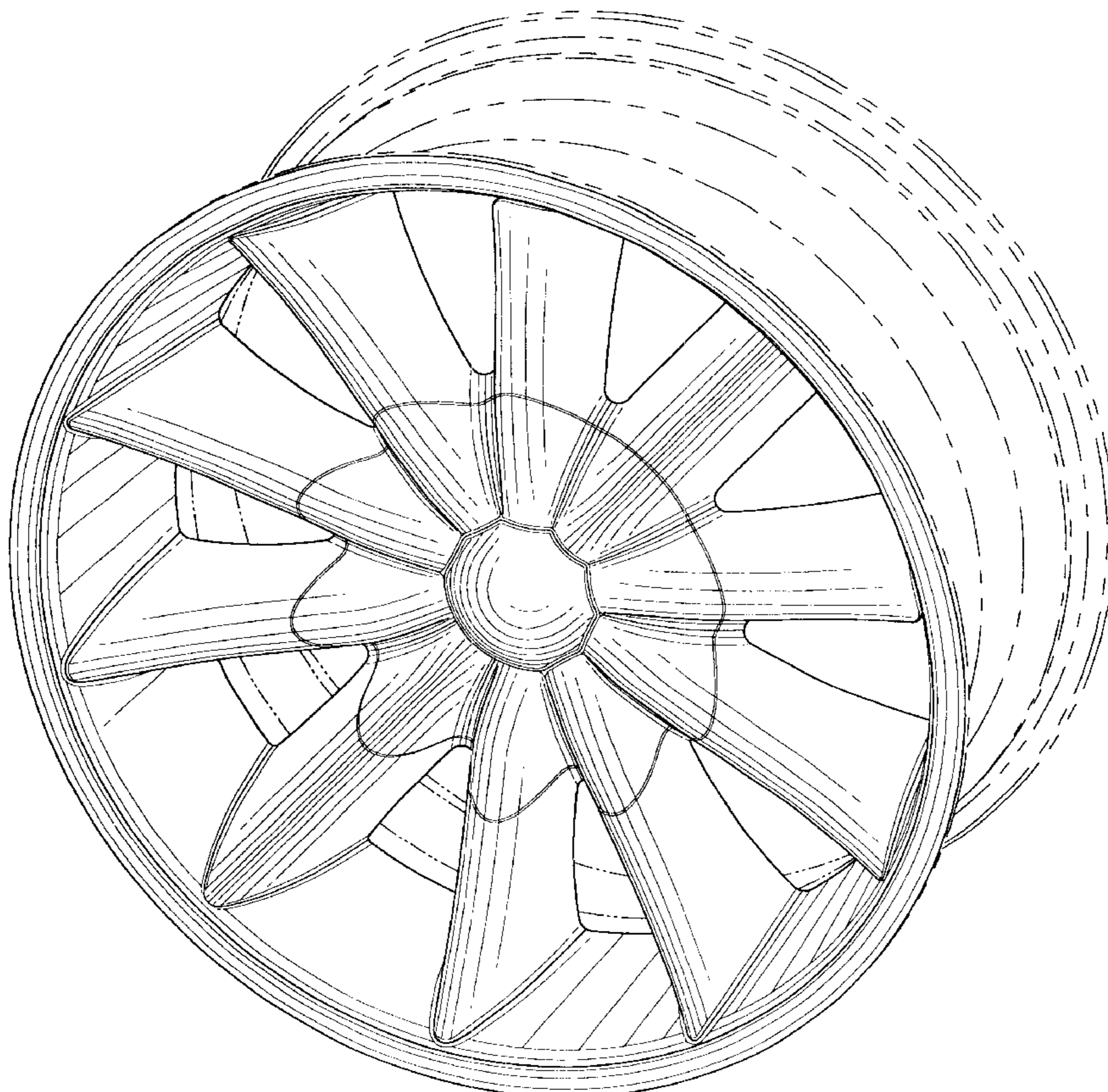


FIG. 1

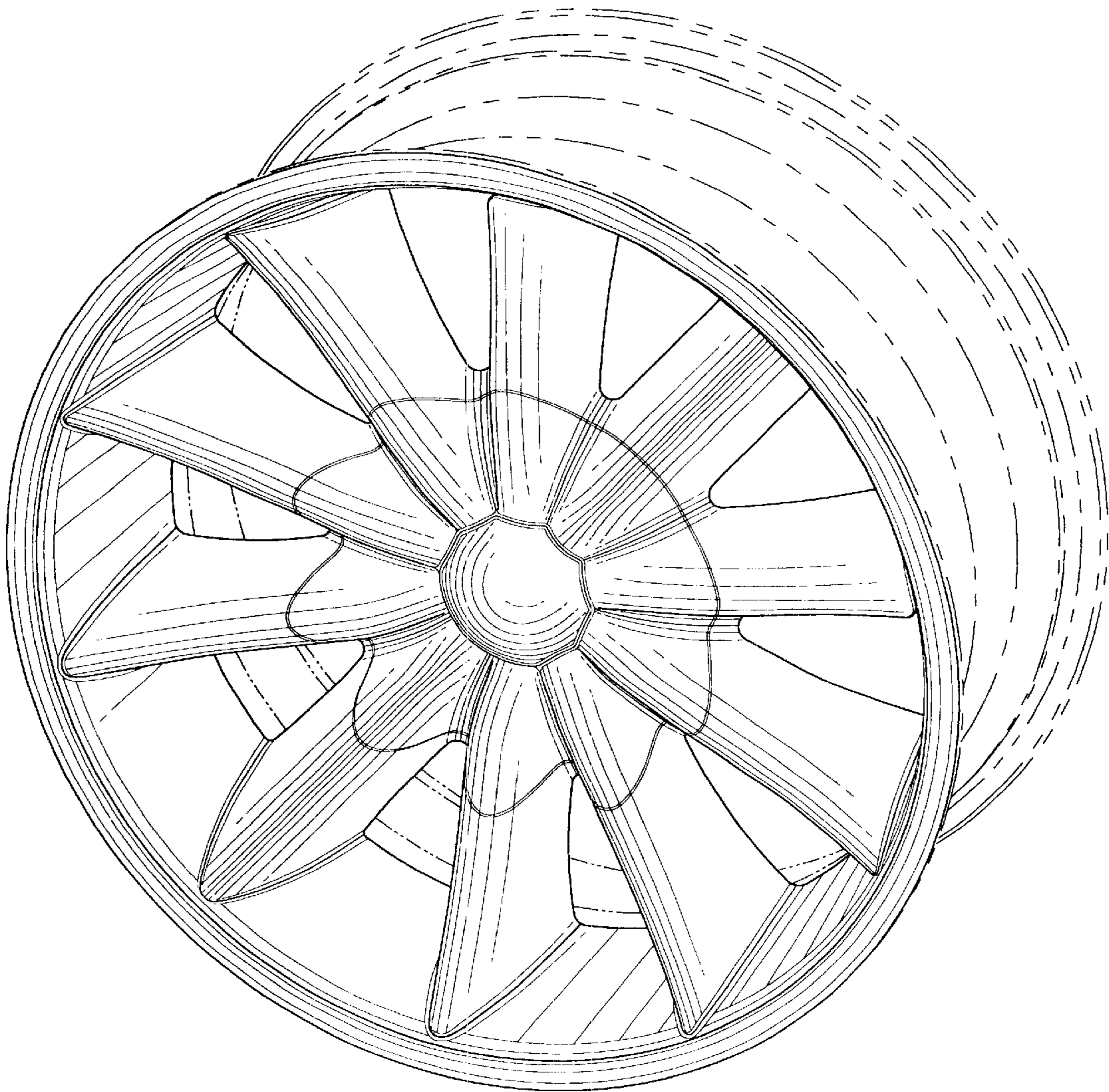


FIG. 2

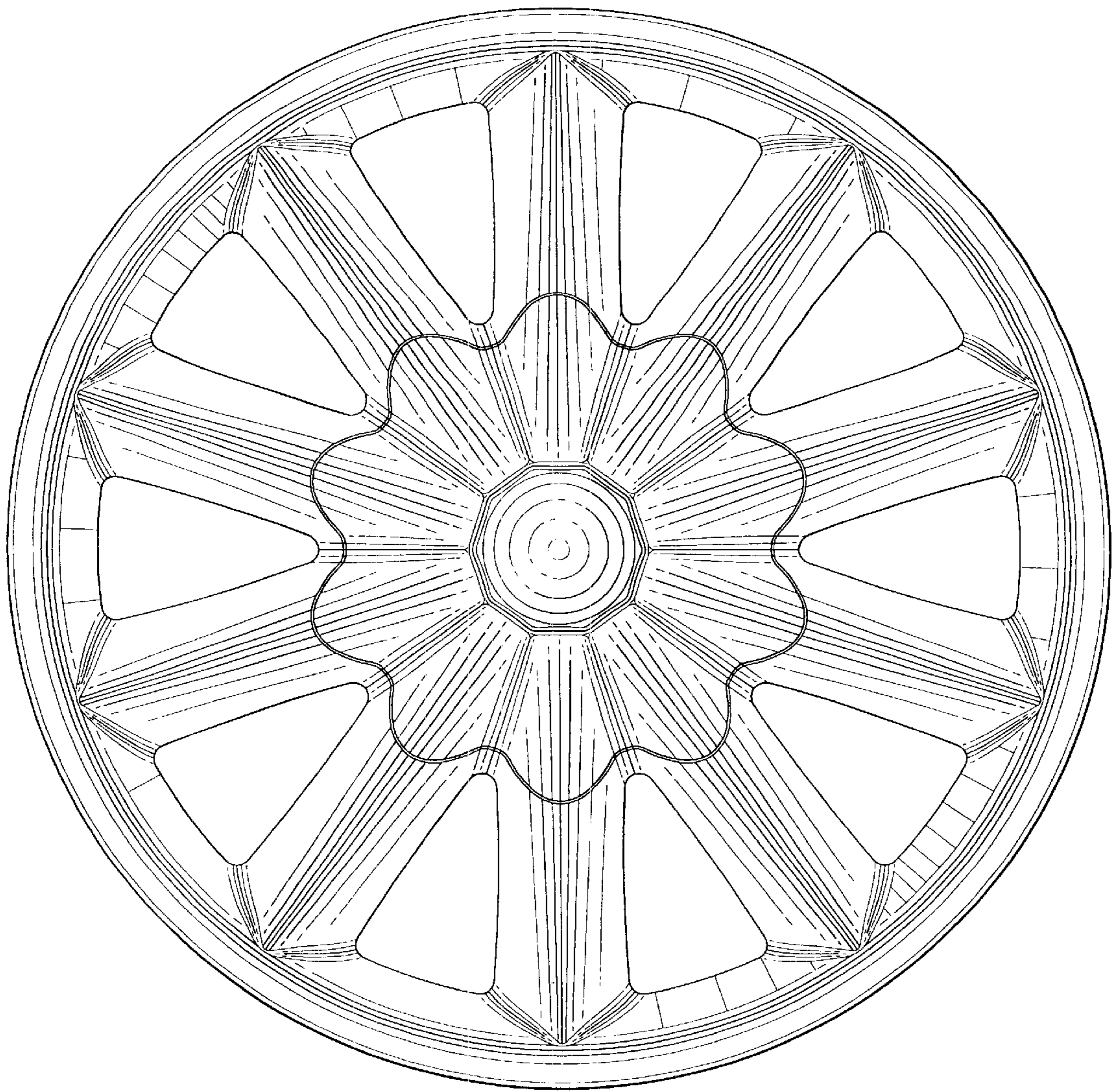


FIG. 3

