



US00D455696S

(12) **United States Design Patent**
Foose

(10) **Patent No.:** **US D455,696 S**

(45) **Date of Patent:** **** Apr. 16, 2002**

(54) **VEHICLE-WHEEL FRONT FACE**

D444,439 S * 7/2001 Cullen D12/211

D446,180 S * 8/2001 Sulahian et al. D12/211

D449,811 S * 10/2001 Fitzgerald D12/211

(75) Inventor: **Douglas S. Foose**, Tustin, CA (US)

(73) Assignee: **Mobile Hi-Tech Wheels**, Torrance, CA (US)

* cited by examiner

Primary Examiner—Stacia Cadmus

(**) Term: **14 Years**

(74) *Attorney, Agent, or Firm*—Christie, Parker & Hale, LLP

(21) Appl. No.: **29/139,661**

(57) **CLAIM**

(22) Filed: **Apr. 4, 2001**

The ornamental design for a vehicle-wheel front face, as shown and described.

(51) **LOC (7) Cl.** **12-16**

(52) **U.S. Cl.** **D12/209**

(58) **Field of Search** D12/204-211;
301/37.1, 64.1, 65

DESCRIPTION

(56) **References Cited**

U.S. PATENT DOCUMENTS

D396,839 S * 8/1998 Cullen D12/211

D412,693 S * 8/1999 Kulla D12/211

D431,807 S * 10/2000 Fitzgerald D12/211

D435,005 S * 12/2000 Chung D12/209

D436,070 S * 1/2001 Lee D12/209

D438,834 S * 3/2001 Ong D12/211

D442,535 S * 5/2001 Lotson D12/209

FIG. 1 is a perspective view of a vehicle-wheel front face according to my new design;

FIG. 2 is a front elevational view thereof;

FIG. 3 is a side elevational view thereof; and,

FIG. 4 is a front view of a second embodiment of the design of FIG. 1, the sole difference being the wheel having five spokes instead of a six spokes as shown in FIGS. 1-3.

Portions of the wheel depicted in broken line are for illustrative purposes only, and form no part of the claimed design.

1 Claim, 4 Drawing Sheets

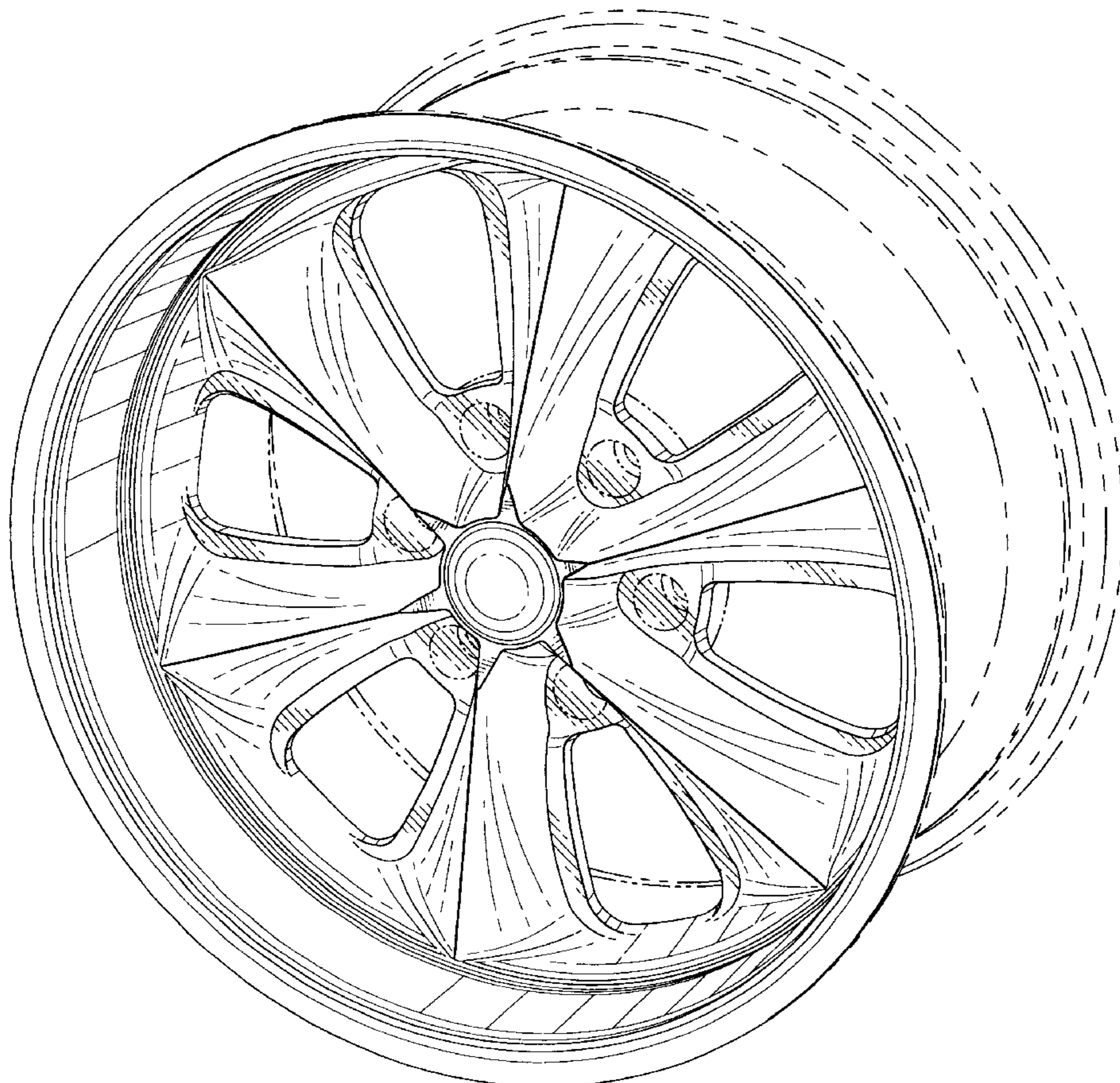


FIG. 1

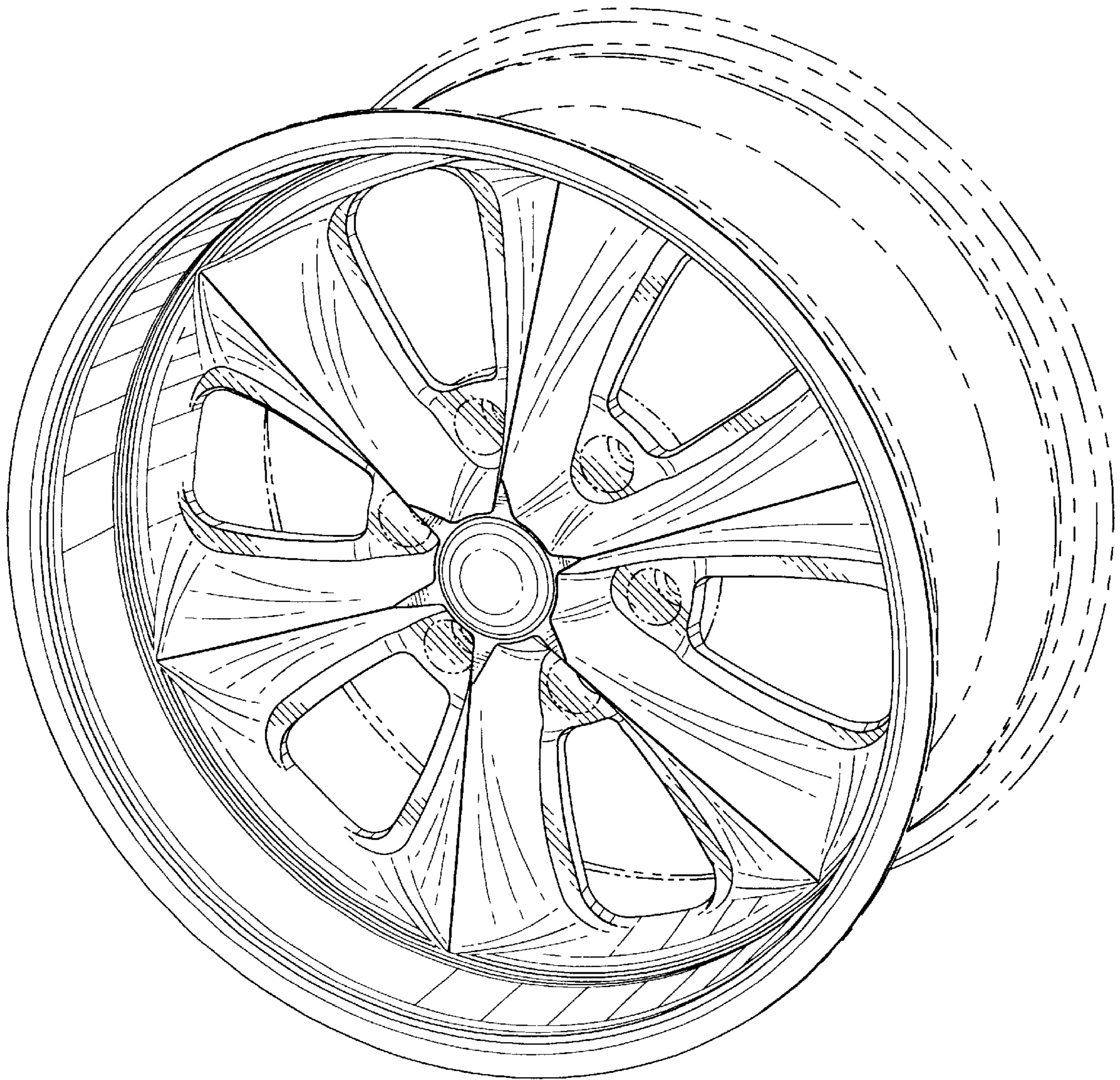


FIG. 2

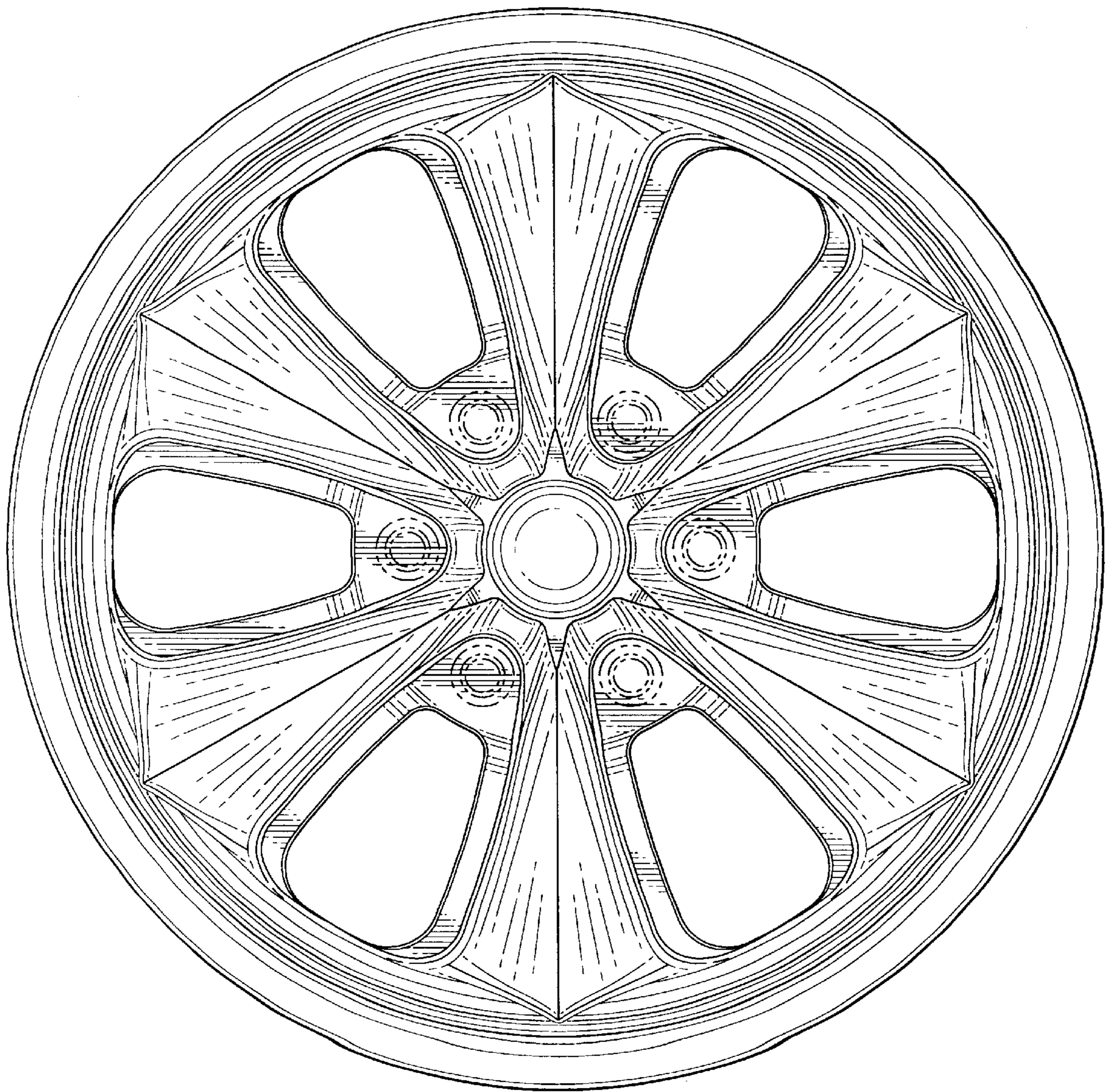


FIG. 3

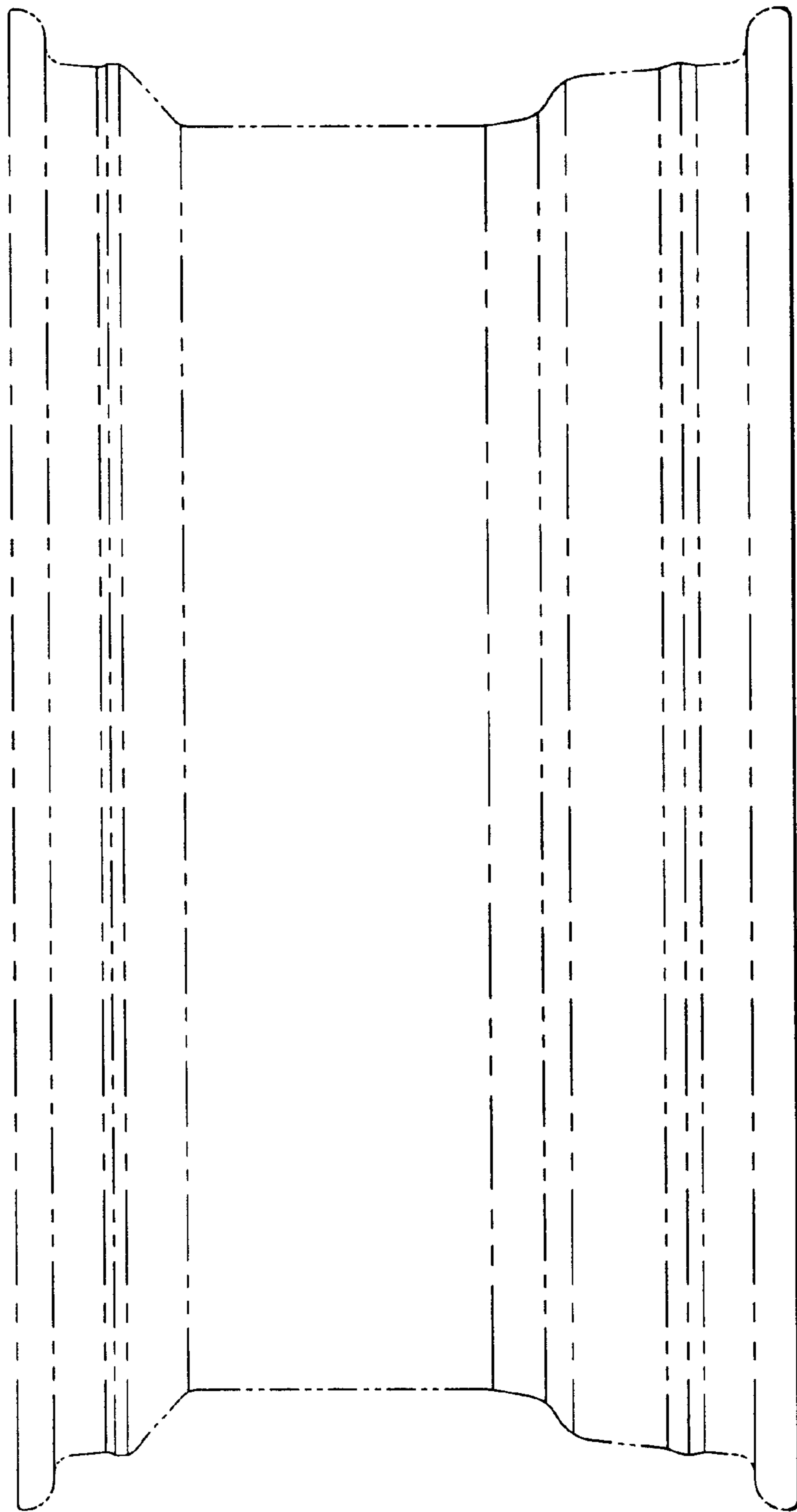


FIG. 4

