



US00D455695S

(12) **United States Design Patent**  
**Kaucher**

(10) **Patent No.:**

**US D455,695 S**

(45) **Date of Patent:**

**\*\* Apr. 16, 2002**

(54) **WHEEL**

(75) **Inventor:** **Keith Martin Kaucher**, Santa Monica,  
CA (US)

(73) **Assignee:** **Ultra Wheel Co.**, Buena Park, CA (US)

(\*\*) **Term:** **14 Years**

(21) **Appl. No.:** **29/136,469**

(22) **Filed:** **Jan. 30, 2001**

(51) **LOC (7) Cl.** ..... **12-16**

(52) **U.S. Cl.** ..... **D12/209**

(58) **Field of Search** ..... D12/204-211;  
301/37.1, 64.1, 65

D244,273 S	*	5/1977	Reppert	.....	D12/211
D270,438 S	*	9/1983	Lombard	.....	D12/209
D361,546 S	*	8/1995	Weld	.....	D12/209
D385,837 S	*	11/1997	Muller	.....	D12/209
D397,662 S	*	9/1998	Lejuerne	.....	D12/209
D416,533 S	*	11/1999	Sulahian	.....	D12/211
D424,502 S	*	5/2000	Noriega	.....	D12/213
D427,960 S	*	7/2000	Sacco et al.	.....	D12/209

\* cited by examiner

*Primary Examiner*—Stacia Cadmus

(74) *Attorney, Agent, or Firm*—Christie, Parker & Hale,  
LLP

(57) **CLAIM**

The ornamental design for a wheel, as shown and described.

**DESCRIPTION**

FIG. 1 is a perspective view of a wheel showing my new design;

FIG. 2 is a front elevational view thereof; and,

FIG. 3 is a cross-sectional view thereof taken along the line 3—3 in FIG. 2.

The broken line disclosure in FIGS. 1-3 is for illustrative purposes only and forms no part of the claimed design.

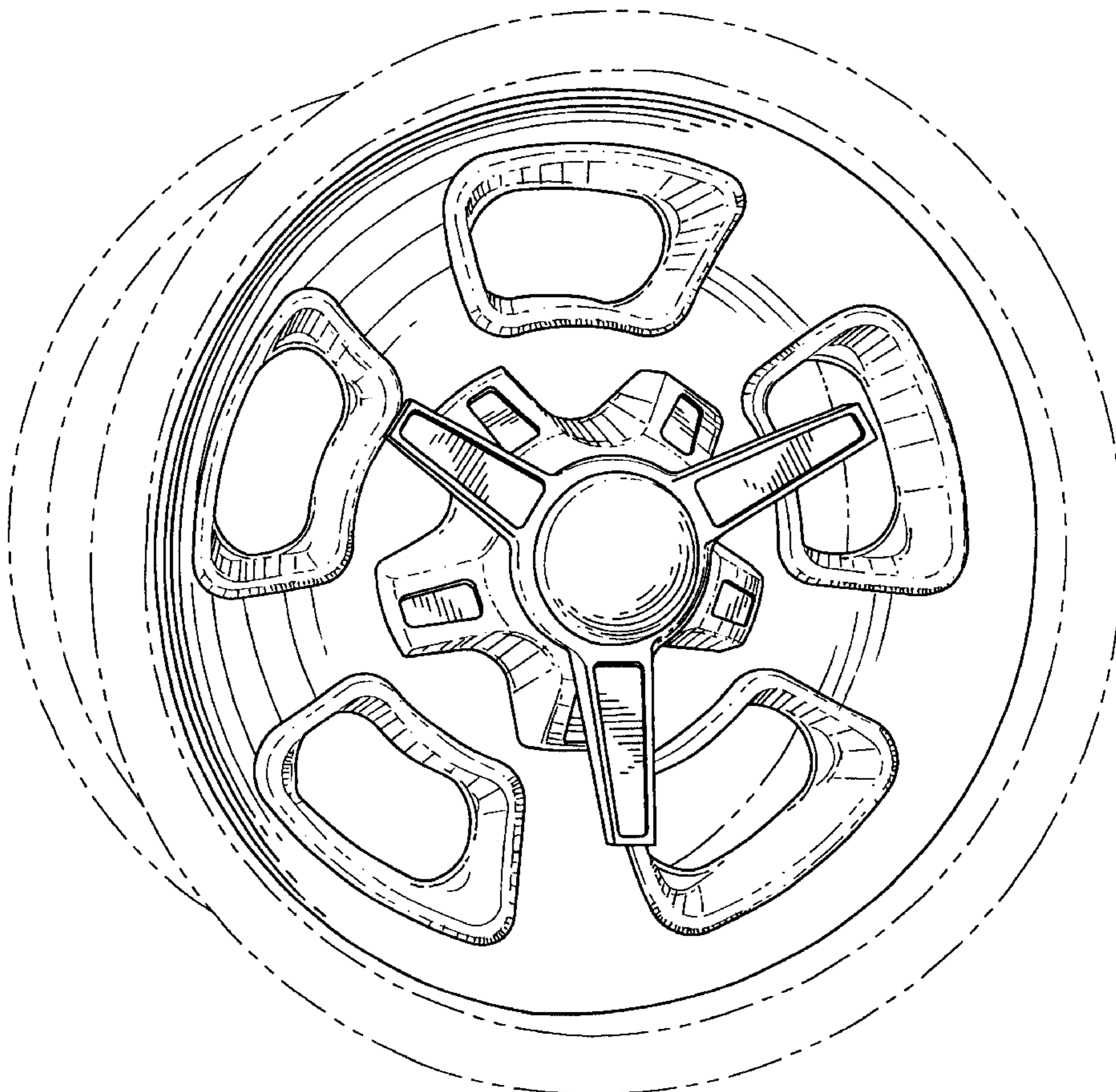
The rear of the wheel forms no part of the claimed design.

**1 Claim, 2 Drawing Sheets**

(56) **References Cited**

**U.S. PATENT DOCUMENTS**

D196,791 S	*	11/1963	Knight	.....	D12/211
D207,951 S	*	6/1967	Hibbard	.....	D12/209
D213,315 S	*	2/1969	Reid	.....	D12/209
D222,446 S	*	10/1971	Buerger	.....	D12/211
D223,534 S	*	5/1972	Reid	.....	D12/209
D231,656 S	*	5/1974	Ishibashi	.....	D12/209
D235,432 S	*	6/1975	May	.....	D12/209
D238,063 S	*	12/1975	Clement	.....	D12/209
D241,830 S	*	10/1976	Patch	.....	D12/211



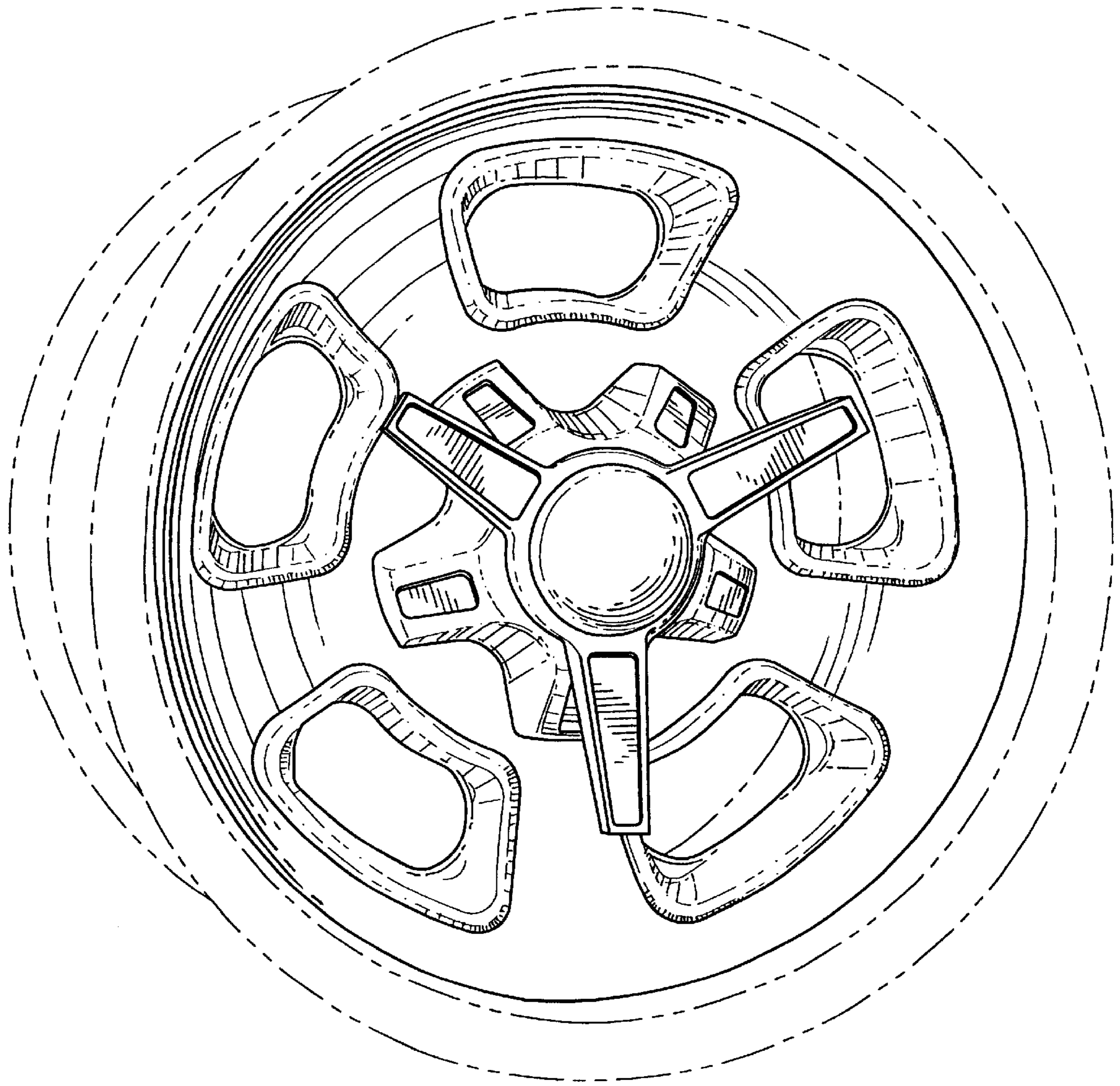


FIG. 1

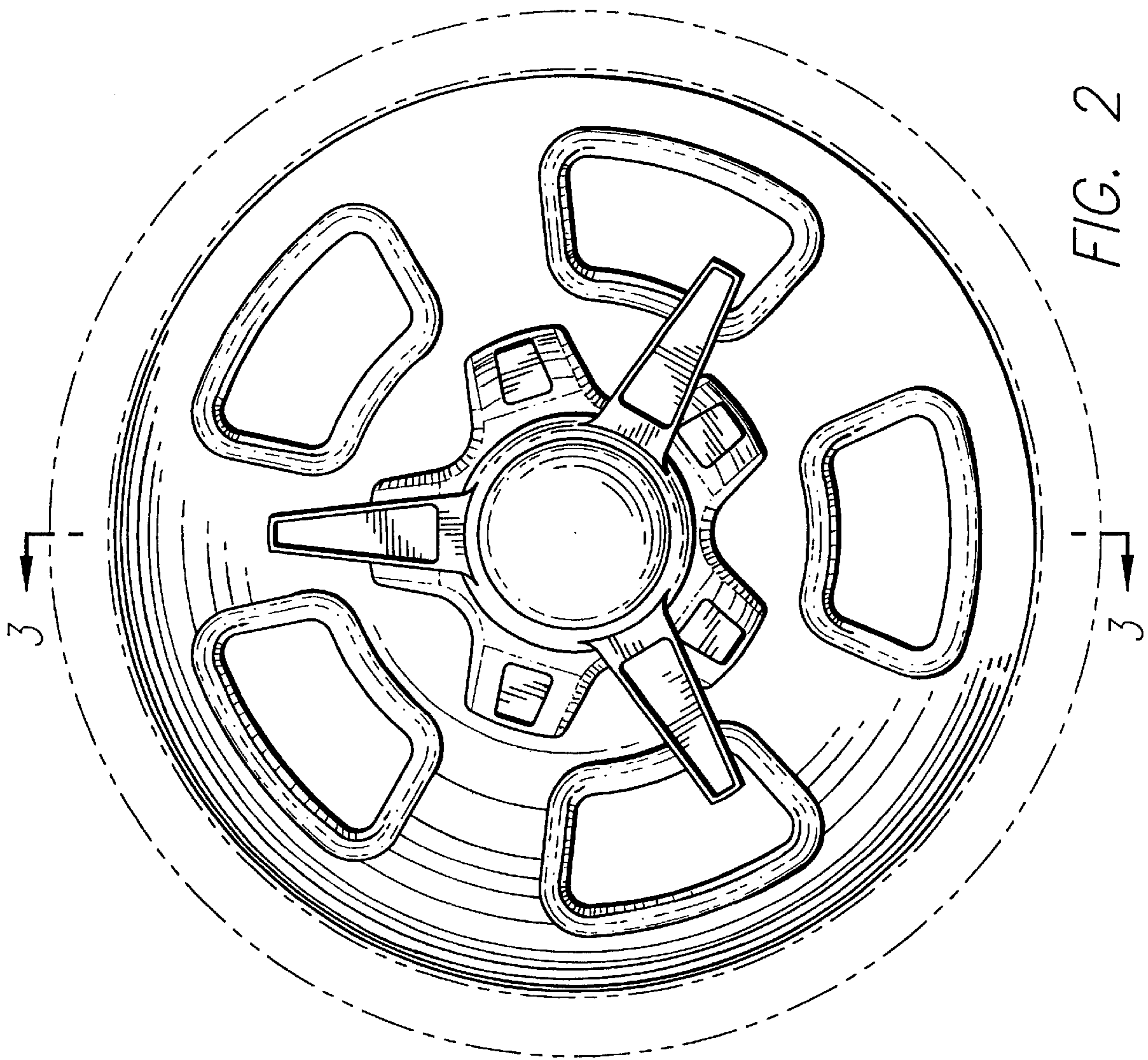


FIG. 2

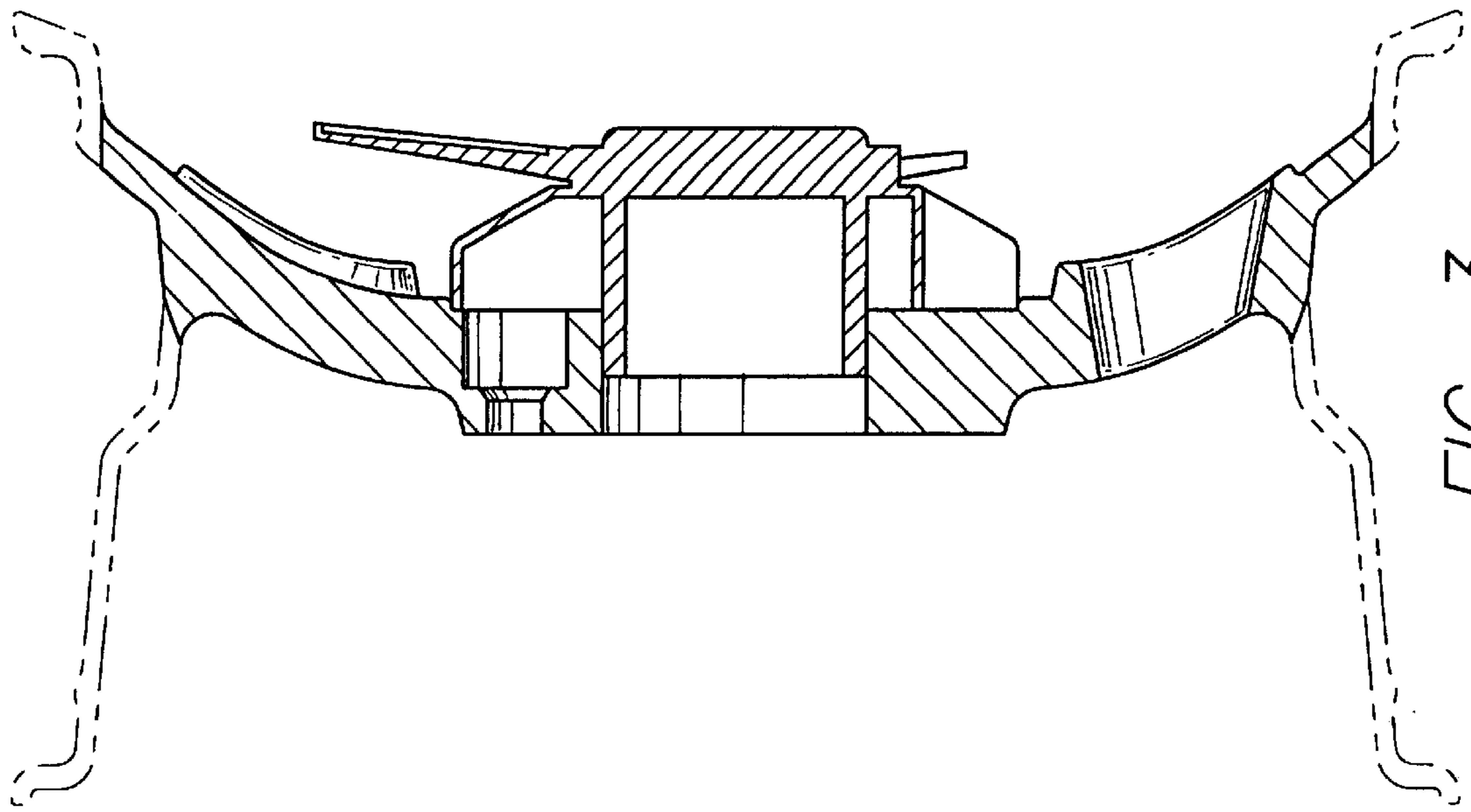


FIG. 3