



US00D455694S

(12) **United States Design Patent**
Kaucher

(10) **Patent No.:** **US D455,694 S**

(45) **Date of Patent:** **** Apr. 16, 2002**

(54) **WHEEL**

(75) **Inventor:** **Keith Martin Kaucher**, Santa Monica, CA (US)

(73) **Assignee:** **Ultra Wheel Co.**, Buena Park, CA (US)

(**) **Term:** **14 Years**

(21) **Appl. No.:** **29/136,432**

(22) **Filed:** **Jan. 30, 2001**

(51) **LOC (7) Cl.** **12-16**

(52) **U.S. Cl.** **D12/209**

(58) **Field of Search** D12/204-211;
301/37.1, 64.1, 65

D396,681 S	*	8/1998	Boyer	D12/209
D401,899 S	*	12/1998	Pfeiffer	D12/209
D408,776 S	*	4/1999	Sacco et al.	D12/209
D416,531 S	*	11/1999	Gabath	D12/209
D416,533 S	*	11/1999	Sulahian	D12/211
D424,502 S	*	5/2000	Noriega	D12/213

* cited by examiner

Primary Examiner—Stacia Cadmus

(74) *Attorney, Agent, or Firm*—Christie, Parker & Hale, LLP

(57) **CLAIM**

The ornamental design for a wheel, as shown and described.

DESCRIPTION

FIG. 1 is a perspective view of a wheel showing my new design;

FIG. 2 is a front elevational view thereof; and,

FIG. 3 is a cross-sectional view thereof taken along the line 3—3 in FIG. 2.

The broken line disclosure in FIGS. 1-3 is for illustrative purposes only and forms no part of the claimed design.

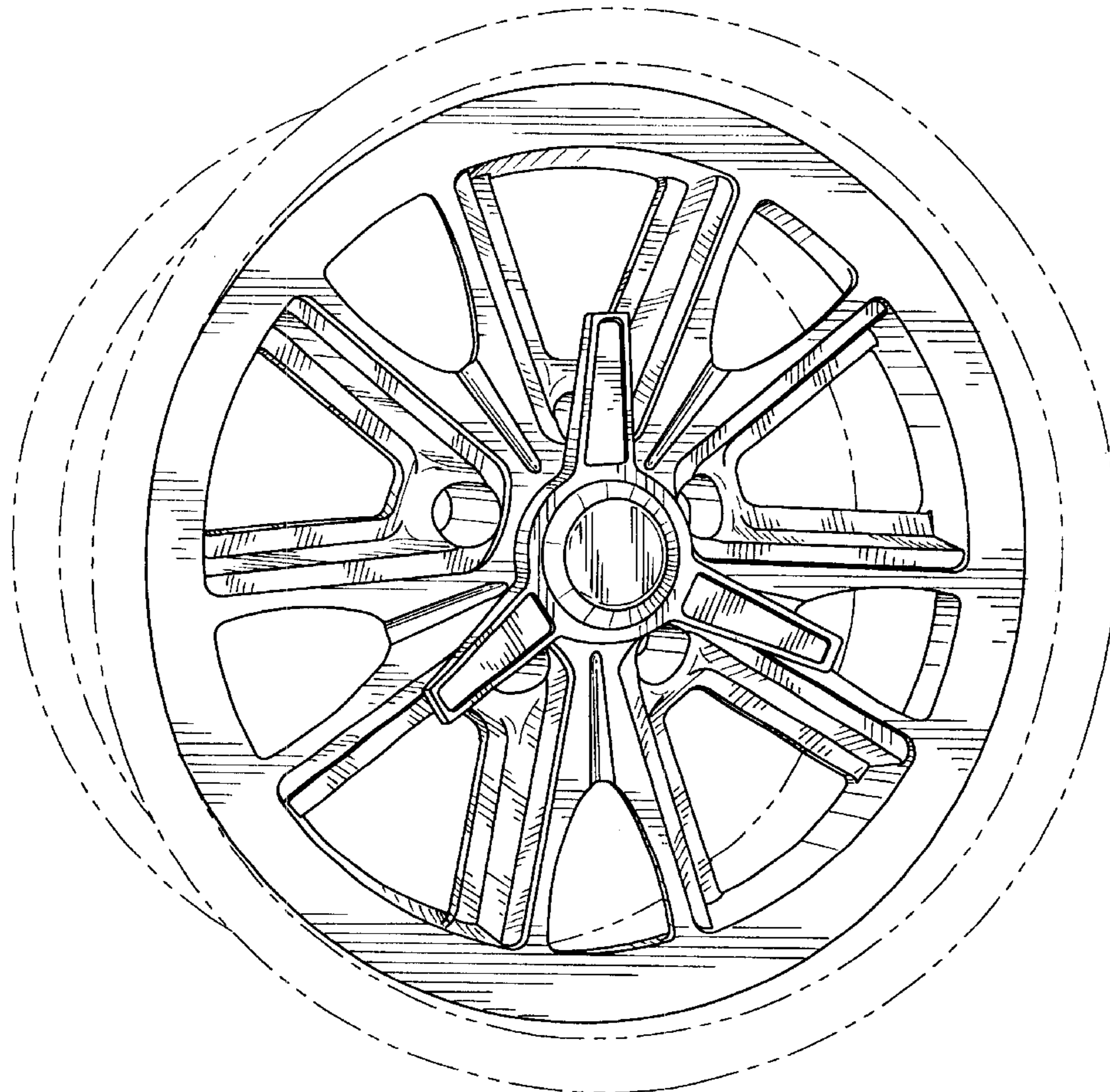
The rear of the wheel forms no part of the claimed design.

1 Claim, 2 Drawing Sheets

(56) **References Cited**

U.S. PATENT DOCUMENTS

D196,791 S	*	11/1963	Knight	D12/211
D236,610 S	*	9/1975	Clement	D12/209
D288,431 S	*	2/1987	Arai	D12/211
D302,004 S	*	7/1989	Chapman et al.	D12/211
D325,018 S	*	3/1992	Nordmann	D12/209
D325,019 S	*	3/1992	Boyer	D12/211



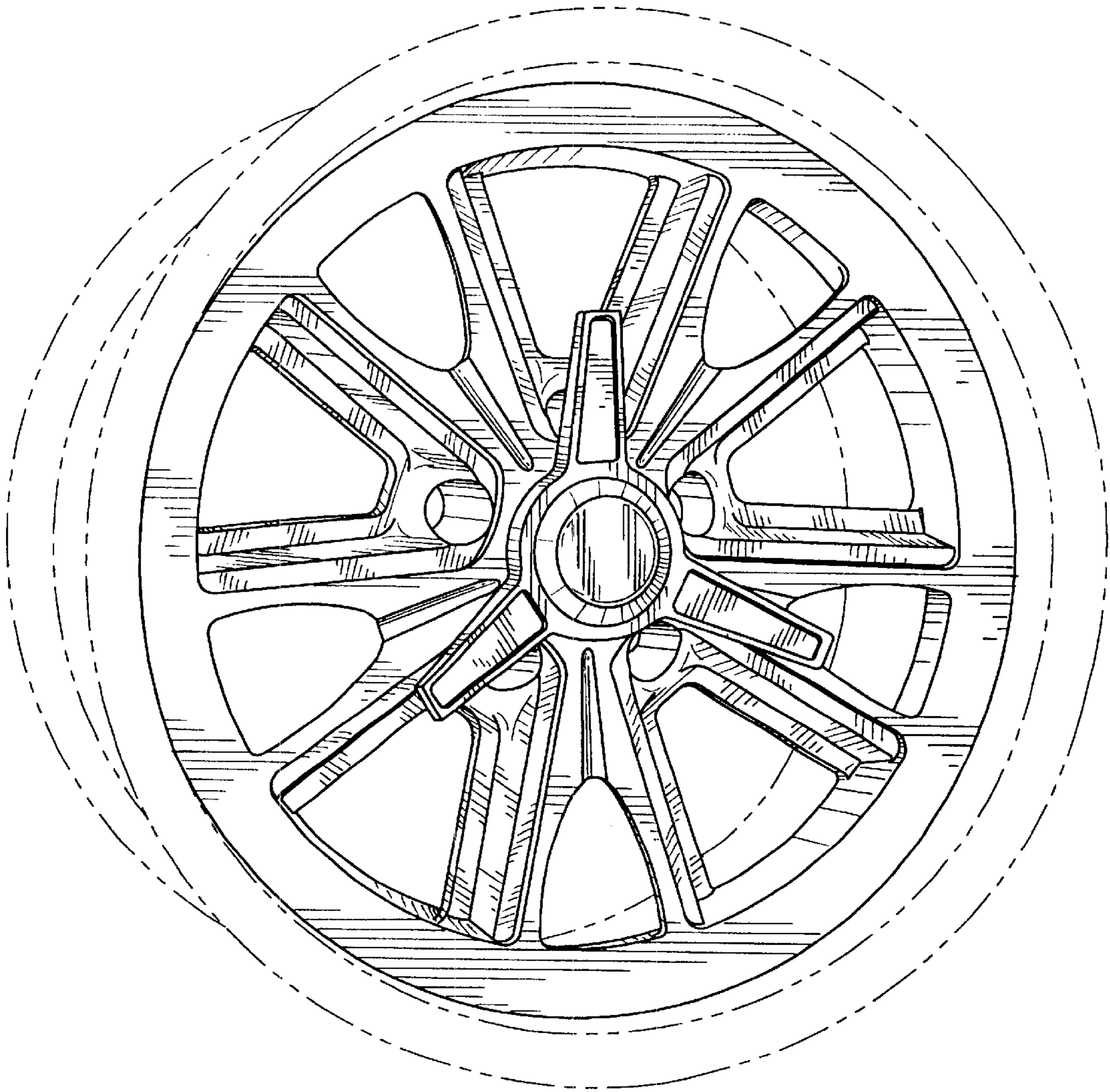


FIG. 1

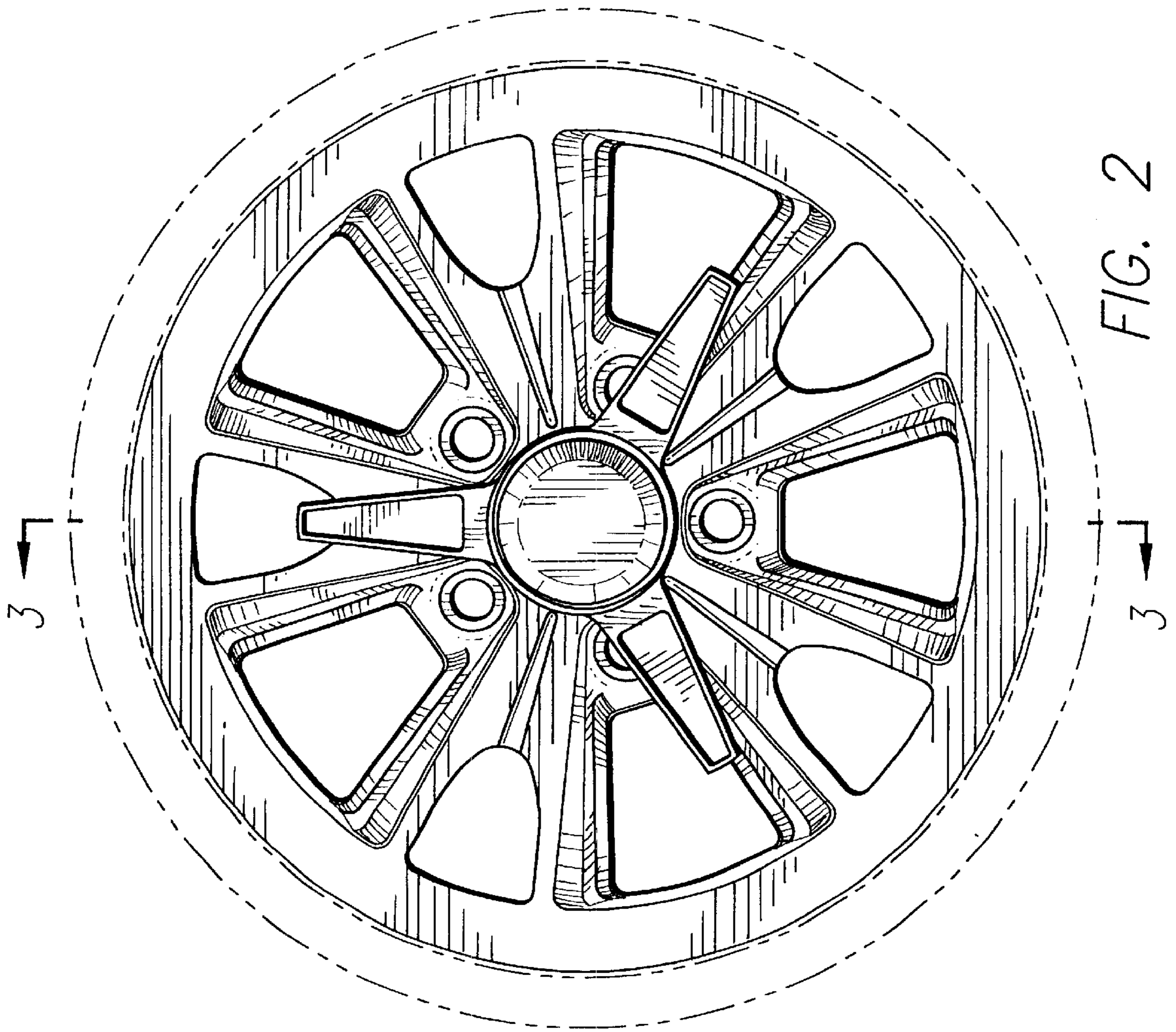


FIG. 2

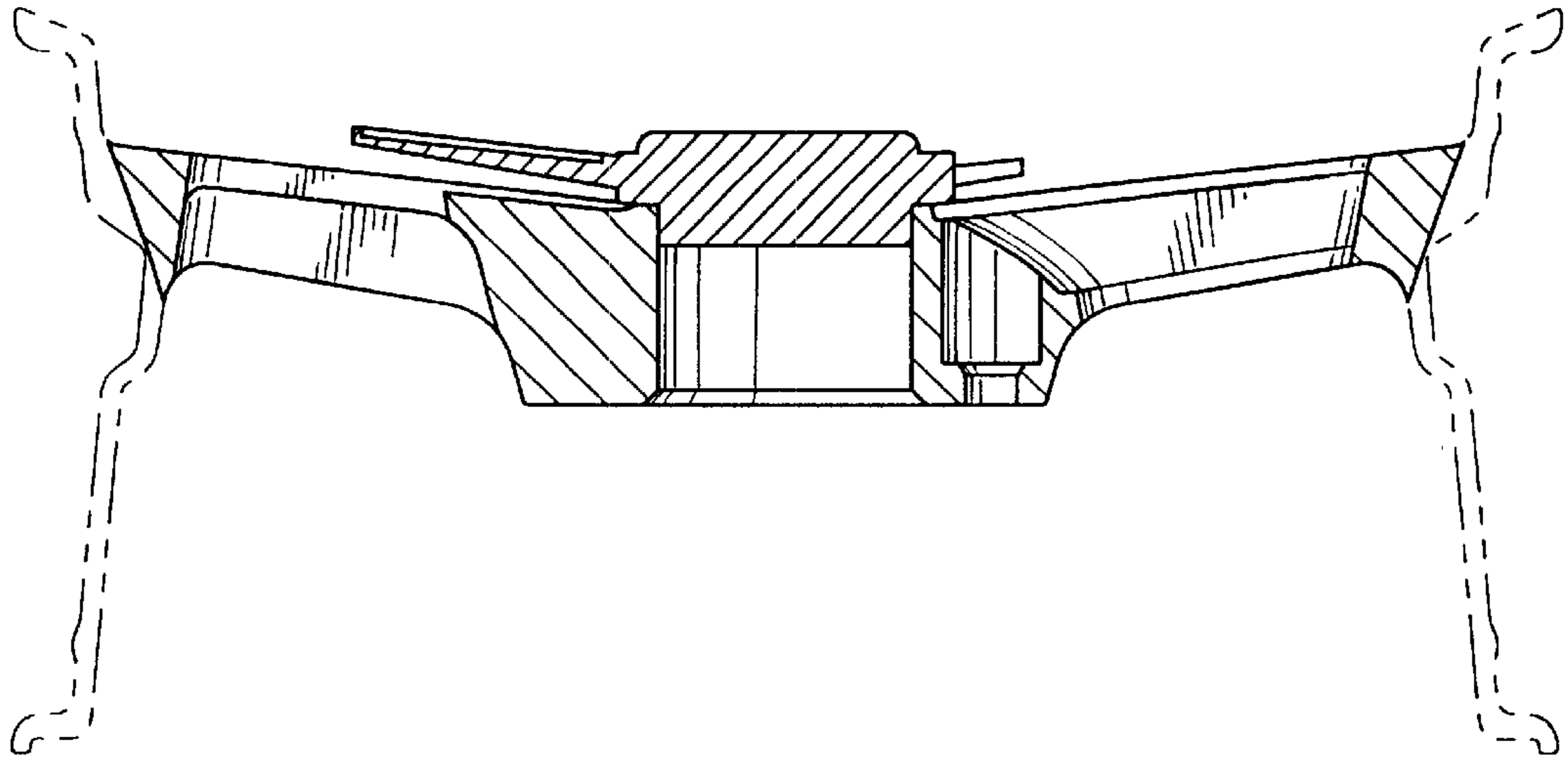


FIG. 3