



US00D455688S

(12) **United States Design Patent**
Conway

(10) **Patent No.:** **US D455,688 S**

(45) **Date of Patent:** **** Apr. 16, 2002**

- (54) **FENDER LINER FOR A TRUCK**
- (75) Inventor: **Scott M. Conway**, Flower Mound, TX (US)
- (73) Assignee: **Paccar INC**, Bellevue, WA (US)
- (**) Term: **14 Years**
- (21) Appl. No.: **29/146,651**
- (22) Filed: **Aug. 13, 2001**

- D393,436 S * 4/1998 Williams D12/173
- D412,689 S * 8/1999 Onopa D12/173
- D424,001 S * 5/2000 Englander D12/187
- D426,800 S * 6/2000 Zimmerman D12/173
- D432,472 S * 10/2000 Tart D12/185
- D436,563 S * 1/2001 Delashaw et al. D12/173

* cited by examiner

Primary Examiner—Melody N. Brown

(74) *Attorney, Agent, or Firm*—Sidley Austin Brown & Wood LLP

Related U.S. Application Data

- (62) Division of application No. 29/117,628, filed on Jan. 28, 2000.
- (51) **LOC (7) Cl.** **12-16**
- (52) **U.S. Cl.** **D12/185**
- (58) **Field of Search** D12/185, 196, D12/93, 96, 106, 173, 223; 280/414.3, 847, 849-851, 160, 154; 296/190; 180/69.2, 89.1, 89.12

References Cited

U.S. PATENT DOCUMENTS

- 5,267,752 A * 12/1993 Miller 280/848
- 5,460,411 A * 10/1995 Becker 280/851
- D367,027 S * 2/1996 Onopa D12/173

(57) **CLAIM**

The ornamental design for a fender liner for a truck, as shown and described.

DESCRIPTION

FIG. 1 is a perspective view of a fender liner for a truck of my new design which is suitable for use on the left side of a truck cab;

FIG. 2 is a front view of FIG. 1;

FIG. 3 is a back view of FIG. 1;

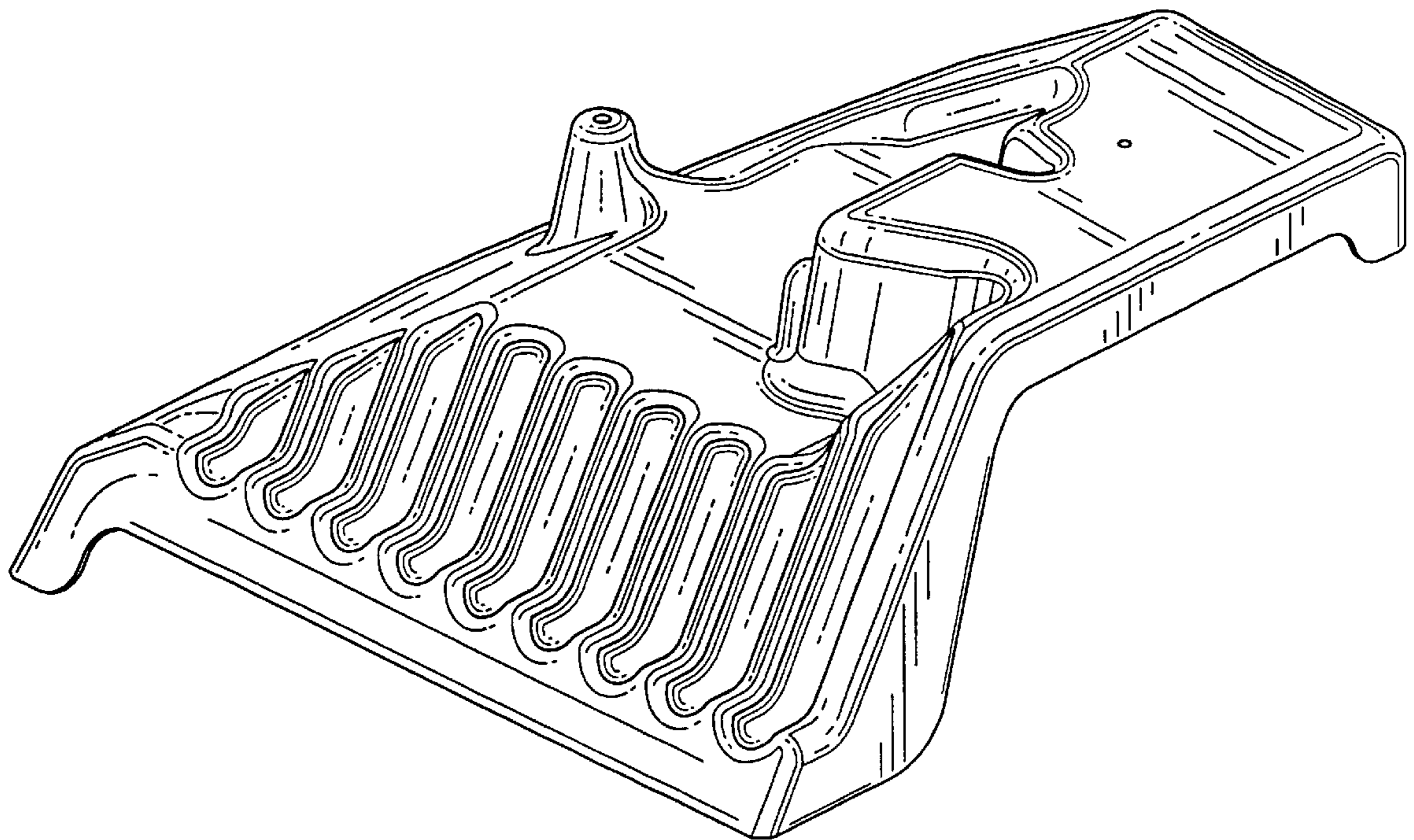
FIG. 4 is a top view of FIG. 1;

FIG. 5 is a left side view of FIG. 1; and,

FIG. 6 is a right side view of FIG. 1.

The broken lines shown in FIGS. 3 and 6 are for illustrative purposes only and form no part of the claimed design.

1 Claim, 6 Drawing Sheets



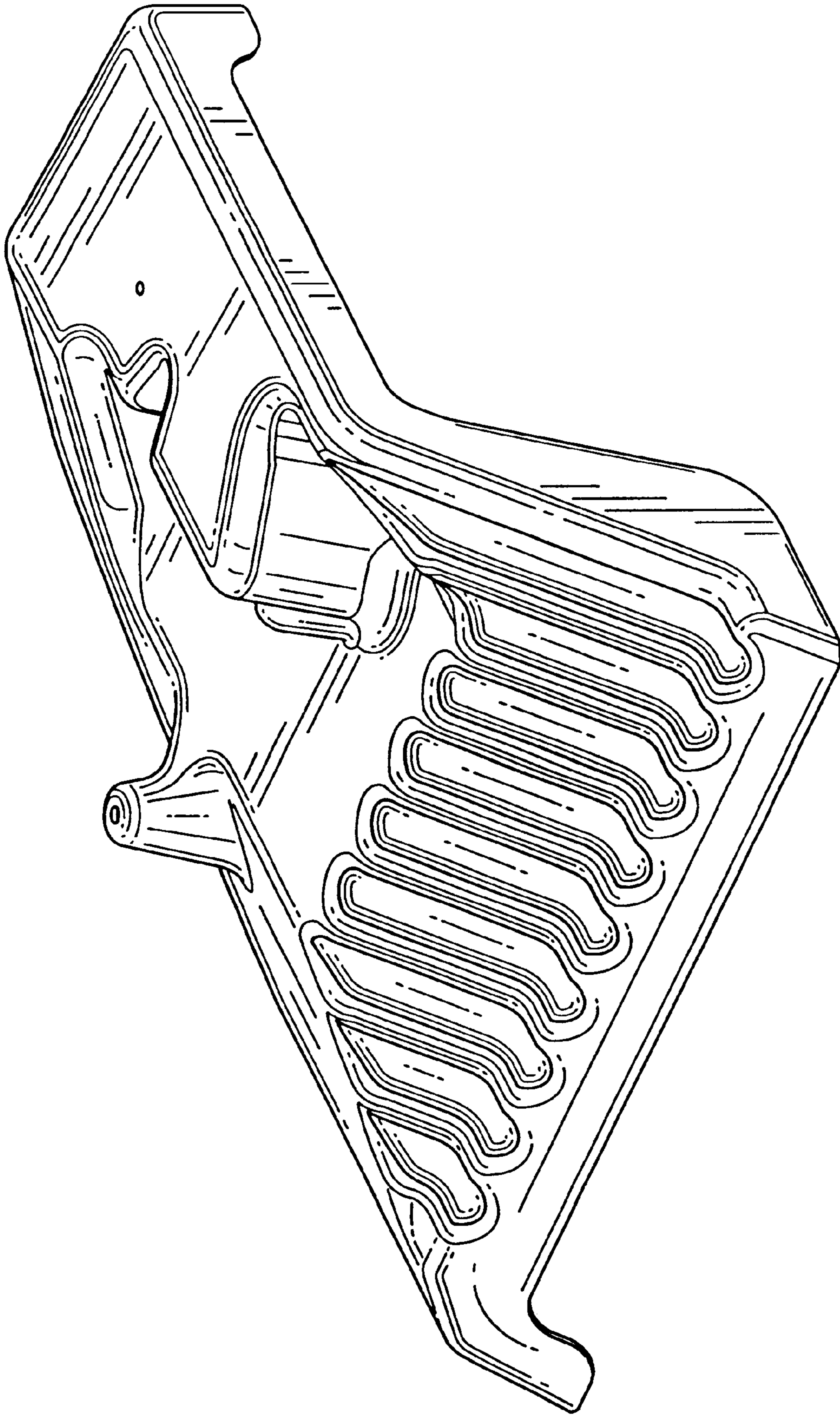


FIG. 1

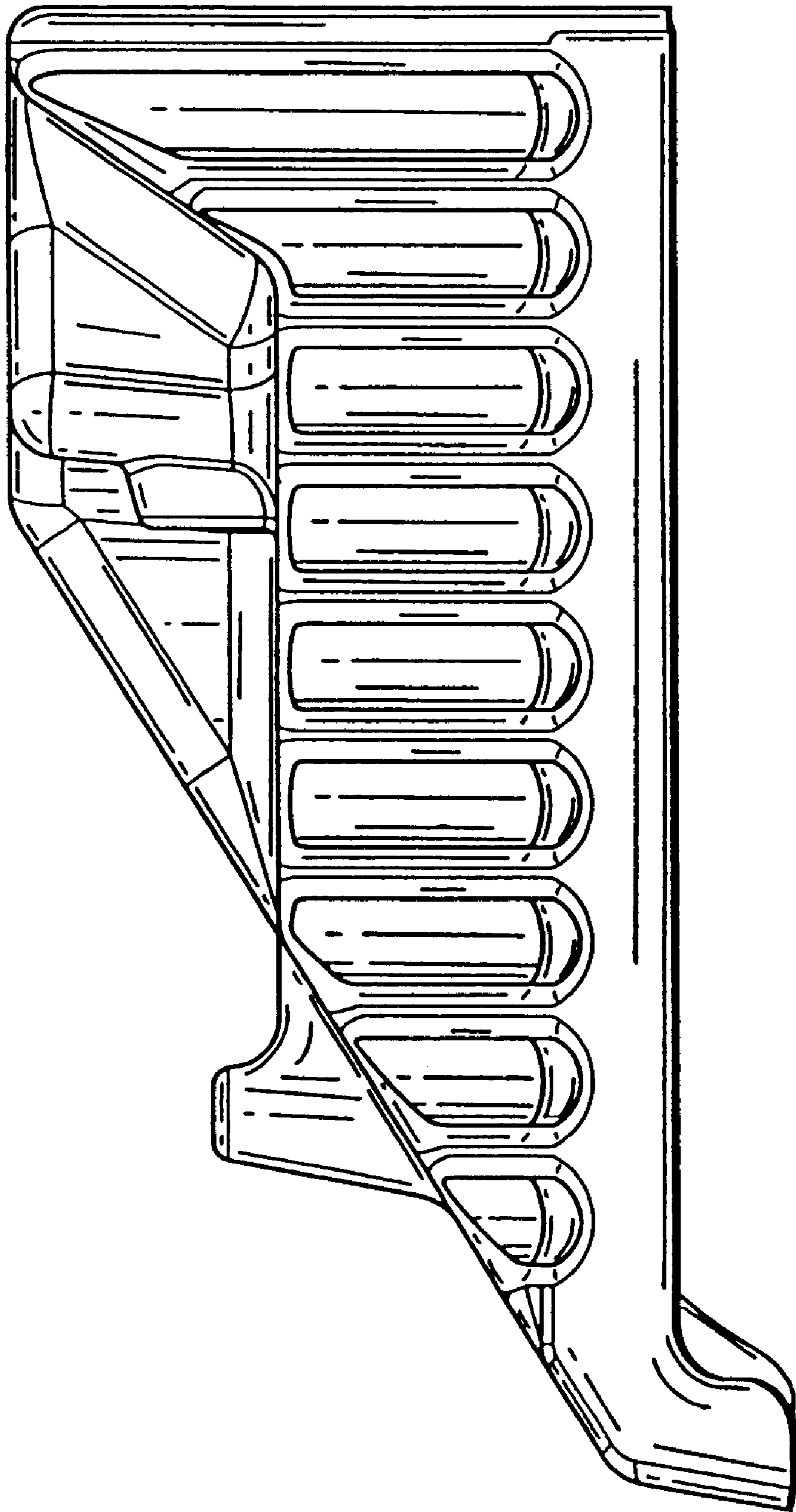


FIG. 2

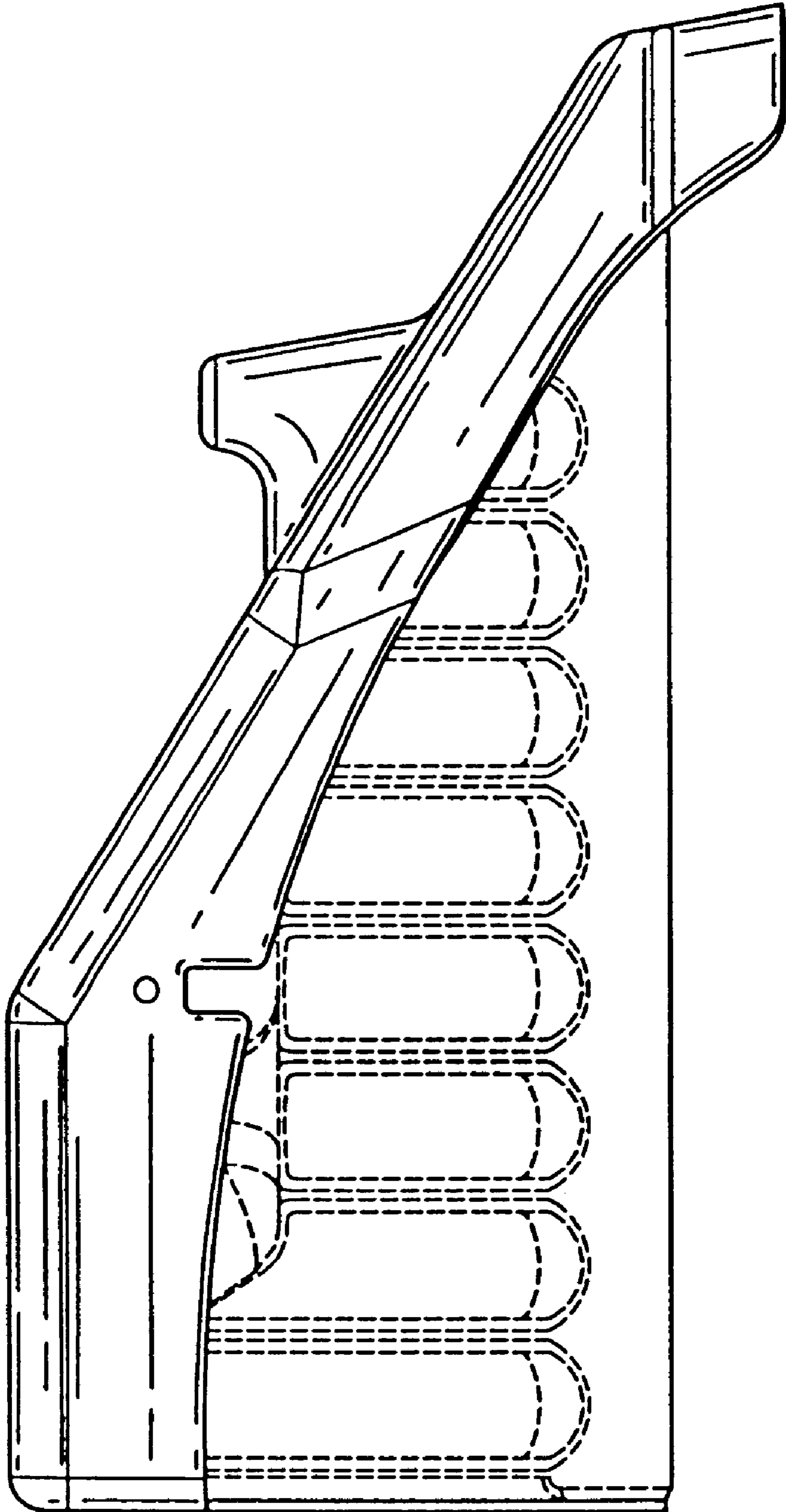


FIG. 3

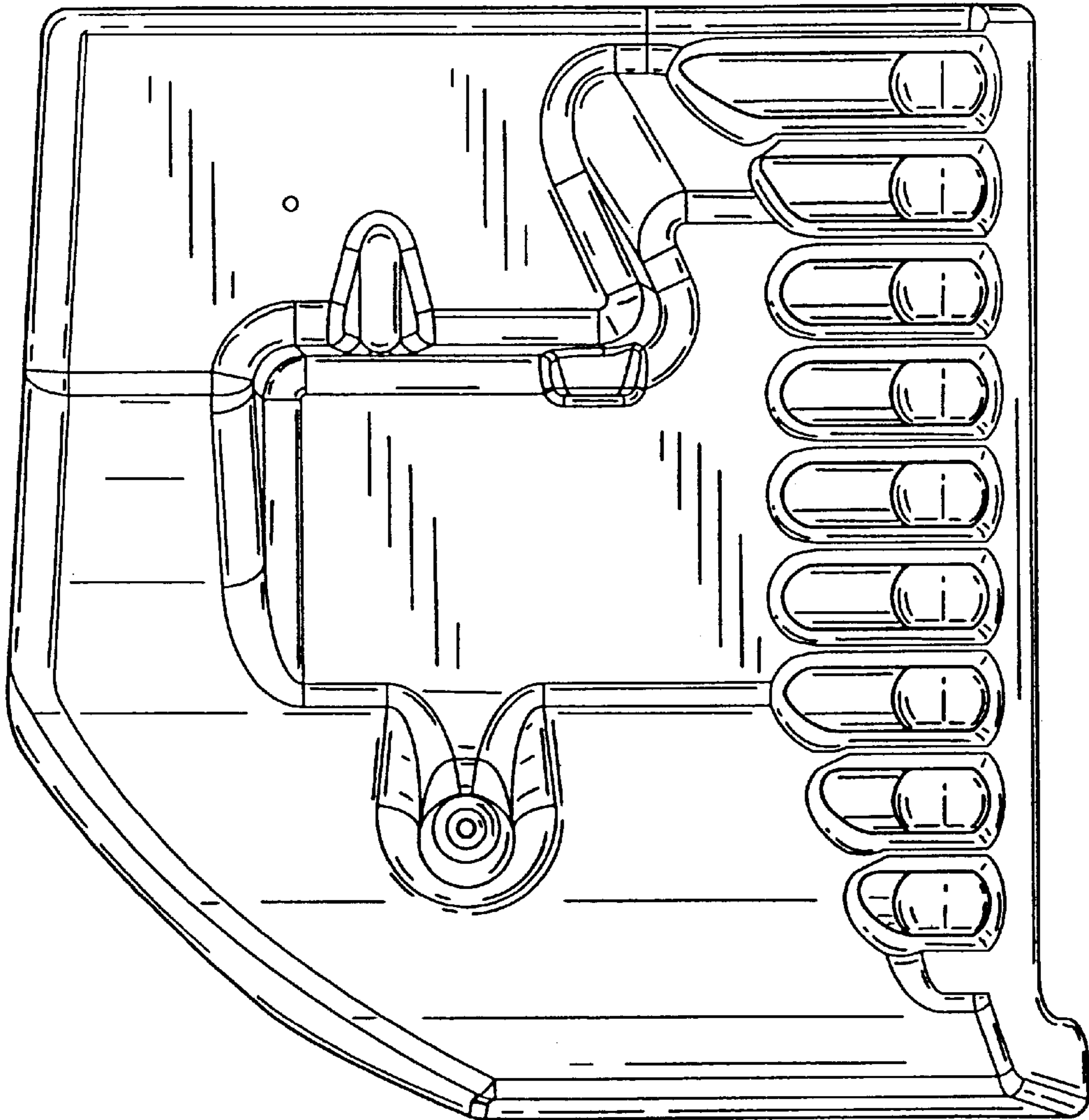


FIG. 4

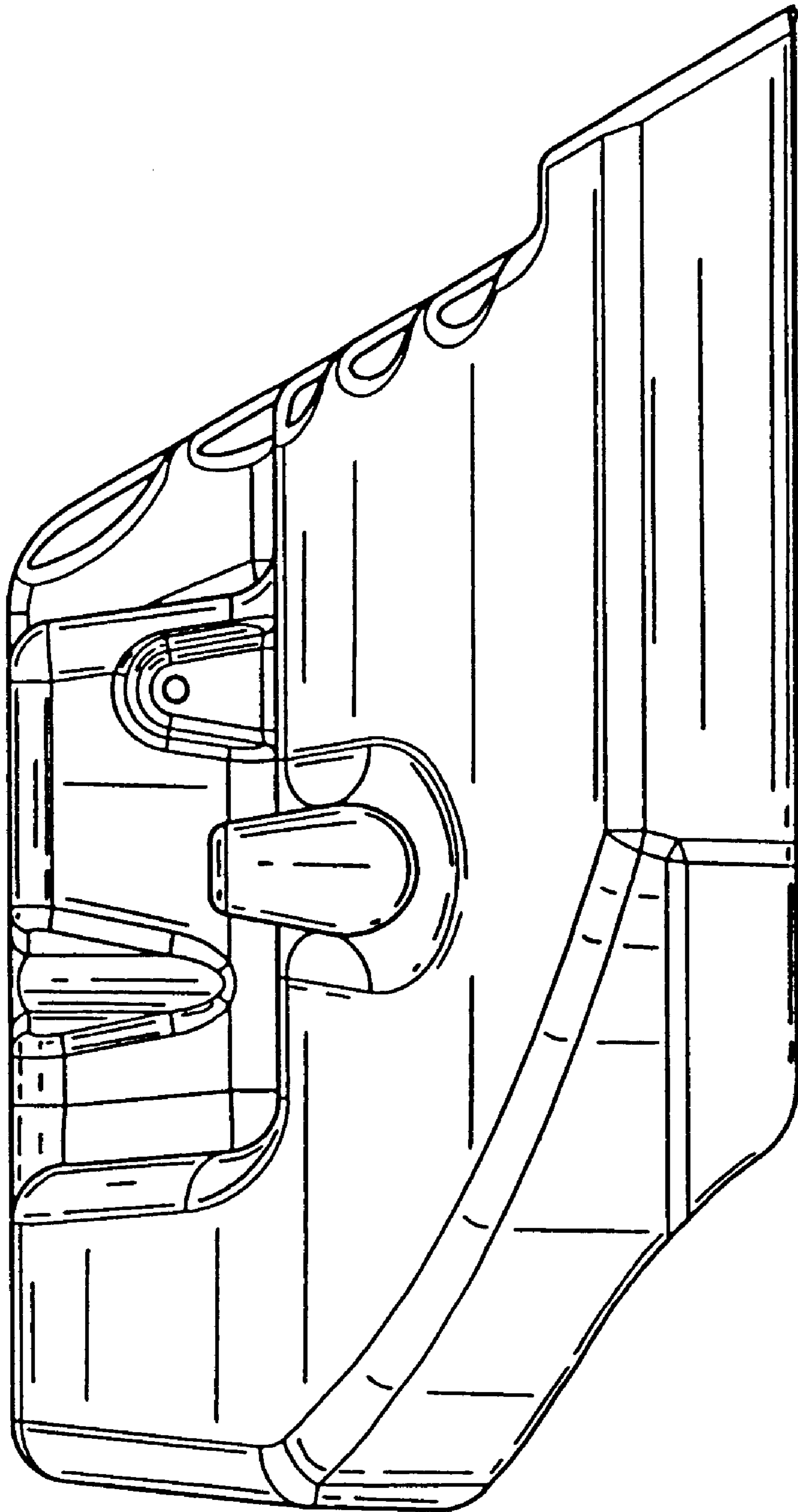


FIG. 5

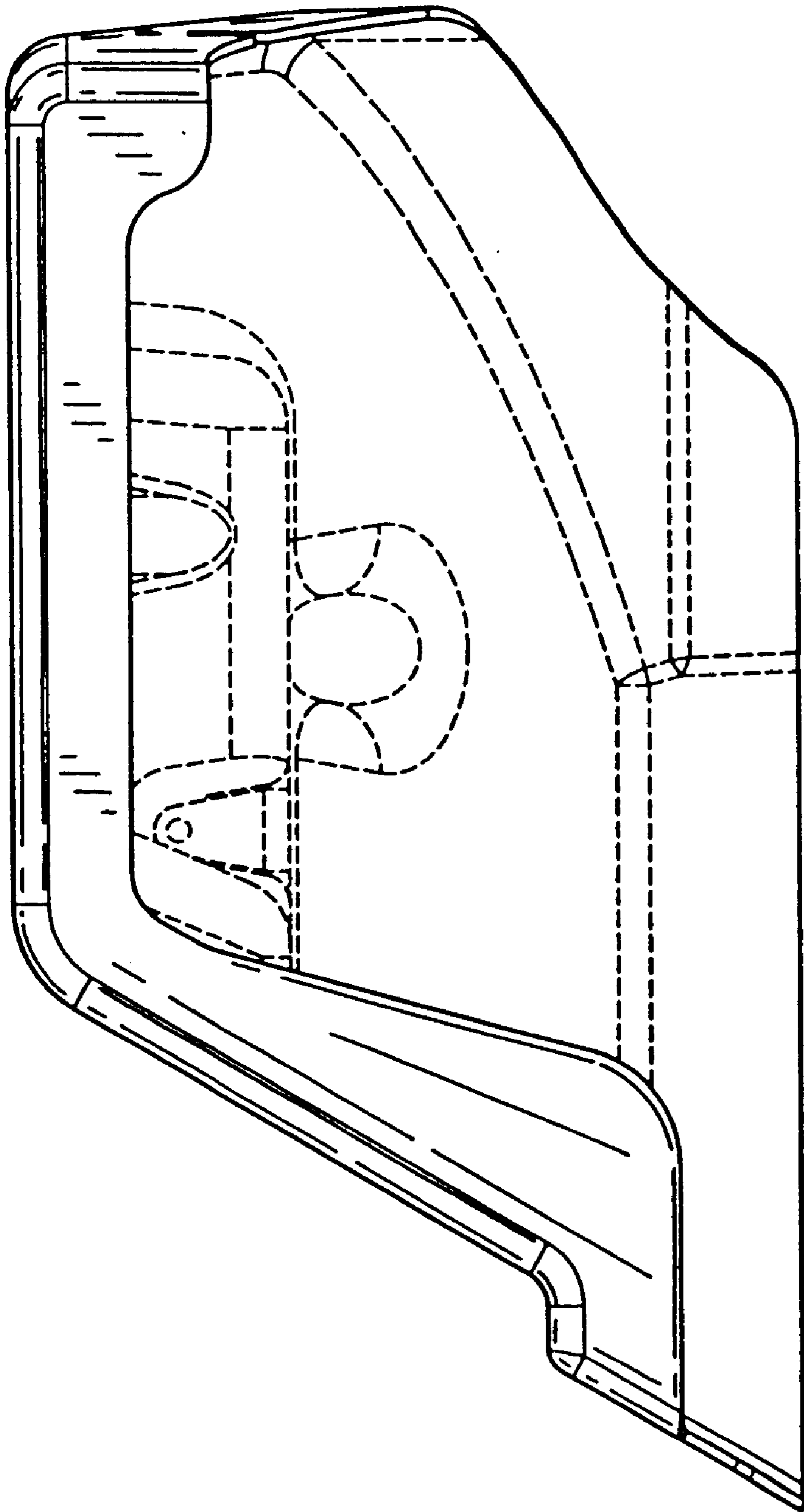


FIG. 6