



US00D455677S

(12) **United States Design Patent**  
**Kokubu et al.**

(10) **Patent No.:** **US D455,677 S**

(45) **Date of Patent:** **\*\* Apr. 16, 2002**

(54) **MOTOR SCOOTER**

(75) Inventors: **Takahiro Kokubu; Takahiro Asakawa,**  
both of Wako (JP)

(73) Assignee: **Honda Giken Kogyo Kabushiki**  
**Kaisha, Tokyo (JP)**

(\*\*) Term: **14 Years**

(21) Appl. No.: **29/138,075**

(22) Filed: **Mar. 7, 2001**

(30) **Foreign Application Priority Data**

Sep. 7, 2000 (JP) ..... 2000-024978

(51) **LOC (7) Cl.** ..... **12-11**

(52) **U.S. Cl.** ..... **D12/110**

(58) **Field of Search** ..... **D12/110; 180/219**

(56) **References Cited**

**FOREIGN PATENT DOCUMENTS**

JP	981091	5/1997
JP	1062380	2/2000
JP	1091302	11/2000

JP	1091546	11/2000
JP	1091548	11/2000
JP	1099535	2/2001
JP	1099536	2/2001

*Primary Examiner*—Alan P. Douglas

*Assistant Examiner*—Linda Brooks

(74) *Attorney, Agent, or Firm*—Arent Fox Kintner Plotkin  
& Kahn, PLLC

(57) **CLAIM**

The ornamental design for a motor scooter, as shown and described.

**DESCRIPTION**

FIG. 1 is a front view of the motor scooter showing our new design.

FIG. 2 is a rear view thereof.

FIG. 3 is a right side view thereof.

FIG. 4 is a left side view thereof.

FIG. 5 is a plan view thereof.

FIG. 6 is a bottom view thereof.

FIG. 7 is a front perspective view thereof; and,

FIG. 8 is a rear perspective view thereof.

**1 Claim, 4 Drawing Sheets**

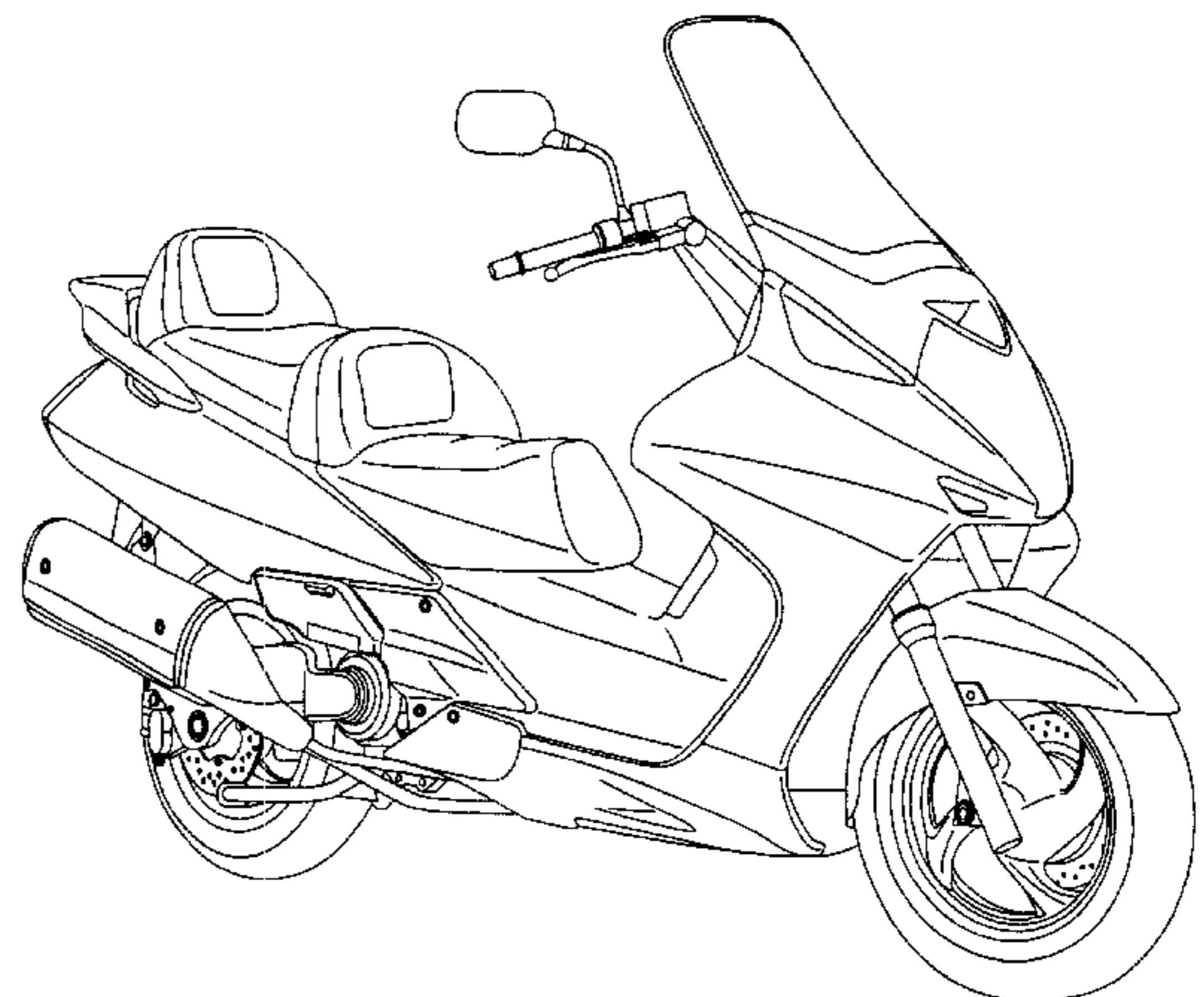
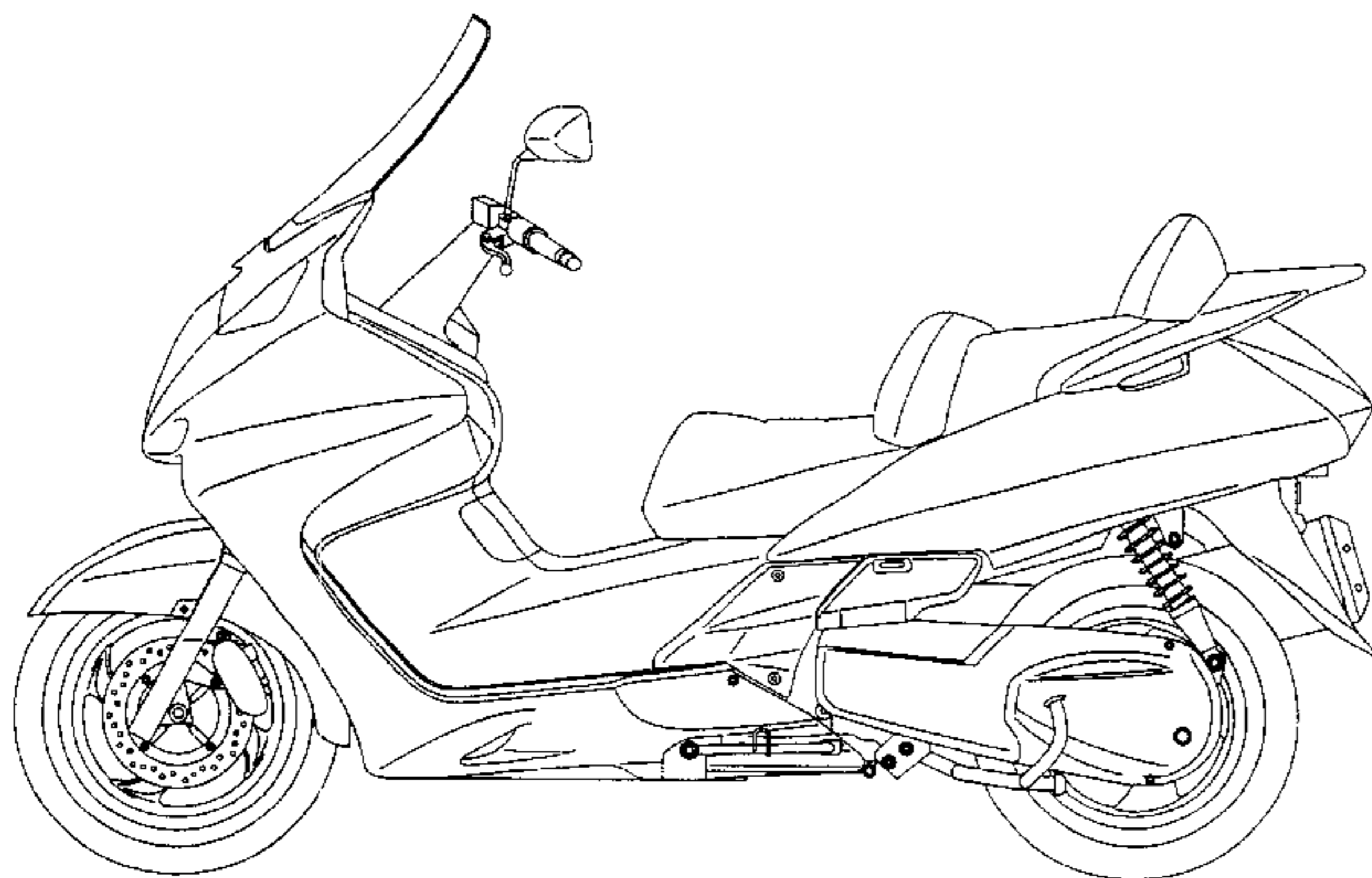


FIG. 1

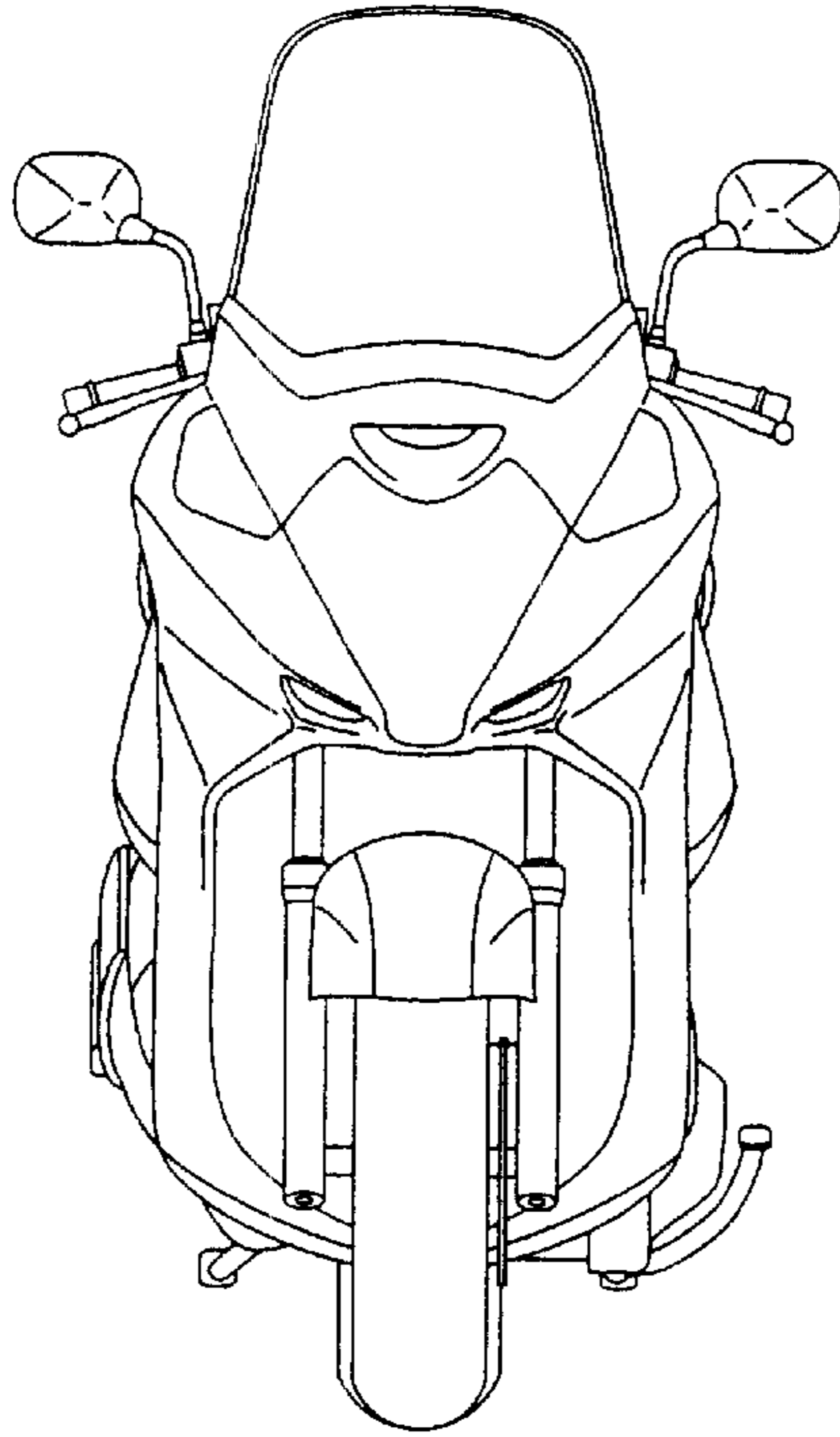


FIG. 2

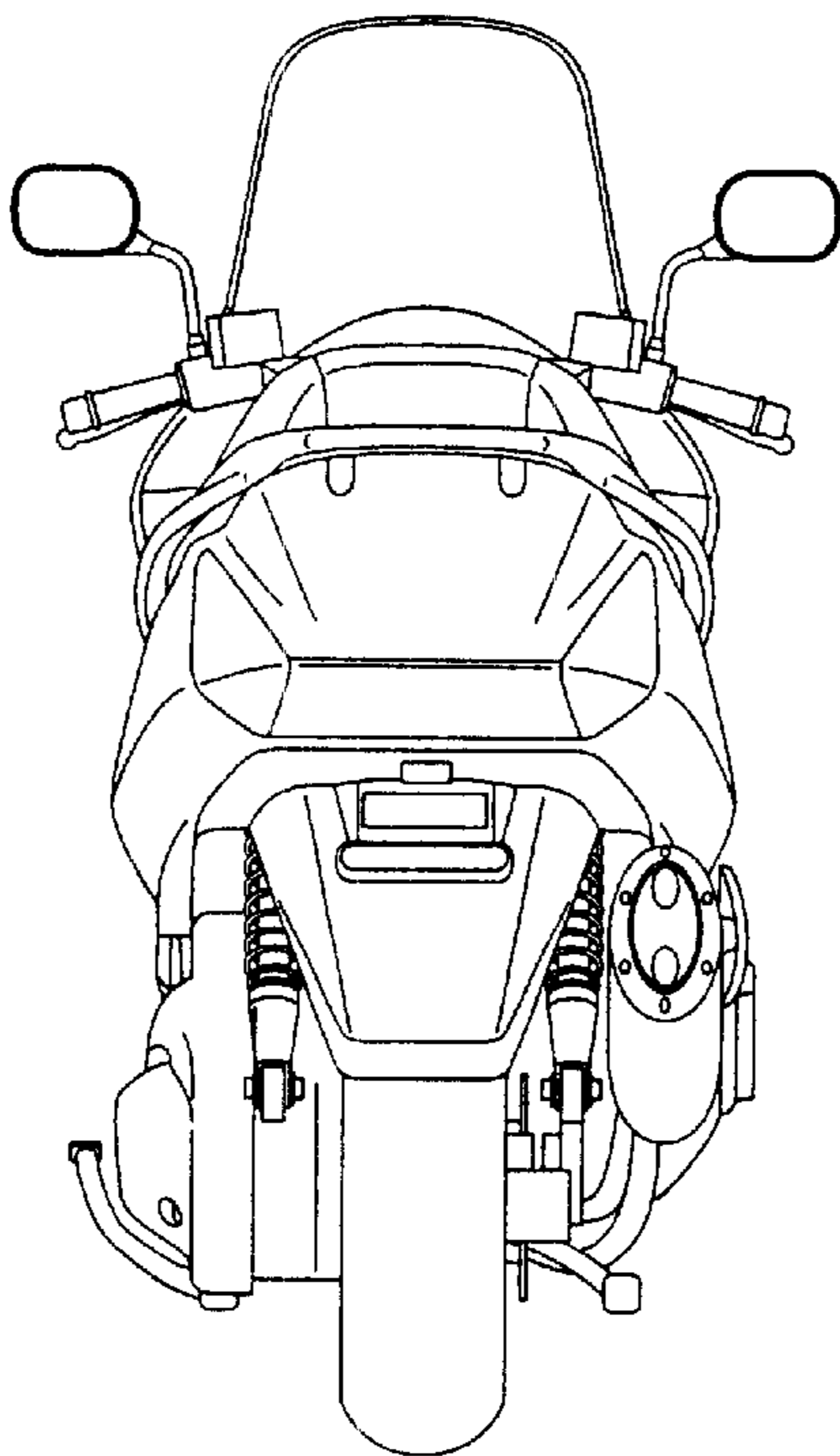


FIG.3

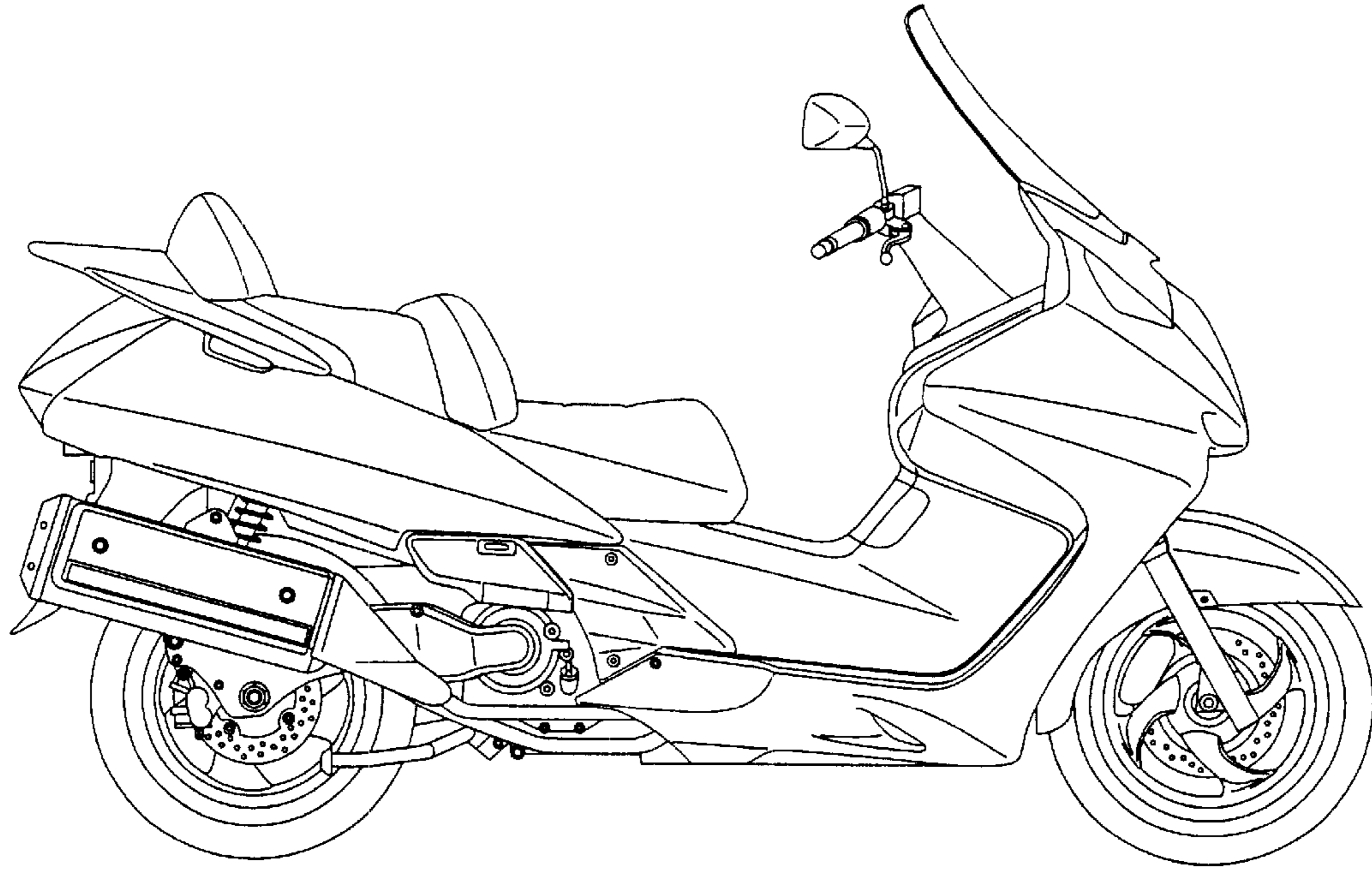


FIG.4

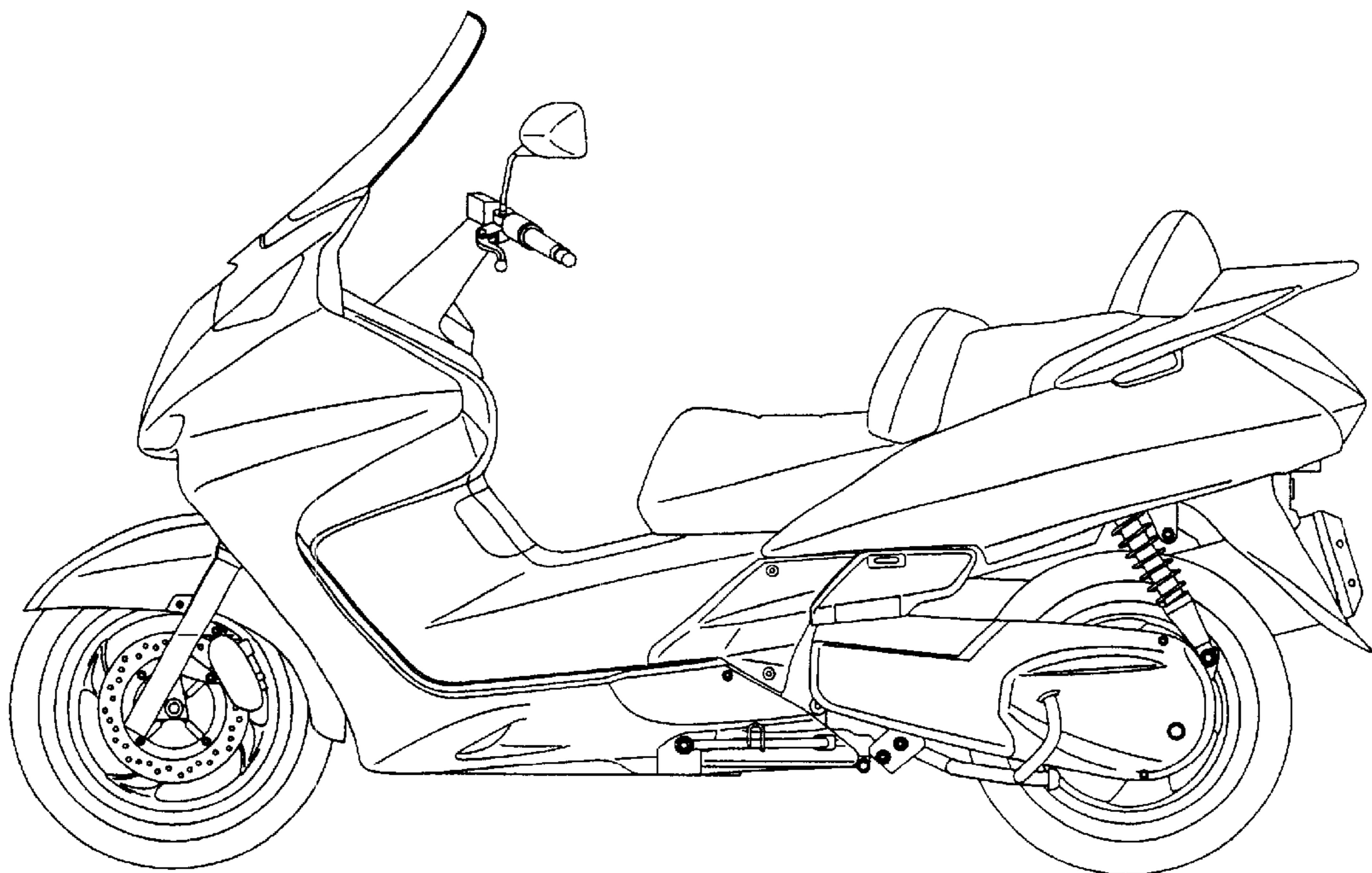


FIG.5

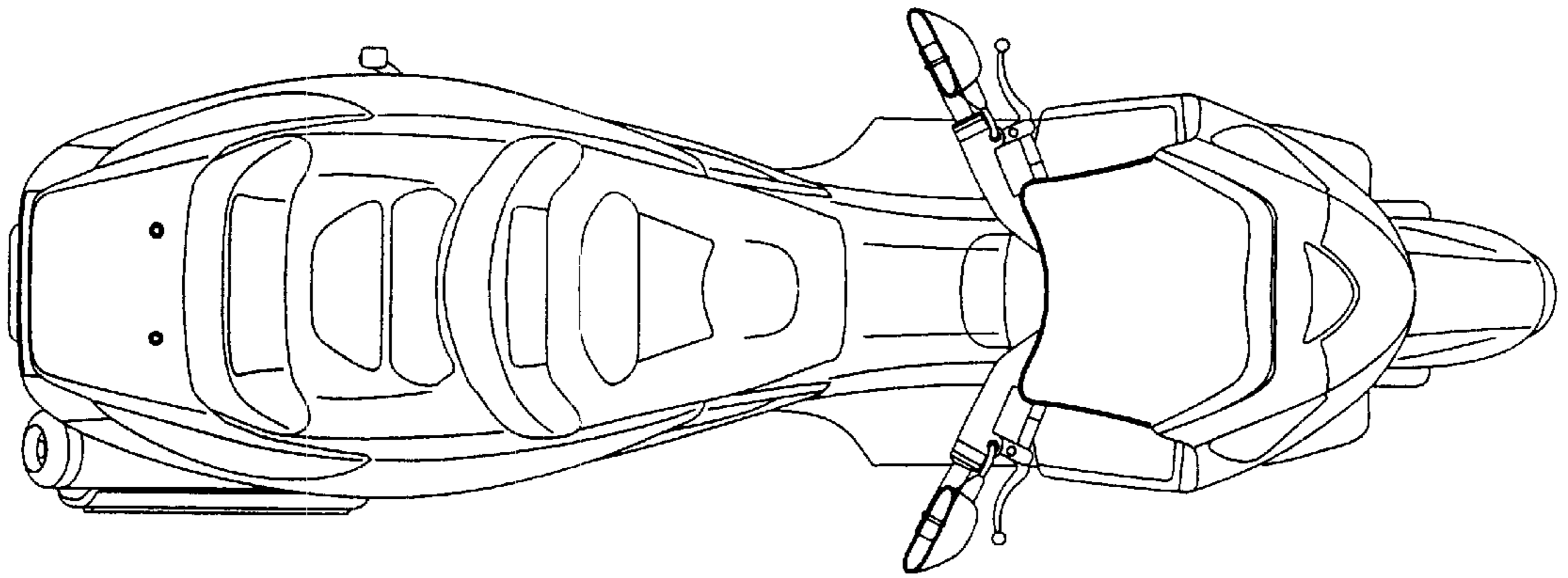


FIG.6

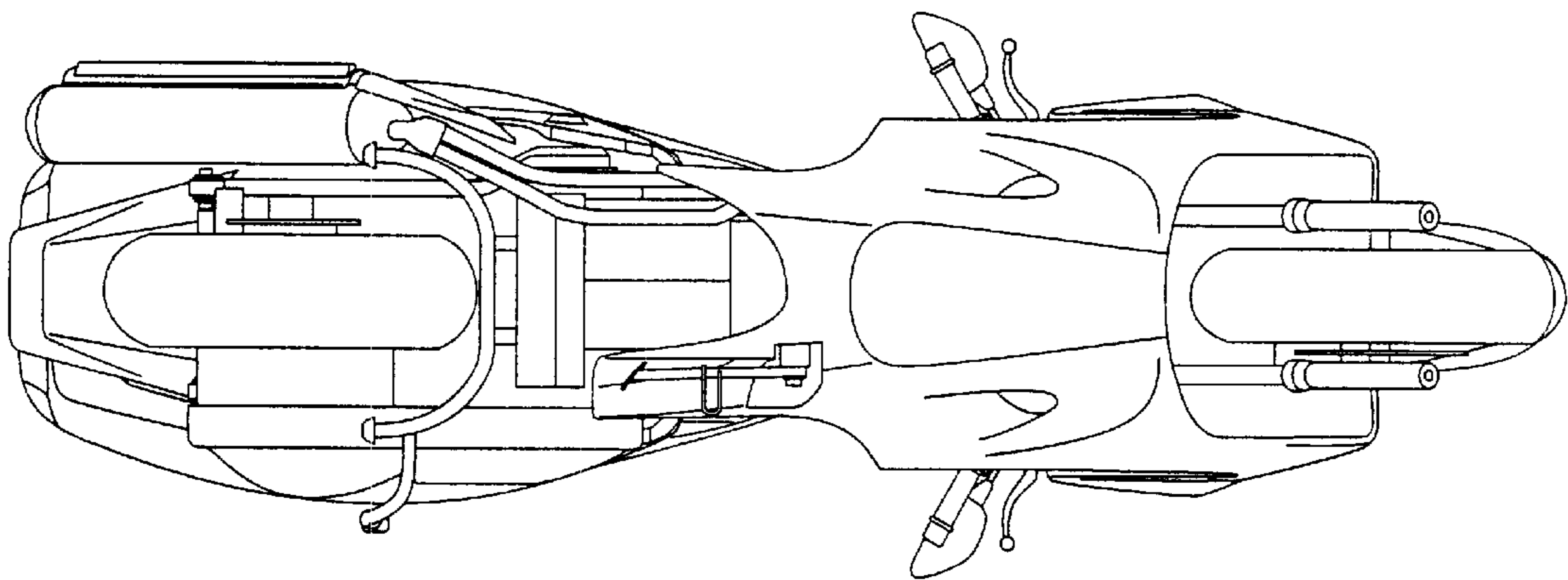


FIG.7

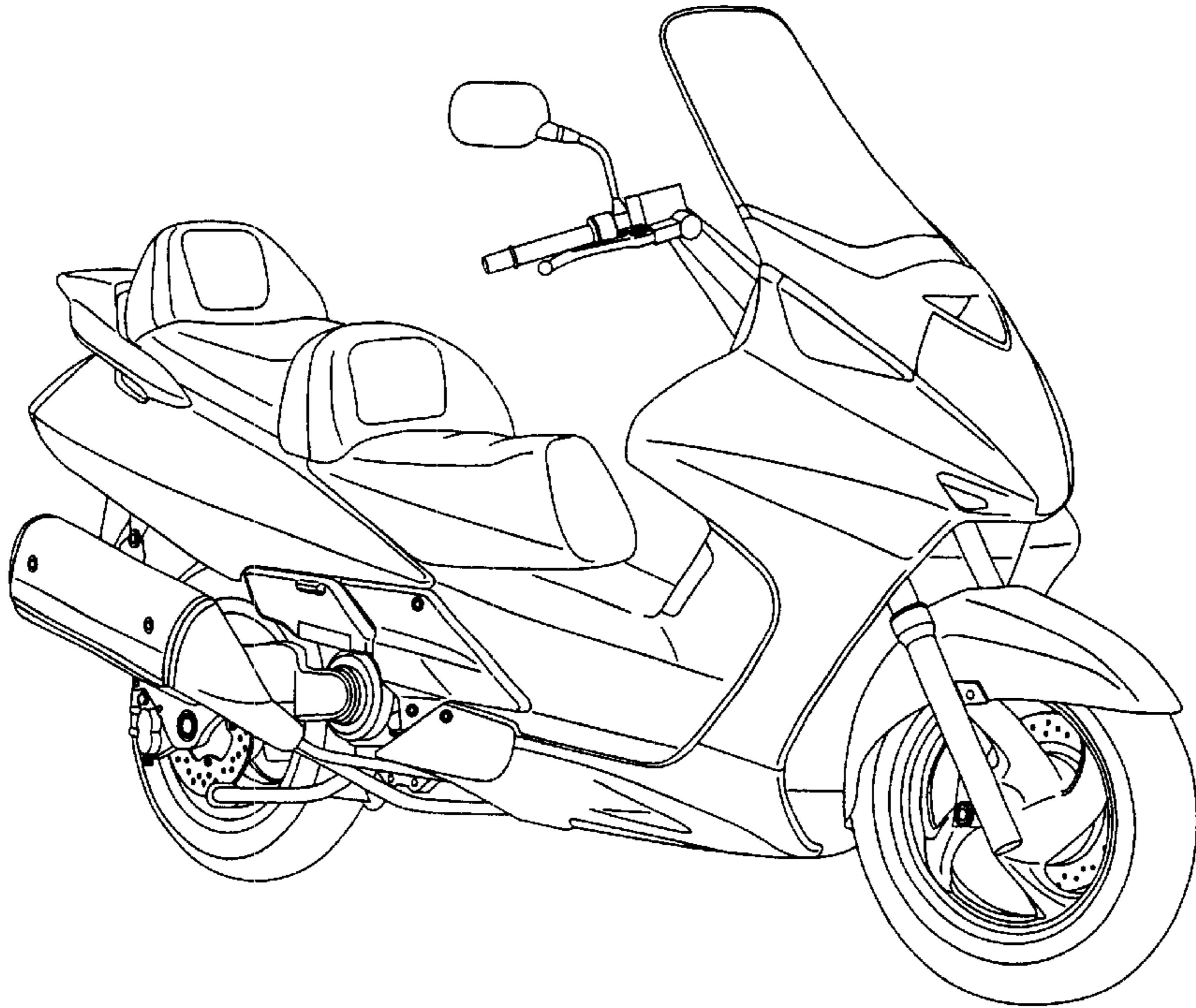


FIG.8

