



US00D455675S

(12) **United States Design Patent**
Rose

(10) **Patent No.:** **US D455,675 S**

(45) **Date of Patent:** **** Apr. 16, 2002**

(54) **PLANTER STAND**

(76) **Inventor:** **Fred Rose**, 2105 Contra Costa Ave.,
Santa Rosa, CA (US) 95405

(**) **Term:** **14 Years**

(21) **Appl. No.:** **29/136,678**

(22) **Filed:** **Feb. 5, 2001**

(51) **LOC (7) Cl.** **11-02**

(52) **U.S. Cl.** **D11/164; D11/152**

(58) **Field of Search** D11/143, 144,
D11/146, 152, 164; D7/624; D6/531, 556,
574; 47/44, 65.6, 66.6, 71; 248/346.01,
346.11

(56) **References Cited**

U.S. PATENT DOCUMENTS

842,703	A	*	1/1907	Roberts	47/65.6	X
D229,080	S	*	11/1973	Mihm	47/66.6	X
D235,908	S	*	7/1975	Rosenwach	D11/144	
4,540,417	A	*	9/1985	Poler	D11/164	X
5,209,013	A	*	5/1993	Sellers	47/71	
D346,568	S	*	5/1994	Bates	D11/164	
5,309,670	A	*	5/1994	Bates	47/71	

D353,122	S	*	12/1994	Gilley et al.	D11/164	
5,743,506	A	*	4/1998	Adams	248/346.11	
D401,202	S	*	11/1998	Washington, Sr.	D11/164	X
6,264,155	B1	*	7/2001	Ardrey	248/346.01	

* cited by examiner

Primary Examiner—Doris V. Coles

Assistant Examiner—Mimosa De

(74) *Attorney, Agent, or Firm*—Johnson & Stainbrook,
LLP; Larry D. Johnson; Craig M. Stainbrook

(57) **CLAIM**

The ornamental design for a planter stand, as shown and described.

DESCRIPTION

FIG. 1 is an upper front perspective view of the planter stand showing my new design;

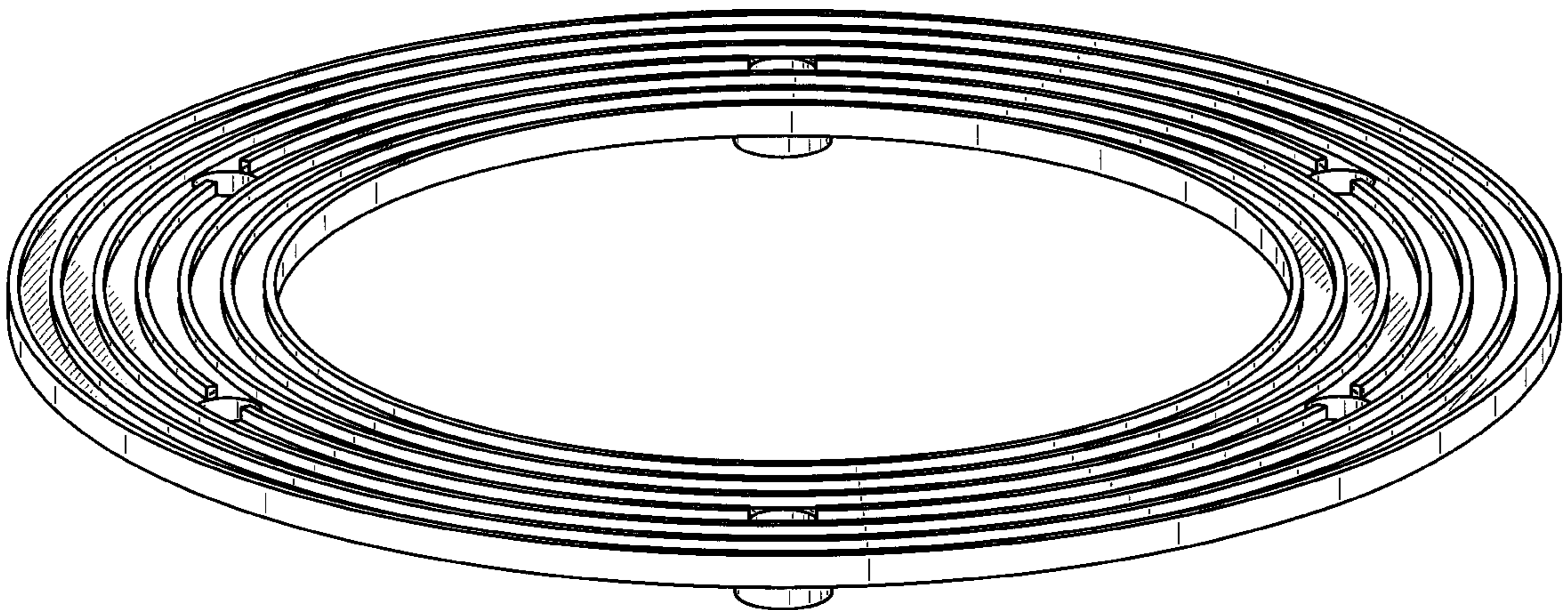
FIG. 2 is a front elevational view, the rear side being identical thereof;

FIG. 3 is a right side elevational view, the left side being identical thereof;

FIG. 4 is a top plan view thereof; and,

FIG. 5 is a bottom plant view.

1 Claim, 3 Drawing Sheets



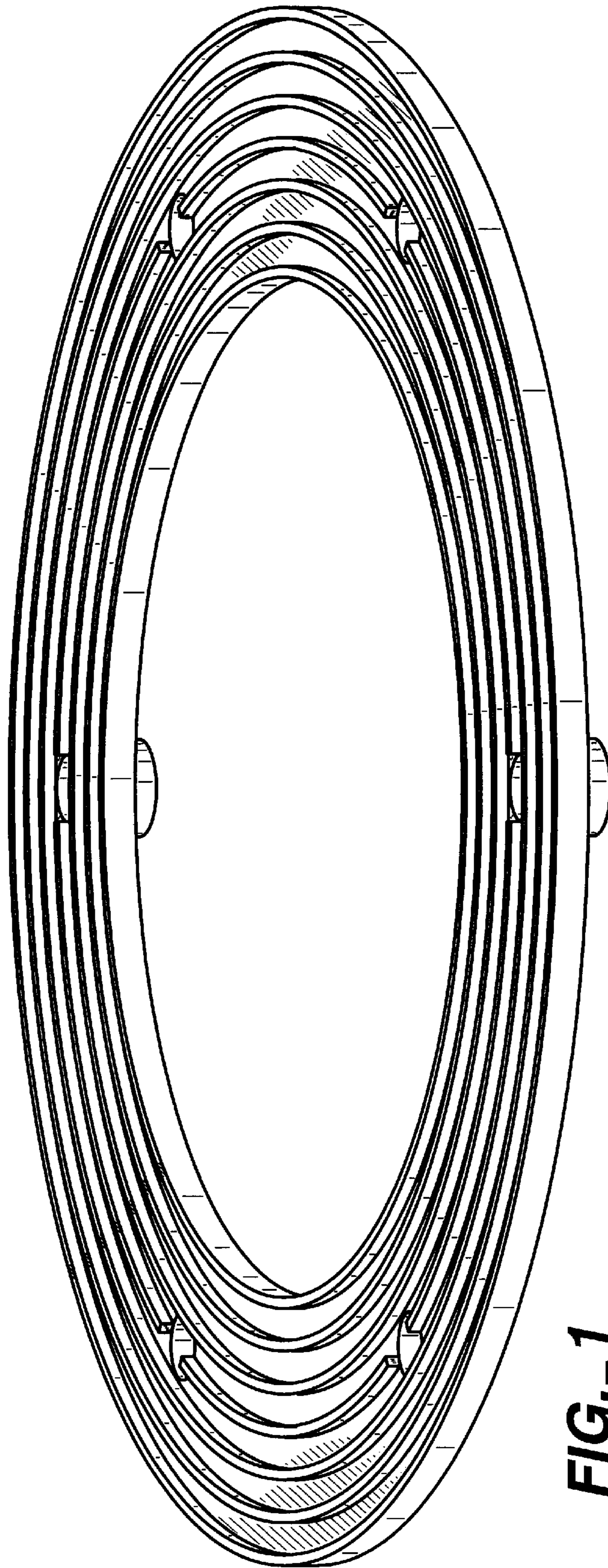


FIG. 1

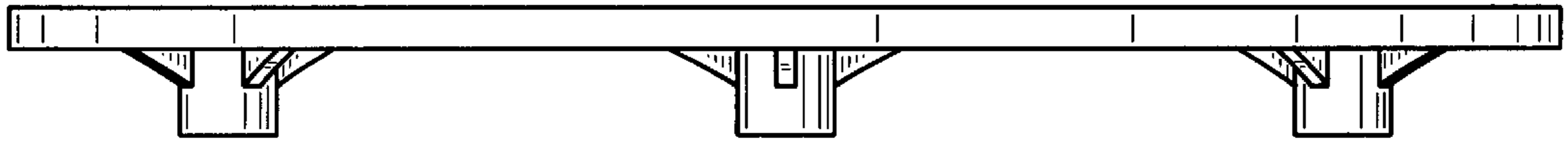


FIG. 2

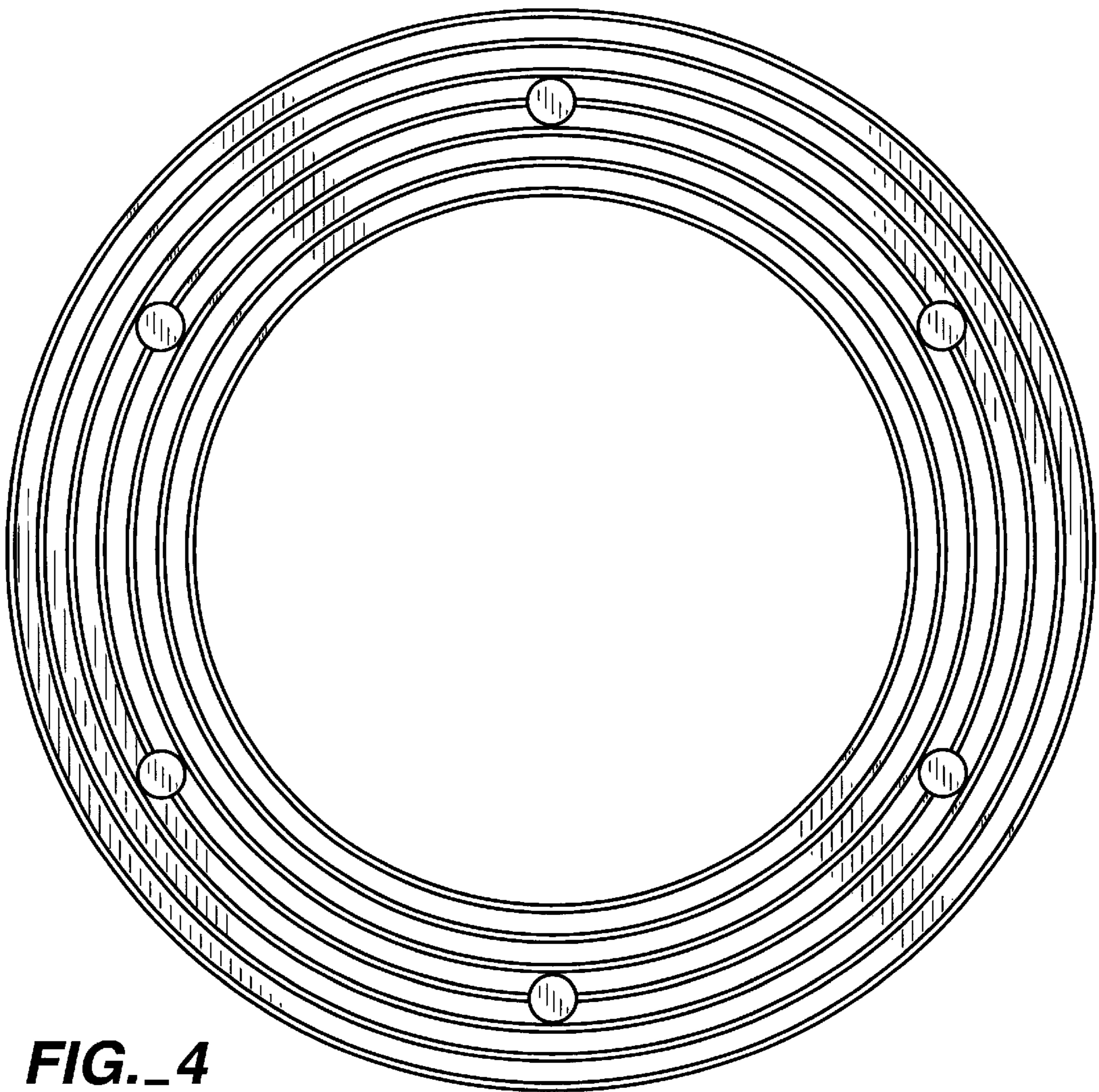


FIG. 4

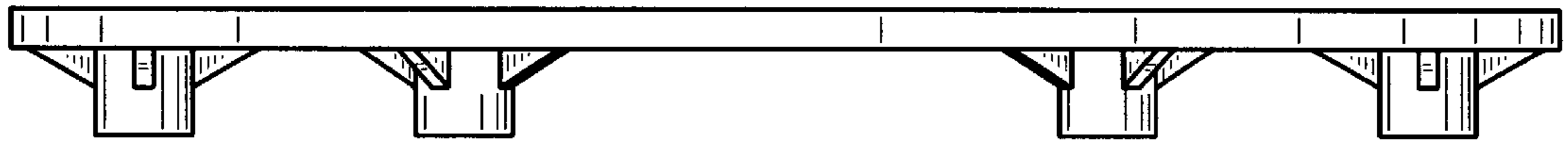


FIG. 3

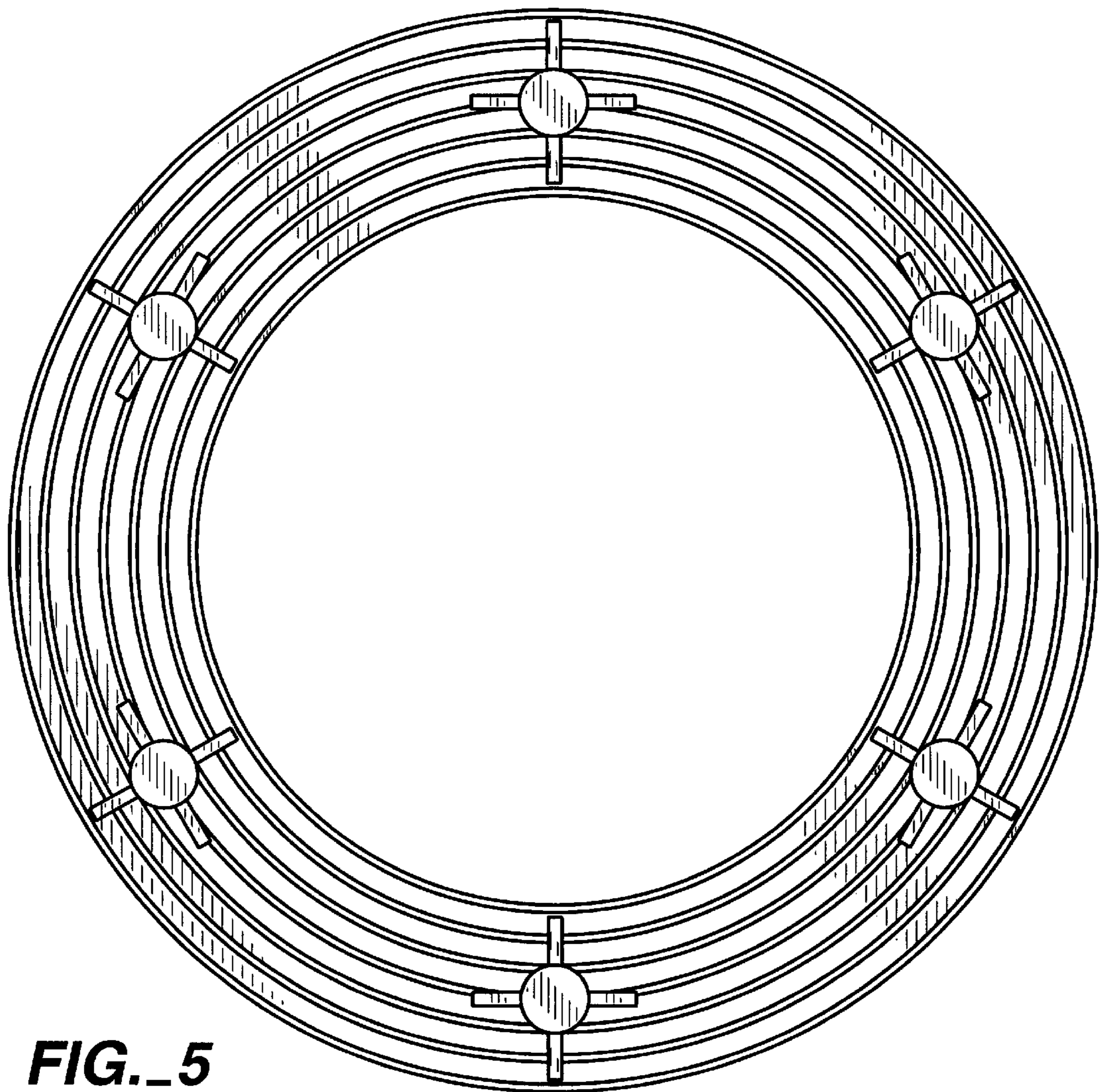


FIG. 5