



US00D455672S

(12) **United States Design Patent**
Knezevich

(10) **Patent No.:** **US D455,672 S**

(45) **Date of Patent:** **** Apr. 16, 2002**

(54) **ARTICLE OF JEWELRY**

(57) **CLAIM**

(76) **Inventor:** **Michael Knezevich**, 7 SW. 68th Ave.,
Portland, OR (US) 97225

The ornamental design for an article of jewelry, as shown and described.

(**) **Term:** **14 Years**

DESCRIPTION

(21) **Appl. No.:** **29/136,996**

FIG. 1 is a front-right side perspective view of a first embodiment.

(22) **Filed:** **Feb. 8, 2001**

FIG. 2 is a top view of the embodiment shown in FIG. 1.

(51) **LOC (7) Cl.** **11-01**

FIG. 3 is a front view of the embodiment shown in FIG. 1.

(52) **U.S. Cl.** **D11/96**

FIG. 4 is a right side view of the embodiment shown in FIG. 1 with the left side view being the same.

(58) **Field of Search** D11/1-2, 7, 8,
D11/40-46, 53, 56, 70, 79-83, 95-96, 99-103;
63/1.11, 13, 14.1, 18, 20, 23

FIG. 5 is a bottom view of the embodiment shown in FIG. 1.

(56) **References Cited**

U.S. PATENT DOCUMENTS

D115,265 S	*	6/1939	Itton	D11/96
D246,607 S	*	12/1977	Radisich	D99/25
D258,544 S	*	3/1981	Benedetto	D99/27
D299,579 S	*	1/1989	Jones	D99/27
D355,144 S	*	2/1995	Cord	D11/81
D373,970 S	*	9/1996	Gonzalez et al.	D11/75

FIG. 6 is a rear view of the embodiment shown in FIG. 1.

FIG. 7 is a front-right side perspective view of a second embodiment.

FIG. 8 is a rear view of the embodiment shown in FIG. 7 with the front view, top view, bottom view, right side view and left side view being the same as the embodiment shown in FIG. 1.

* cited by examiner

Primary Examiner—Ralf Seifert

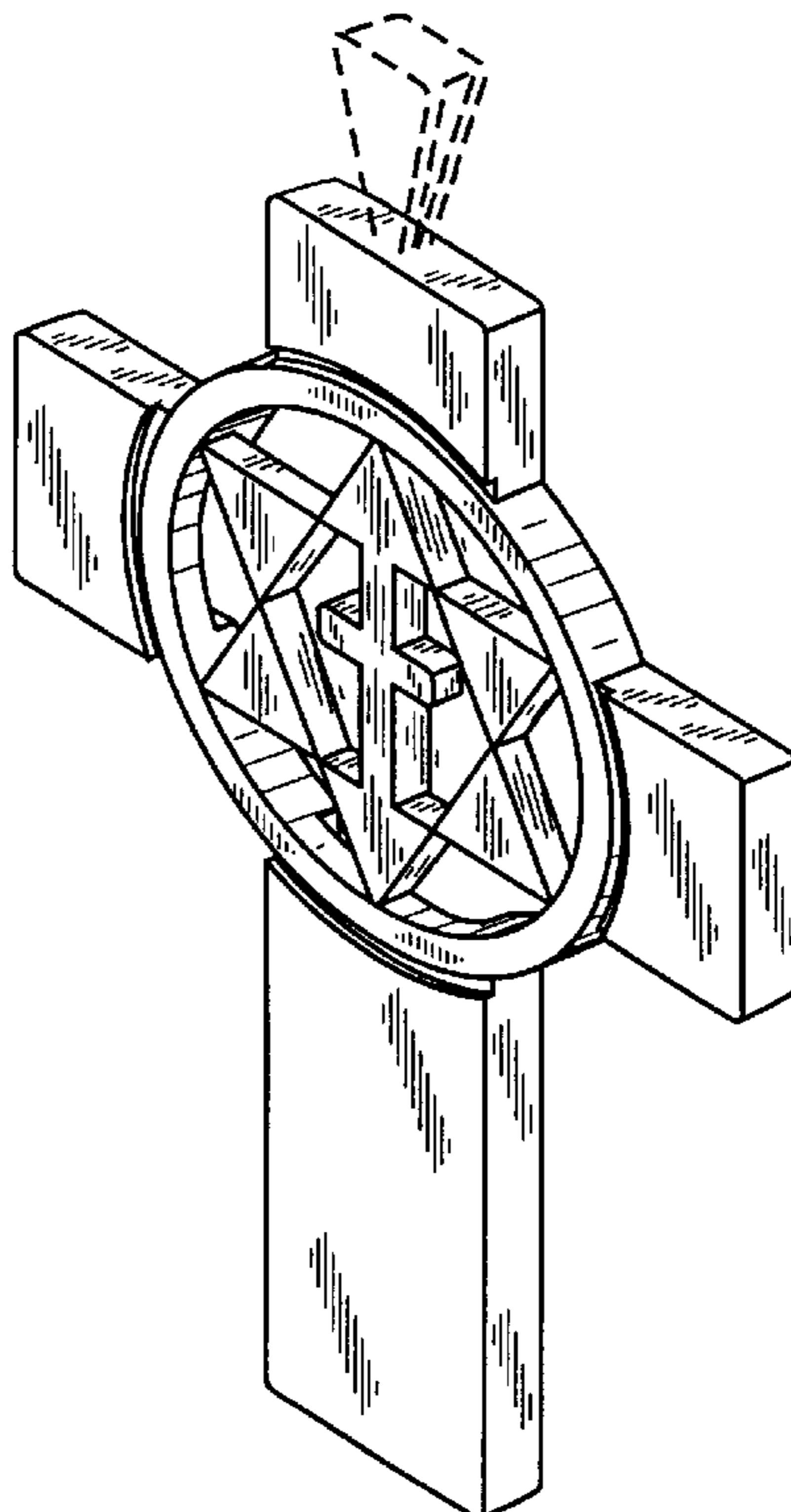
FIG. 9 is a front-right side perspective view of a third embodiment;

FIG. 10 is a rear view of the embodiment shown in FIG. 9 with the top view, bottom view, right side view and left side view being the same as the embodiment shown in FIG. 1; and,

(74) *Attorney, Agent, or Firm*—Chernoff, Vilhauer, McClung & Stenzel, LLP

FIG. 11 is a front view of the embodiment shown in FIG. 9. It being understood that the broken lines are for illustrative purposes only.

1 Claim, 3 Drawing Sheets



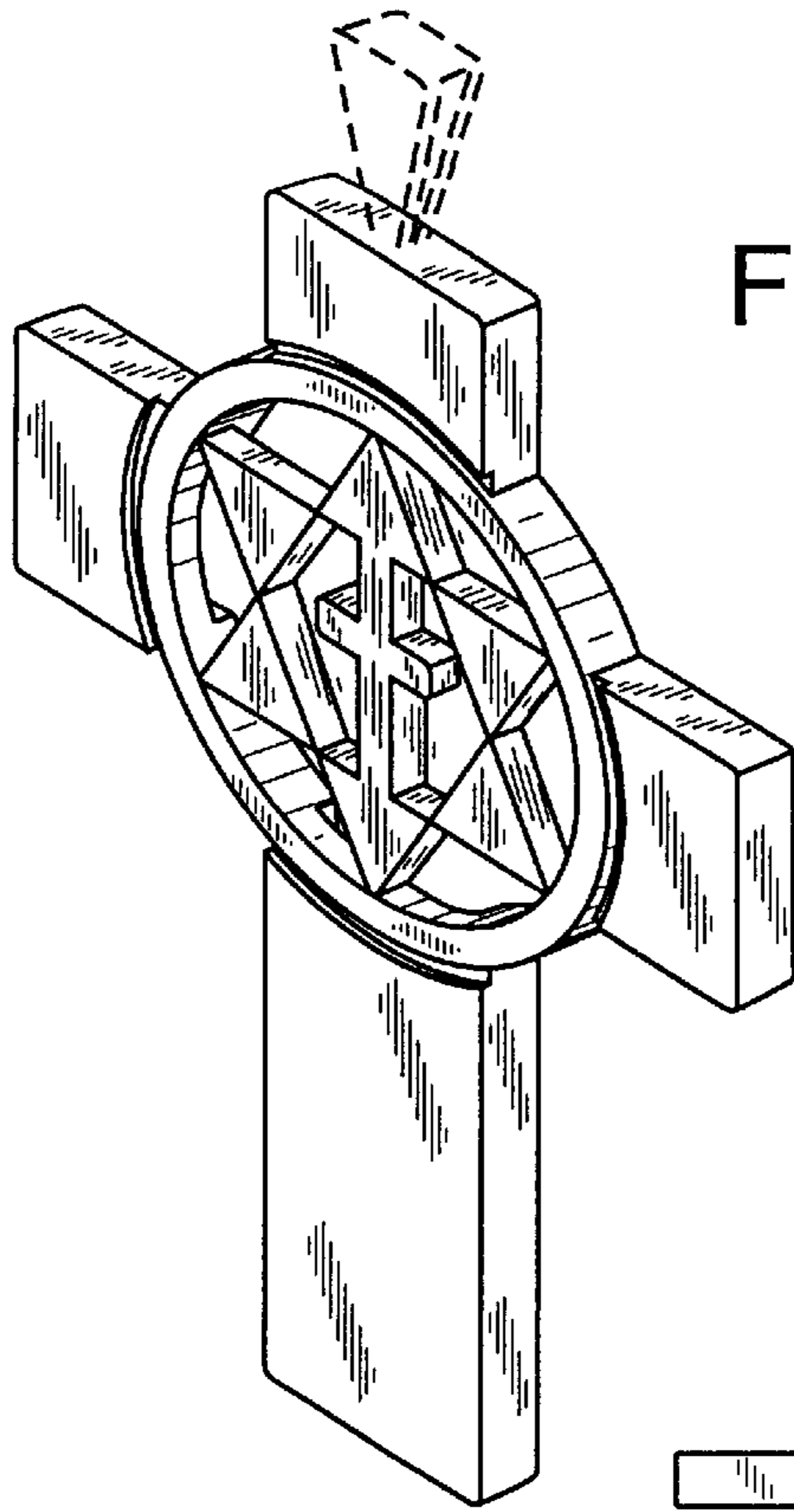


FIG. 1

FIG. 2

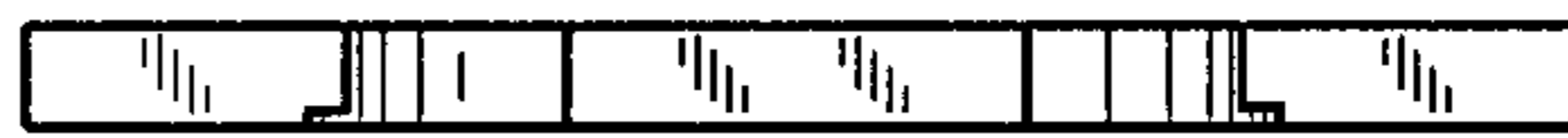


FIG. 6

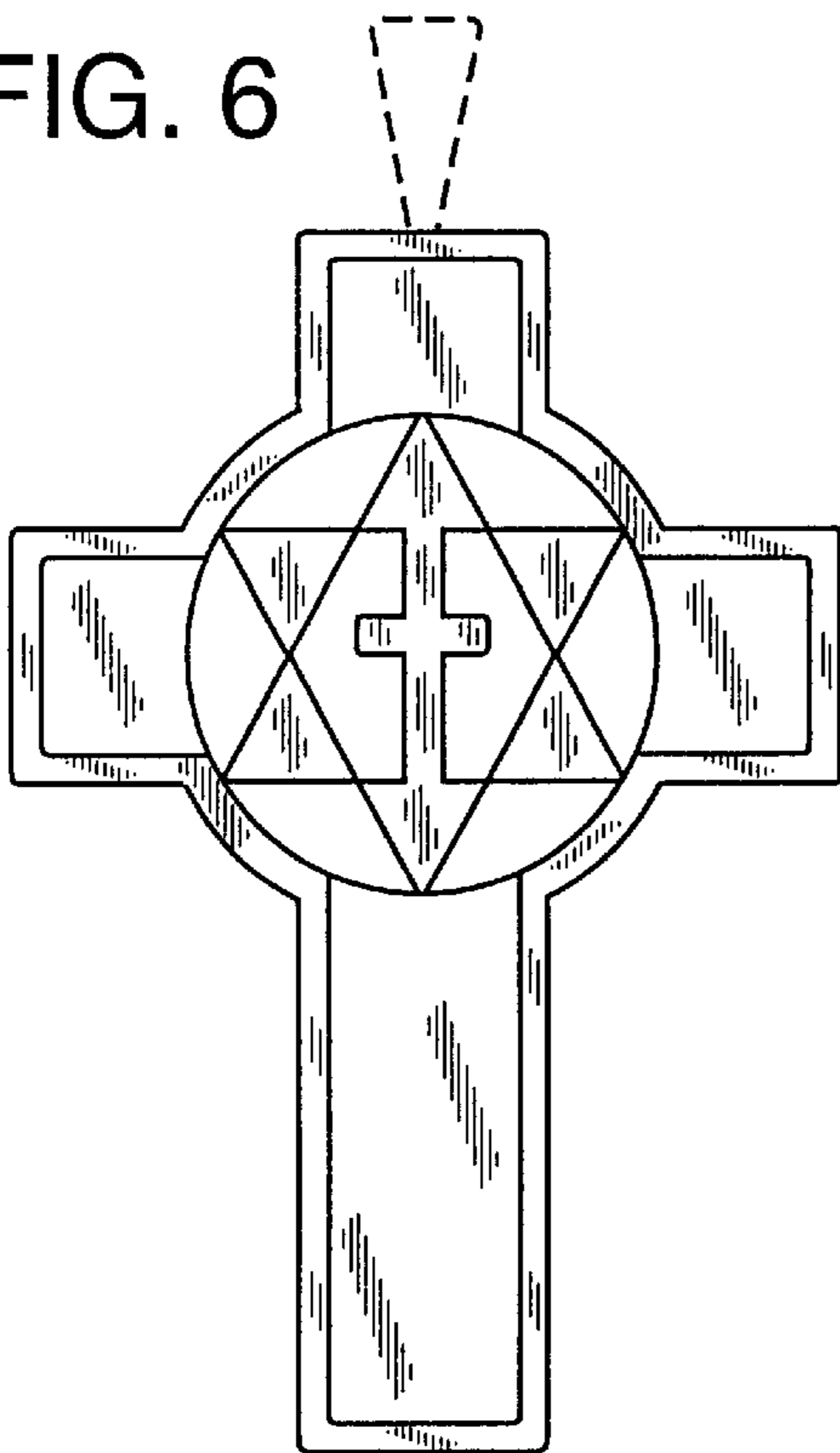


FIG. 3

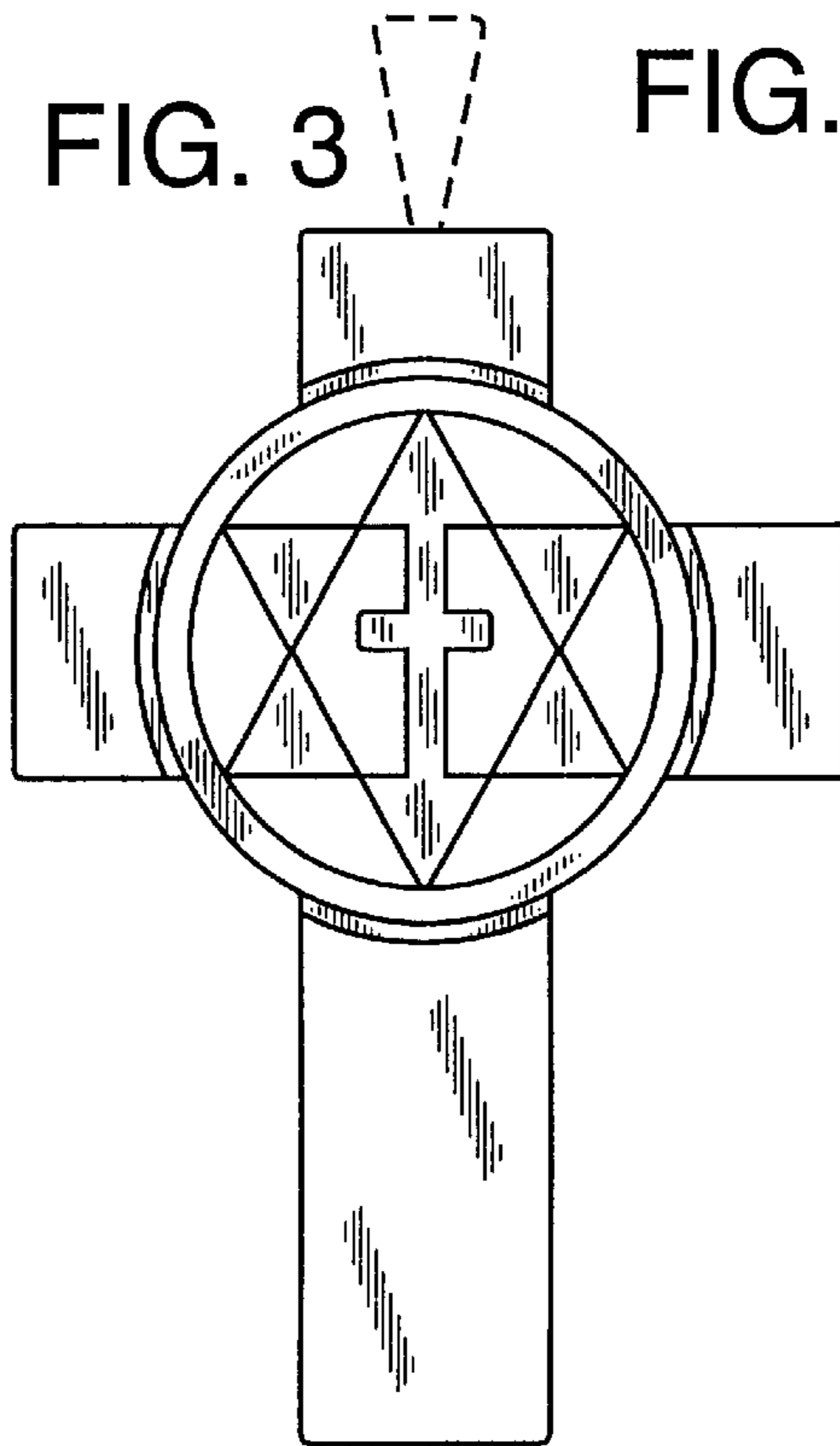


FIG. 4



FIG. 5



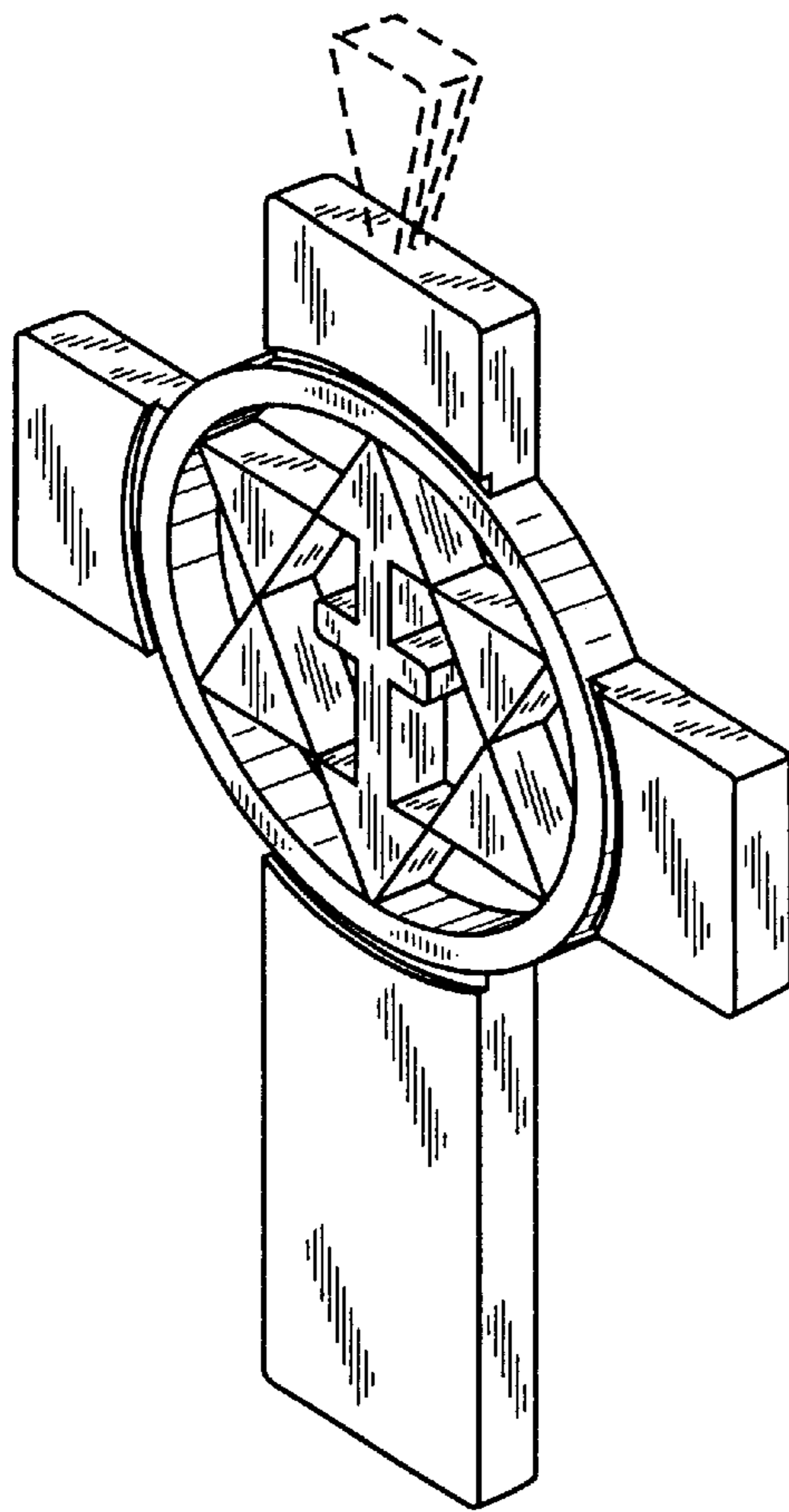


FIG. 7

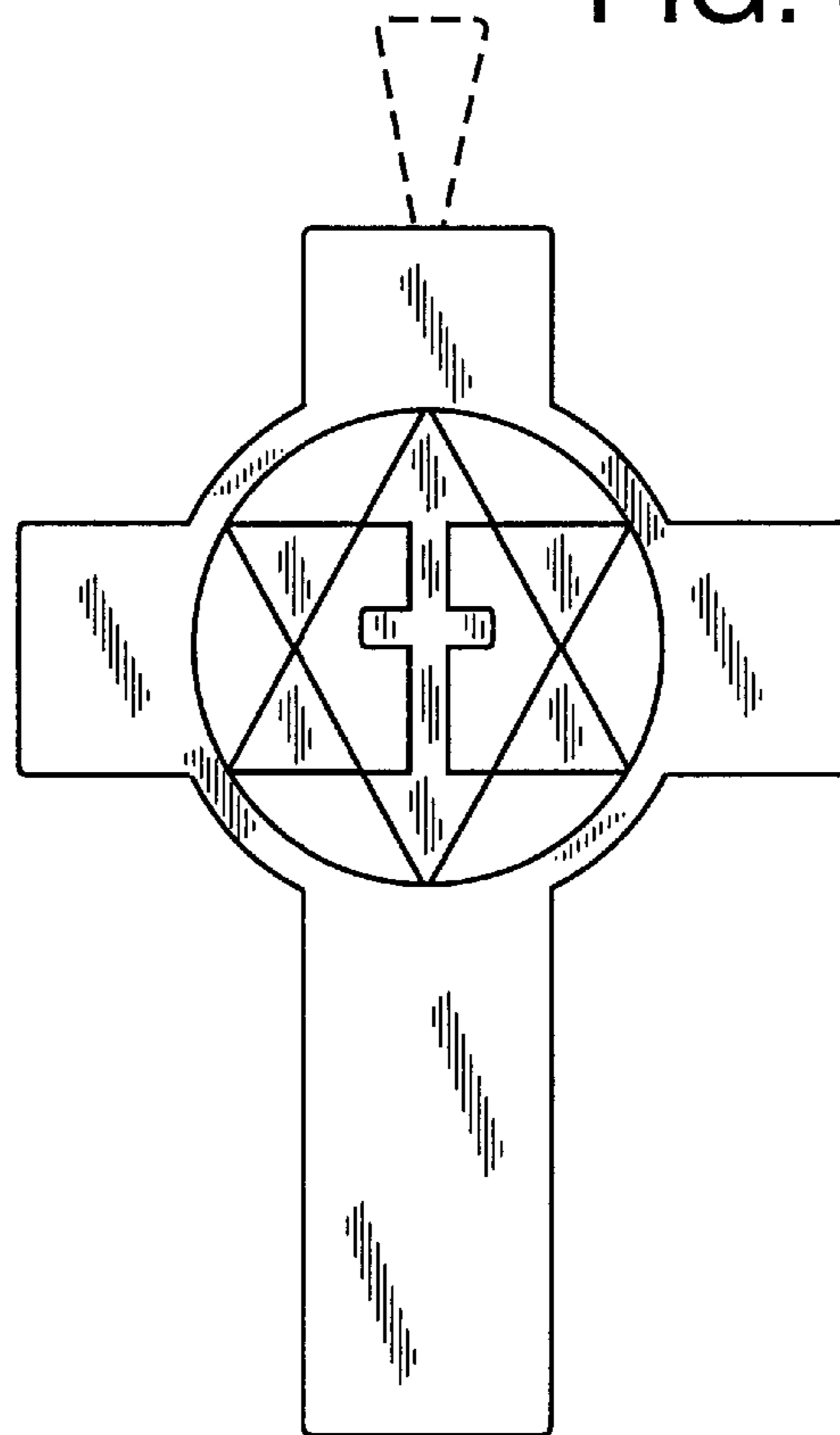


FIG. 8

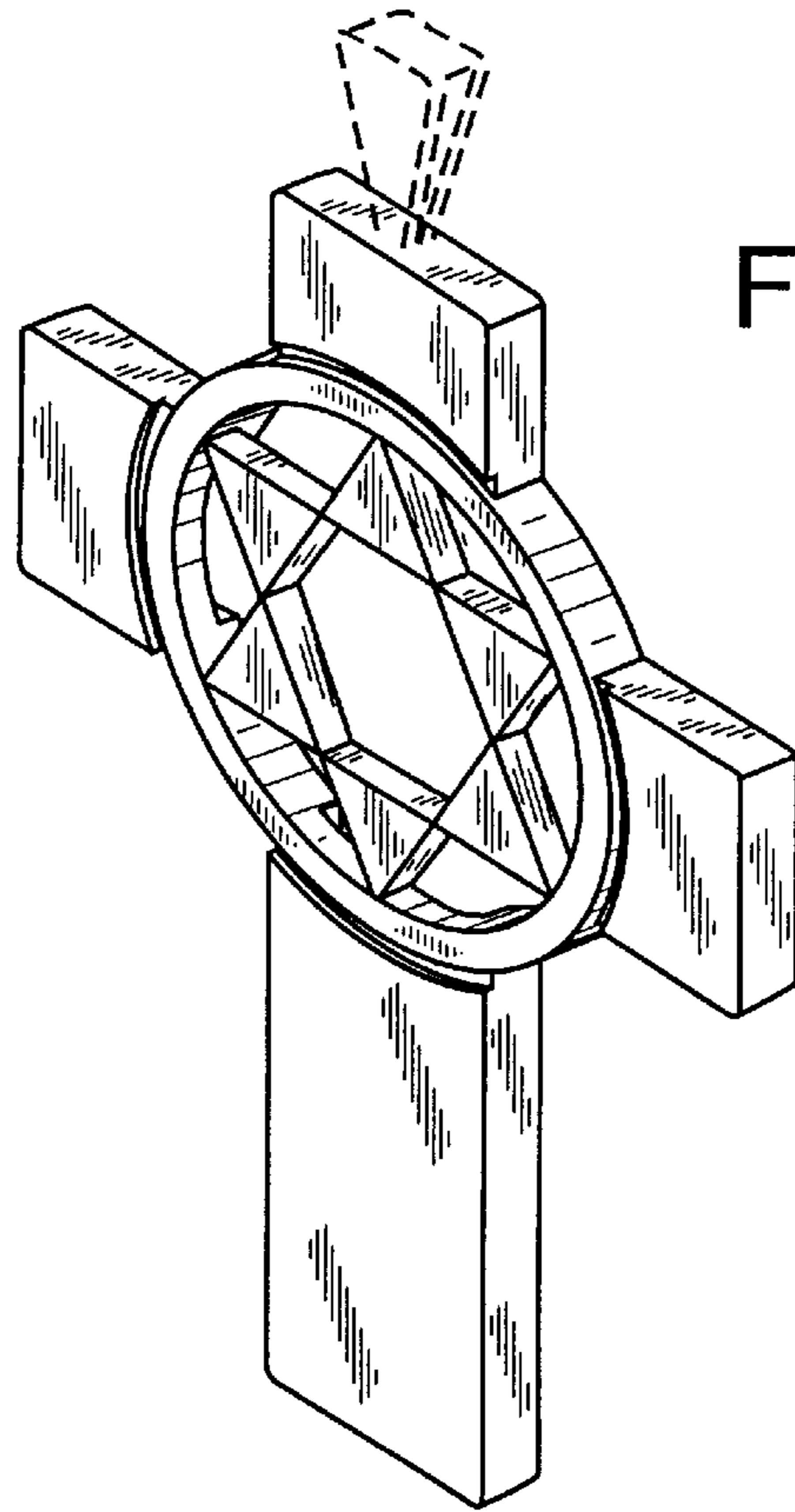


FIG. 9

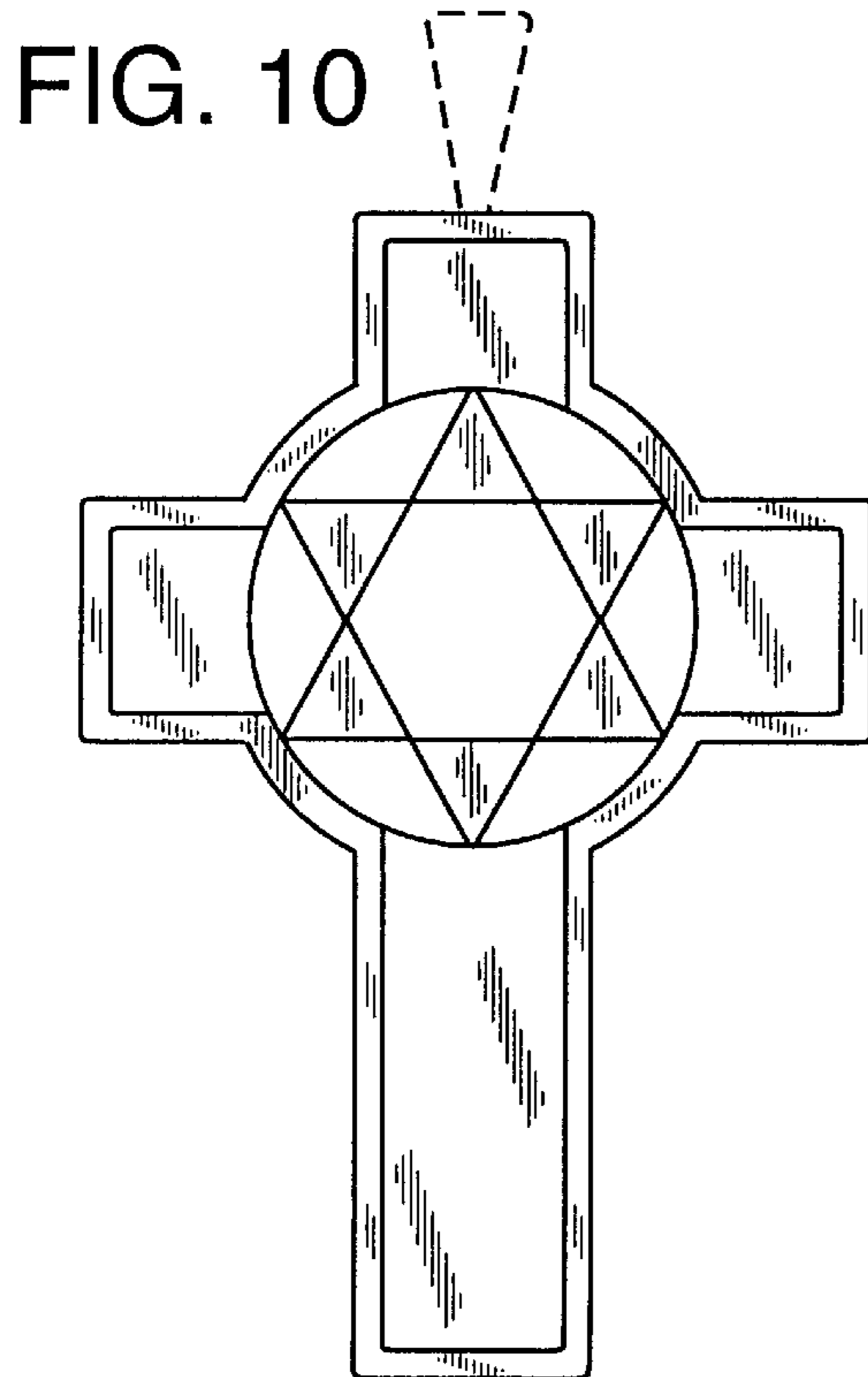


FIG. 10

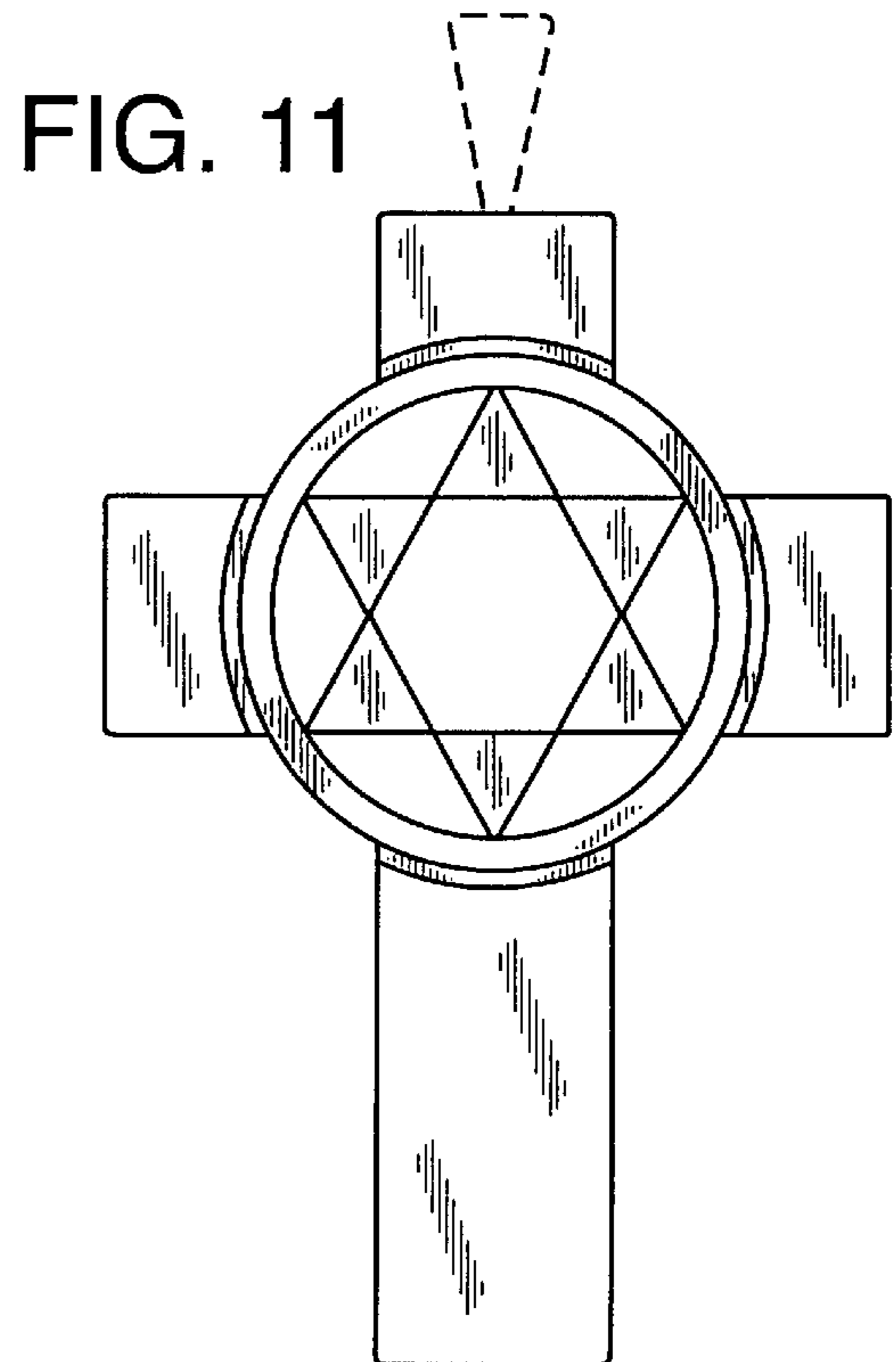


FIG. 11