



US00D455669S

(12) **United States Design Patent**
Tournaire

(10) **Patent No.:** **US D455,669 S**

(45) **Date of Patent:** **** Apr. 16, 2002**

(54) **PENDANT**

D415,446 S * 10/1999 Kattan D11/43
D429,474 S * 8/2000 Stein D11/79

(76) Inventor: **Philippe Tournaire**, 8, rue Tupinerie,
42600 Montbrison (FR)

* cited by examiner

(**) Term: **14 Years**

Primary Examiner—Ralf Seifert

(21) Appl. No.: **29/123,141**

(74) *Attorney, Agent, or Firm*—Arent Fox Kintner Plotkin
& Kahn, PLLC

(22) Filed: **May 12, 2000**

(30) **Foreign Application Priority Data**

(57) **CLAIM**

Nov. 12, 1999 (FR) 99 7153

The ornamental design for a pendant, as shown.

(51) **LOC (7) Cl.** **11-01**

(52) **U.S. Cl.** **D11/79**

DESCRIPTION

(58) **Field of Search** D11/1, 7, 43-44,
D11/40, 48, 50, 57, 65, 66, 74, 77, 79,
80, 81, 82, 95-99, 100, 104, 107, 103;
63/1.11, 2, 18-20, 13, 23

FIG. 1 is a front view of a first embodiment of the invention;
and,

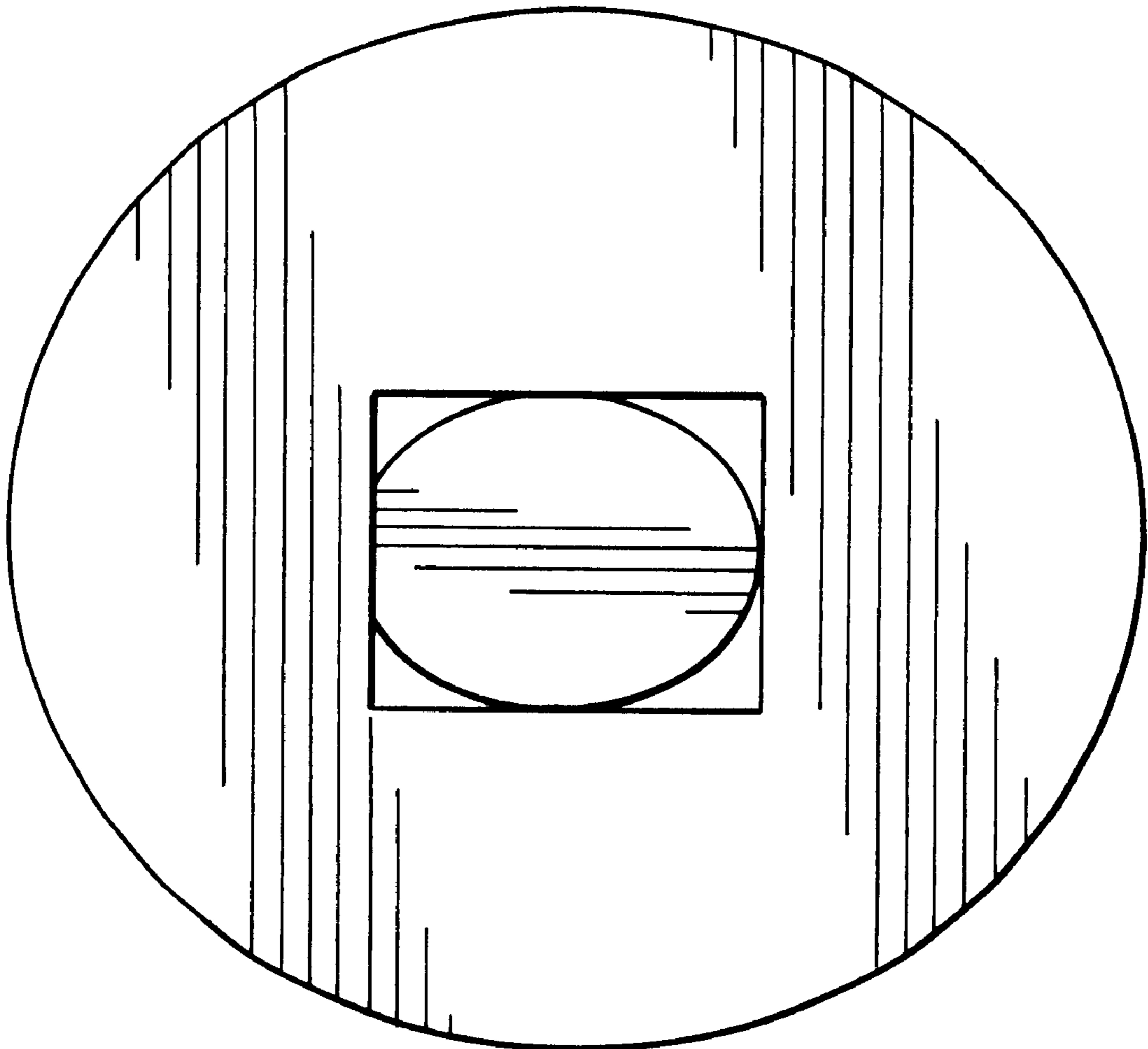
FIG. 2 is a front view of a second embodiment of the
invention.

(56) **References Cited**

U.S. PATENT DOCUMENTS

D367,241 S * 2/1996 Beadle D11/44

1 Claim, 1 Drawing Sheet



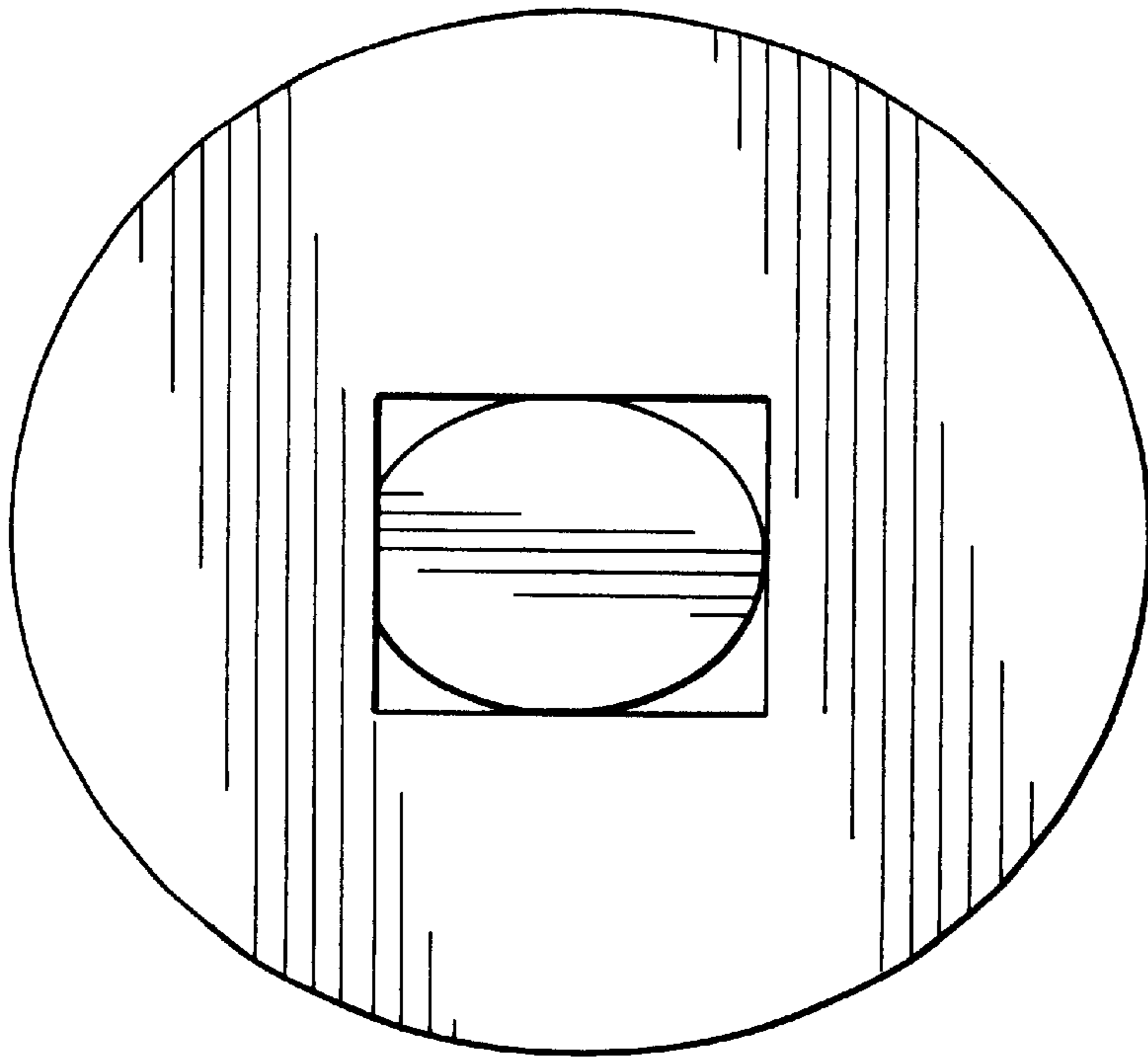


FIG. 1

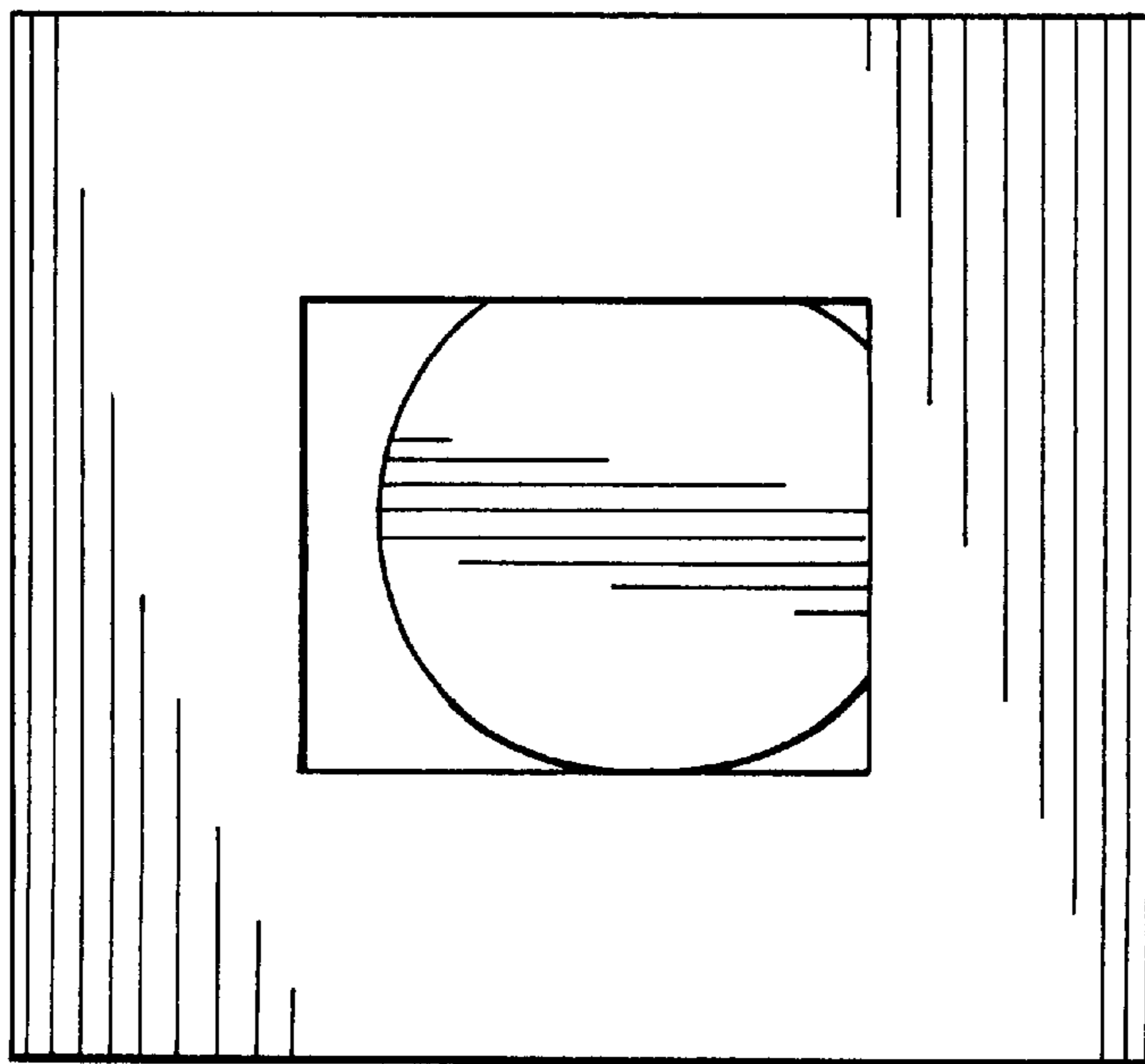


FIG. 2