



US00D455663S

(12) **United States Design Patent**
Barkai et al.

(10) **Patent No.:** **US D455,663 S**
(45) **Date of Patent:** **** Apr. 16, 2002**

(54) **HOUSING FOR A NAVIGATION DEVICE**

6,282,467 B1 * 8/2001 Shah et al. 701/13

(75) Inventors: **Joseph Barkai**, Kiriath Ganim;
Benjamin Hevroni, Yehud, both of (IL)

* cited by examiner

Primary Examiner—Antoine Duval Davis
(74) *Attorney, Agent, or Firm*—Oliff & Berridge, PLC

(73) Assignee: **Israel Aircraft Industries Ltd.**, Lod
(IL)

(57) **CLAIM**

(**) Term: **14 Years**

The ornamental design for a housing for a navigation device,
as shown and described.

(21) Appl. No.: **29/135,807**

DESCRIPTION

(22) Filed: **Jan. 22, 2001**

(30) **Foreign Application Priority Data**

Jul. 28, 2000 (IL) 33900

FIG. 1 is a top isometric view of the housing for a navigation device;

(51) **LOC (7) Cl.** **10-04**

FIG. 2 is a side view of the housing for a navigation device;
FIG. 3 is a view from another side of the housing for a navigation device;

(52) **U.S. Cl.** **D10/65**

(58) **Field of Search** D10/46, 68; 701/3,
701/4, 13, 220, 222; 340/429, 566, 689;
180/271, 281, 282

FIG. 4 is a top view of the housing for a navigation device;
FIG. 5 is a view from another side of the housing for a navigation device; and,

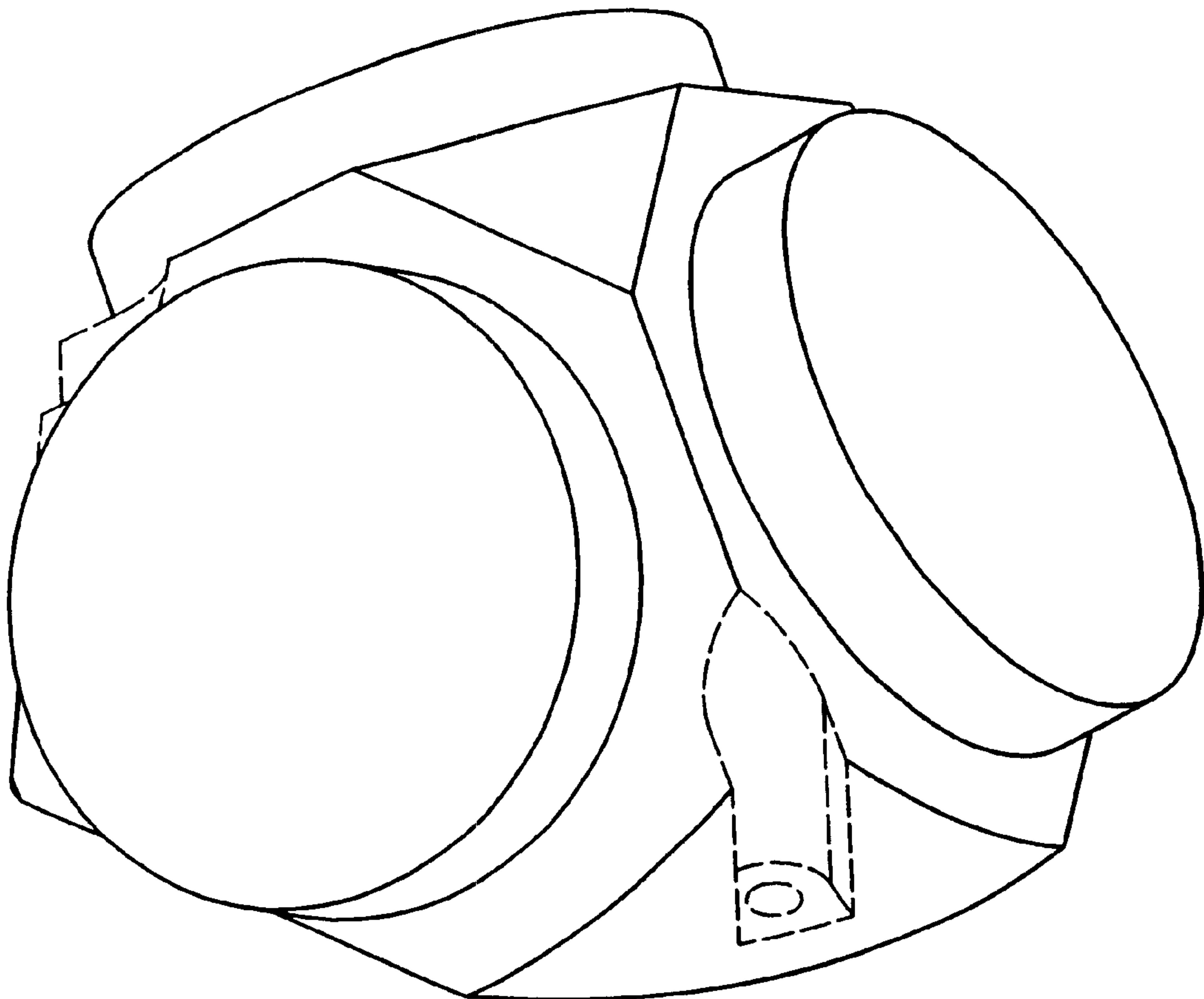
(56) **References Cited**

FIG. 6 is a bottom view of a housing for a navigation device.
The broken lines define the bounds of the claimed design,
but do not form part of the claimed design.

U.S. PATENT DOCUMENTS

5,736,923 A * 4/1998 Saab 340/429

1 Claim, 3 Drawing Sheets



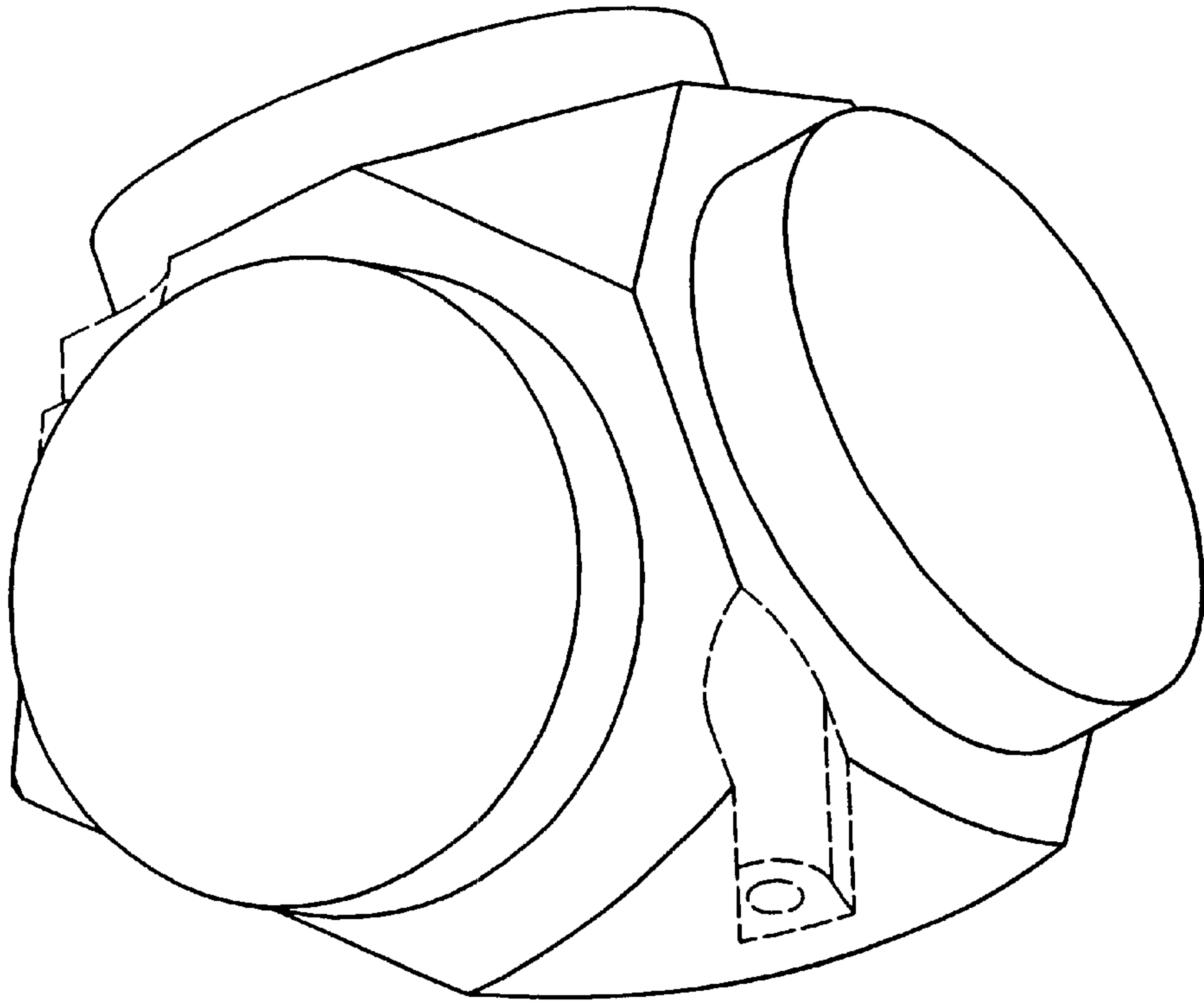


FIG.1

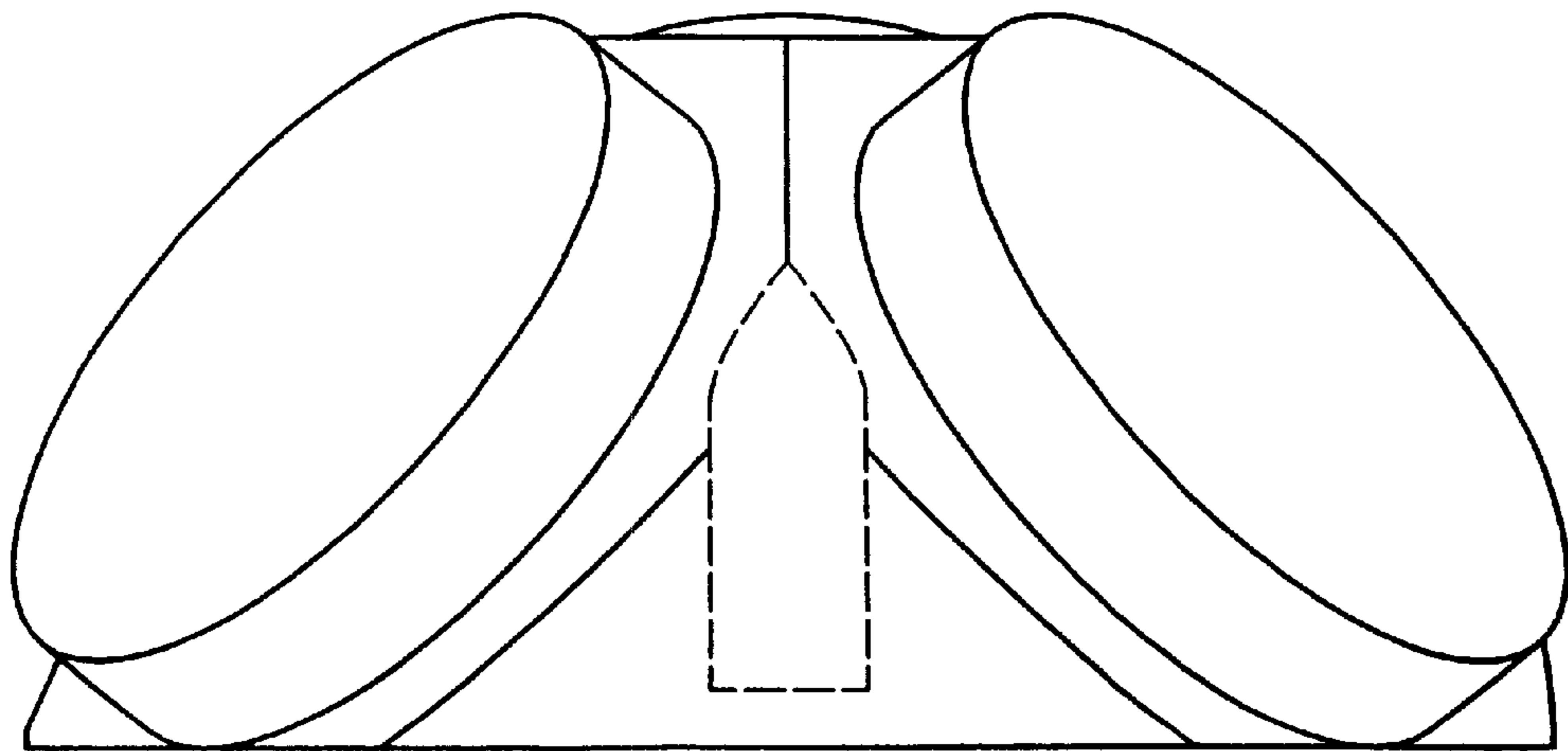


FIG.2

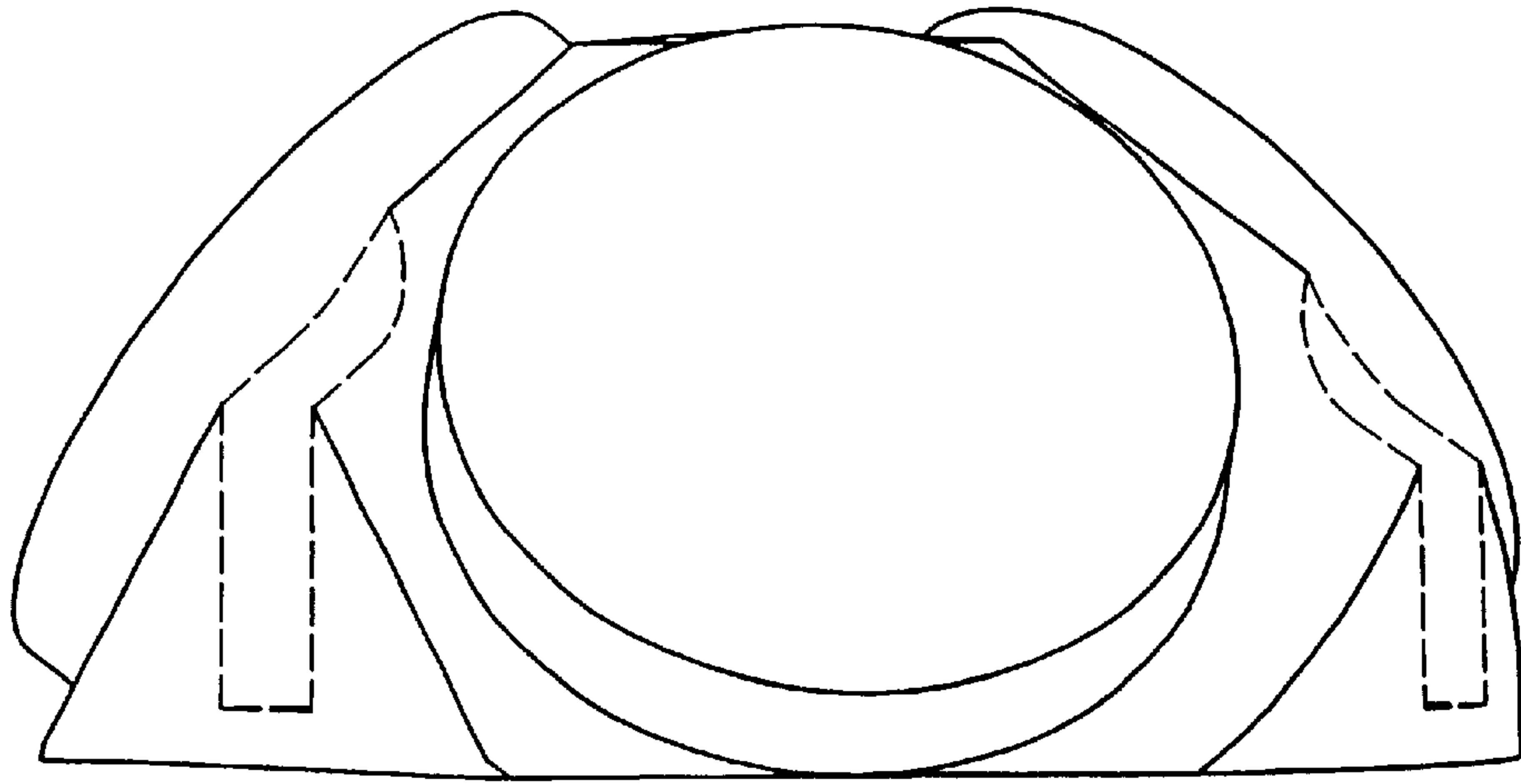


FIG. 3

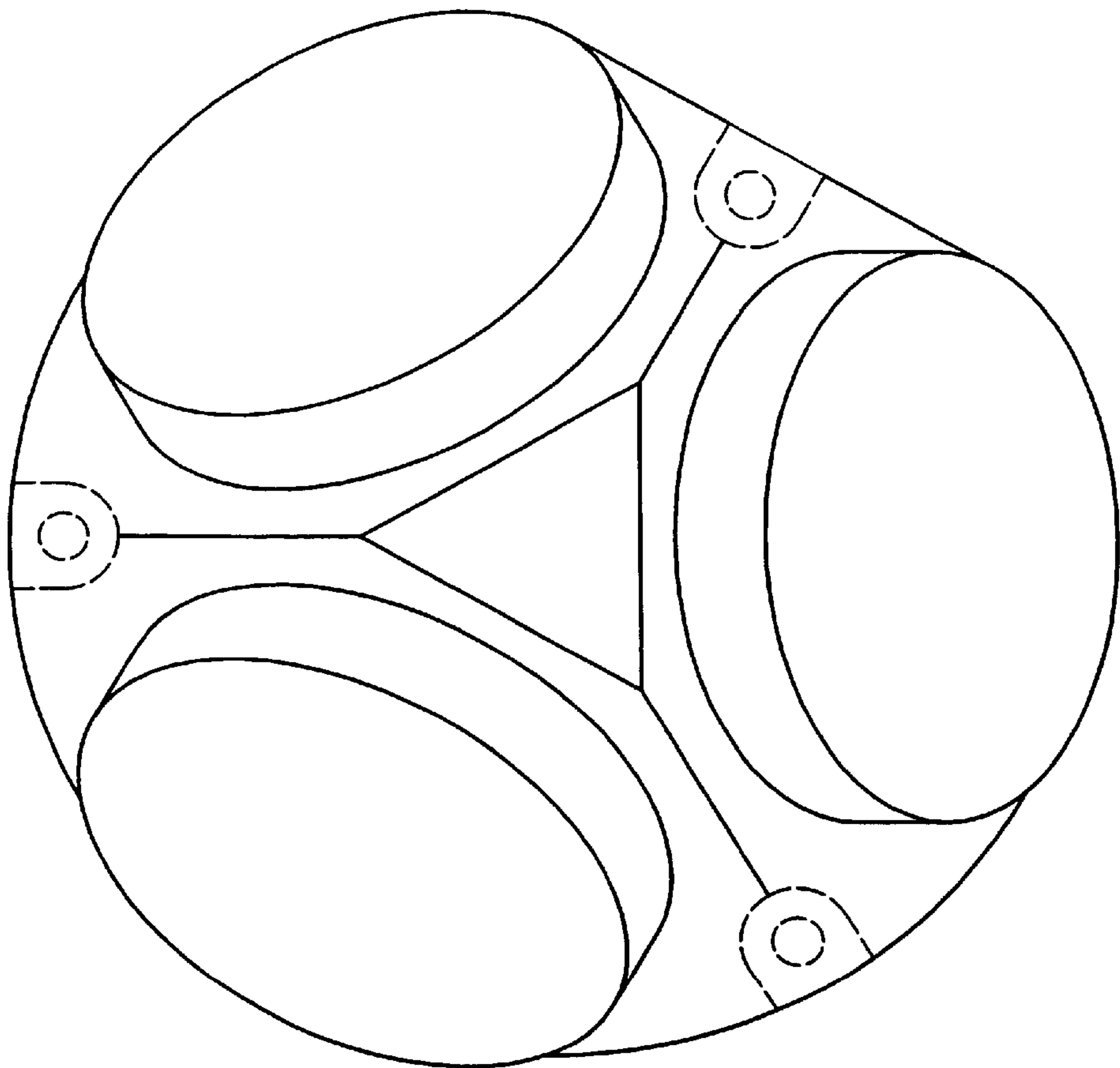


FIG. 4

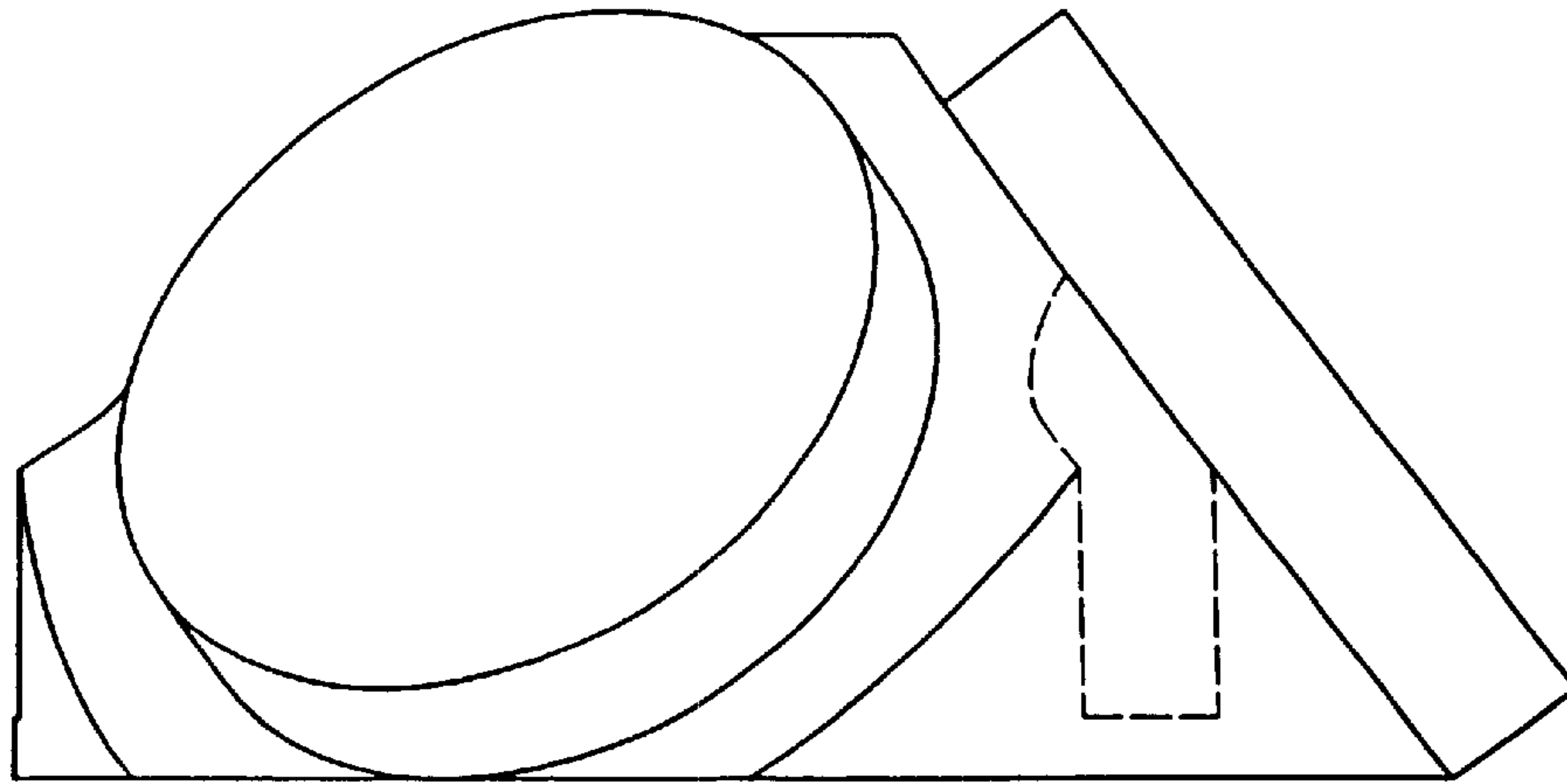


FIG. 5

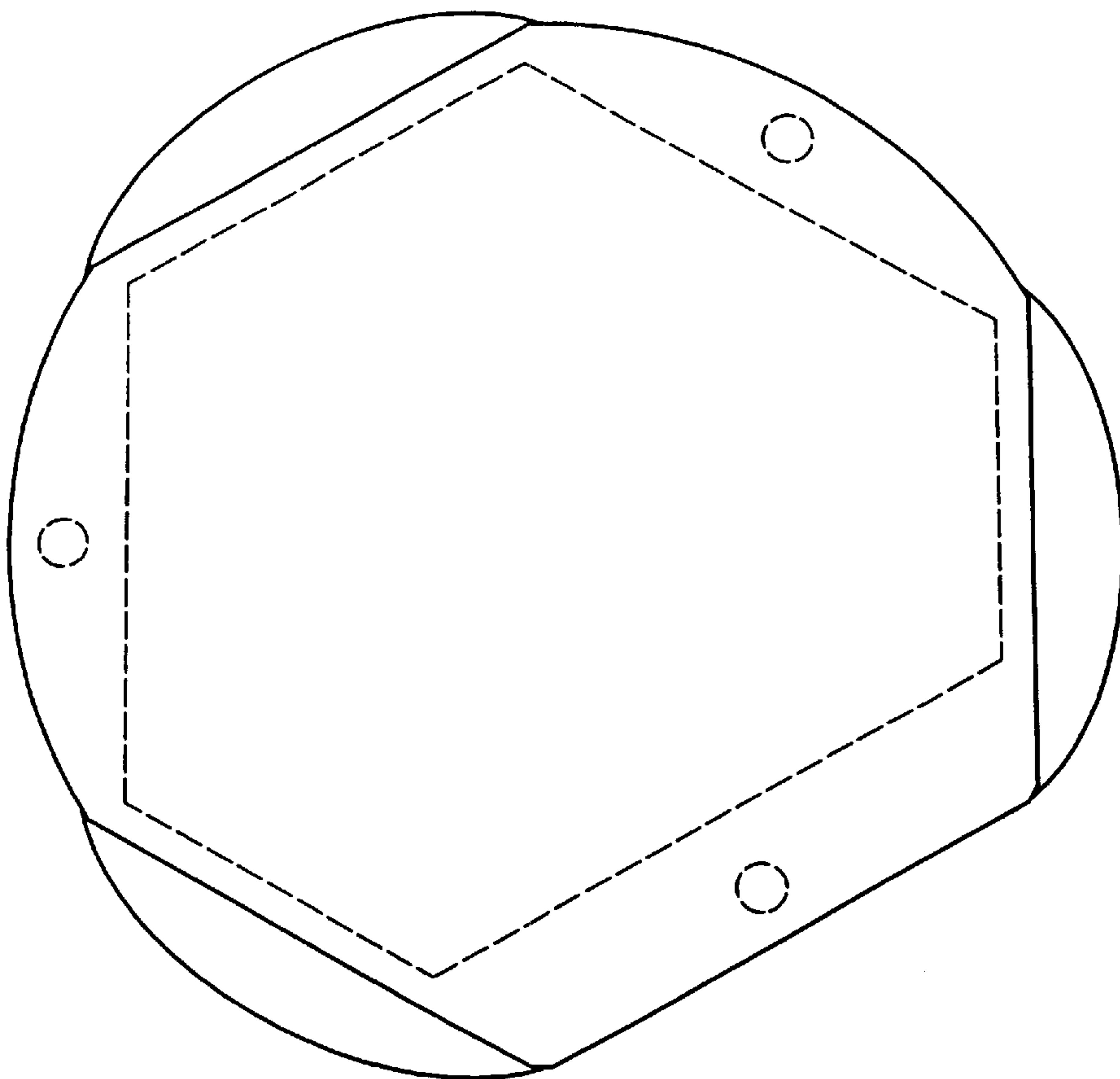


FIG. 6