



US00D455661S

(12) **United States Design Patent**
Nussbaum

(10) **Patent No.: US D455,661 S**

(45) **Date of Patent: ** Apr. 16, 2002**

(54) **WRISTWATCH**

(75) Inventor: **Augustin Nussbaum, Gals (CH)**

(73) Assignee: **The Swatch Group Ltd, Beil (CH)**

(**) Term: **14 Years**

(21) Appl. No.: **29/134,172**

(22) Filed: **Dec. 15, 2000**

(30) **Foreign Application Priority Data**

Jun. 20, 2000 (XH) DM/052 338

(51) **LOC (7) Cl. 10-02**

(52) **U.S. Cl. D10/32**

(58) **Field of Search** D10/1-39, 122-132;
368/276-277, 285, 281-282; D11/3-25;
63/1-11

(56) **References Cited**

U.S. PATENT DOCUMENTS

- D354,445 S * 1/1995 Wunderman D10/32
- D366,036 S * 1/1996 Houlihan D14/114
- D404,319 S * 1/1999 Deleskiewicz D10/32
- D441,681 S * 5/2001 Voirol D11/3

OTHER PUBLICATIONS

- Jeweler's Circular-Keystone-Jul. 1987—p. 23—watches.*
- Swiss Watch & Jewelry Journal—Apr. 1988—p. 551—rect. watches.*

* cited by examiner

Primary Examiner—Nelson C. Holtje

(74) *Attorney, Agent, or Firm*—Robert M. McDermott

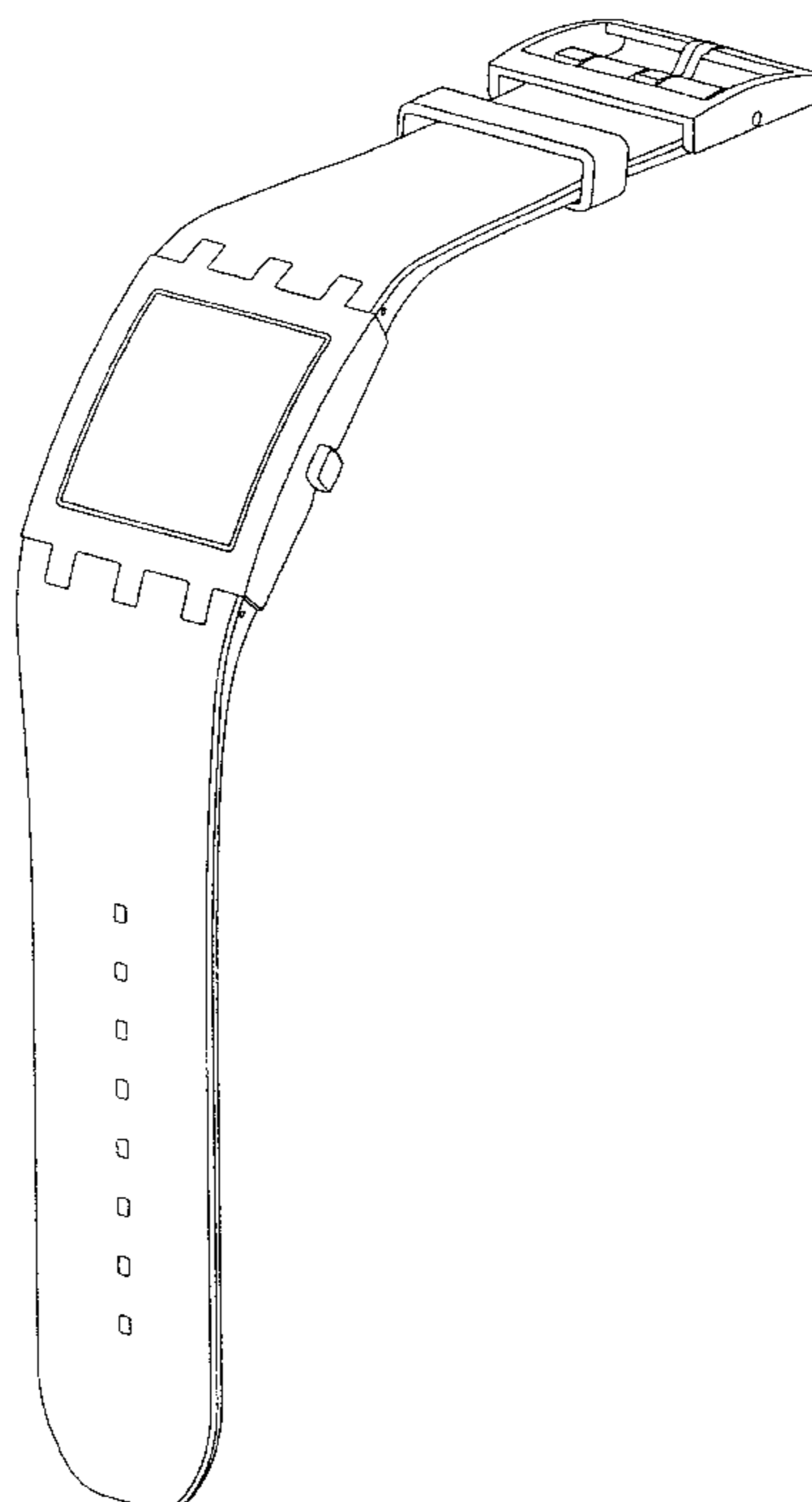
(57) **CLAIM**

The ornamental design for a wristwatch, as shown and described.

DESCRIPTION

FIG. 1 is a front view of my new and ornamental design for a wristwatch;
 FIG. 2 is a rear view thereof;
 FIG. 3 is a right side view thereof;
 FIG. 4 is a left side view thereof;
 FIG. 5 is a top view thereof;
 FIG. 6 is a bottom view thereof;
 FIG. 7 is a front perspective view thereof;
 FIG. 8 is a rear perspective view thereof;
 FIG. 9 is a front view of an alternative embodiment of my new and ornamental design for a wristwatch;
 FIG. 10 is a rear view thereof;
 FIG. 11 is a right side view thereof;
 FIG. 12 is a left side view thereof;
 FIG. 13 is a top view thereof;
 FIG. 14 is a bottom view thereof;
 FIG. 15 is a front perspective view thereof;
 FIG. 16 is a rear perspective view thereof;
 FIG. 17 is a front view of another alternative embodiment of my new and ornamental design for a wristwatch;
 FIG. 18 is a rear view thereof;
 FIG. 19 is a right side view thereof;
 FIG. 20 is a left side view thereof;
 FIG. 21 is a top view thereof;
 FIG. 22 is a bottom view thereof;
 FIG. 23 is a front perspective view thereof; and,
 FIG. 24 is a rear perspective view thereof.

1 Claim, 18 Drawing Sheets



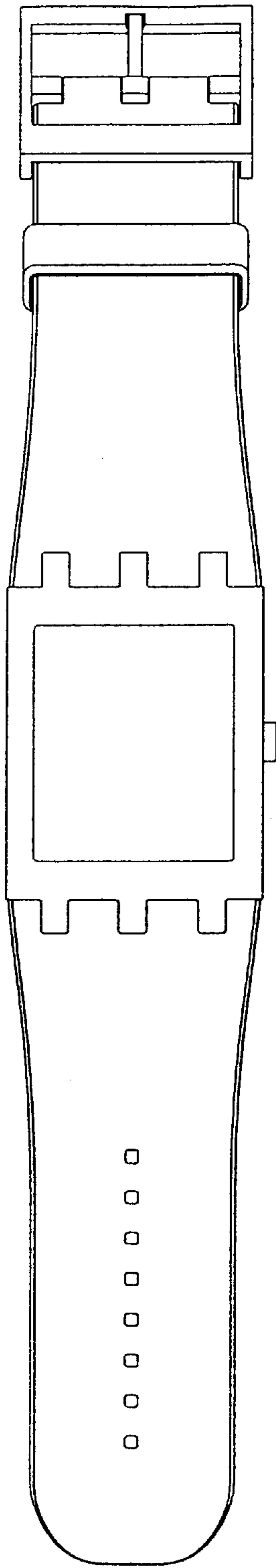


FIG. 1

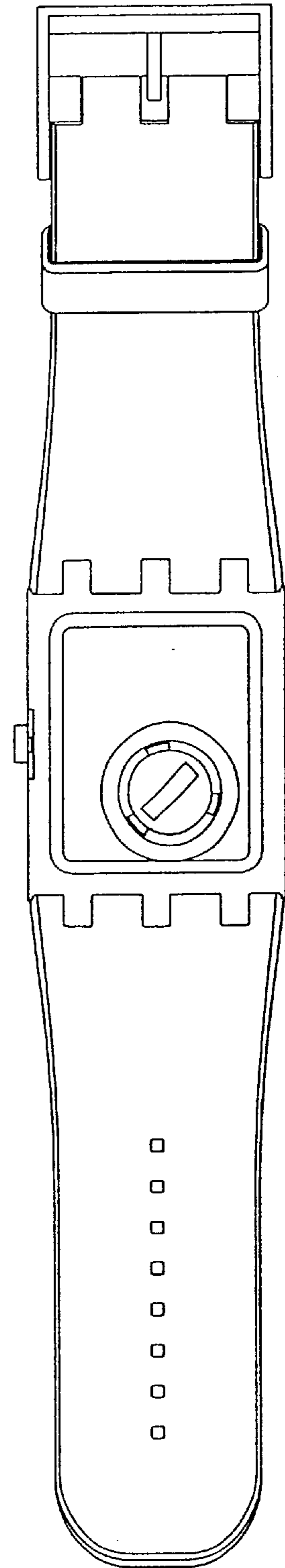


FIG. 2

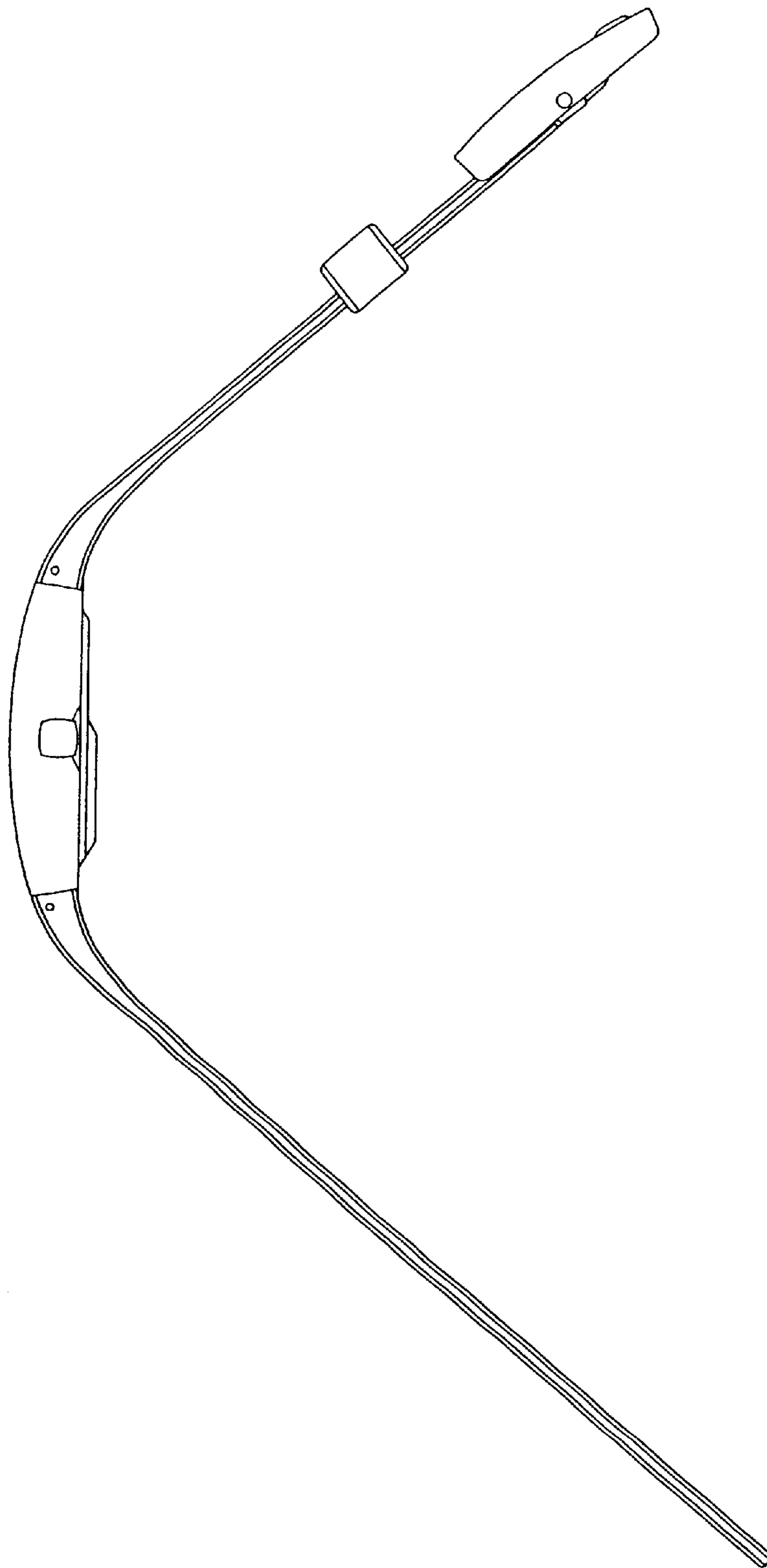


FIG. 3

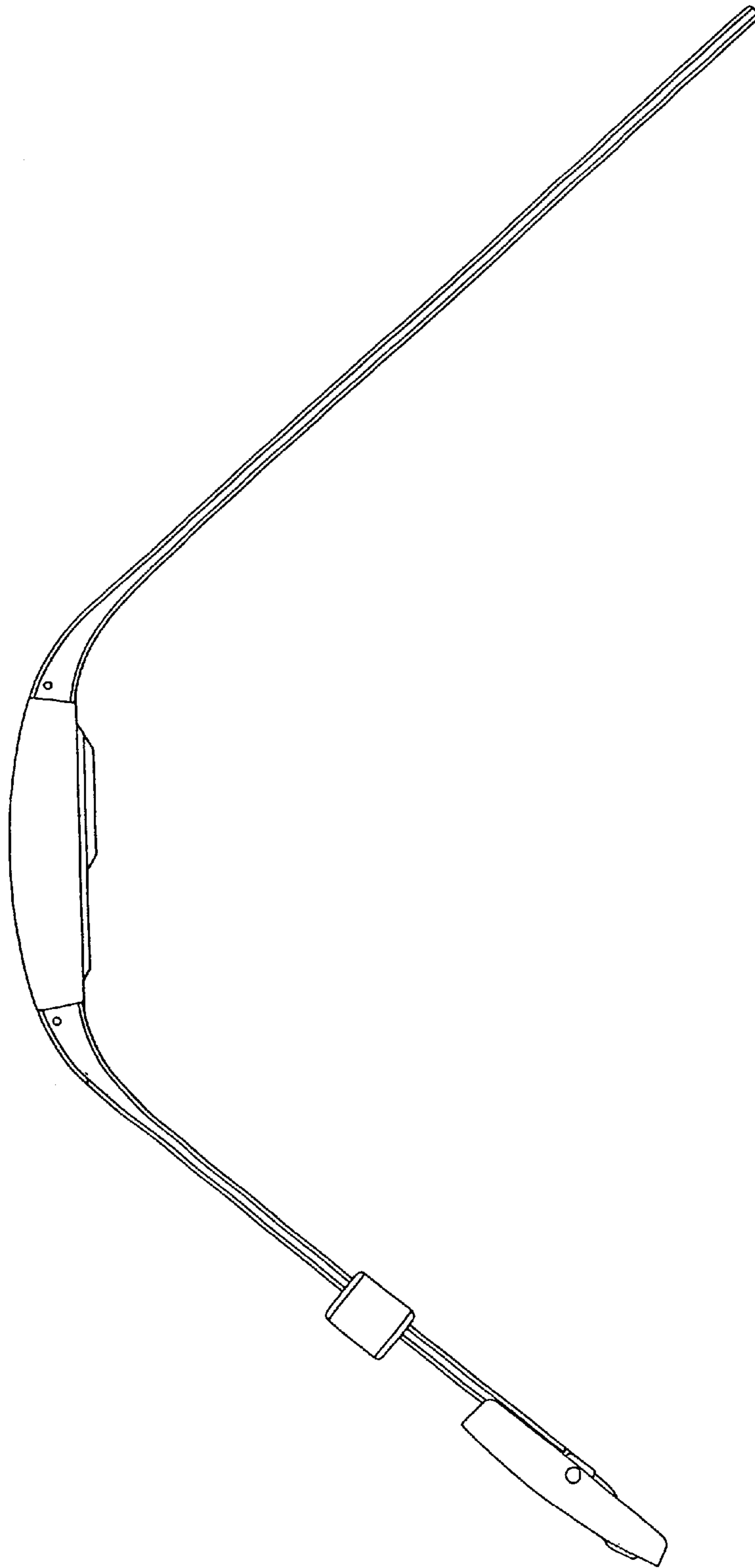


FIG. 4

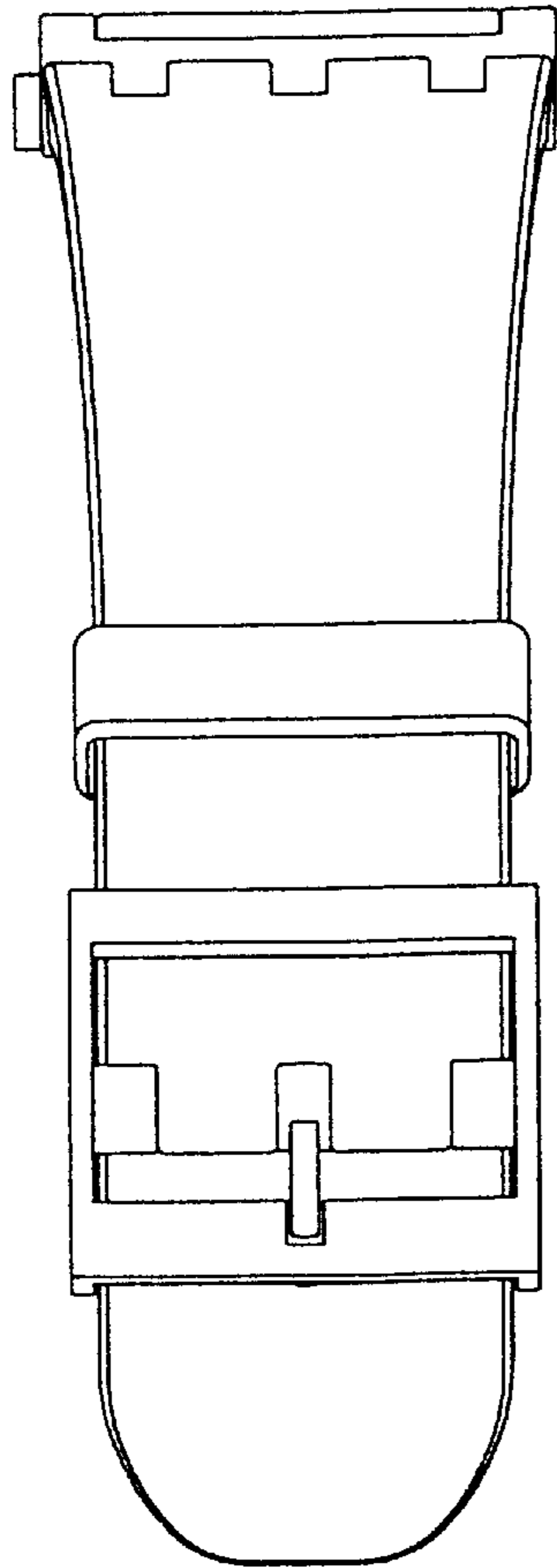


FIG. 5

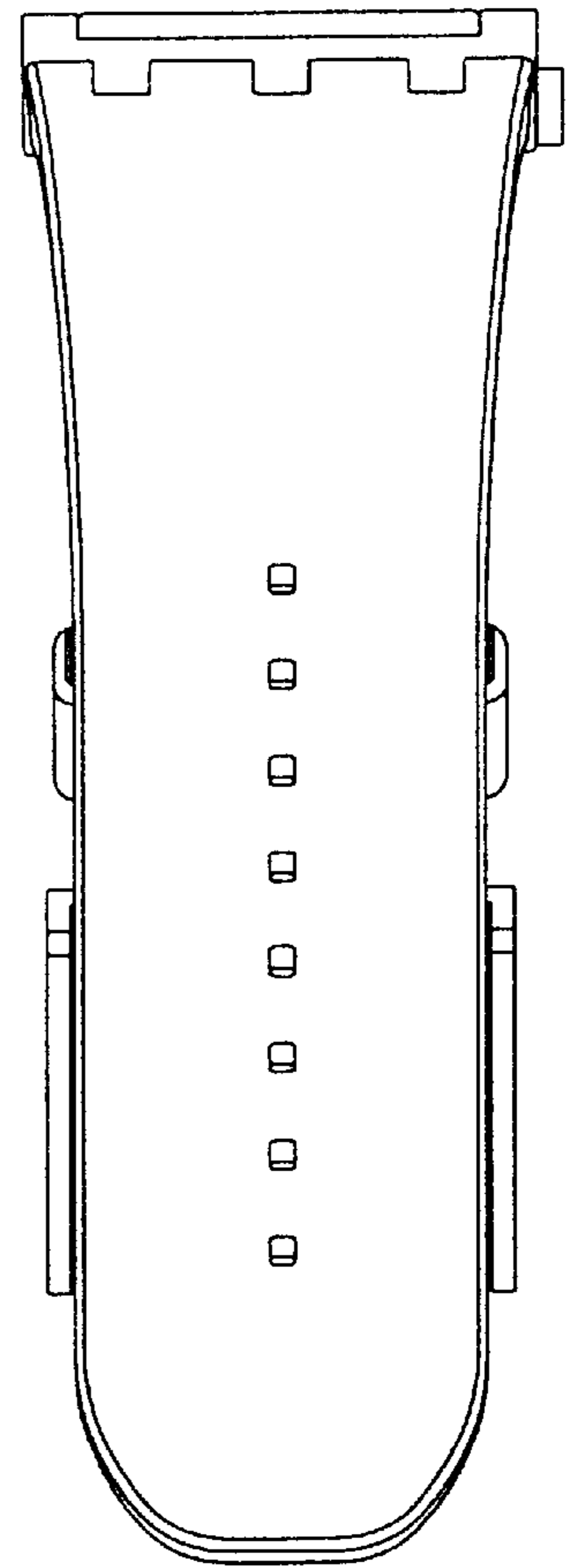


FIG. 6

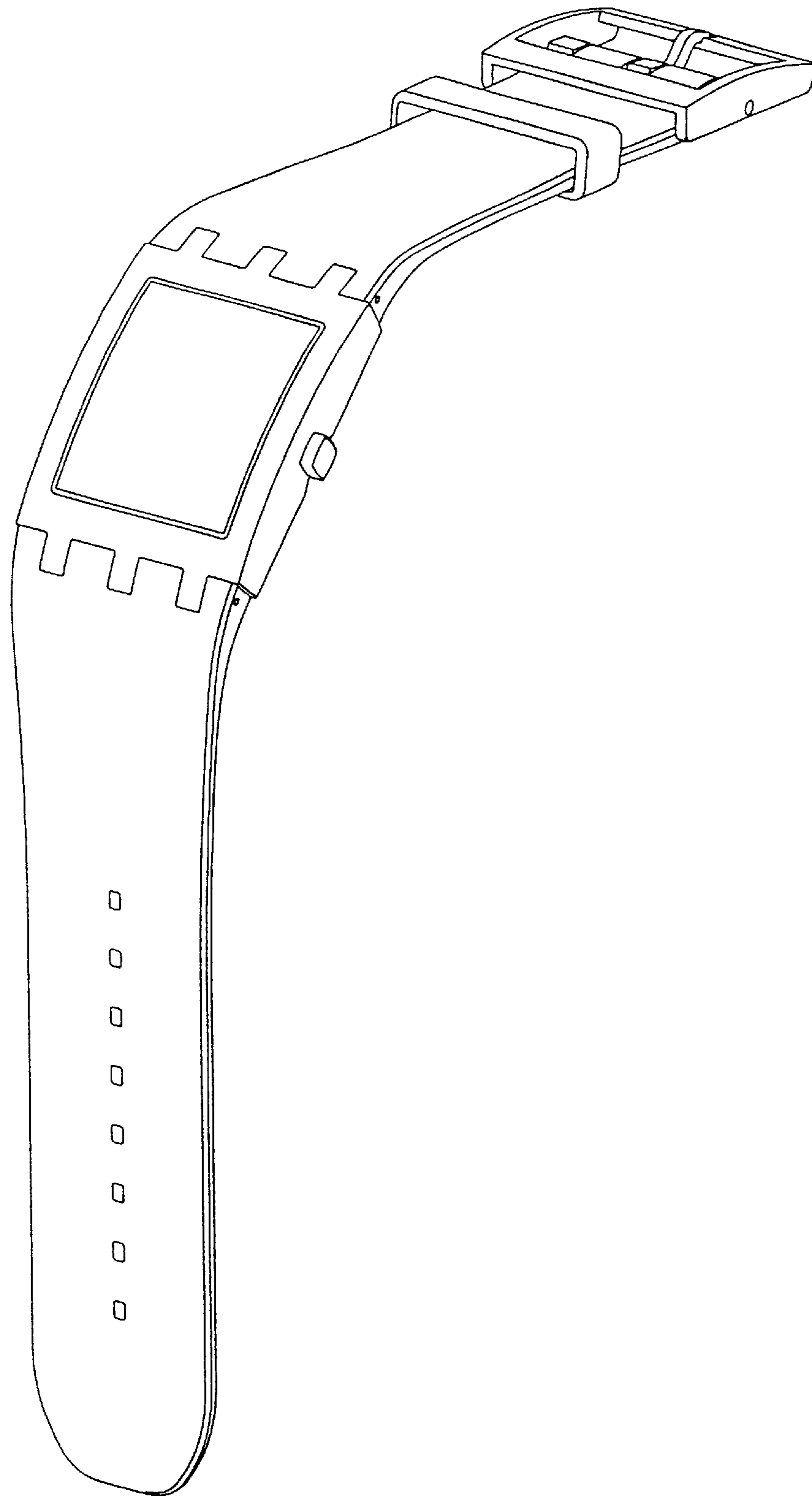


FIG. 7

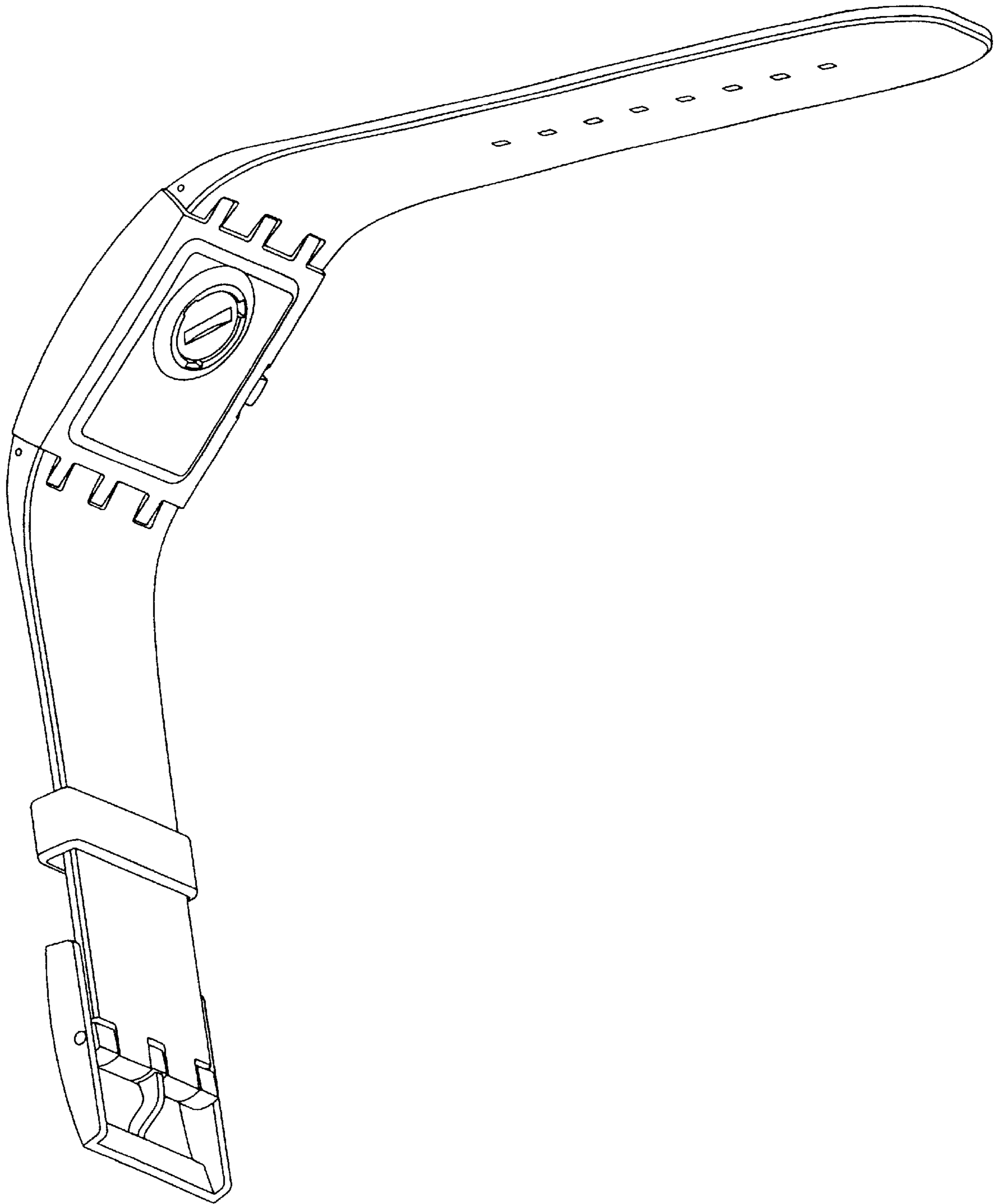


FIG. 8

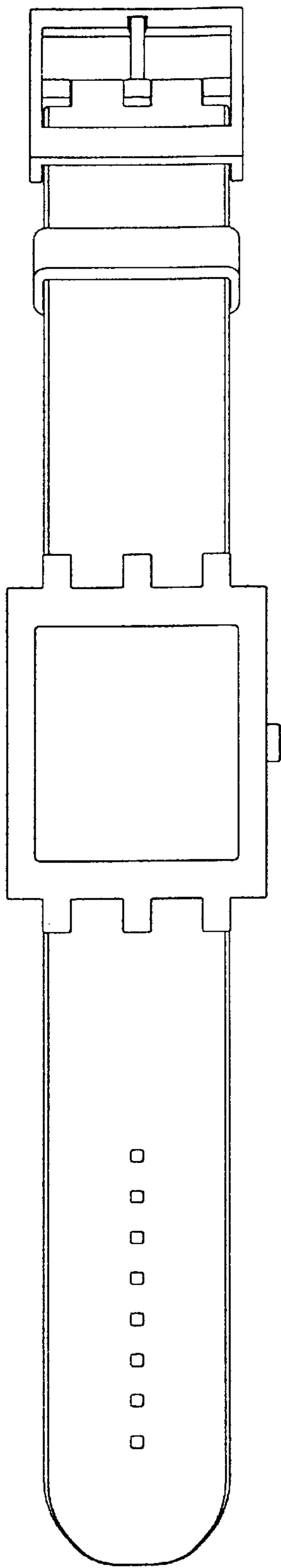


FIG. 9

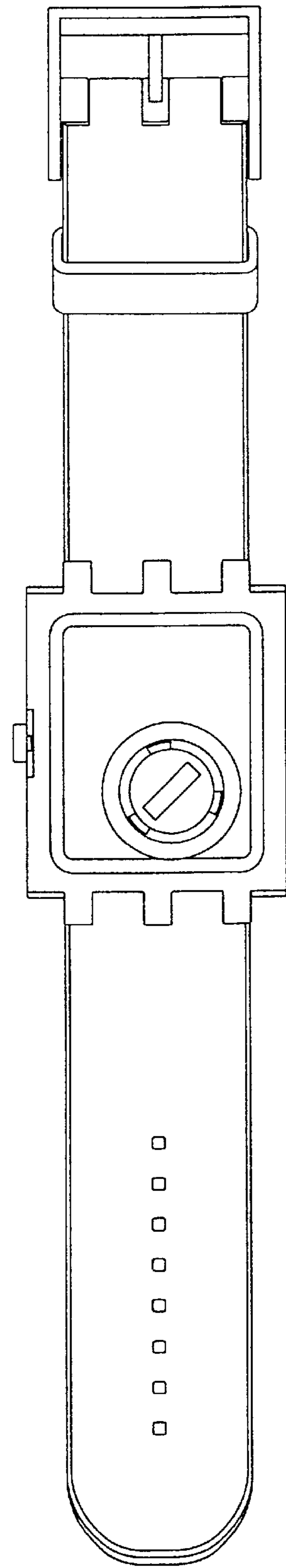


FIG. 10

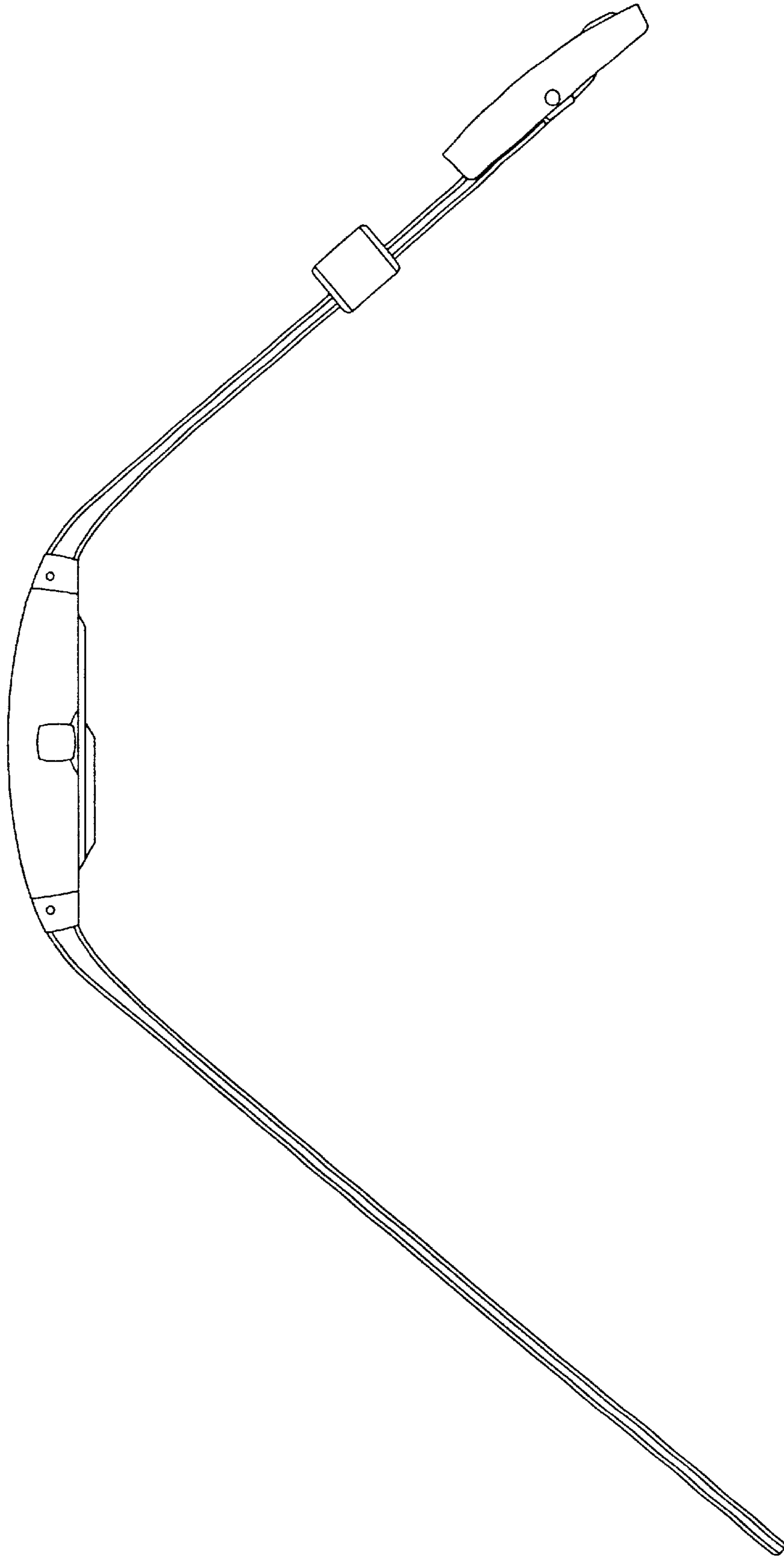


FIG. 11

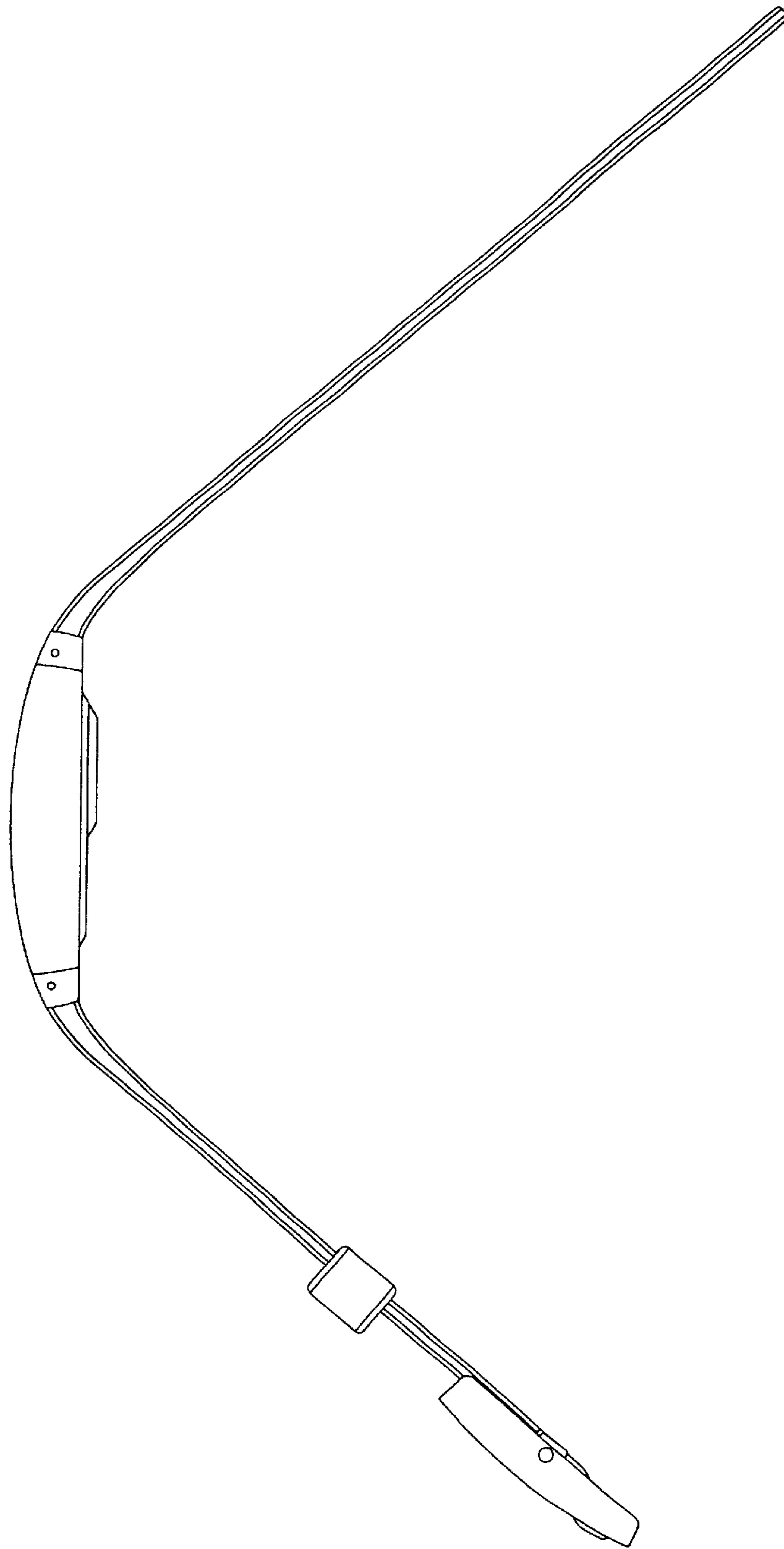


FIG. 12

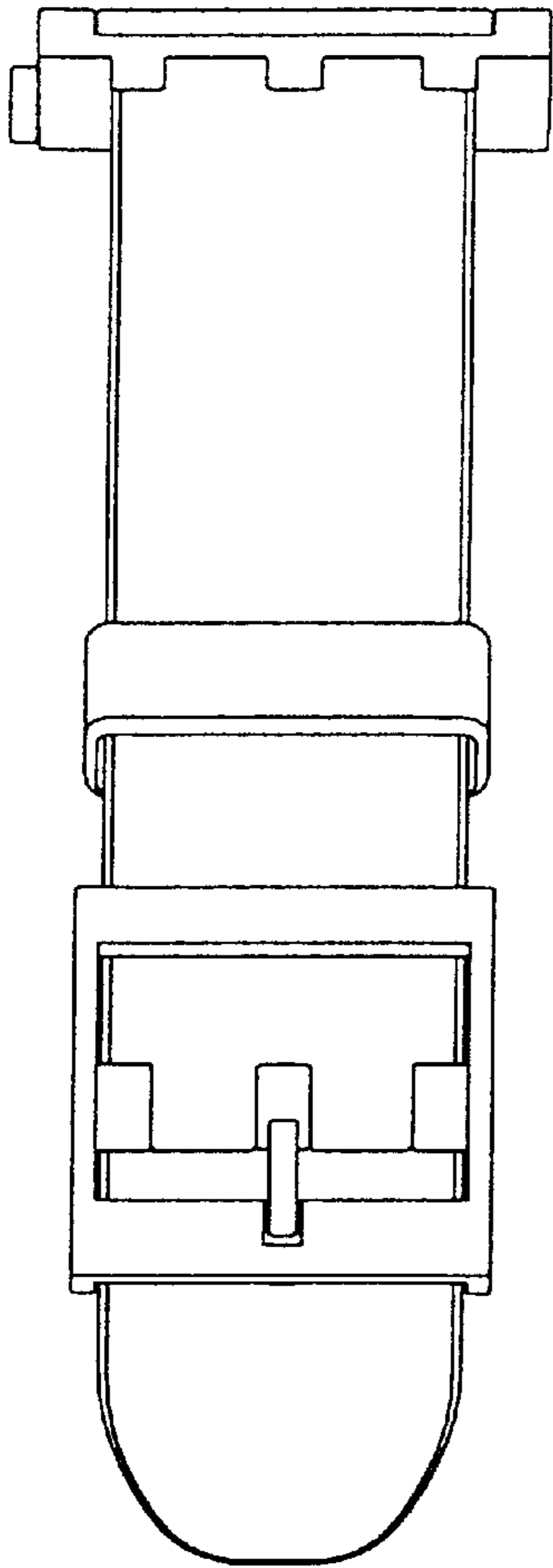


FIG. 13

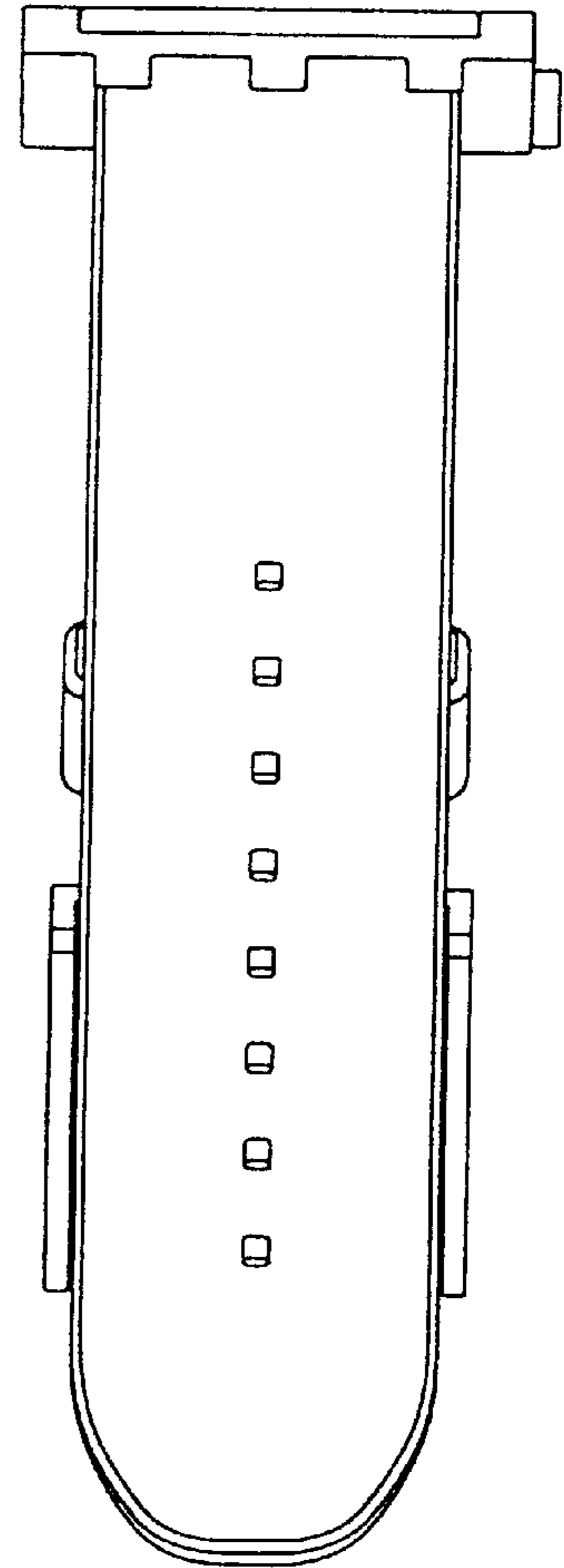


FIG. 14

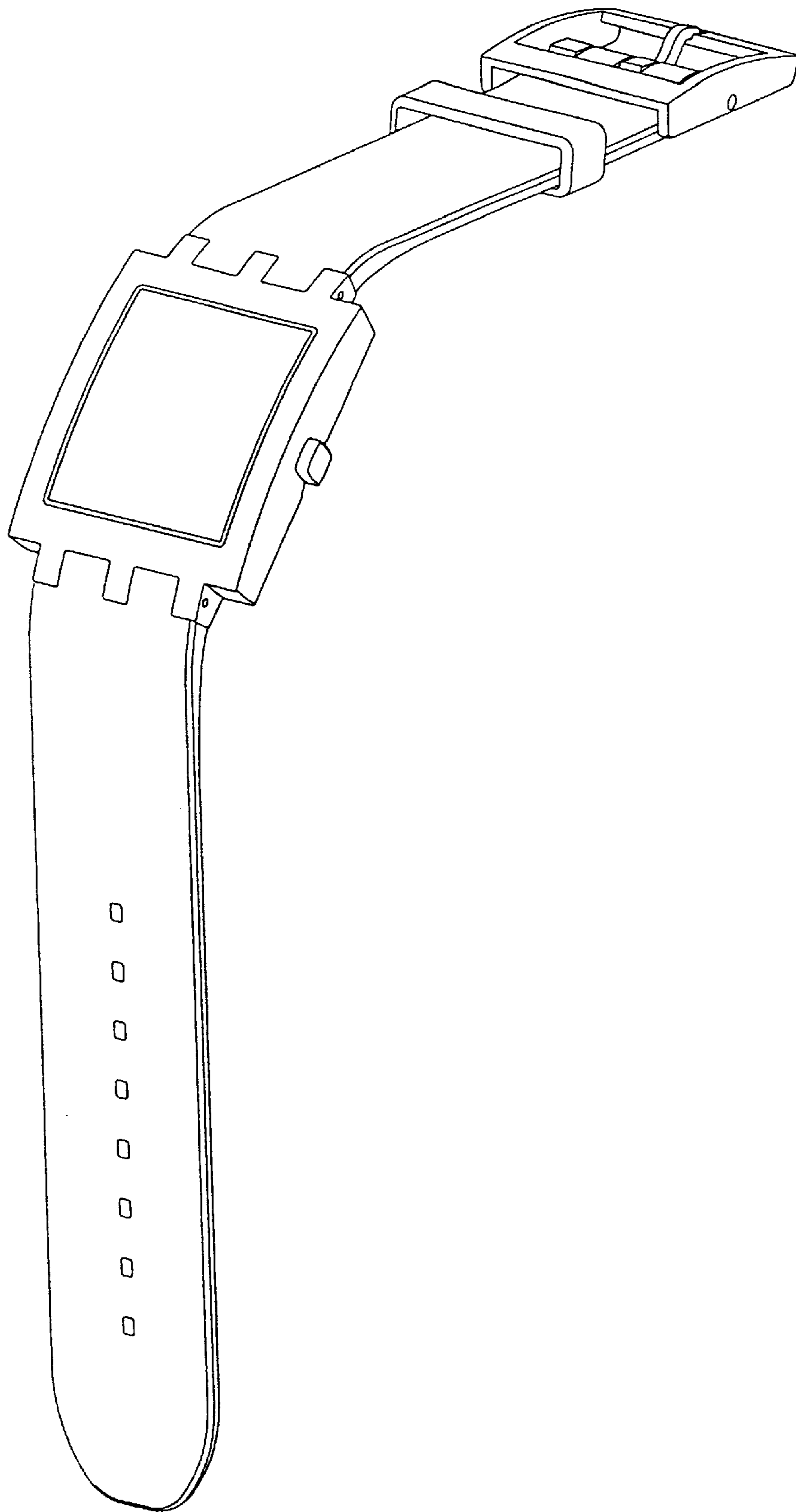


FIG. 15

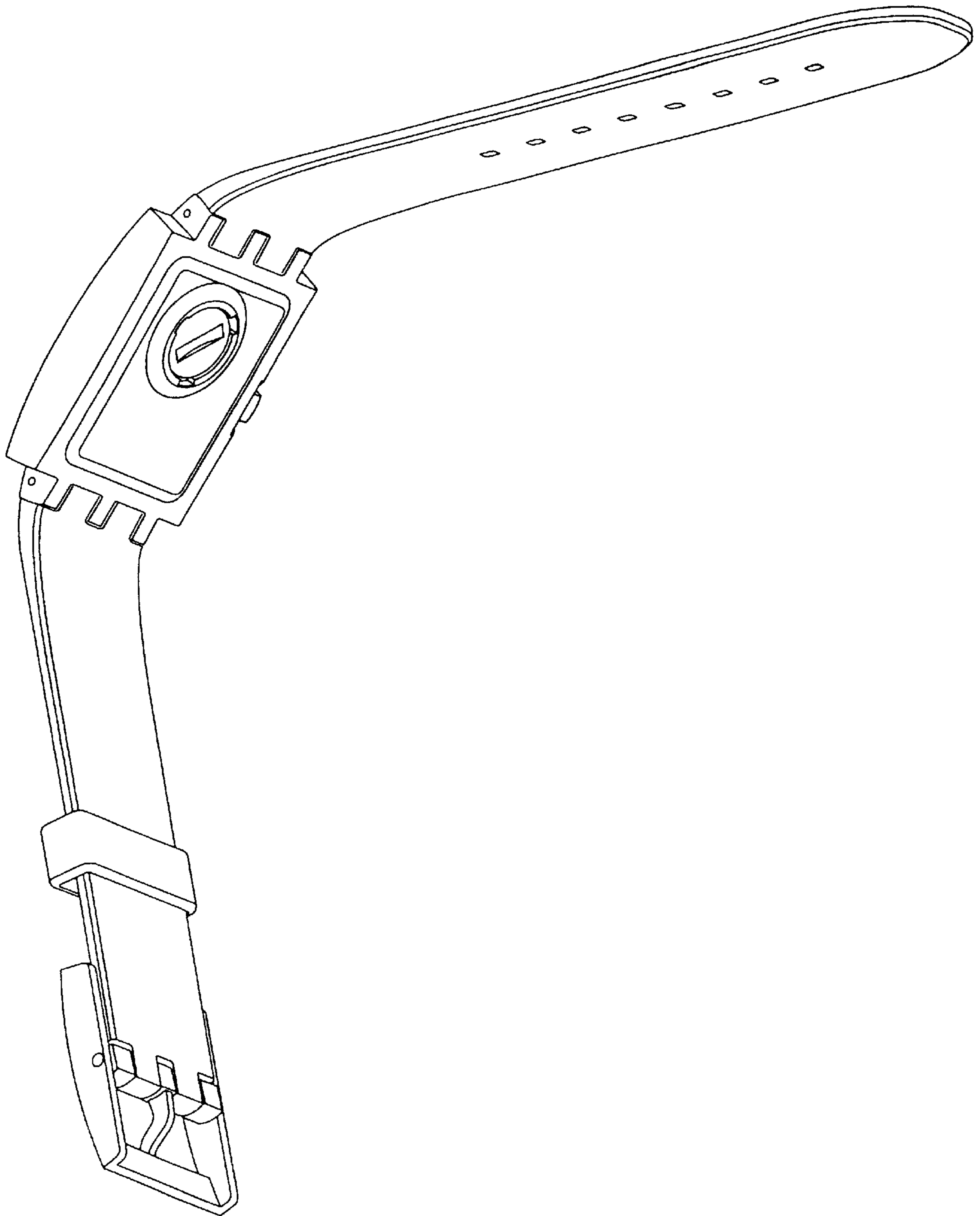


FIG. 16

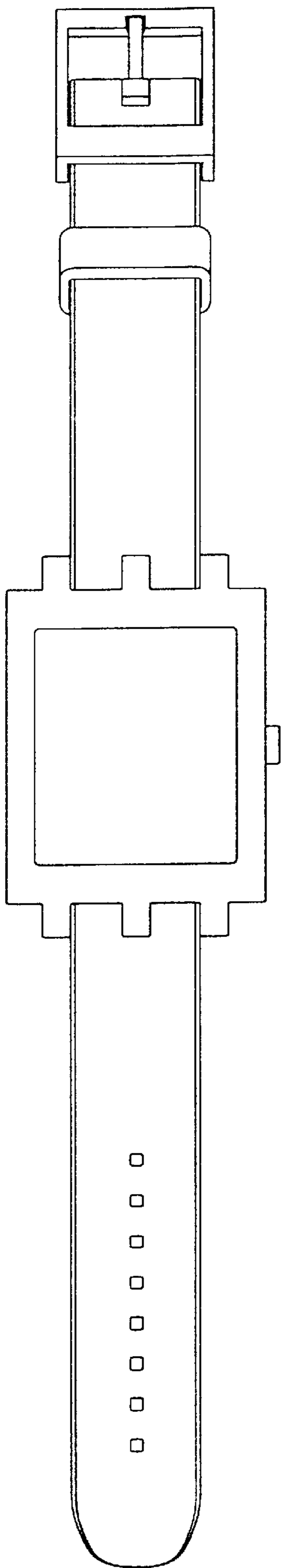


FIG. 17

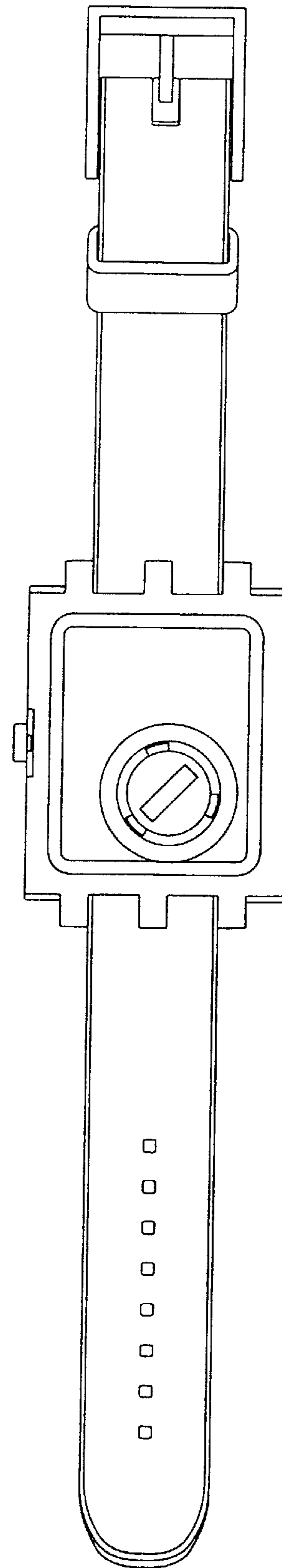


FIG. 18

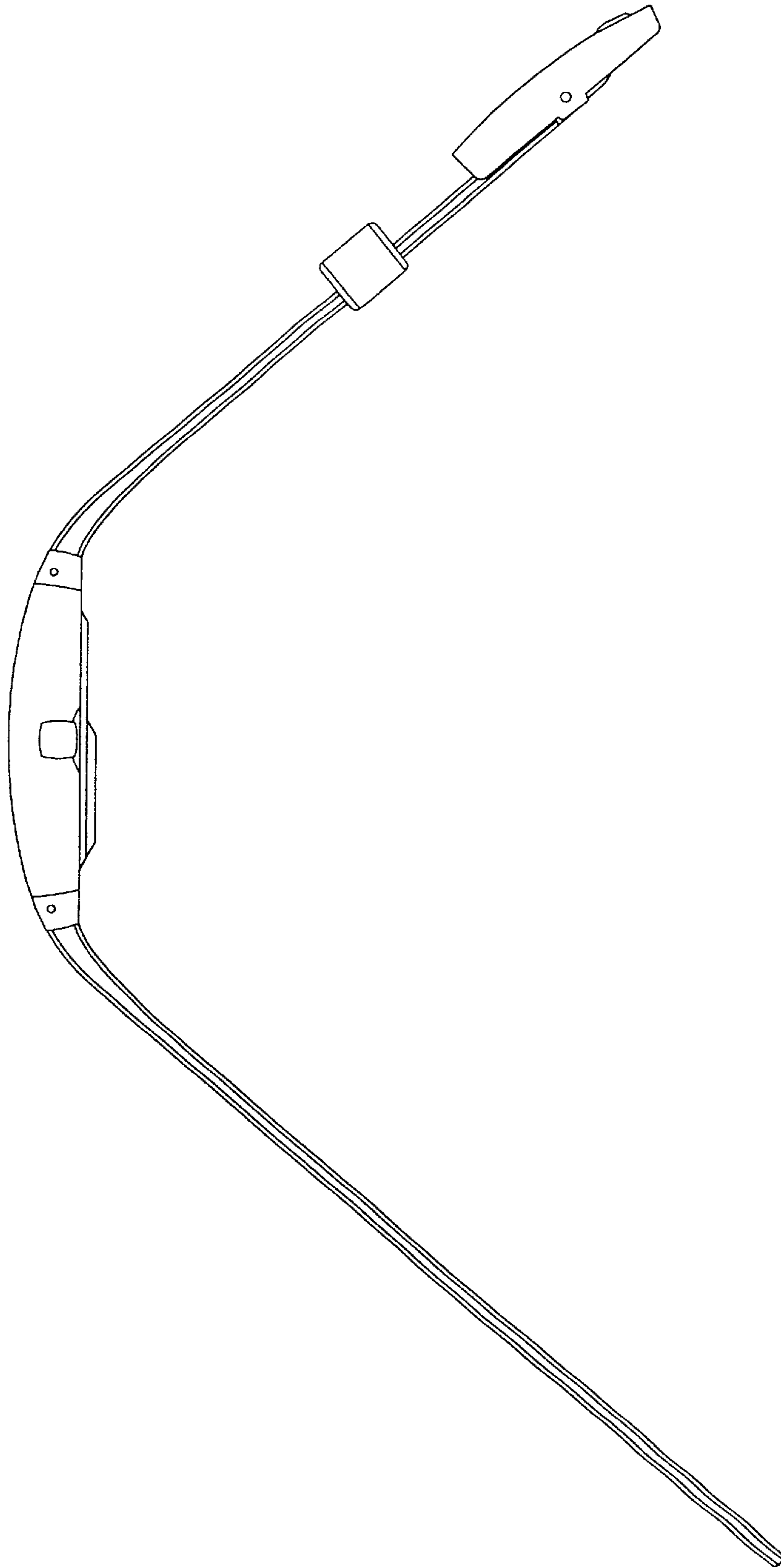


FIG. 19

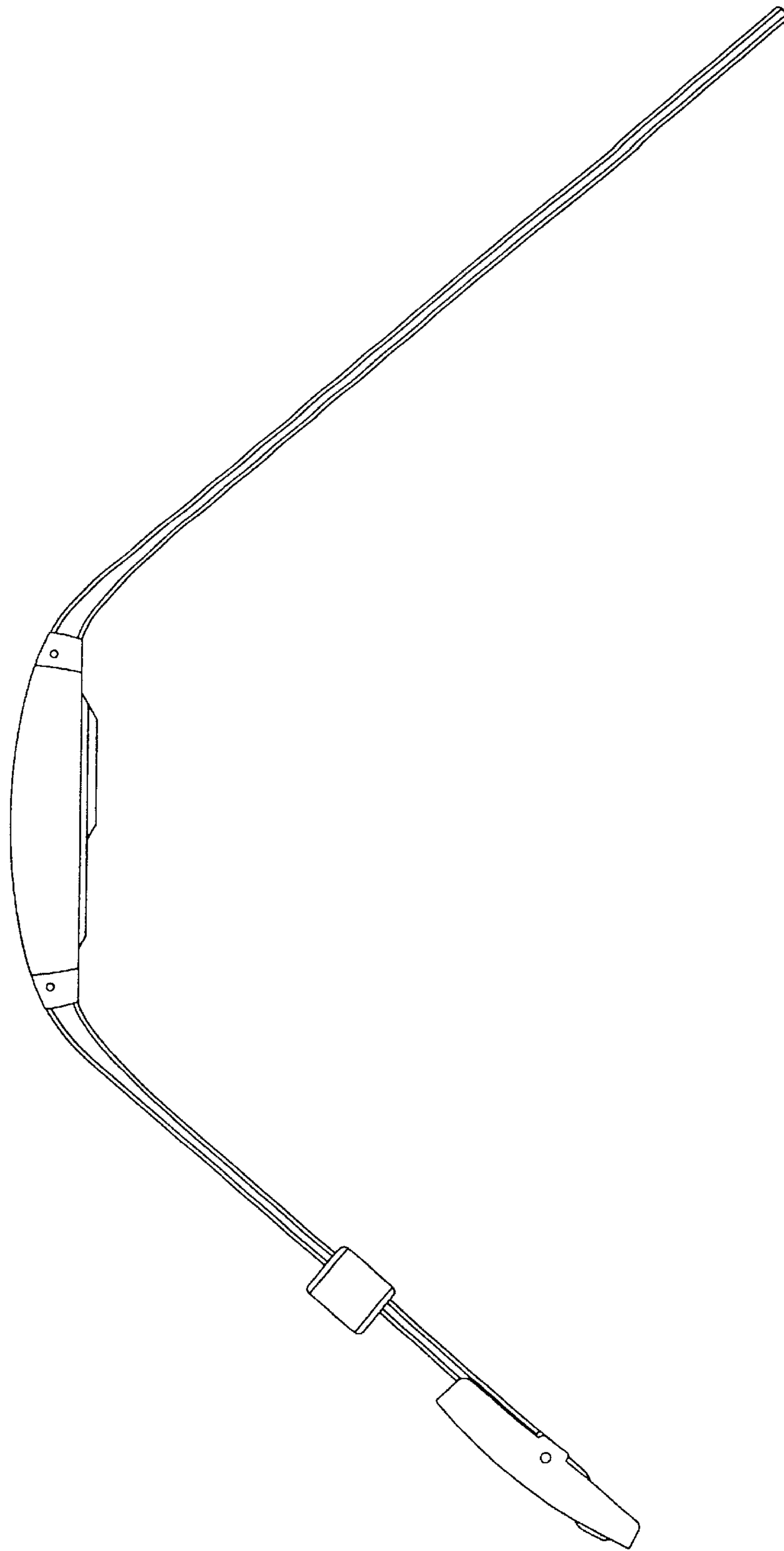


FIG. 20

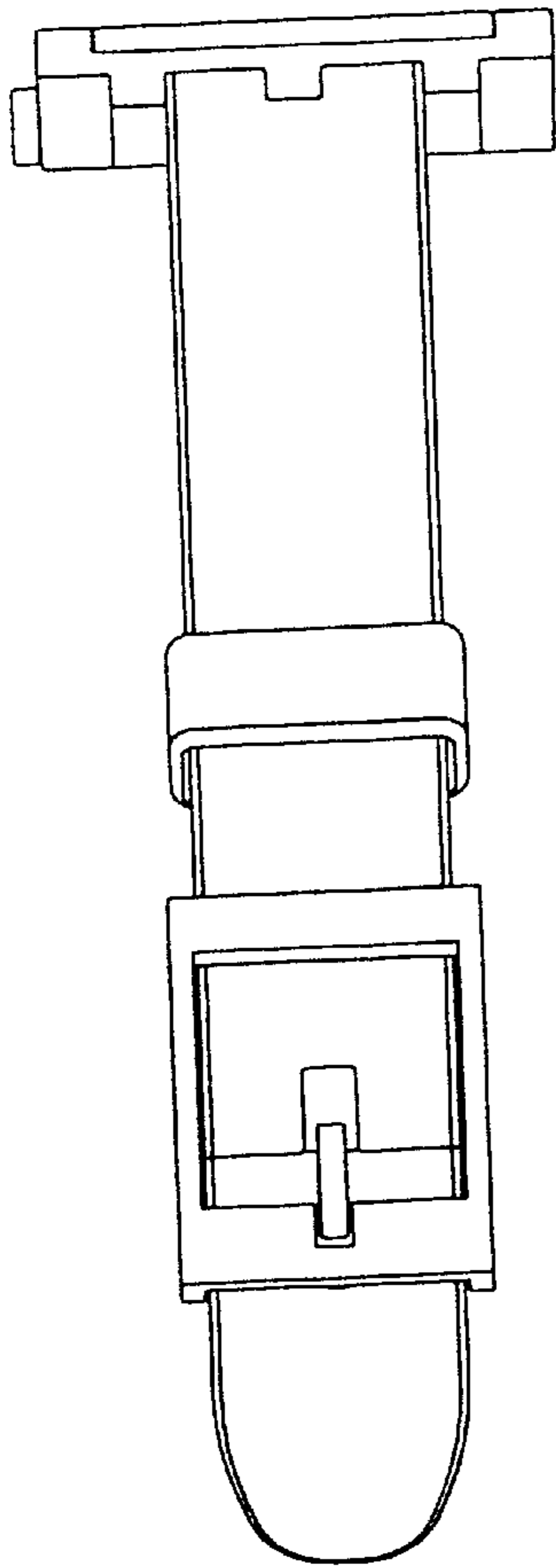


FIG. 21

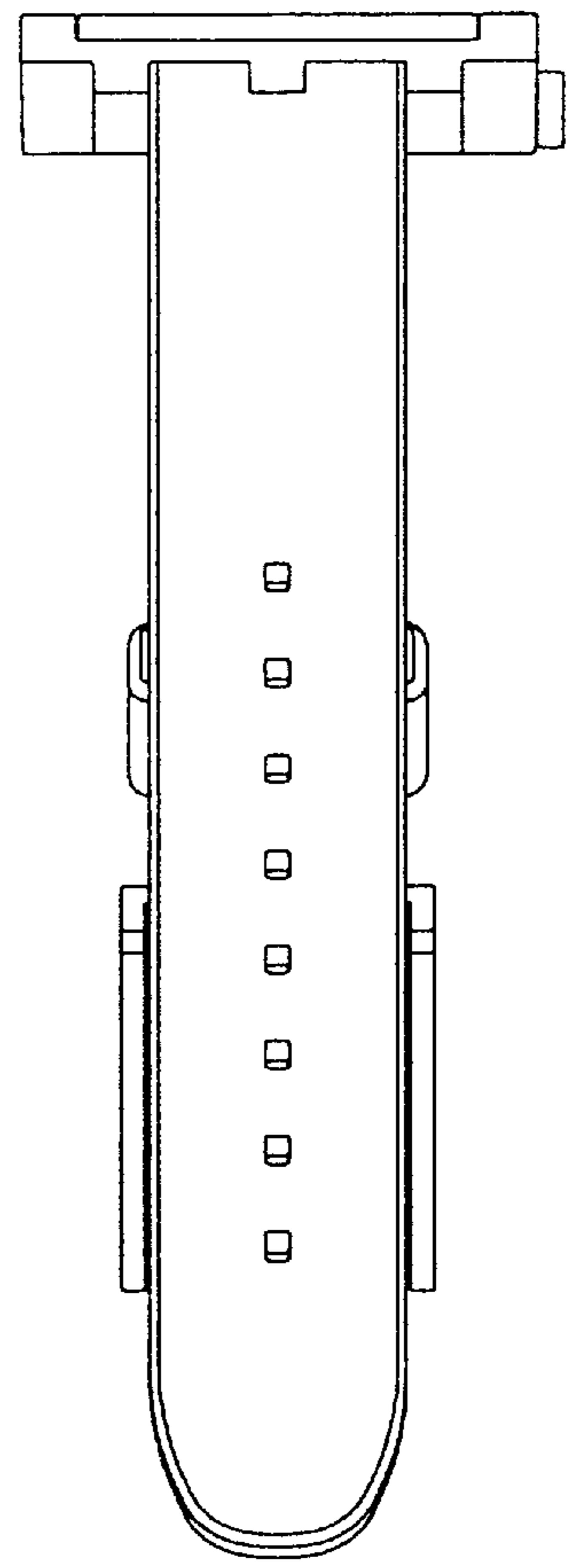


FIG. 22

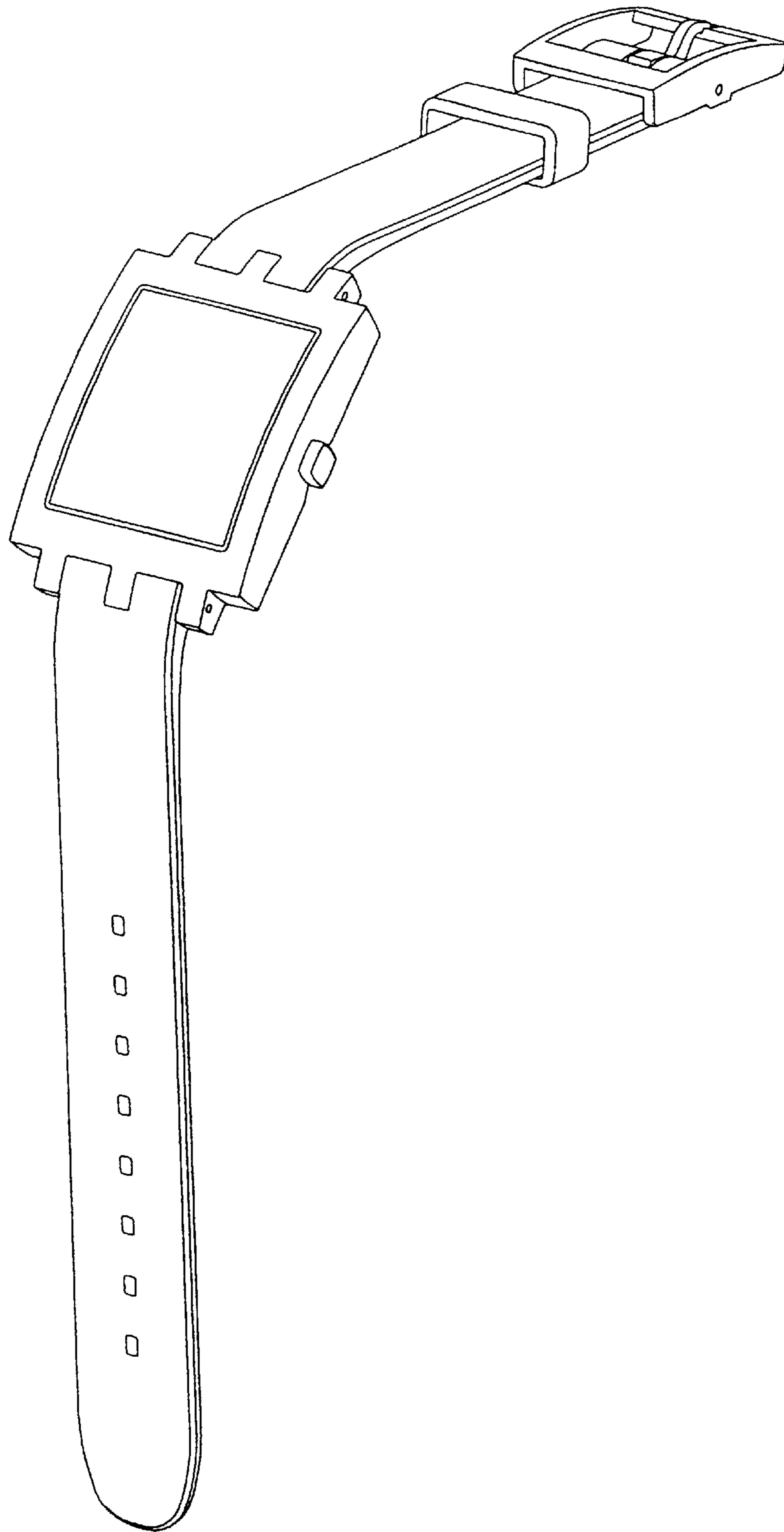


FIG. 23

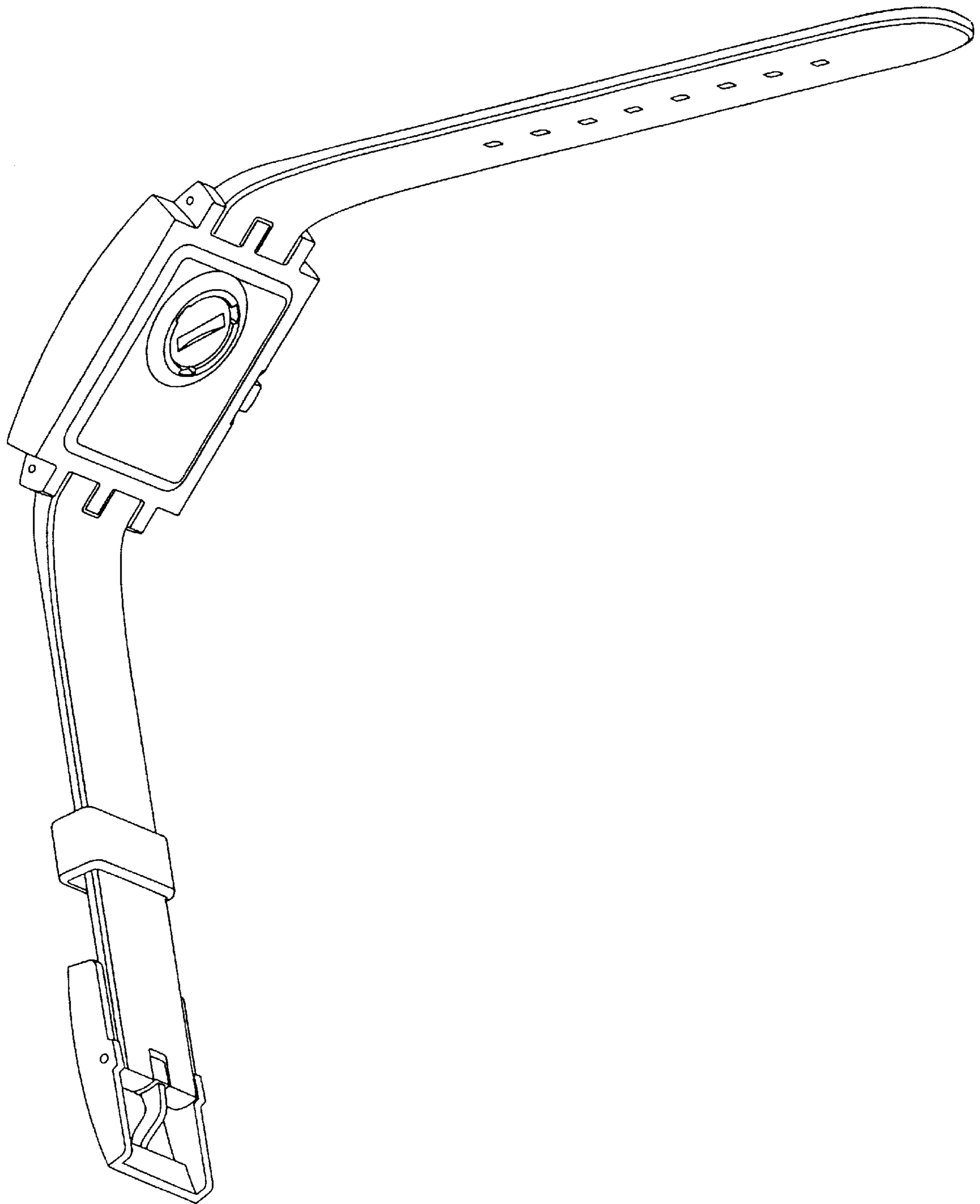


FIG. 24

UNITED STATES PATENT AND TRADEMARK OFFICE
CERTIFICATE OF CORRECTION

PATENT NO. : D455,661 S
APPLICATION NO. : 29/134172
DATED : April 16, 2002
INVENTOR(S) : Augustin Nussbaum

Page 1 of 1

It is certified that error appears in the above-identified patent and that said Letters Patent is hereby corrected as shown below:

Title Page, Item (73) the Assignee is listed incorrectly as The Swatch Group Ltd, Beil (CH).

Please reprint the title page with the Assignee listed as SWATCH AG (SWATCH SA)
(SWATCH LTD.), BIENNE (CH).

Signed and Sealed this
Twelfth Day of March, 2013



Teresa Stanek Rea
Acting Director of the United States Patent and Trademark Office