



US00D455658S

(12) **United States Design Patent**
Tsai

(10) **Patent No.:** **US D455,658 S**

(45) **Date of Patent:** **** Apr. 16, 2002**

(54) **FLUID CLOCK**

D383,395 S * 9/1997 Giesbrecht D10/6

(76) Inventor: **Jui-An Tsai**, 3F-2, No. 1181, SEC. 1, Kuo Chi RD, Tao Yuan Hsien (TW)

* cited by examiner

(**) Term: **14 Years**

Primary Examiner—Martie K. Holtje
(74) *Attorney, Agent, or Firm*—Dougherty & Troxell

(21) Appl. No.: **29/133,467**

(57) **CLAIM**

(22) Filed: **Dec. 1, 2000**

The ornamental design for a fluid clock, as shown and described.

(51) **LOC (7) Cl.** **10-06**

DESCRIPTION

(52) **U.S. Cl.** **D10/6; D10/25; D10/7**

(58) **Field of Search** D10/1, 2, 3-15,
D10/16-18, 19-40, 122-132; 368/10, 28-30,
62, 41-44, 82-84, 239-242, 276, 277, 280-282,
285, 316, 317

FIG. 1 is a perspective view of a fluid clock showing my new design;

FIG. 2 is a side elevational view thereof;

FIG. 3 is a top plan view thereof;

FIG. 4 is a front elevational view thereof;

FIG. 5 is a bottom plan view thereof;

FIG. 6 is an elevational view of the side opposite to FIG. 4; and

FIG. 7 is a rear elevational view thereof;

FIG. 8 is a perspective view, in an exploded condition, corresponding to a fluid clock; and,

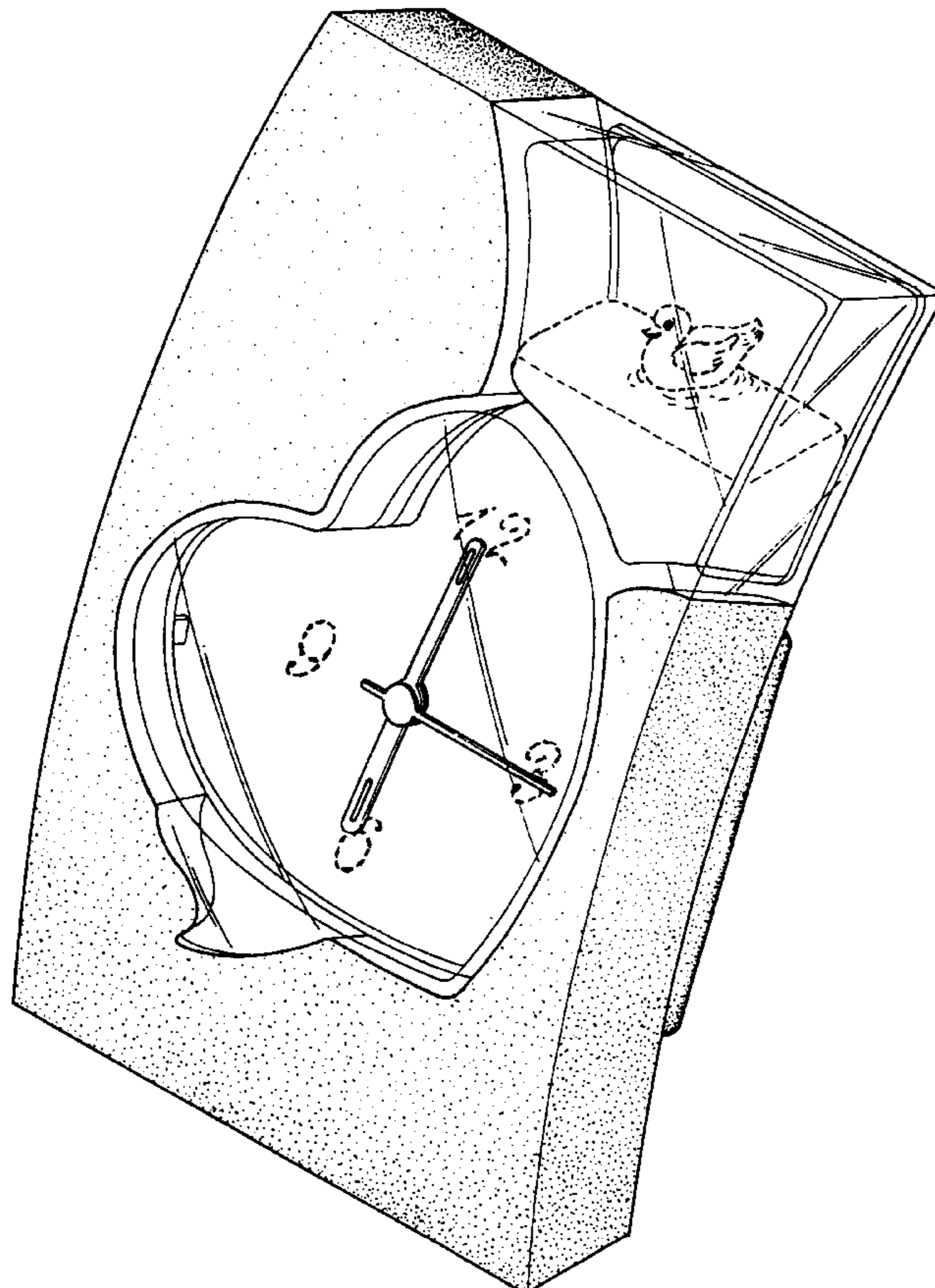
FIG. 9 is another perspective view corresponding to a fluid clock with the clock face, liquid and duck shown for illustrative purposes only and forming no part of the claimed design.

(56) **References Cited**

U.S. PATENT DOCUMENTS

D91,101 S	*	11/1933	Covone	D10/6
D211,894 S	*	8/1968	Tokar	D10/6
5,272,681 A	*	12/1993	Lee	368/62
5,305,292 A	*	4/1994	Reynoso	368/281
D348,222 S	*	6/1994	Fujimori	D10/7
D358,549 S	*	5/1995	Dlugosz et al.	D10/6
D362,189 S	*	9/1995	Chen	D10/6
D375,687 S	*	11/1996	Carman	D10/6
5,652,736 A	*	7/1997	Lee	368/278

1 Claim, 9 Drawing Sheets



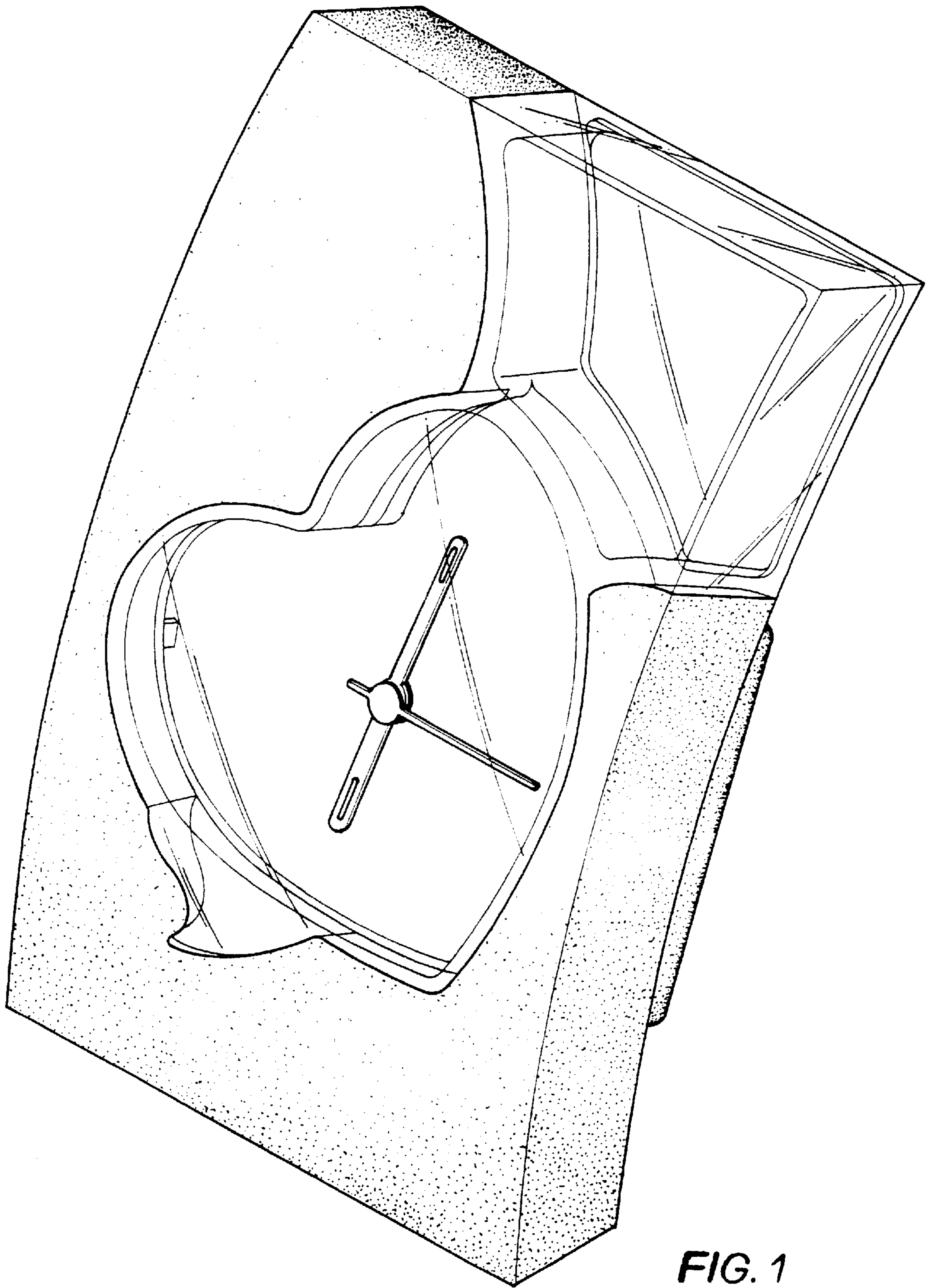


FIG. 1

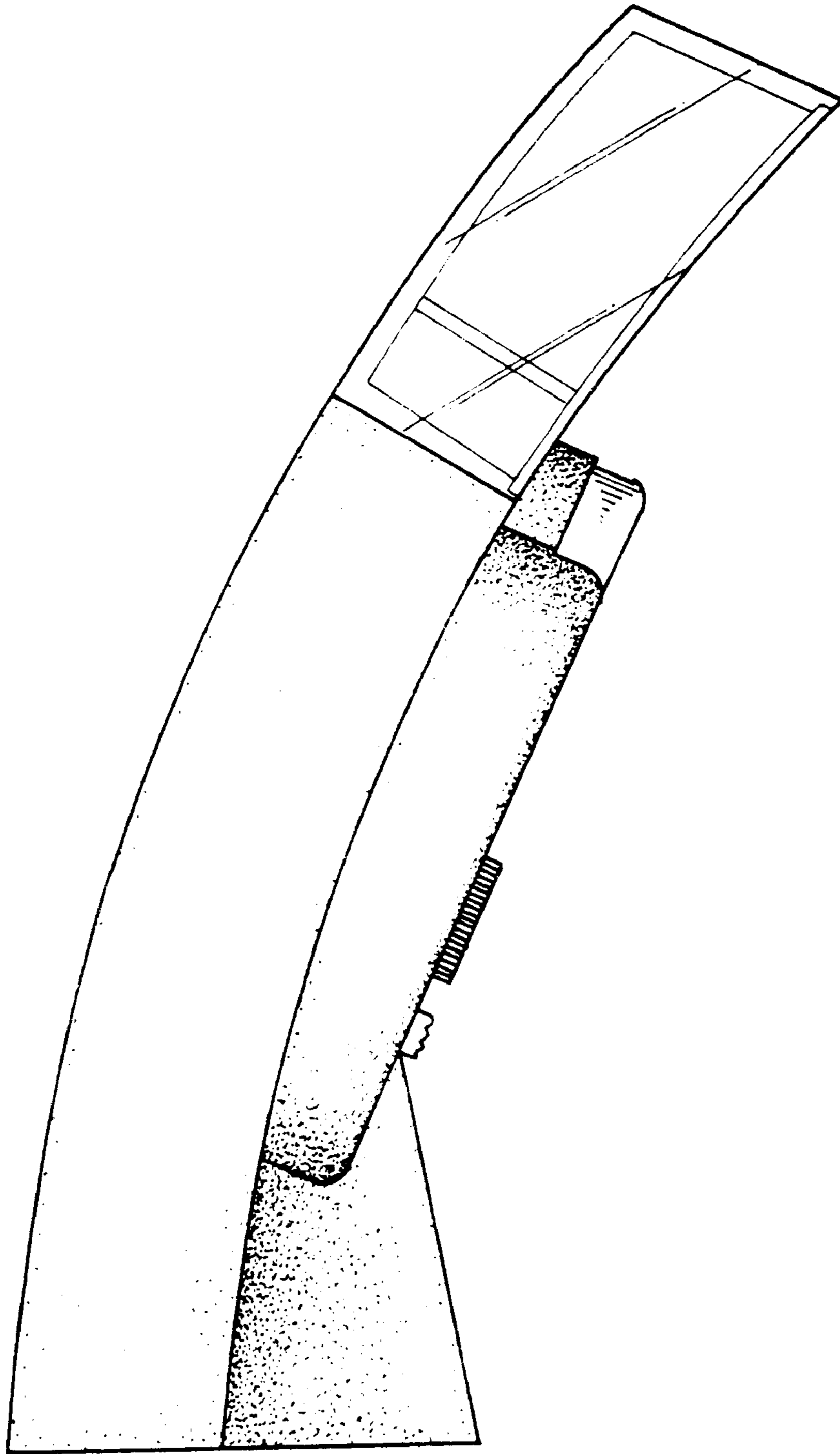


FIG. 2

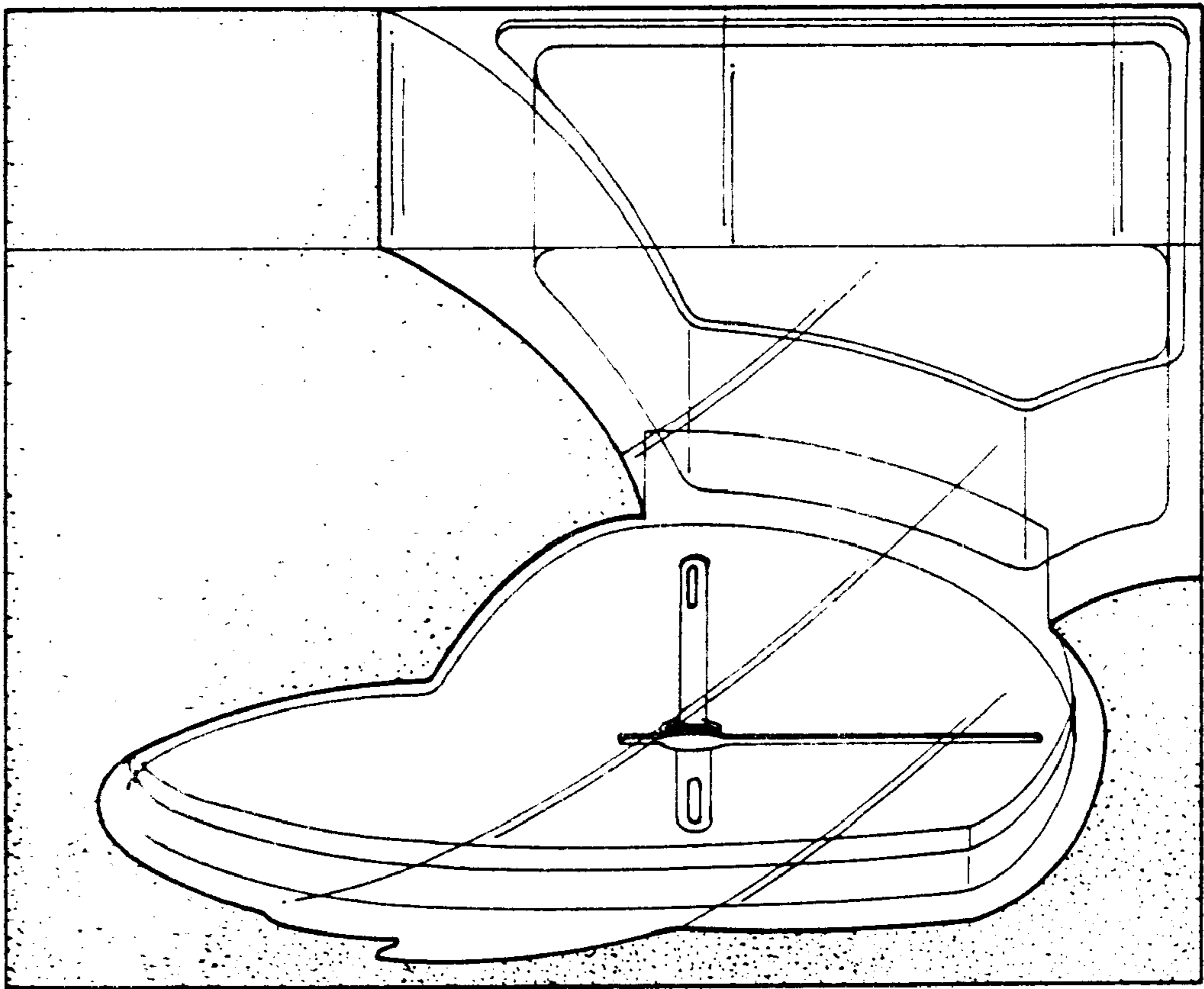


FIG. 3

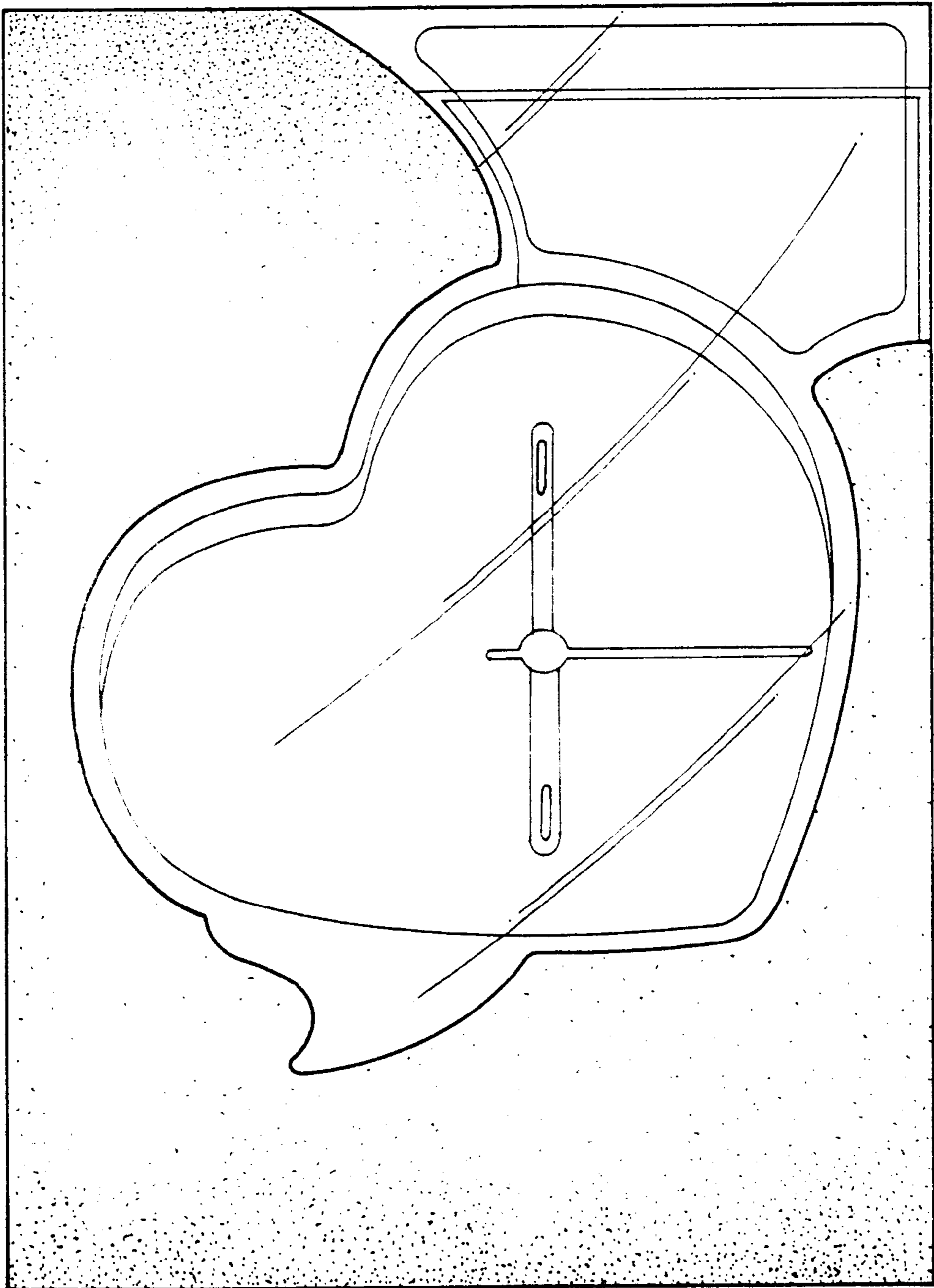


FIG. 4

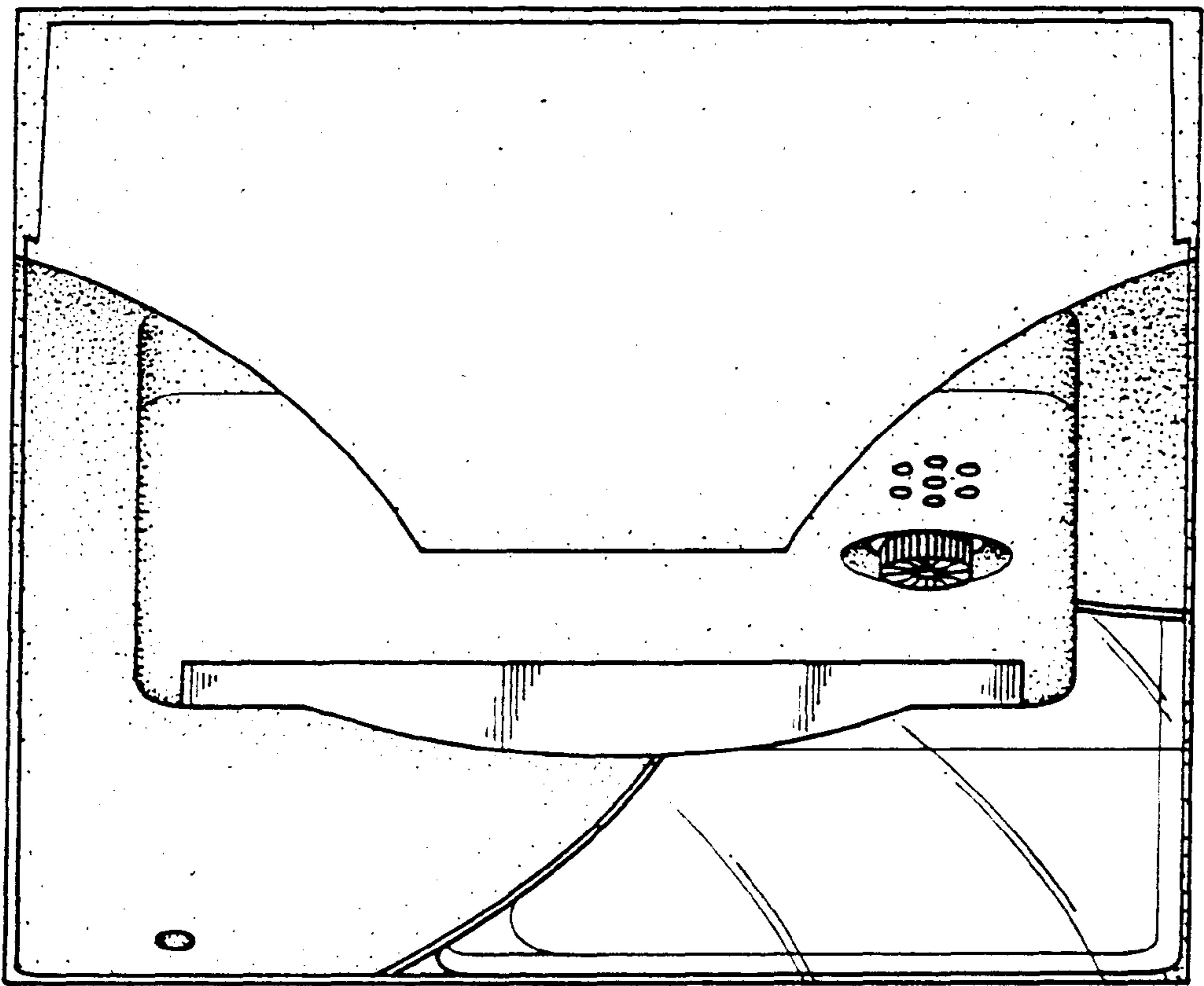


FIG. 5

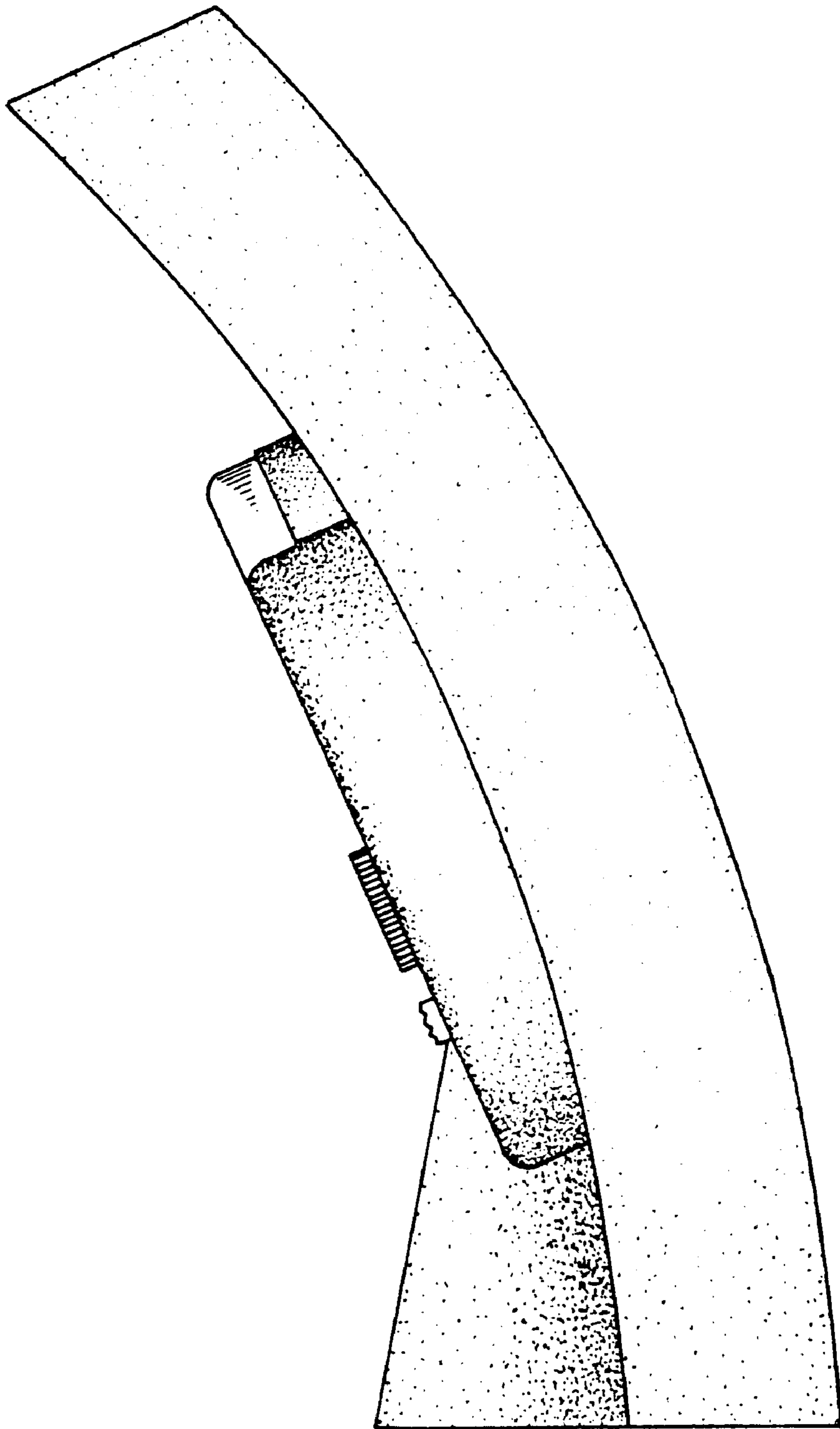


FIG. 6

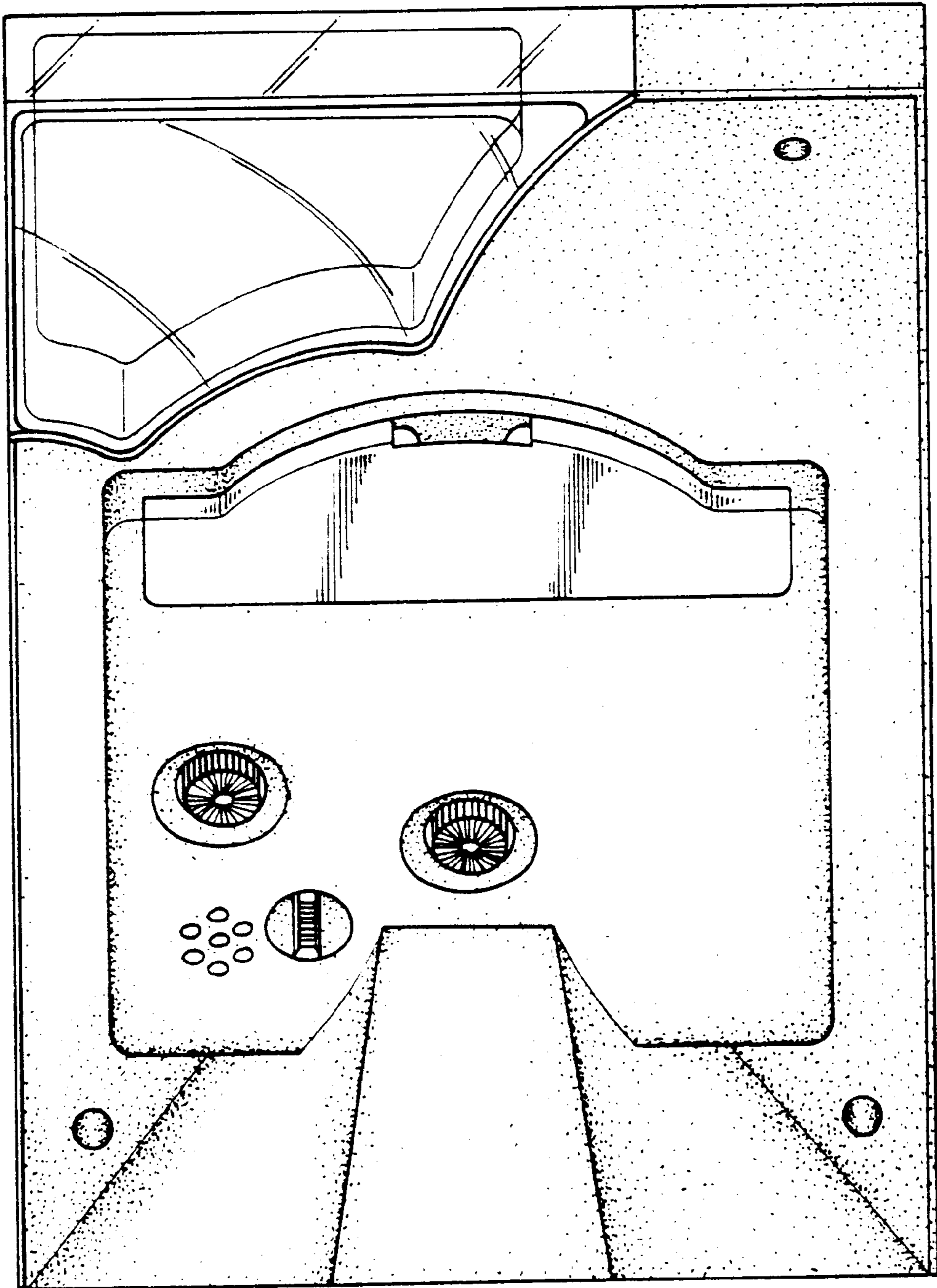


FIG. 7

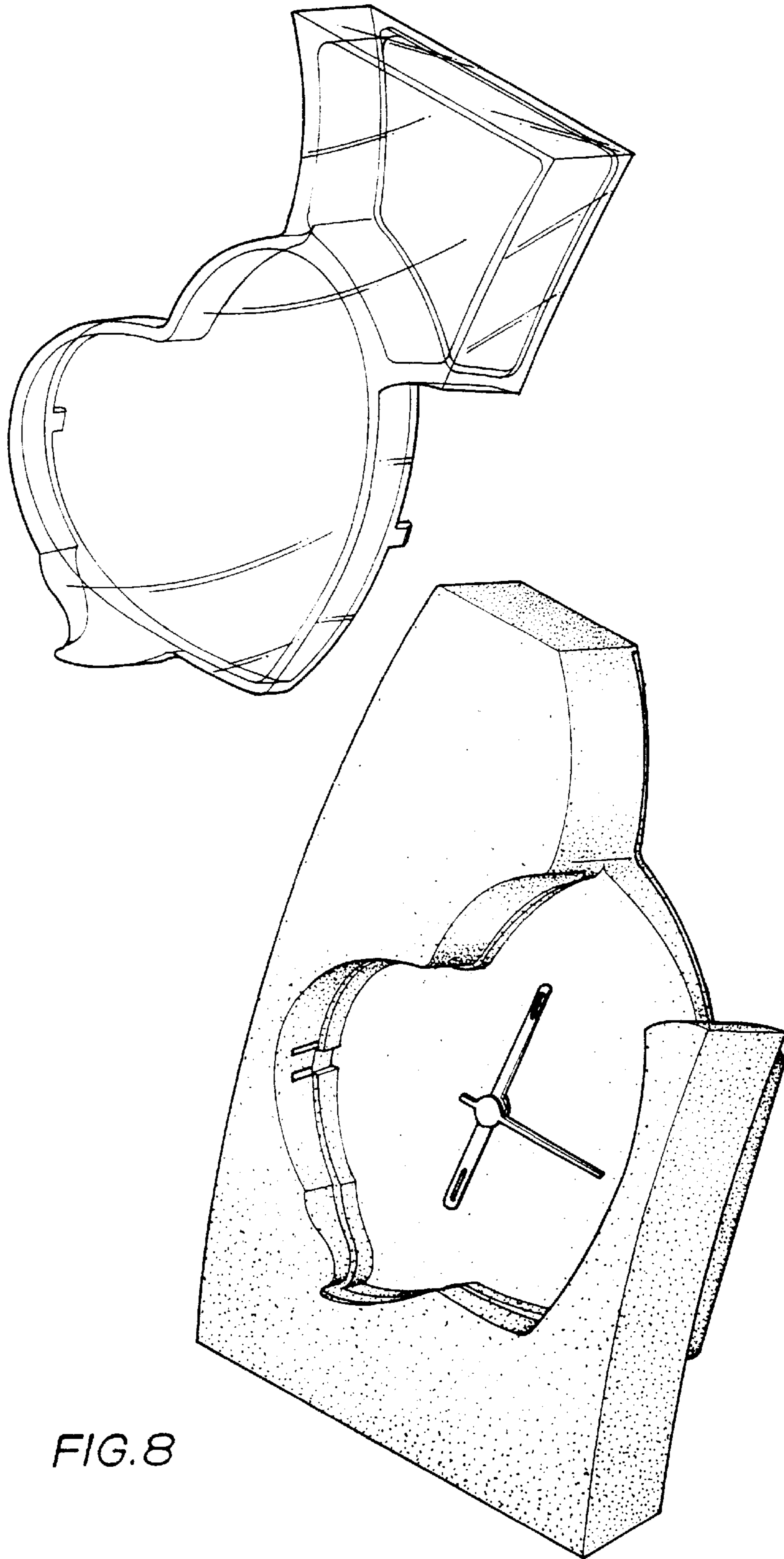


FIG. 8

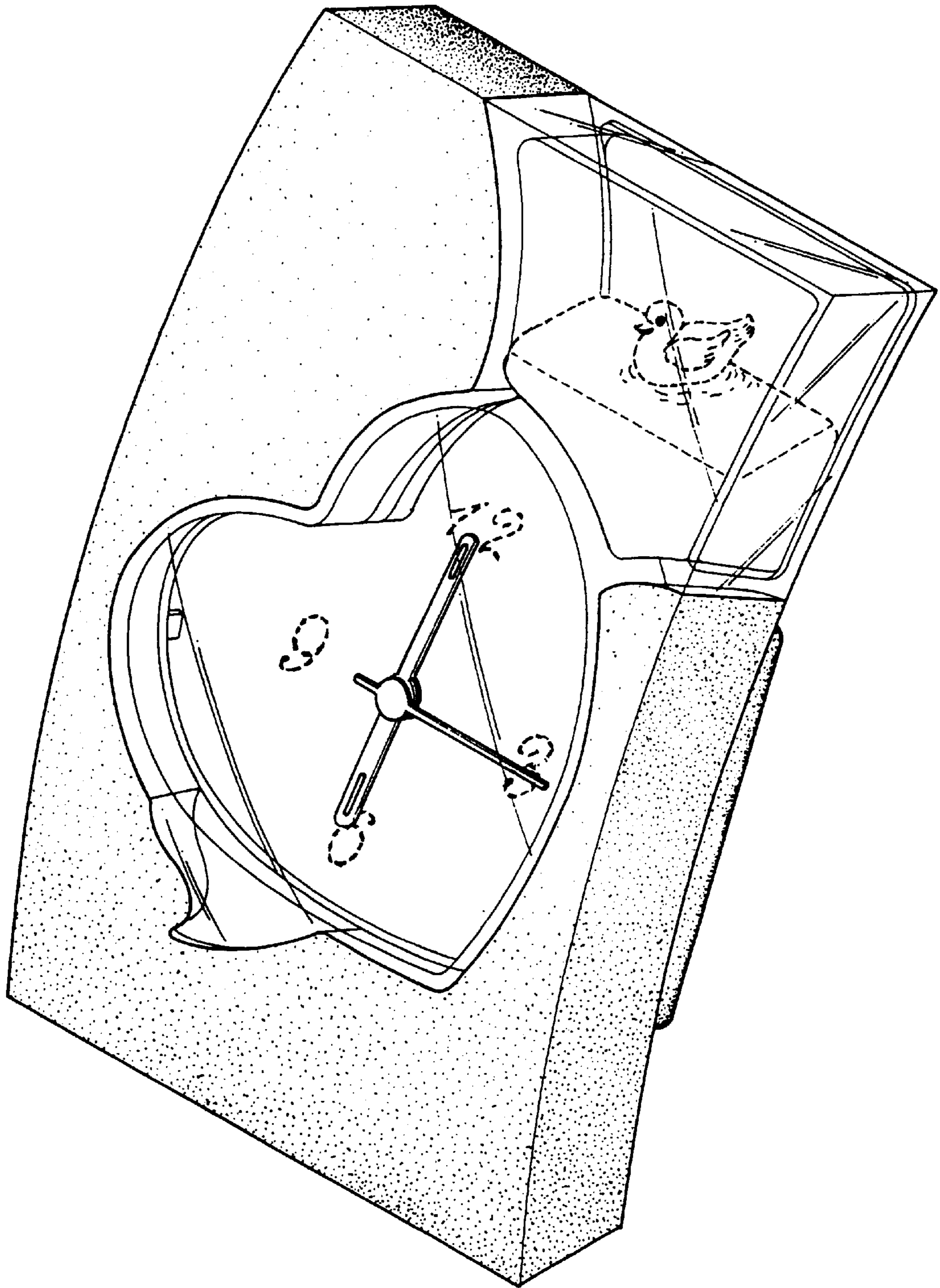


FIG. 9