



US00D455654S

(12) **United States Design Patent**
Gobe

(10) **Patent No.:** **US D455,654 S**

(45) **Date of Patent:** **** Apr. 16, 2002**

(54) **CAP**

D276,700 S * 12/1984 Brwon et al. D9/445
D447,949 S * 9/2001 Richardson D9/435

(75) Inventor: **Marc Gobe**, New York, NY (US)

* cited by examiner

(73) Assignee: **Intimate Beauty Corporation**, New York, NY (US)

Primary Examiner—Dominic Simone
(74) *Attorney, Agent, or Firm*—Colucci & Umans; Peter C. Michalos; Angelo Notaro

(**) Term: **14 Years**

(21) Appl. No.: **29/141,179**

(57) **CLAIM**

(22) Filed: **May 1, 2001**

The ornamental design for a cap, as shown and described.

(51) **LOC (7) Cl.** **09-07**

DESCRIPTION

(52) **U.S. Cl.** **D9/445**

(58) **Field of Search** D9/434, 435, 445;
220/796, 799; 222/182

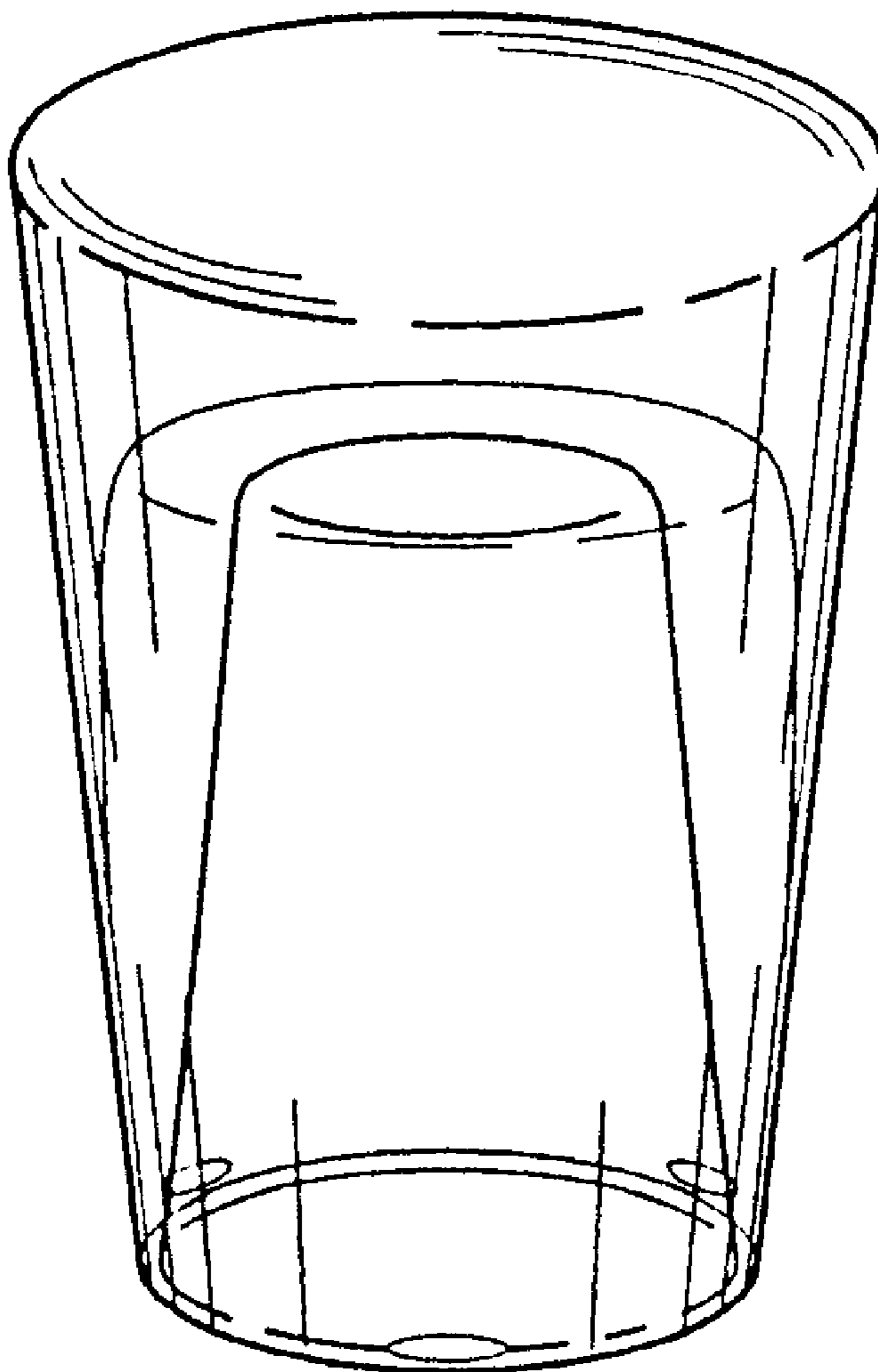
FIG. 1 is a perspective view of my new design;
FIG. 2 is a front view thereof, the other sides being the same;
FIG. 3 is a top plan view thereof; and,
FIG. 4 is a bottom plan view thereof.

(56) **References Cited**

U.S. PATENT DOCUMENTS

4,170,316 A * 10/1979 LaBarbera 220/799

1 Claim, 1 Drawing Sheet



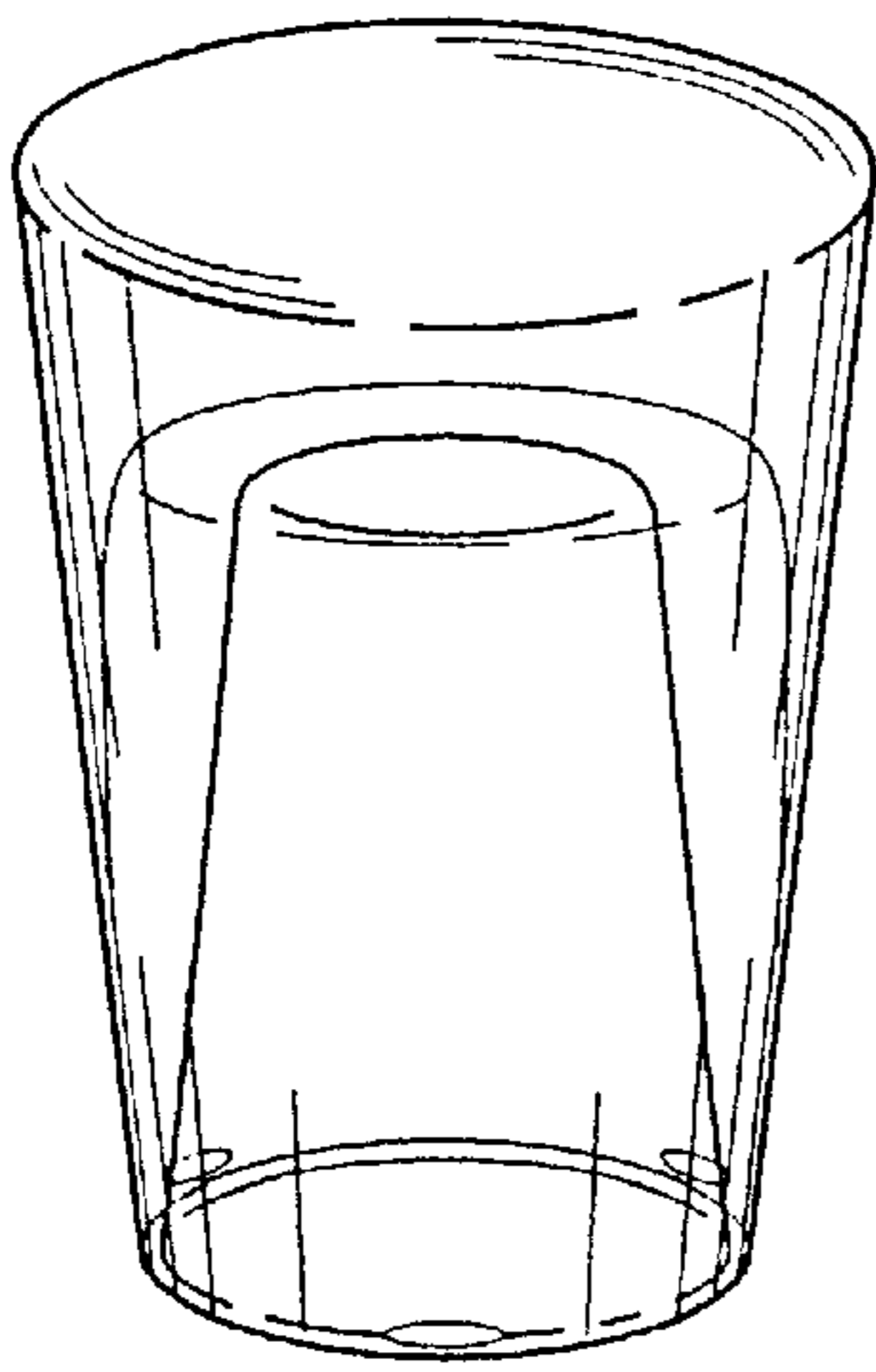


FIG. 1

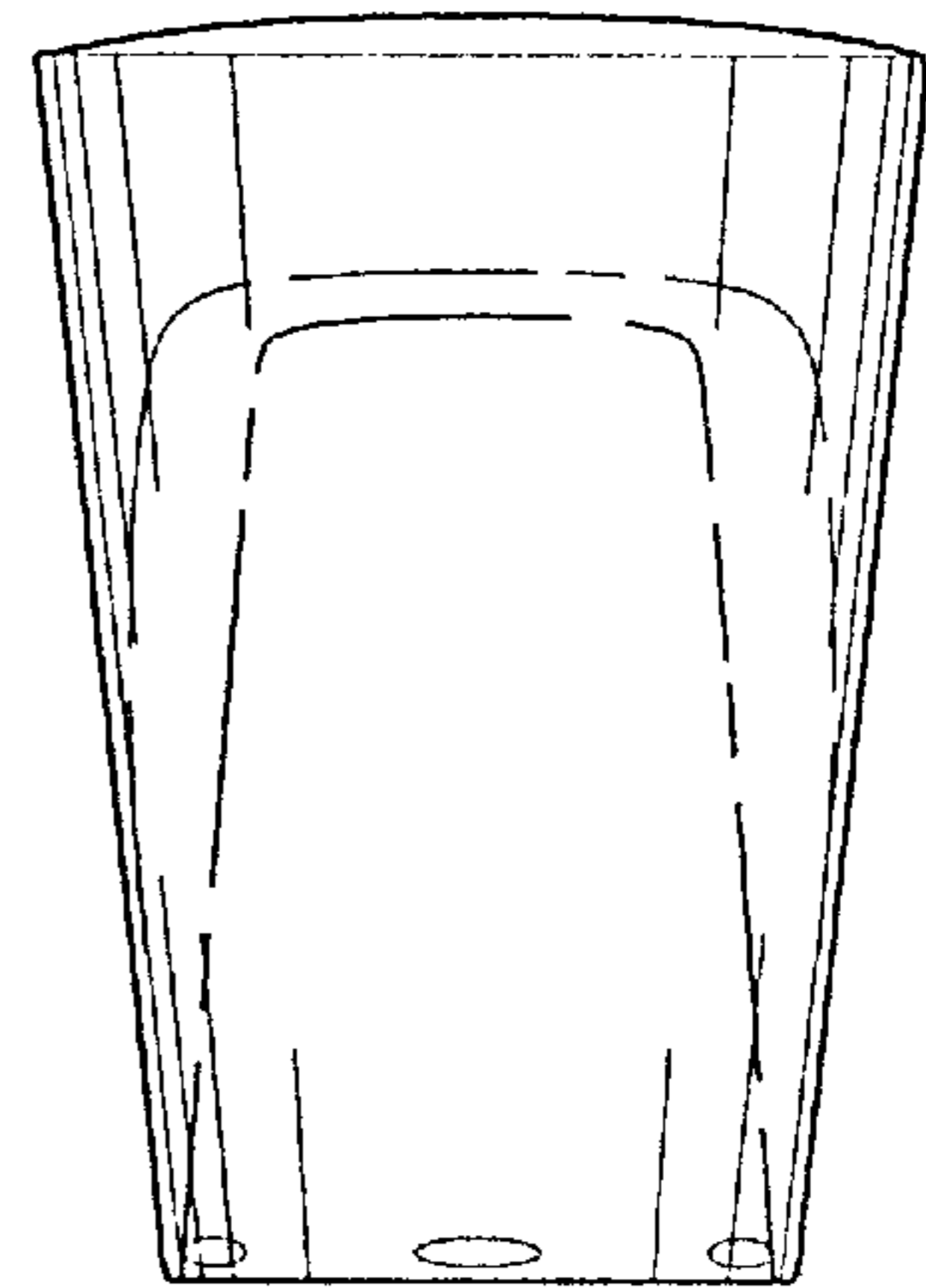


FIG. 2

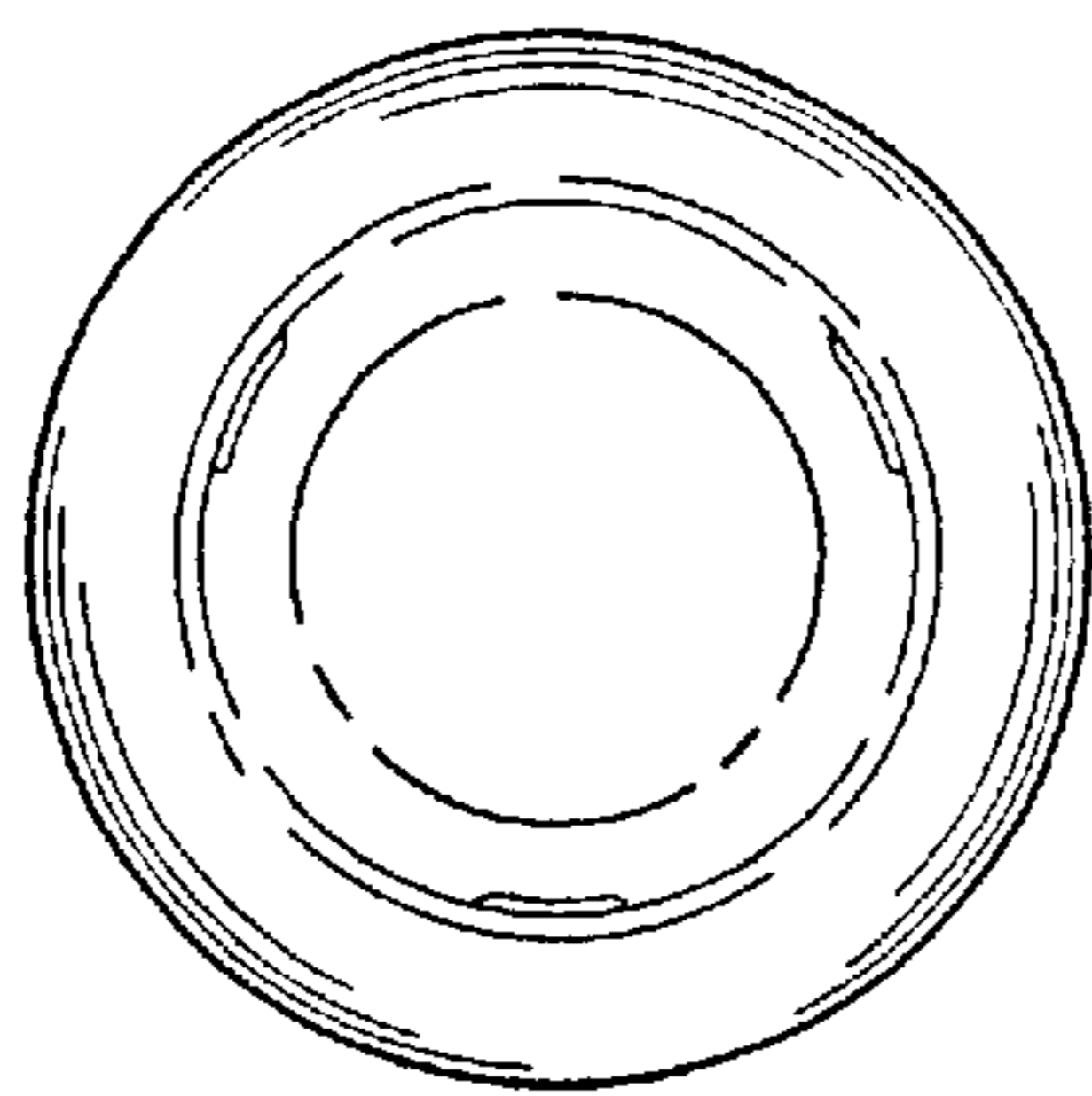


FIG. 3

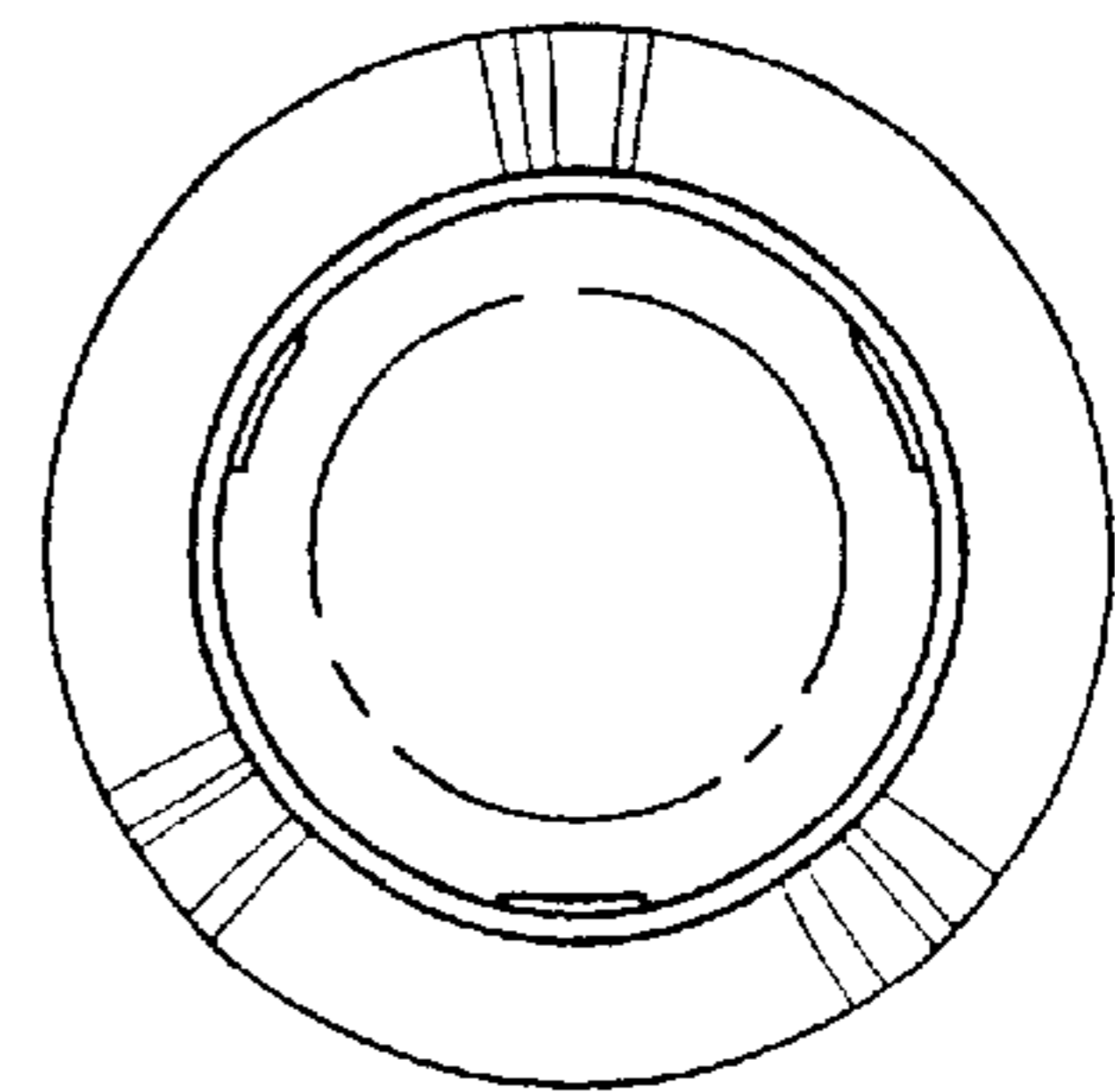


FIG. 4