



US00D455652S

(12) **United States Design Patent**
Wyslotsky et al.

(10) **Patent No.:** **US D455,652 S**

(45) **Date of Patent:** **** Apr. 16, 2002**

(54) **PACKAGE**

(75) Inventors: **Ihor Wyslotsky; Roman Forowycz,**
both of Chicago; **John Repp,**
Naperville; **George Golota,** Glenview;
Bohdan Wyslotsky, Carpentersville, all
of IL (US)

(73) Assignee: **FreshTec Packaging, Inc.,** Chicago, IL
(US)

(**) Term: **14 Years**

(21) Appl. No.: **29/140,263**

(22) Filed: **Apr. 13, 2001**

(51) **LOC (7) Cl.** **09-03**

(52) **U.S. Cl.** **D9/429**

(58) **Field of Search** D9/428, 429, 424,
D9/425, 418, 414; D7/619, 629; 229/400-406,
932, 906.1; 220/656-659, 669-675, 912,
4.21-4.27; 206/553, 557, 541, 775, 776

(56) **References Cited**

U.S. PATENT DOCUMENTS

1,672,884 A * 6/1928 Gingras 229/932

1,794,238 A * 2/1931 McKibben 229/932
D219,958 S * 2/1971 Clark D9/428
4,494,650 A * 1/1985 Cullen 206/553
D311,330 S * 10/1990 Hammura D9/428
4,972,955 A * 11/1990 Rymoan 220/4.21
D322,402 S * 12/1991 Budzbanowki D9/428
D331,013 S * 11/1992 Hamamura D9/428
D361,714 S * 8/1995 Krupa D9/428

* cited by examiner

Primary Examiner—Prabhakar Deshmukh

(74) *Attorney, Agent, or Firm*—Olson & Hierl, Ltd.

(57) **CLAIM**

The ornamental design for a package, as shown and described.

DESCRIPTION

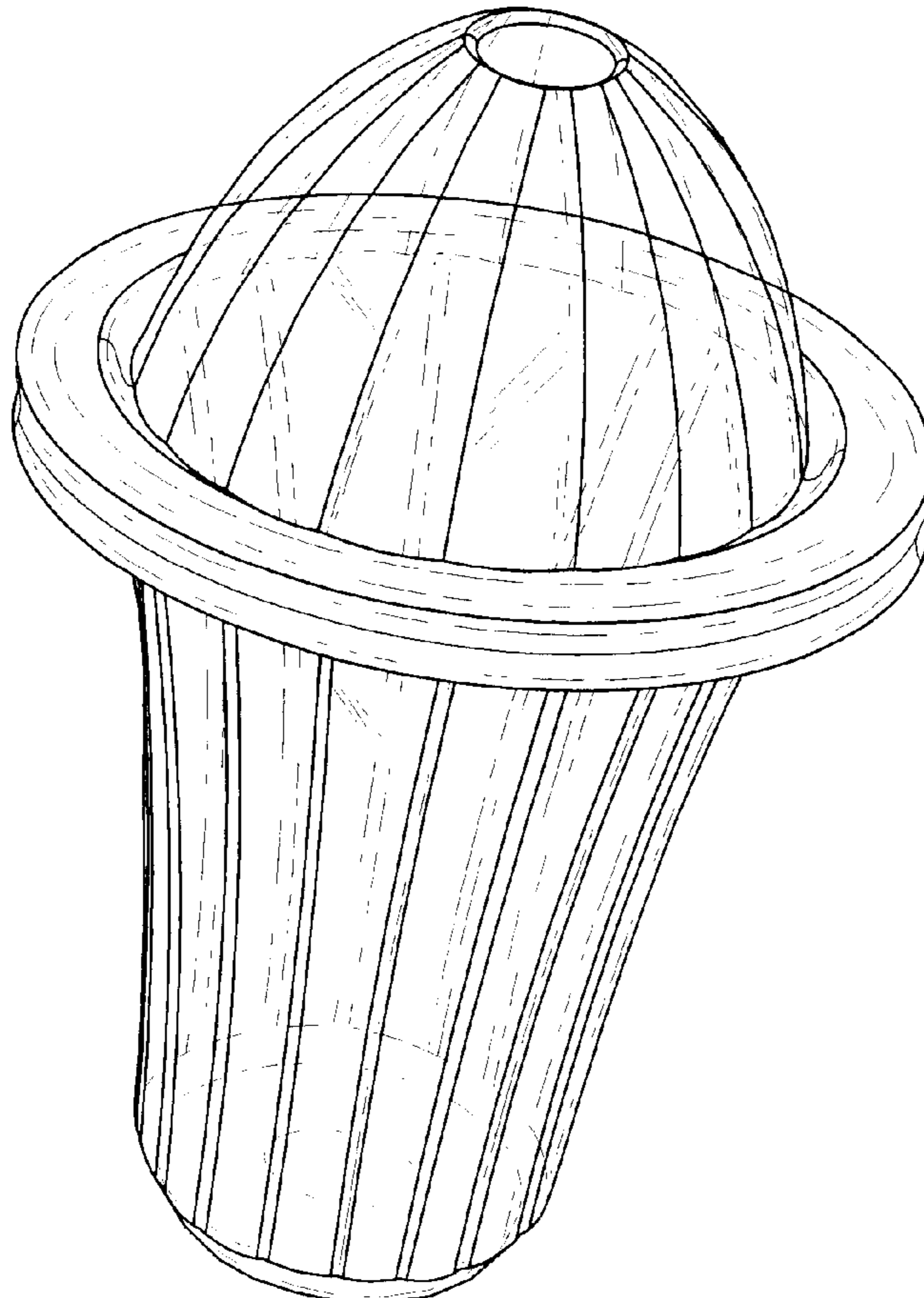
FIG. 1 is an isometric view the package of the present invention.

FIG. 2 is a top view of the package of the present invention.

FIG. 3 is a side view of the package of the present invention; and,

FIG. 4 is a bottom view of the package of the present invention.

1 Claim, 3 Drawing Sheets



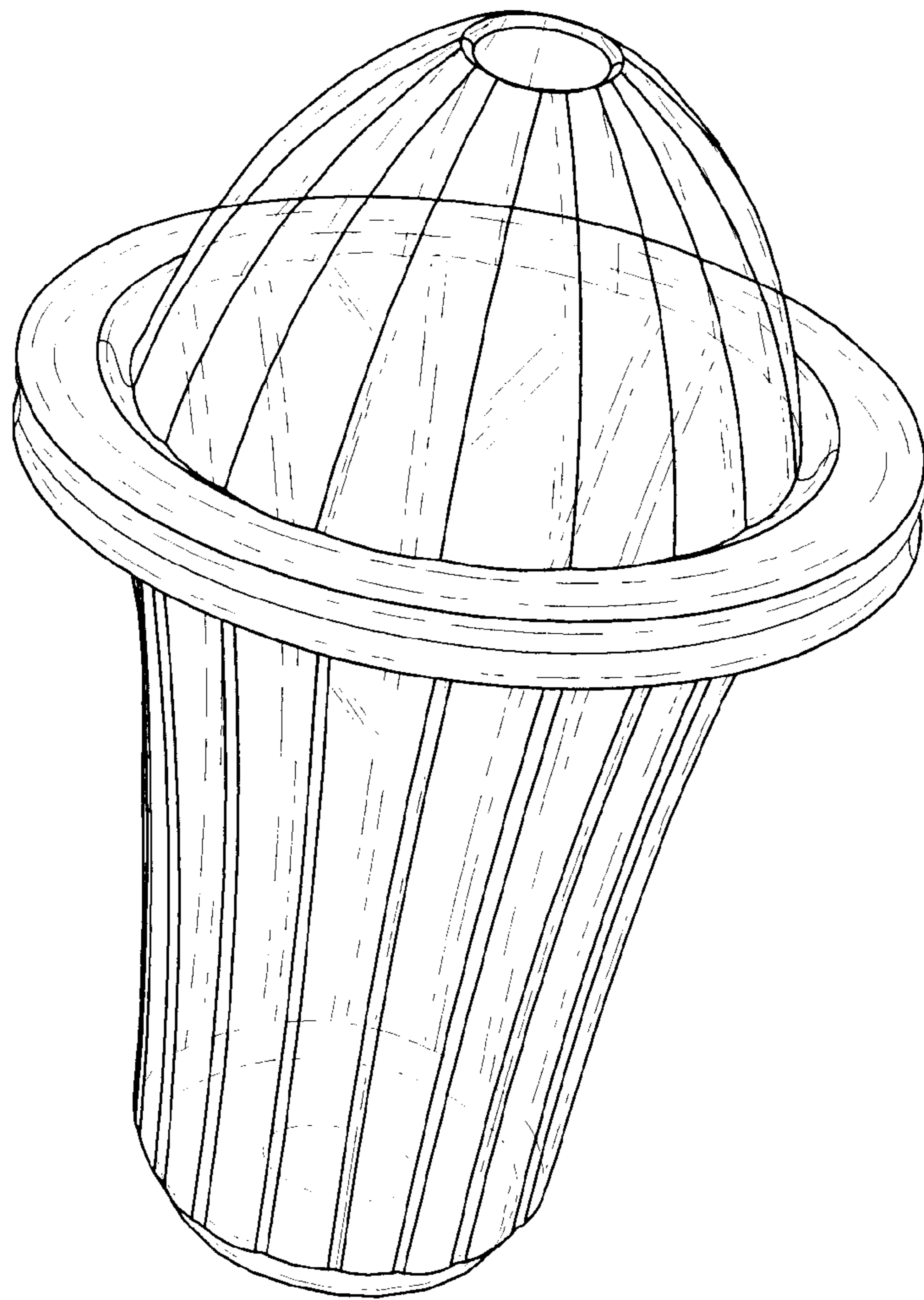


Fig. 1

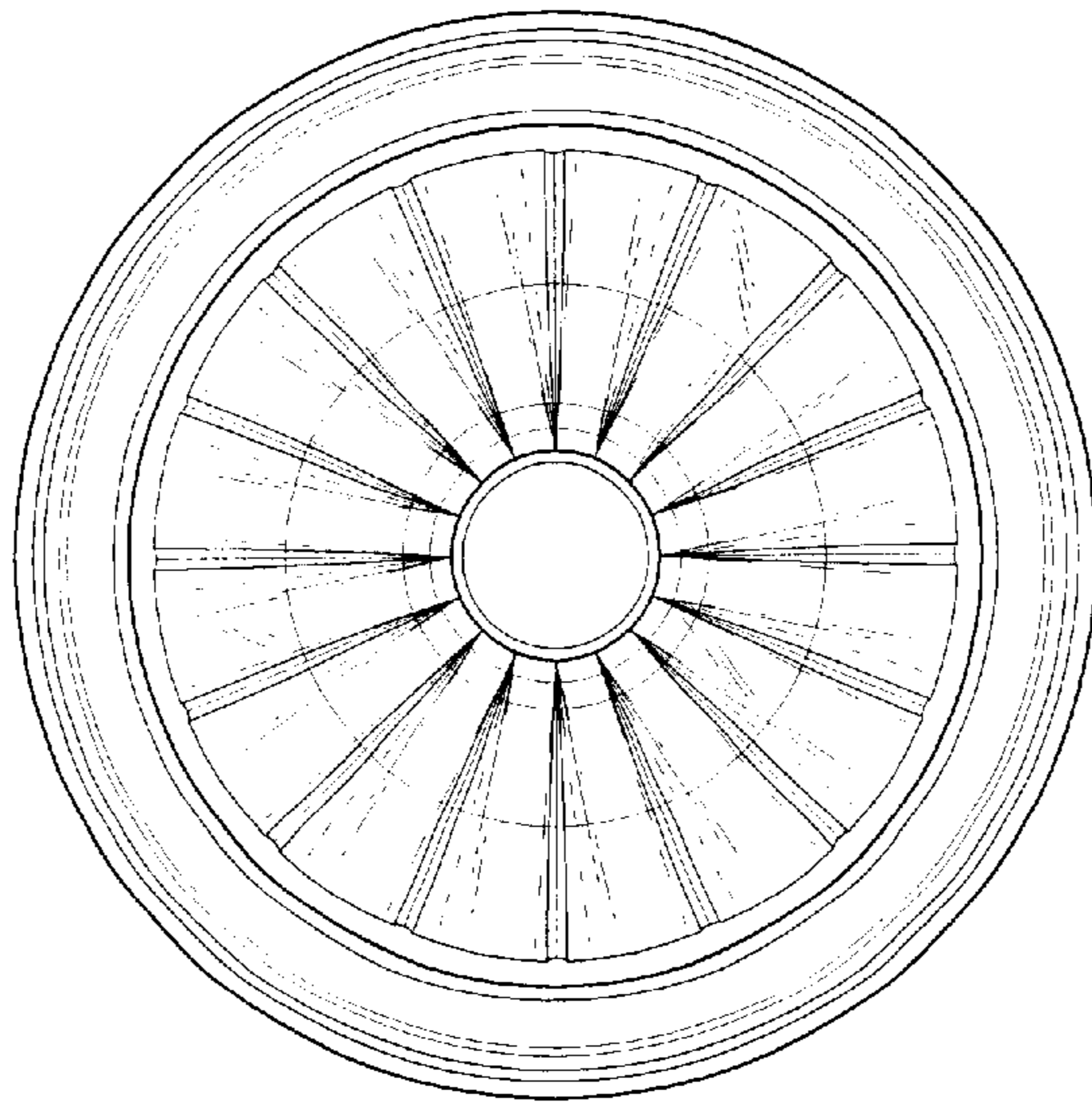


Fig. 2

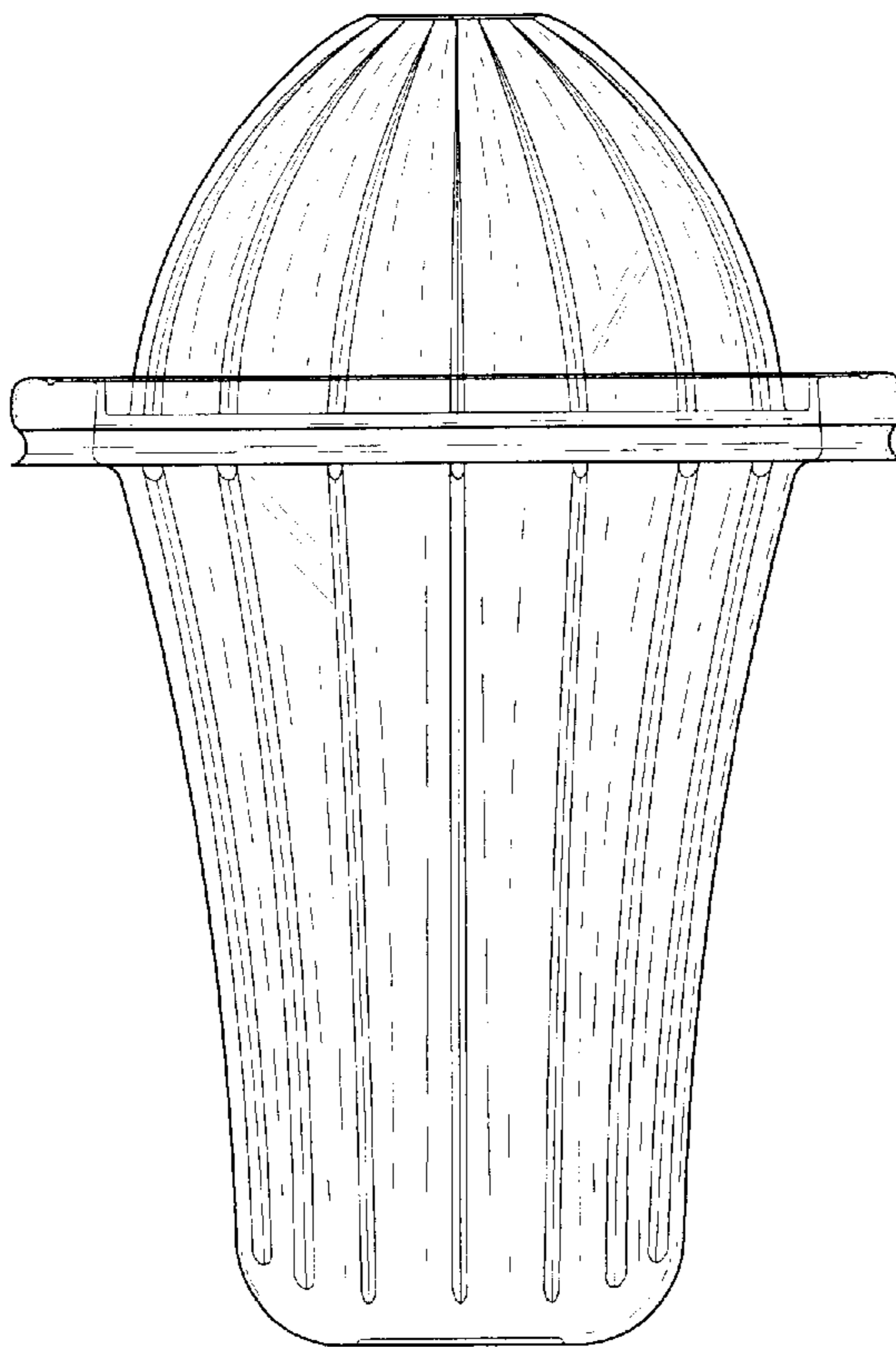


Fig. 3

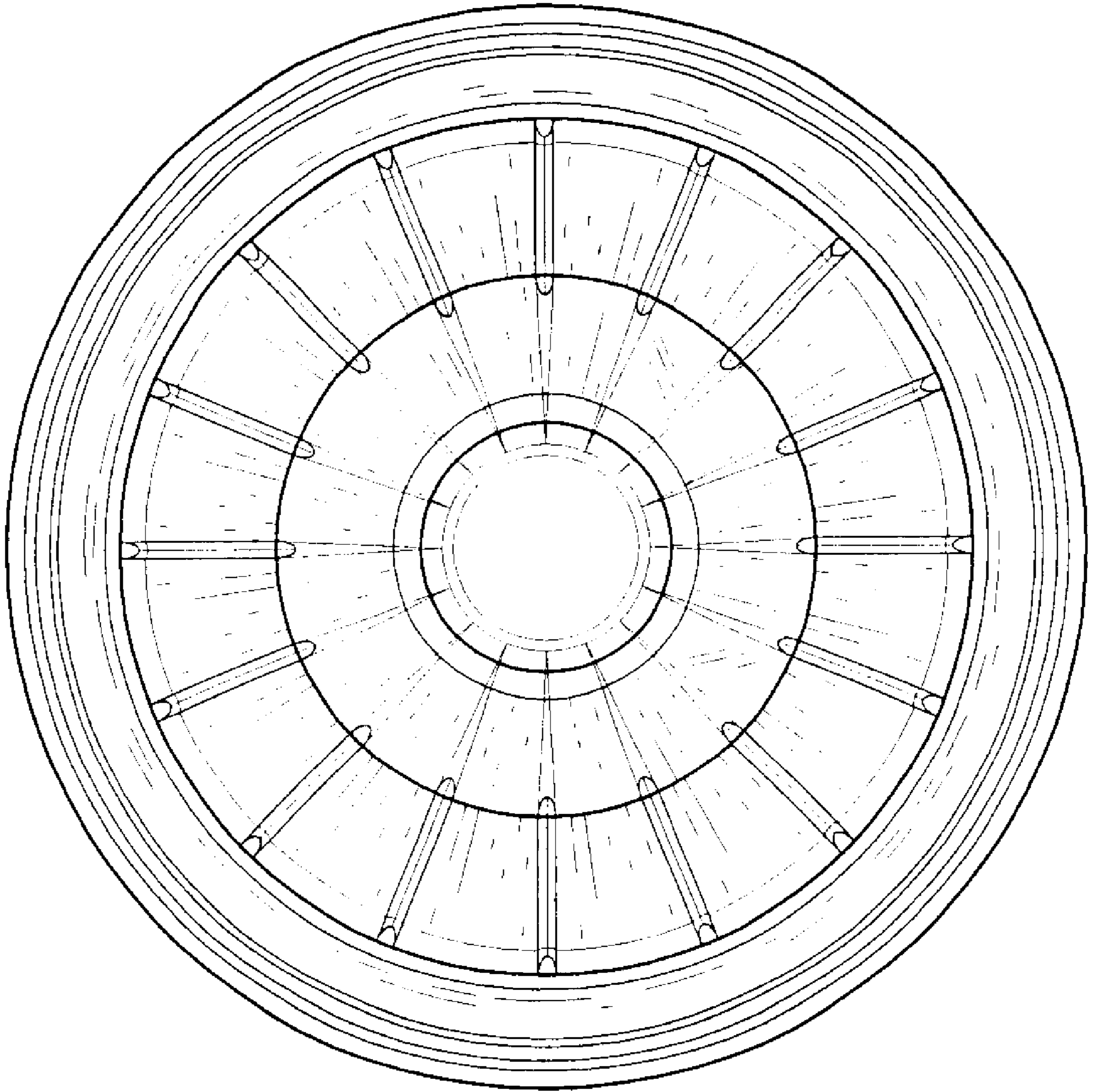


Fig. 4