



US00D455649S

(12) **United States Design Patent**
Humphrey

(10) **Patent No.:** **US D455,649 S**

(45) **Date of Patent:** **** Apr. 16, 2002**

(54) **TABLE LAMP DISPLAY PACKAGE**

D435,442 S * 12/2000 Candelin D9/415

D436,858 S * 1/2001 Humphrey D9/415

D440,488 S * 4/2001 Thompson et al. D9/415

(76) Inventor: **Neill Humphrey**, 5005 Hillsdale Cir.,
El Dorado Hills, CA (US) 95762

* cited by examiner

(**) Term: **14 Years**

Primary Examiner—Prabhakar Deshmukh

(21) Appl. No.: **29/130,581**

(57) **CLAIM**

(22) Filed: **Oct. 3, 2000**

The ornamental design for a table lamp display package, as shown and described.

(51) **LOC (7) Cl.** **09-03**

DESCRIPTION

(52) **U.S. Cl.** **D9/415**

(58) **Field of Search** D9/414, 415, 418,
D9/337, 457, 432; 206/756-765, 573, 321,
68, 775-780, 806, 527

FIG. 1 is a perspective view thereof;
FIG. 2 is a front elevational view thereof;
FIG. 3 is a right side view, the left side being a mirror image;
FIG. 4 is a back plan view thereof;
FIG. 5 is a top plan view thereof; and,
FIG. 6 is a bottom plan view thereof.

(56) **References Cited**

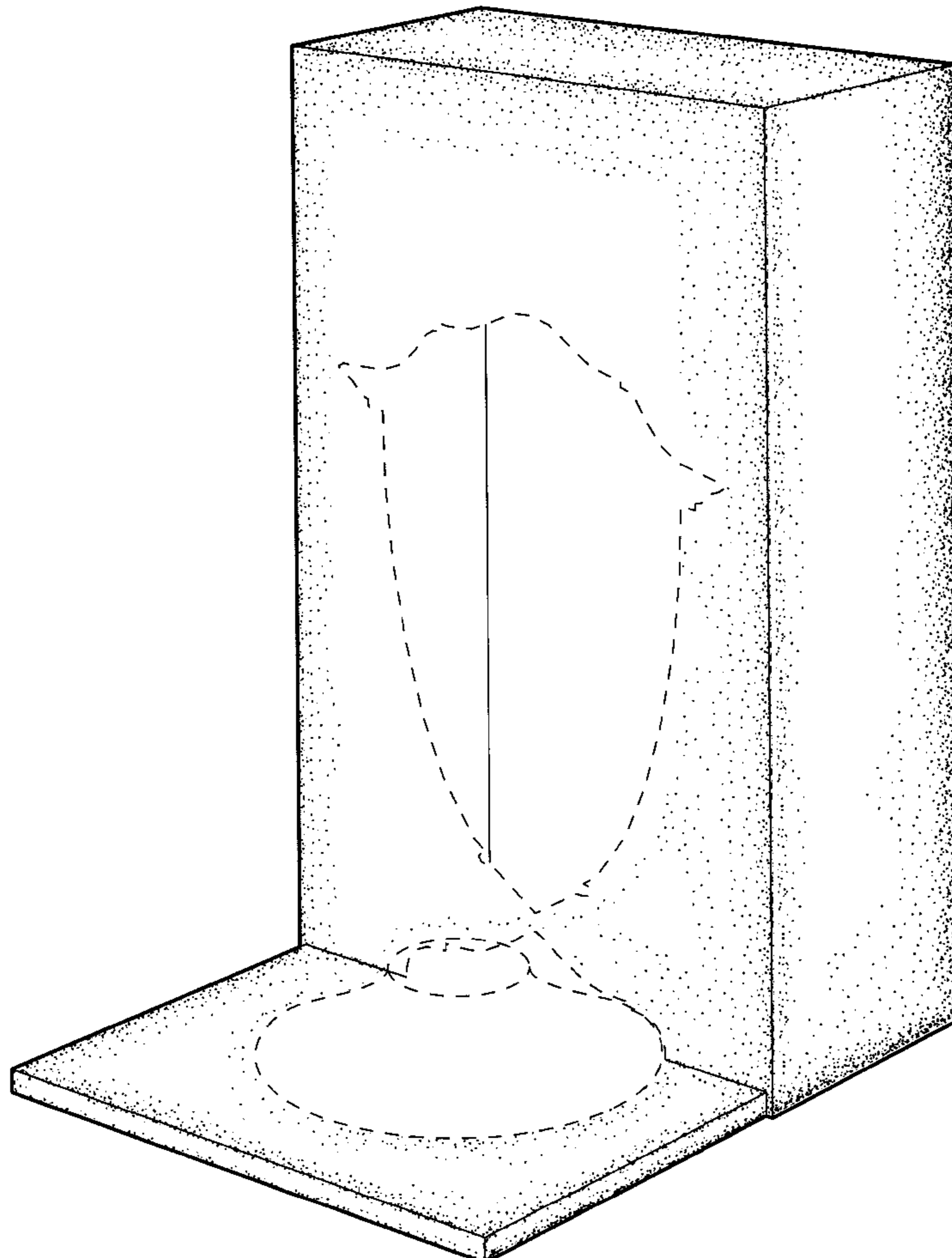
U.S. PATENT DOCUMENTS

- 2,250,710 A * 7/1941 Hutt 206/573
- 2,445,280 A * 7/1948 Powell 206/765
- 3,884,560 A * 5/1975 Neylan et al. 206/573
- 4,787,017 A * 11/1988 Vrettos 206/573
- 5,413,223 A * 5/1995 Kang 206/573

The broken lines shown in the drawing are environmental only and form no part of the claimed design.

The broken line/s which define the bounds of the claimed design from no part thereof.

1 Claim, 6 Drawing Sheets



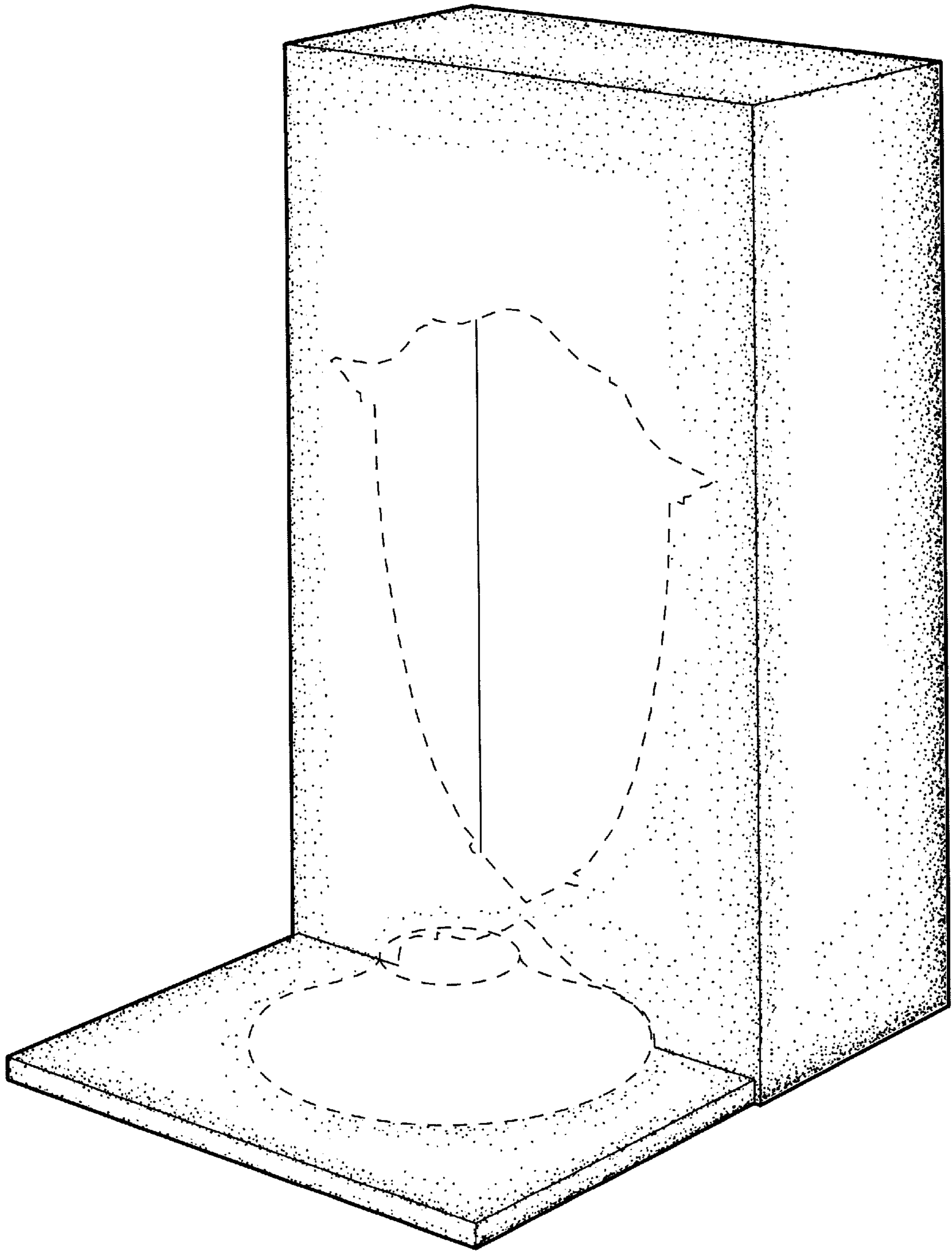


FIG. 1

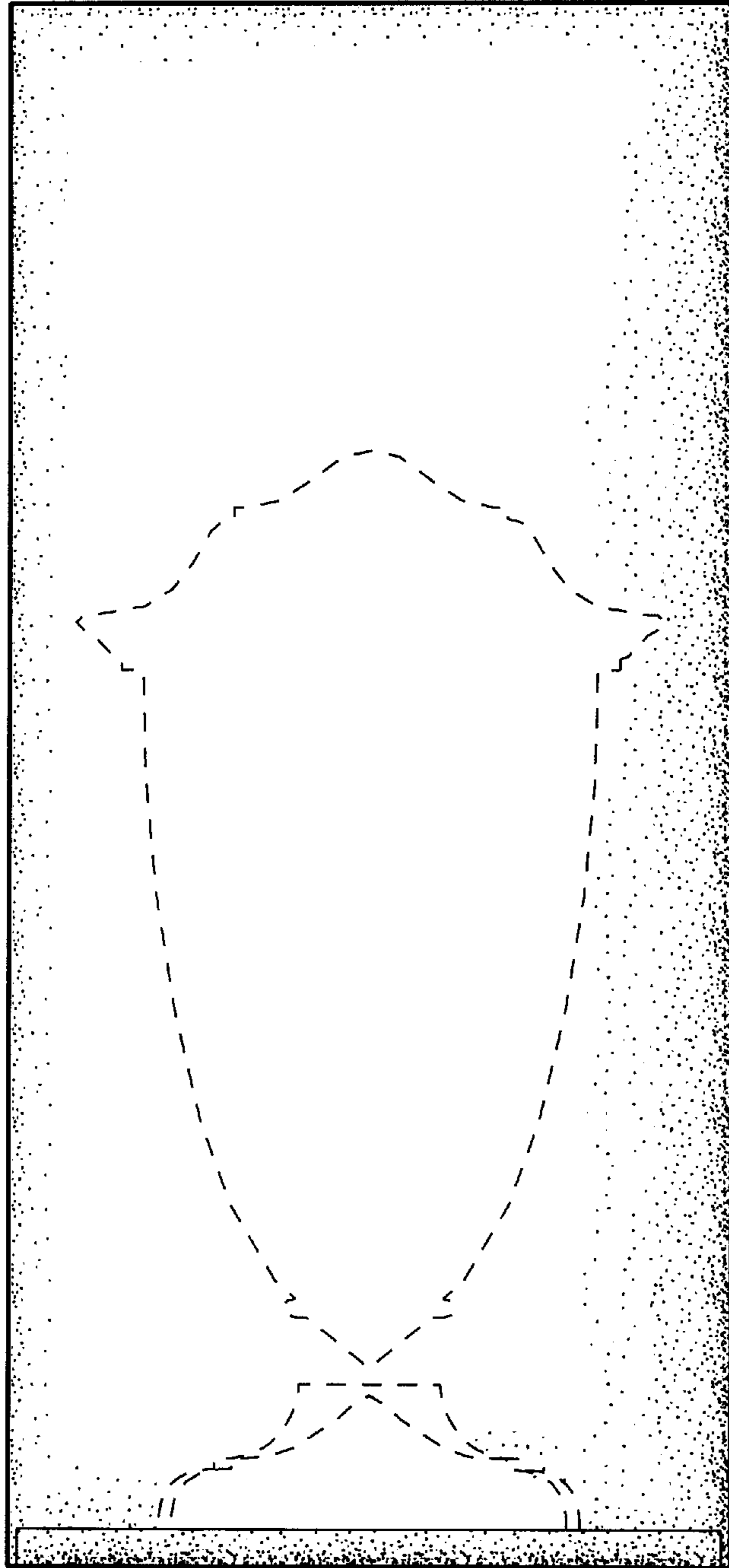


FIG. 2

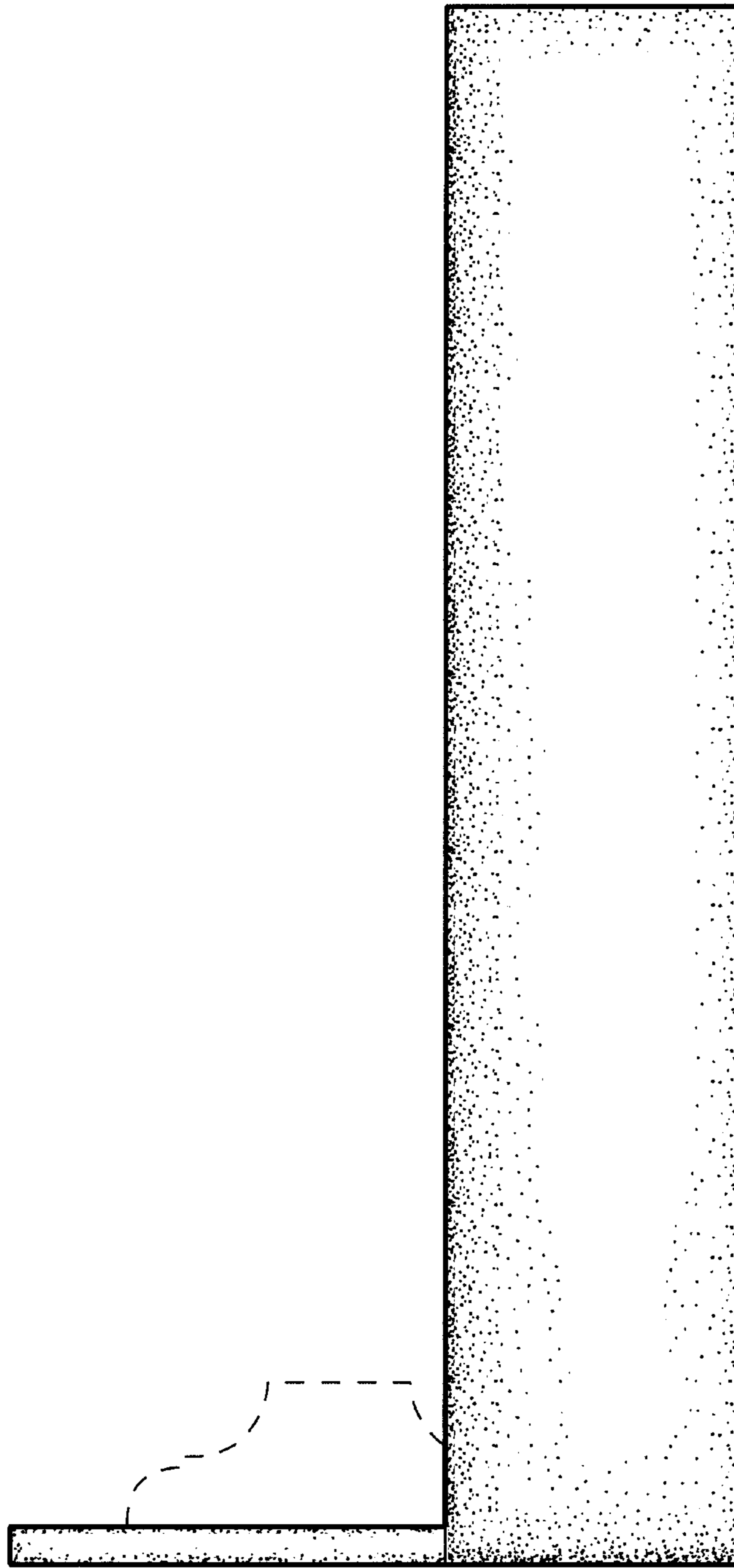


FIG. 3

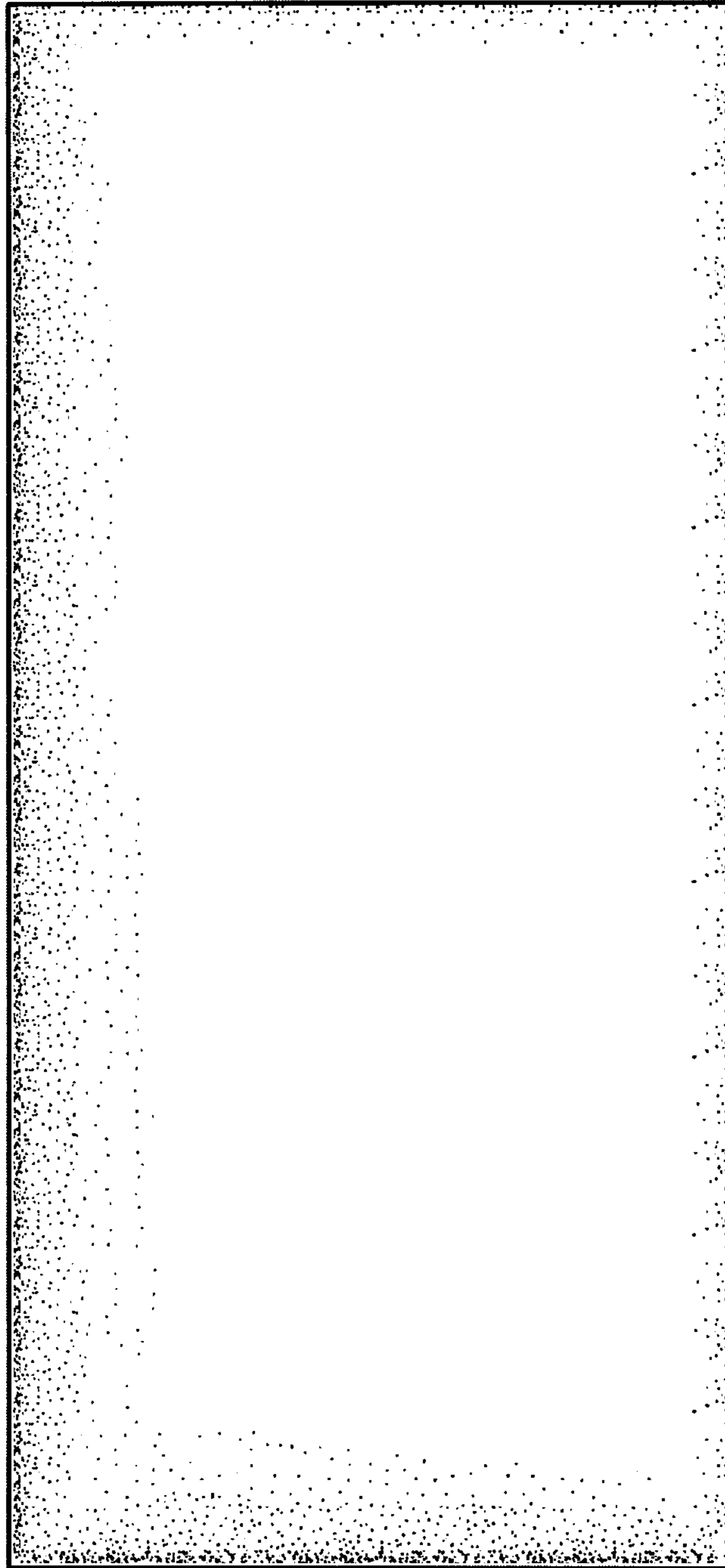


FIG. 4

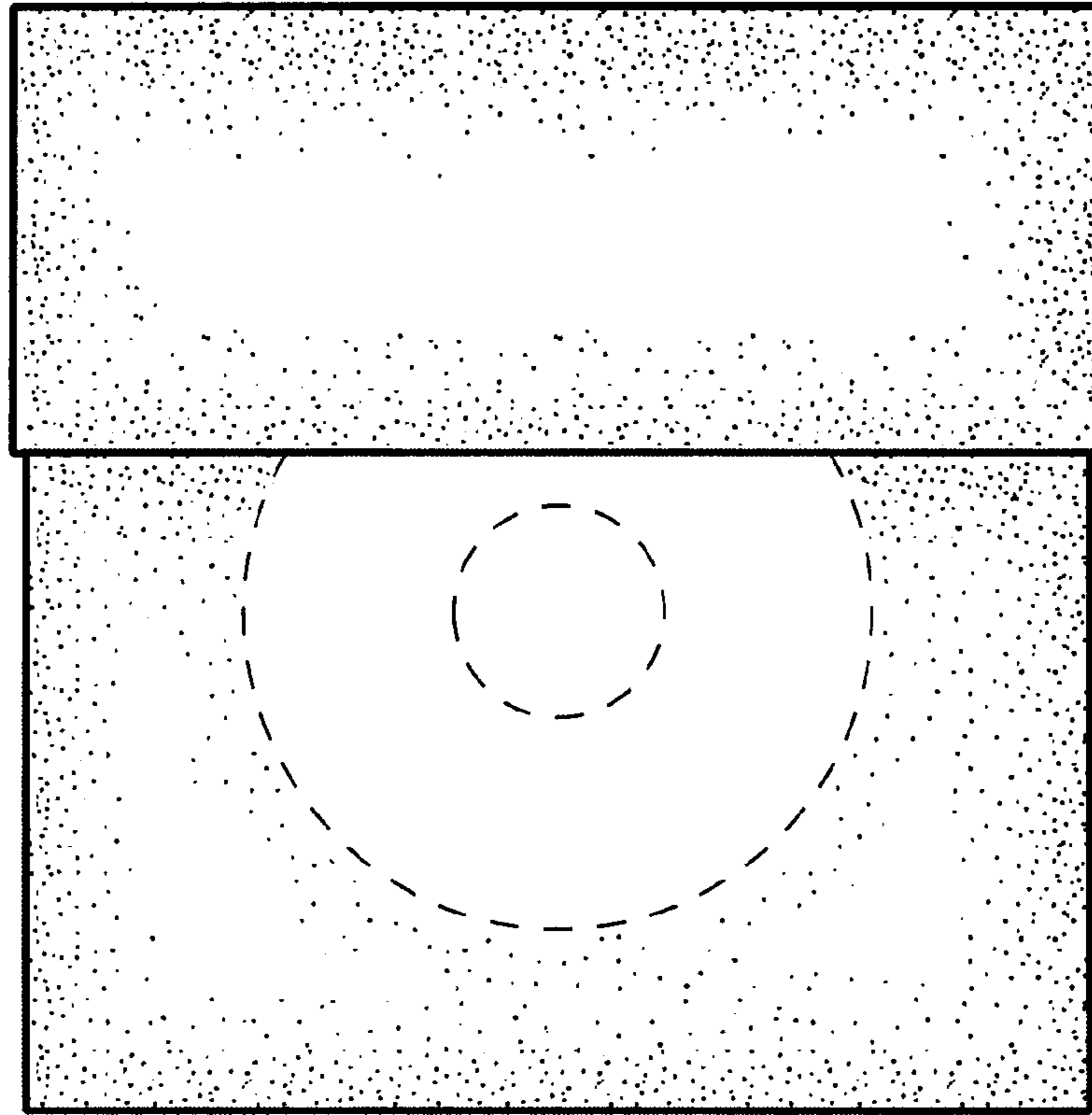


FIG. 5

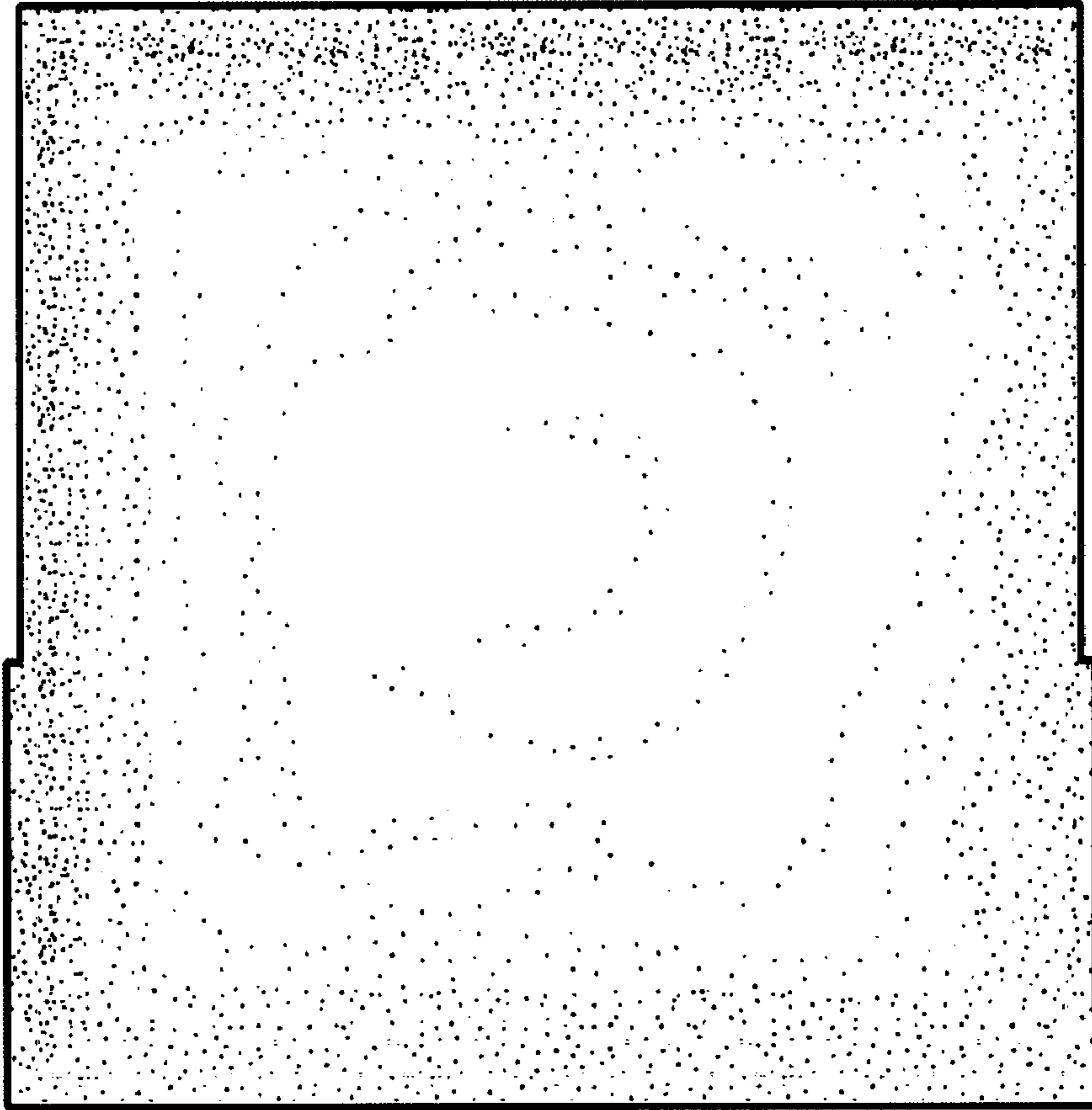


FIG. 6