



US00D455647S

(12) **United States Design Patent**
Cummings

(10) **Patent No.:** **US D455,647 S**

(45) **Date of Patent:** **** Apr. 16, 2002**

(54) **DISPENSER**

(75) Inventor: **Bruce Cummings**, New York, NY (US)

(73) Assignee: **Colgate Palmolive Company**, New York, NY (US)

(**) Term: **14 Years**

(21) Appl. No.: **29/134,420**

(22) Filed: **Dec. 21, 2000**

(51) **LOC (7) Cl.** **09-01**

(52) **U.S. Cl.** **D9/338**

(58) **Field of Search** D9/337, 338, 516,
D9/520, 549, 574, 542, 557, 570, 528,
530; D19/48, 66, 70, 71; D28/7; 206/204,
229, 581, 823; 220/796; 222/173, 212-213,
215; 401/49, 55, 68, 75, 82

(56) **References Cited**

U.S. PATENT DOCUMENTS

- D143,044 S * 11/1945 Steelman D58/8
- D213,544 S * 3/1969 Koenigsberg D9/155
- D262,265 S * 12/1981 Hadtke et al. D9/339

- D365,761 S * 1/1996 Abfier et al. D9/542
- D379,927 S * 6/1997 Crawford D9/338
- D414,689 S * 10/1999 Ruello D9/338
- D422,506 S * 4/2000 Cummings D9/542
- D427,059 S * 6/2000 Gebb D9/338
- D438,118 S * 2/2001 Dalmau D9/520

* cited by examiner

Primary Examiner—James Gandy

Assistant Examiner—Daniel Bui

(74) *Attorney, Agent, or Firm*—Michael J. McGreal

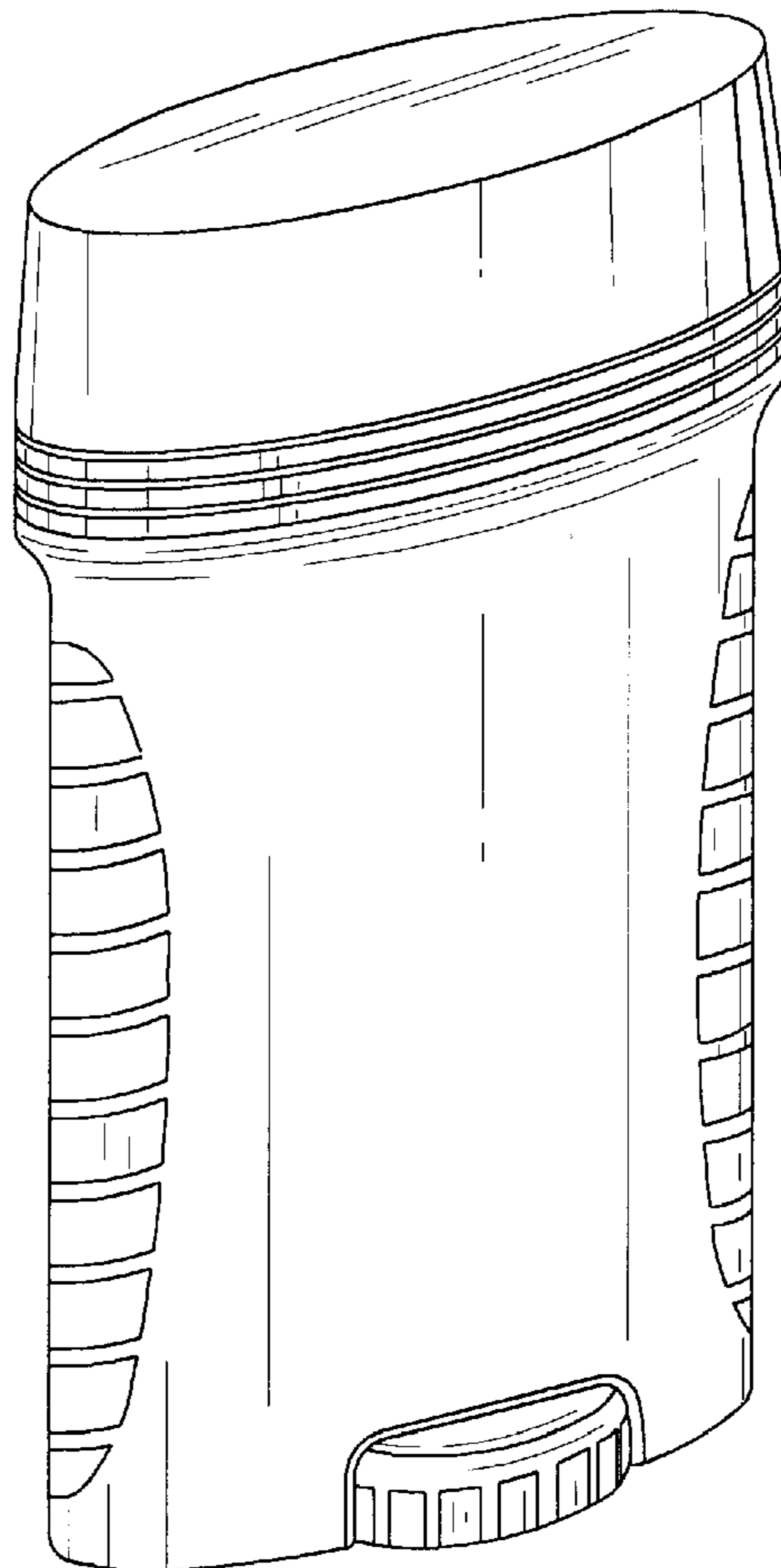
(57) **CLAIM**

The ornamental design for a dispenser, as shown and described.

DESCRIPTION

FIG. 1 is a perspective view of the dispenser of my design. FIG. 2 is a right side elevation view thereof, the left side being a mirror image thereof. FIG. 3 is a front elevation view thereof, the rear elevation view being a mirror image thereof. FIG. 4 is a top plan view thereof; and, FIG. 5 is a bottom plan view thereof.

1 Claim, 2 Drawing Sheets



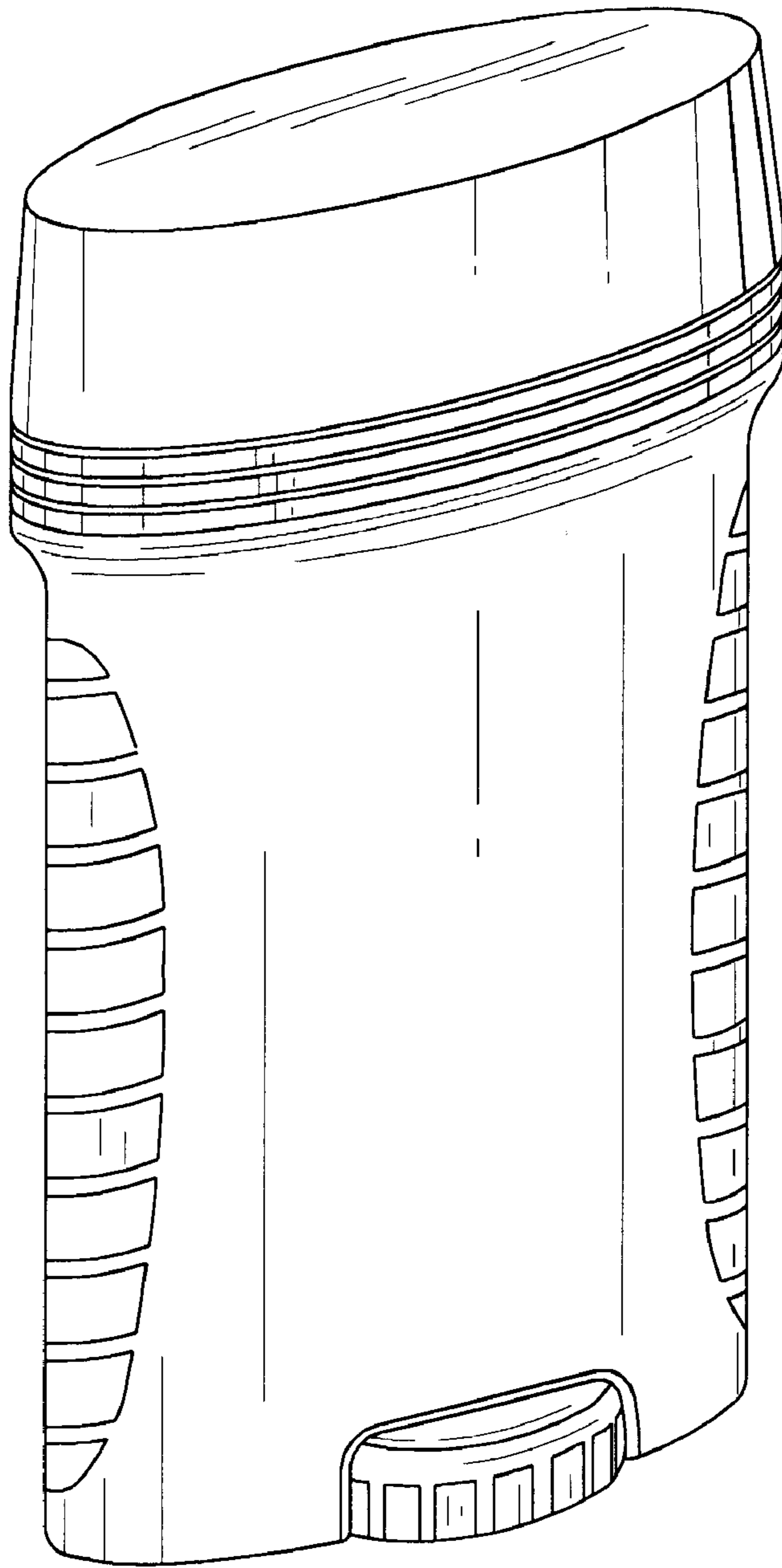


FIG. 1

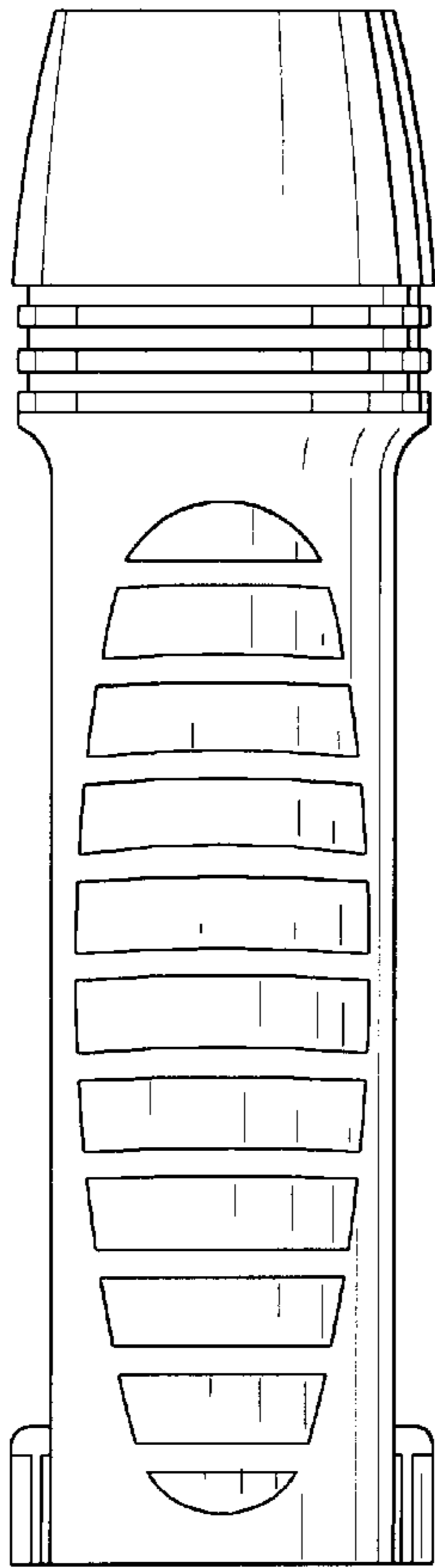


FIG. 2

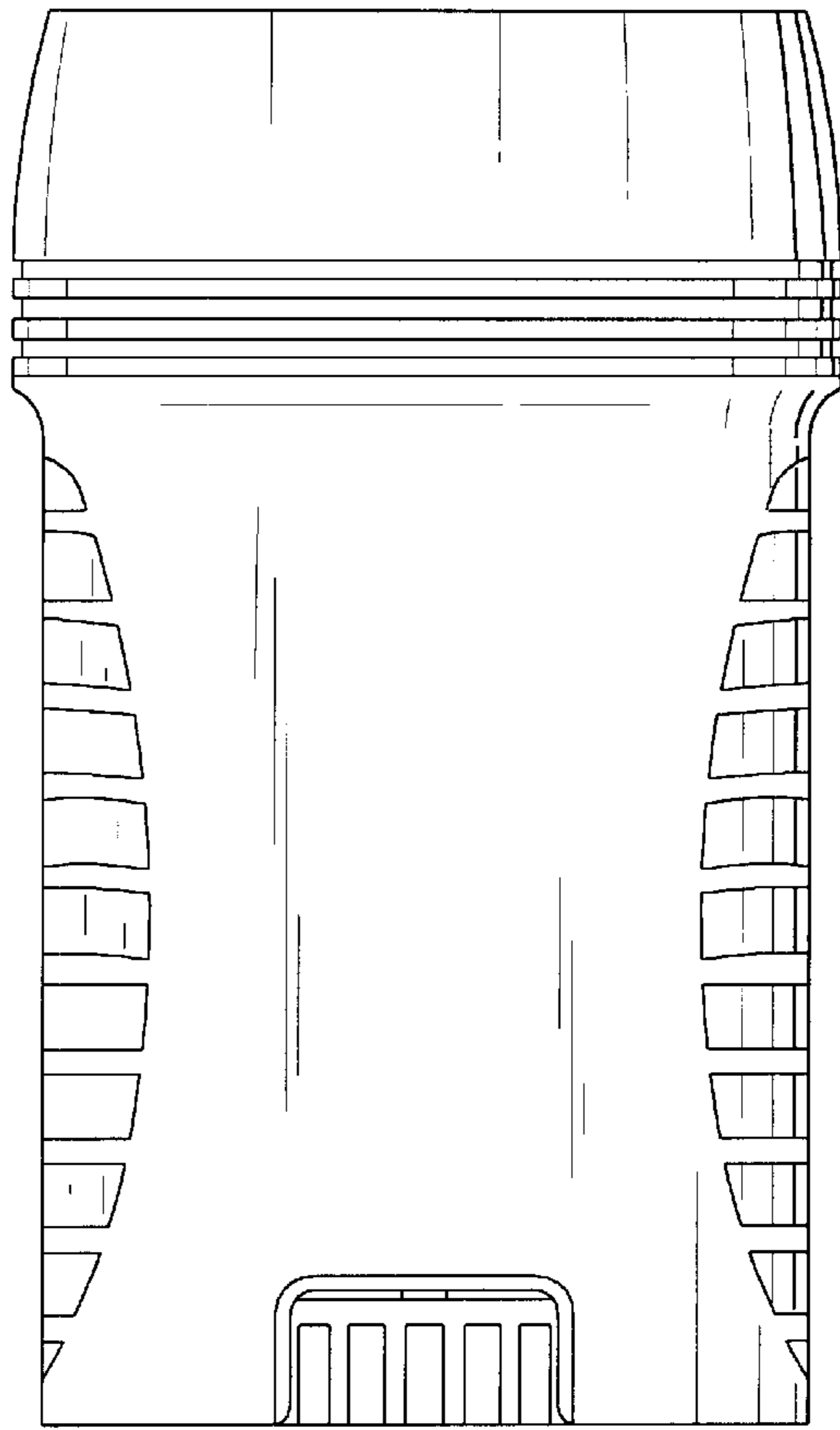


FIG. 3

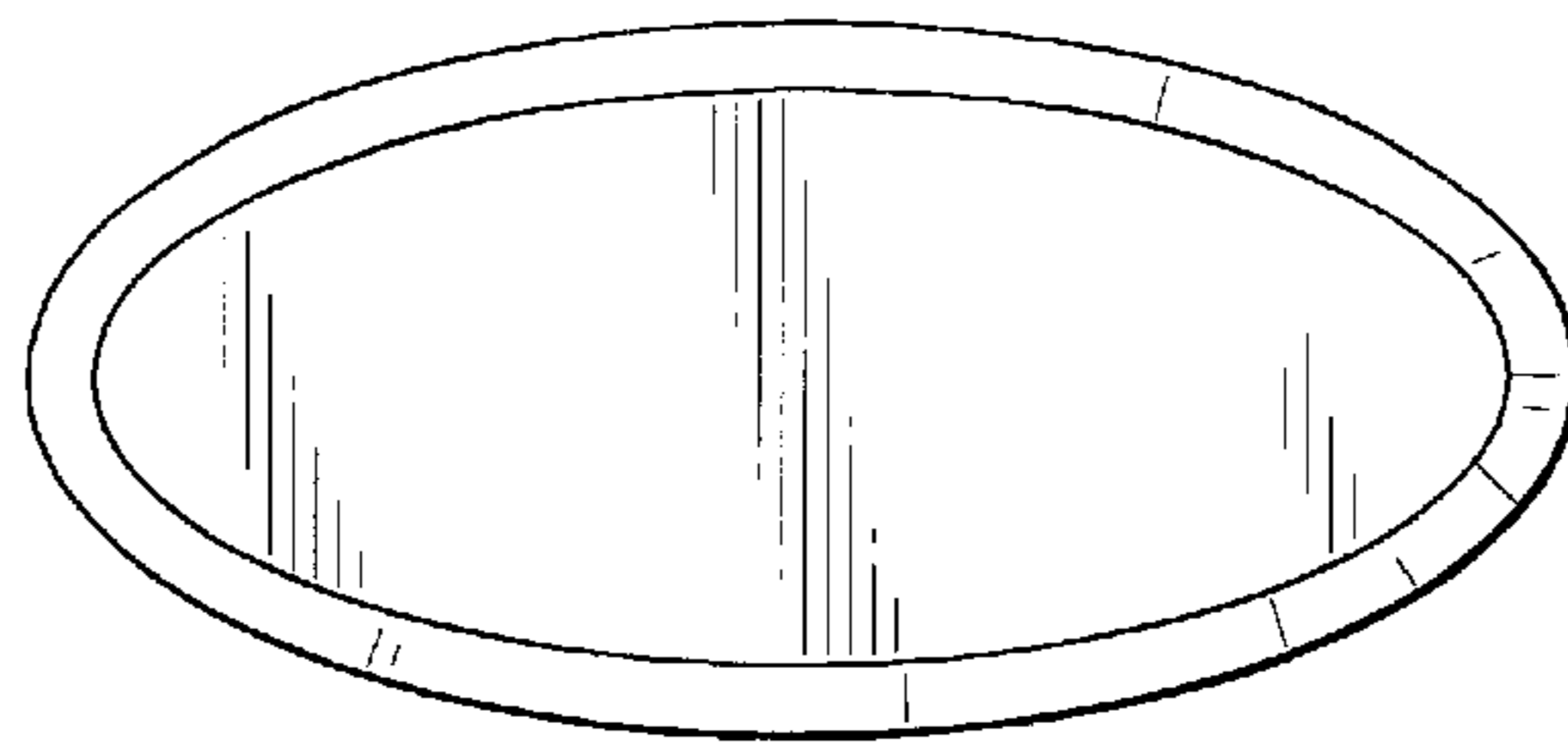


FIG. 4

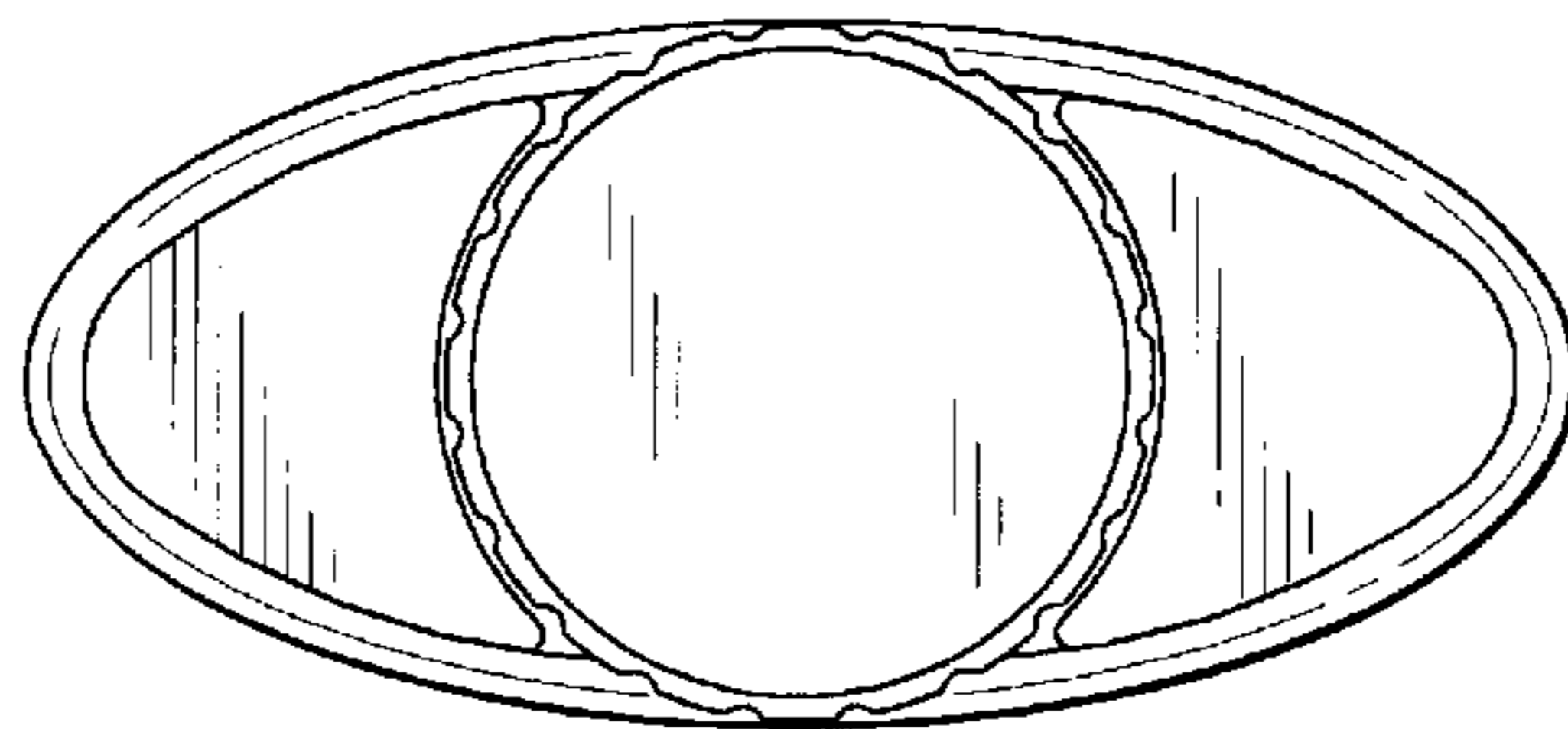


FIG. 5