



US00D455644S

(12) **United States Design Patent**  
**Coffey**

(10) **Patent No.:** **US D455,644 S**

(45) **Date of Patent:** **\*\* Apr. 16, 2002**

(54) **DOORSTOP**

D433,622 S \* 11/2000 Kramer ..... D8/402

(76) Inventor: **Kevin Coffey**, 17 Lindbergh Ave., Glen Cove, NY (US) 11542

\* cited by examiner

(\*\*) Term: **14 Years**

*Primary Examiner*—Jennifer Rivard  
(74) *Attorney, Agent, or Firm*—Collard & Roe, P.C.

(21) Appl. No.: **29/140,115**

(57) **CLAIM**

(22) Filed: **Apr. 11, 2001**

The ornamental design for a doorstop, as shown and described.

(51) **LOC (7) Cl.** ..... **08-09**

**DESCRIPTION**

(52) **U.S. Cl.** ..... **D8/402**

FIG. 1 shows a perspective view of my design for a doorstop;

(58) **Field of Search** ..... D8/402; 16/82, 16/85, 86 A, 86 R, DIG. 17; 292/342, 343, DIG. 15

FIG. 2 shows a top view thereof;

FIG. 3 shows a side view thereof;

FIG. 4 shows a side view thereof rotated 180° from FIG. 3;

FIG. 5 shows a bottom view thereof;

FIG. 6 shows a side view thereof rotated 90° from FIG. 4; and,

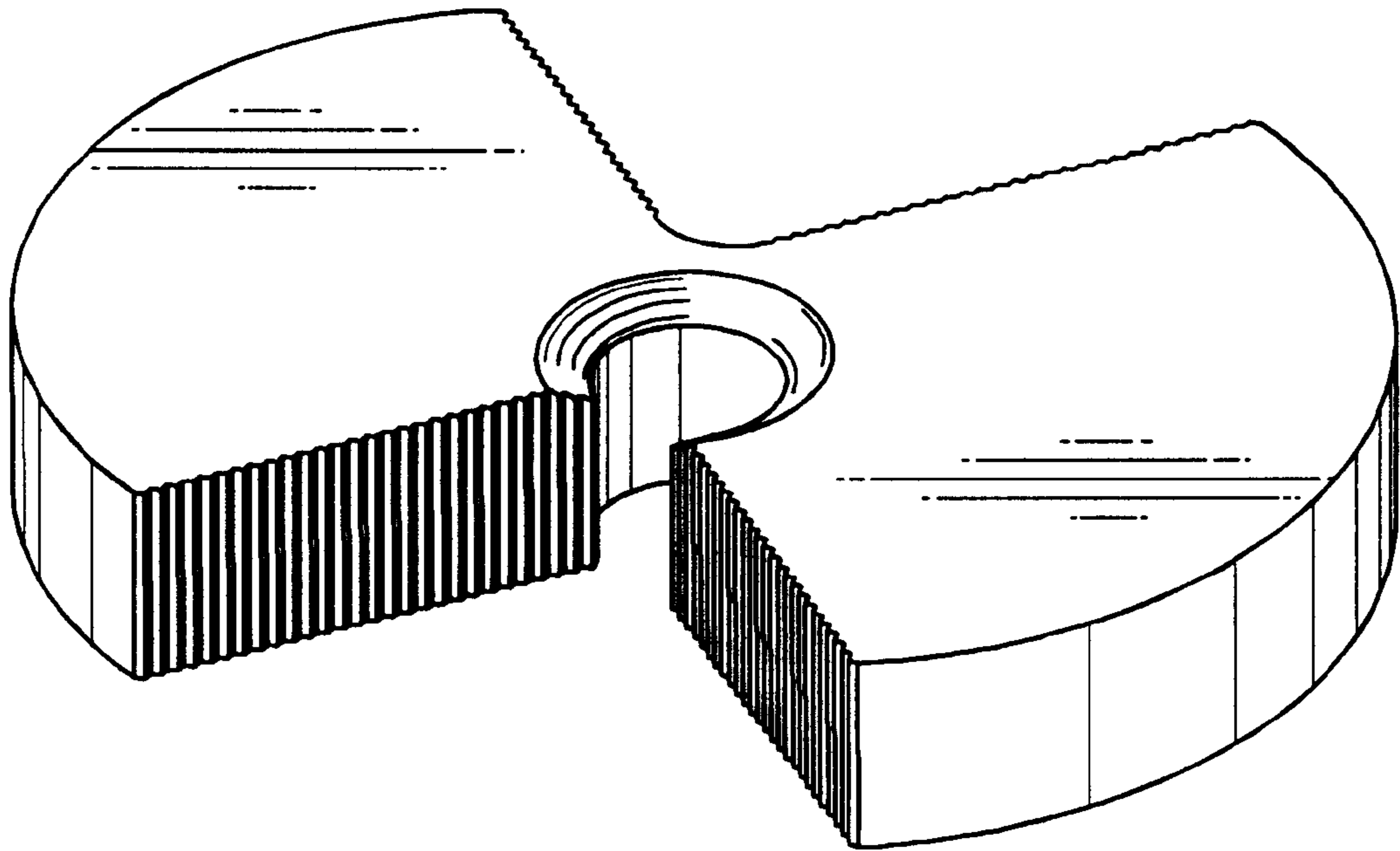
FIG. 7 shows a side view thereof rotated 180° from FIG. 6.

(56) **References Cited**

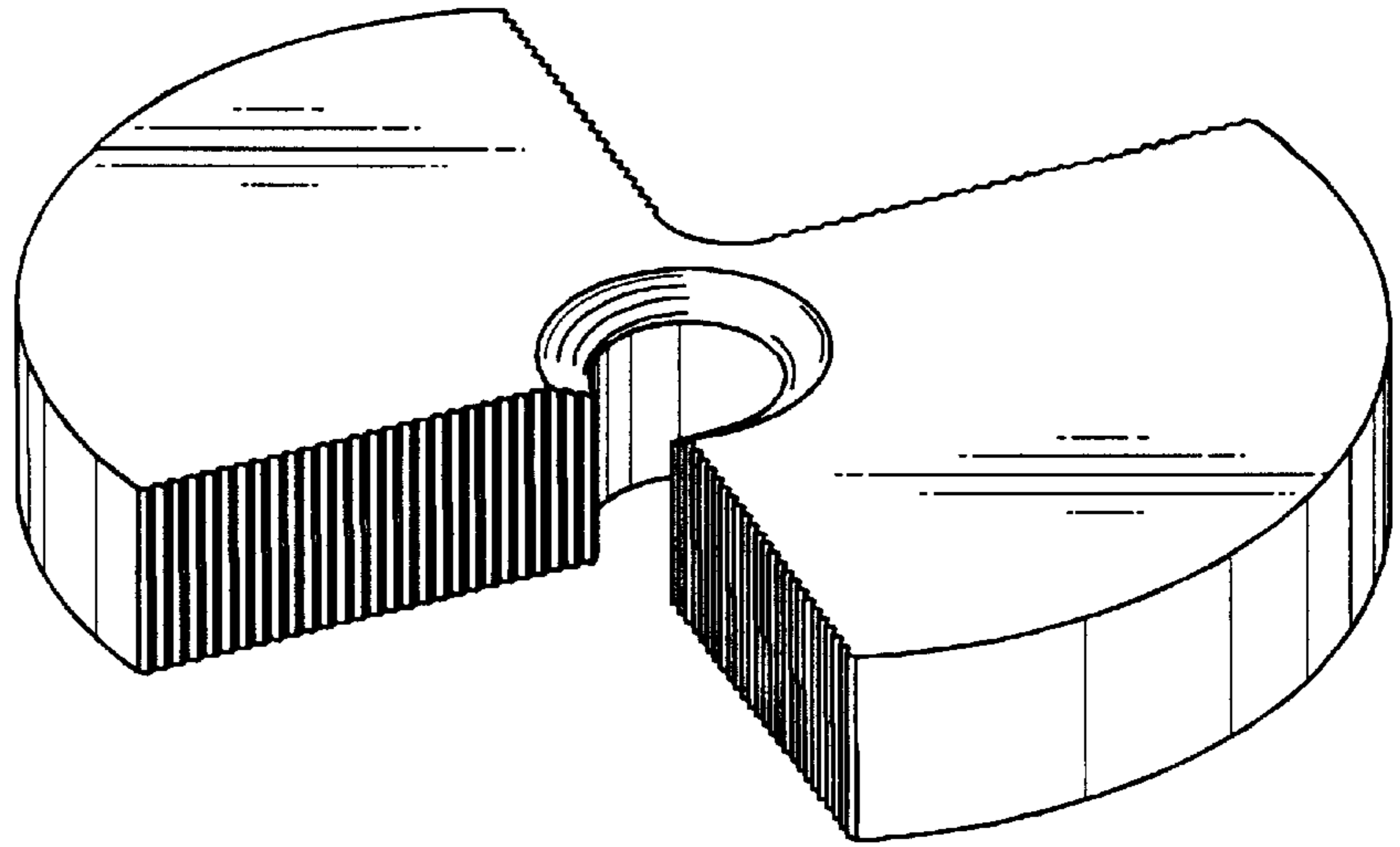
**U.S. PATENT DOCUMENTS**

4,611,429 A \* 9/1986 Kanies ..... 292/343 X  
5,675,865 A \* 10/1997 Van der Steur ..... 16/82  
D420,570 S \* 2/2000 Johnson ..... D8/402

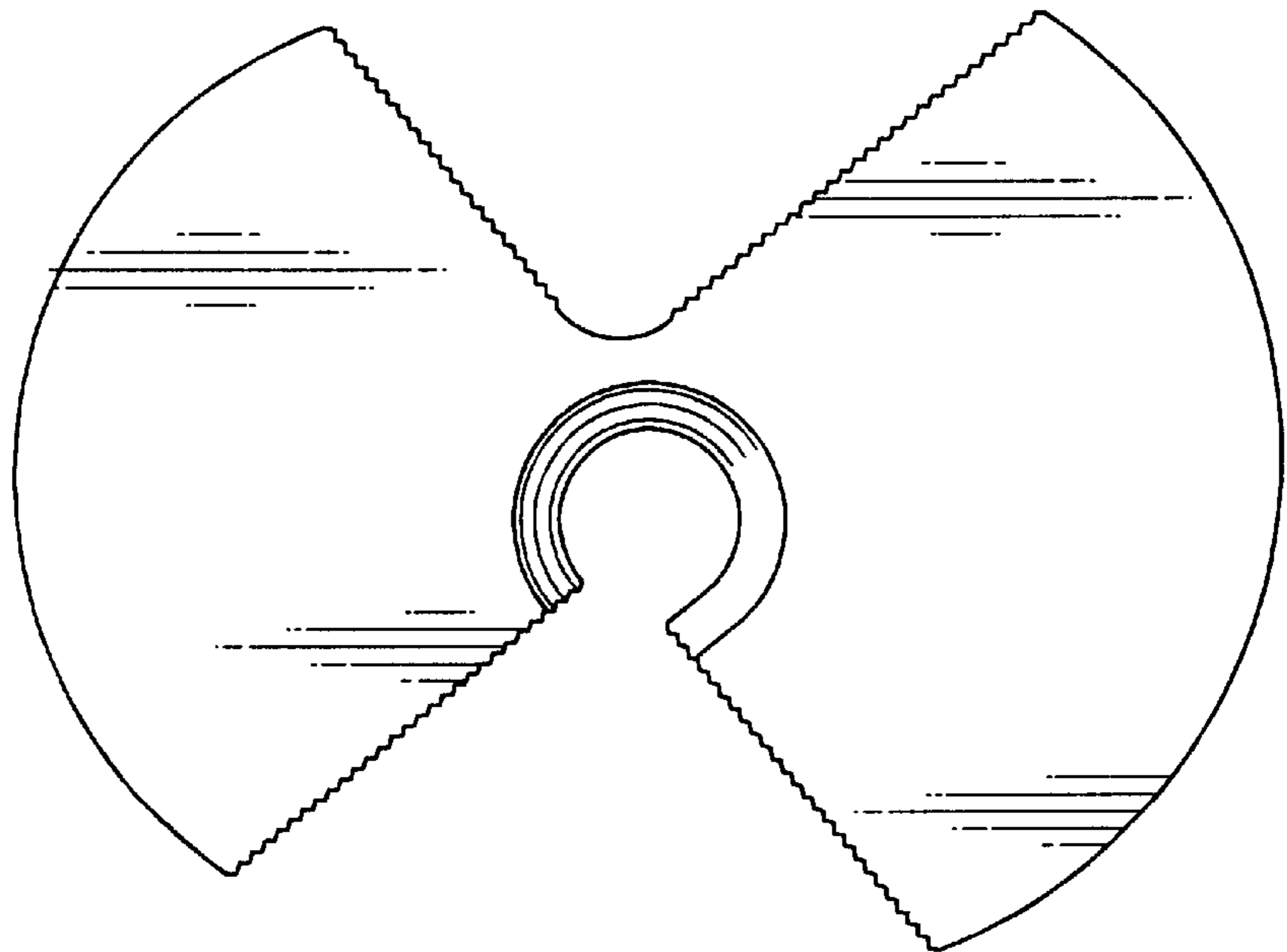
**1 Claim, 2 Drawing Sheets**



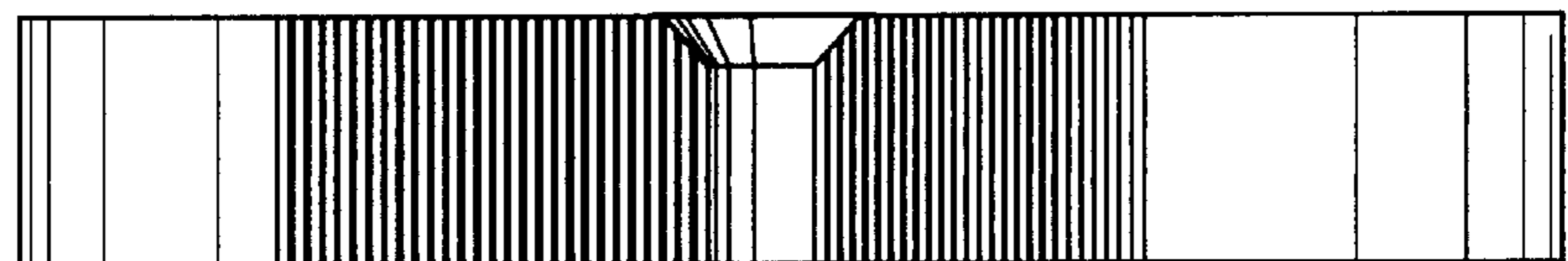
*Fig. 1*



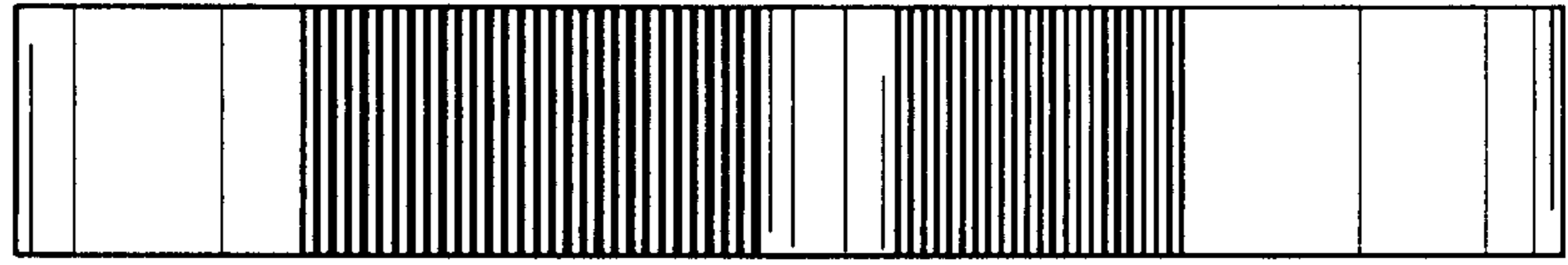
*Fig. 2*



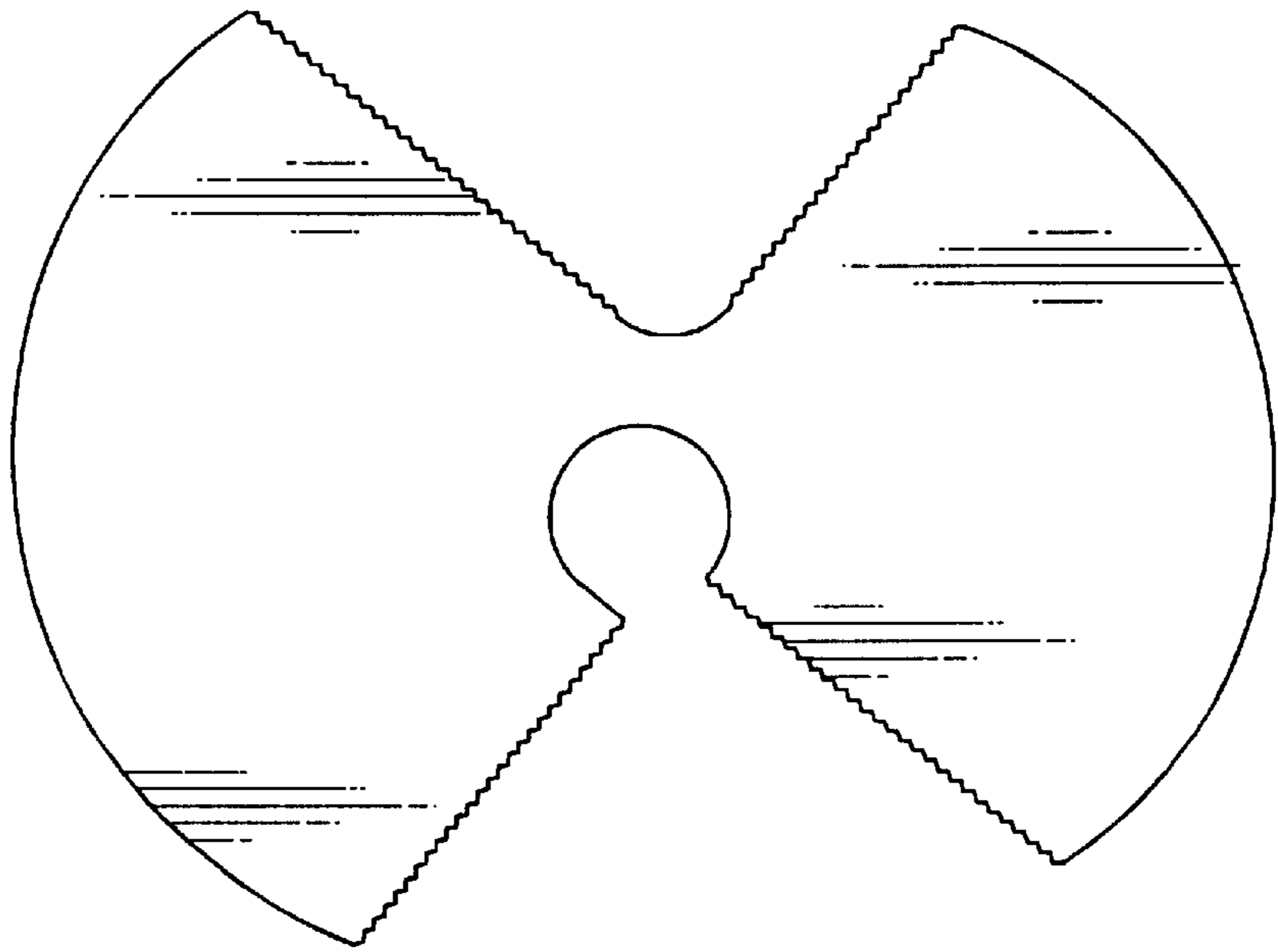
*Fig. 3*



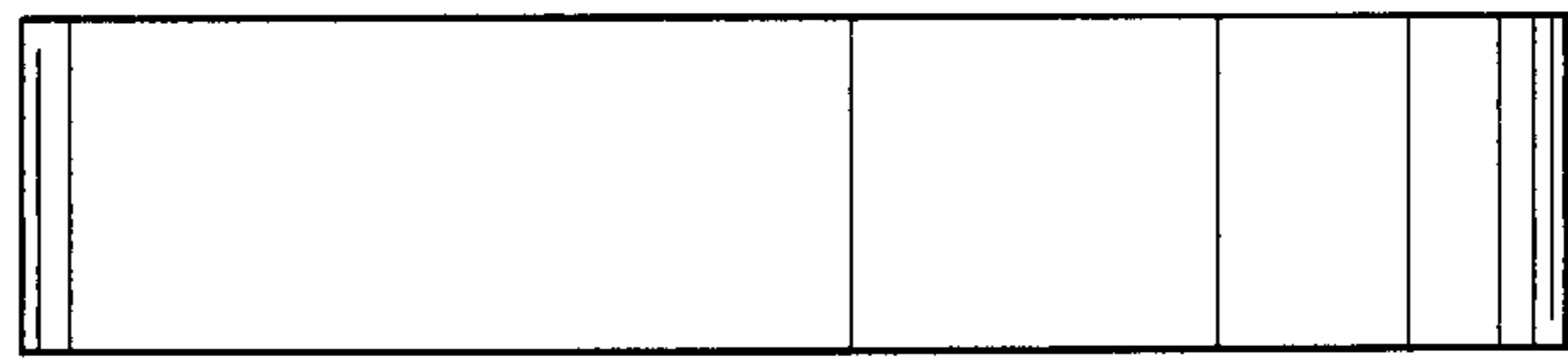
*Fig. 4*



*Fig. 5*



*Fig. 6*



*Fig. 7*

