



US00D455643S

(12) **United States Design Patent**
Aubin

(10) **Patent No.:** **US D455,643 S**

(45) **Date of Patent:** **** Apr. 16, 2002**

(54) **TRIMMER HANGER**

(76) **Inventor:** **David D. Aubin**, 97986 Lively La.,
Brookings, OR (US) 97415

(**) **Term:** **14 Years**

(21) **Appl. No.:** **29/148,710**

(22) **Filed:** **Sep. 25, 2001**

(51) **LOC (7) Cl.** **08-05**

(52) **U.S. Cl.** **D8/373; D6/553**

(58) **Field of Search** D8/367, 373; D6/553,
D6/535, 567; D12/420; 248/309.1, 314,
313, 312; 211/13.1, 70.6, 85.13, 65, 86,
88, 89, 89.01

(56) **References Cited**

U.S. PATENT DOCUMENTS

D243,426 S	*	2/1977	Joslyn	D6/567
4,219,178 A	*	8/1980	Assion	248/314
5,322,256 A		6/1994	Kanwischer	248/312
D361,462 S	*	8/1995	Newham	D6/567

D396,160 S	*	7/1998	Huang	D6/567
5,839,589 A		11/1998	Hillard	211/70.6
D414,210 S	*	9/1999	Davis	D6/553

* cited by examiner

Primary Examiner—Pamela Burgess
(74) *Attorney, Agent, or Firm*—Carl Crowell

(57) **CLAIM**

The ornamental design for a trimmer hanger, as shown and described.

DESCRIPTION

FIG. 1 is a perspective view of the invention showing the new design, the broken lines are for illustrative purposes only and do not form a part of the claimed design; FIG. 2 is a side elevation view thereof; FIG. 3 is a front elevation view thereof; FIG. 4 is a back elevation view thereof; FIG. 5 is a top plan view thereof; and, FIG. 6 is a bottom plan view thereof.

1 Claim, 1 Drawing Sheet

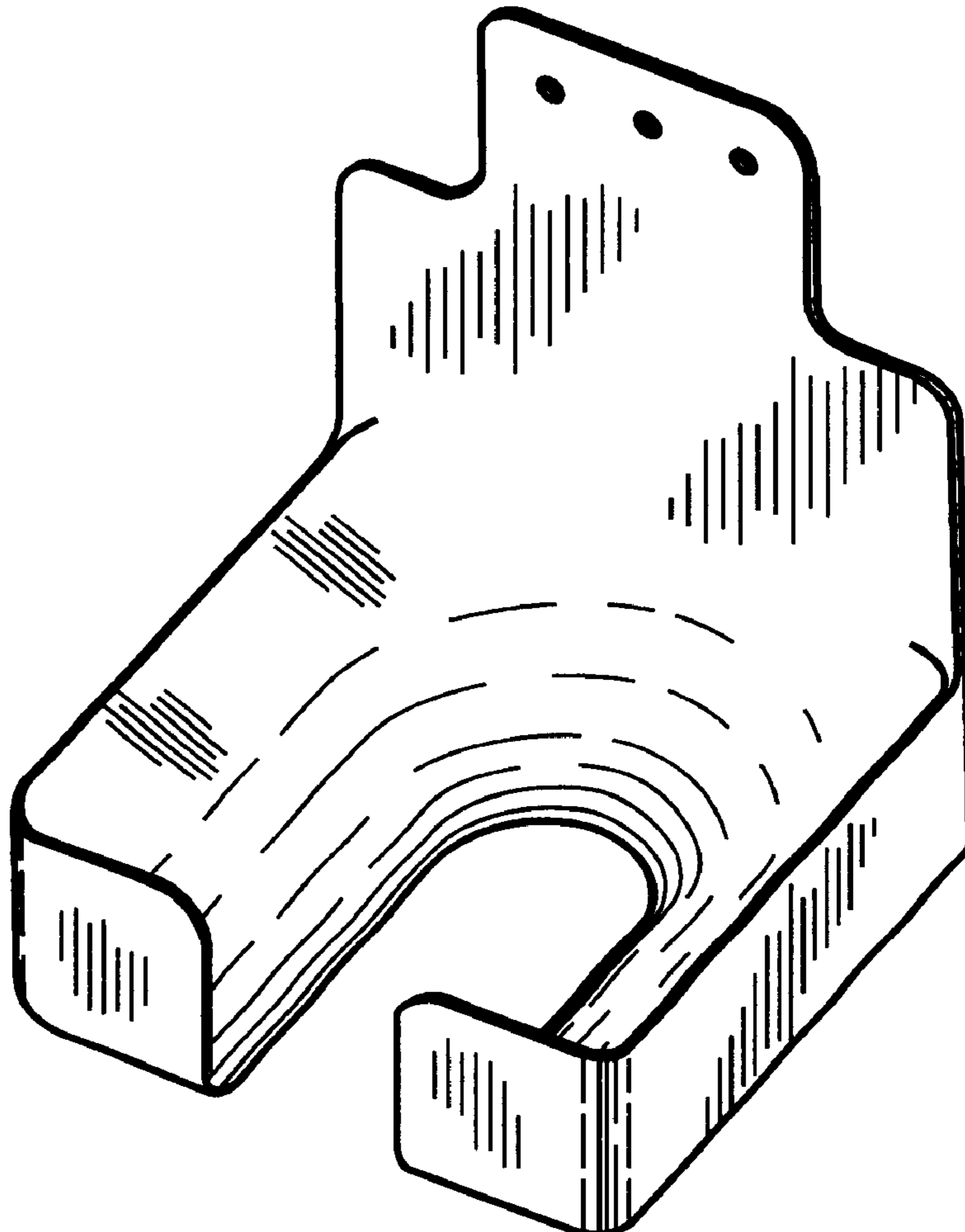


Fig. 1

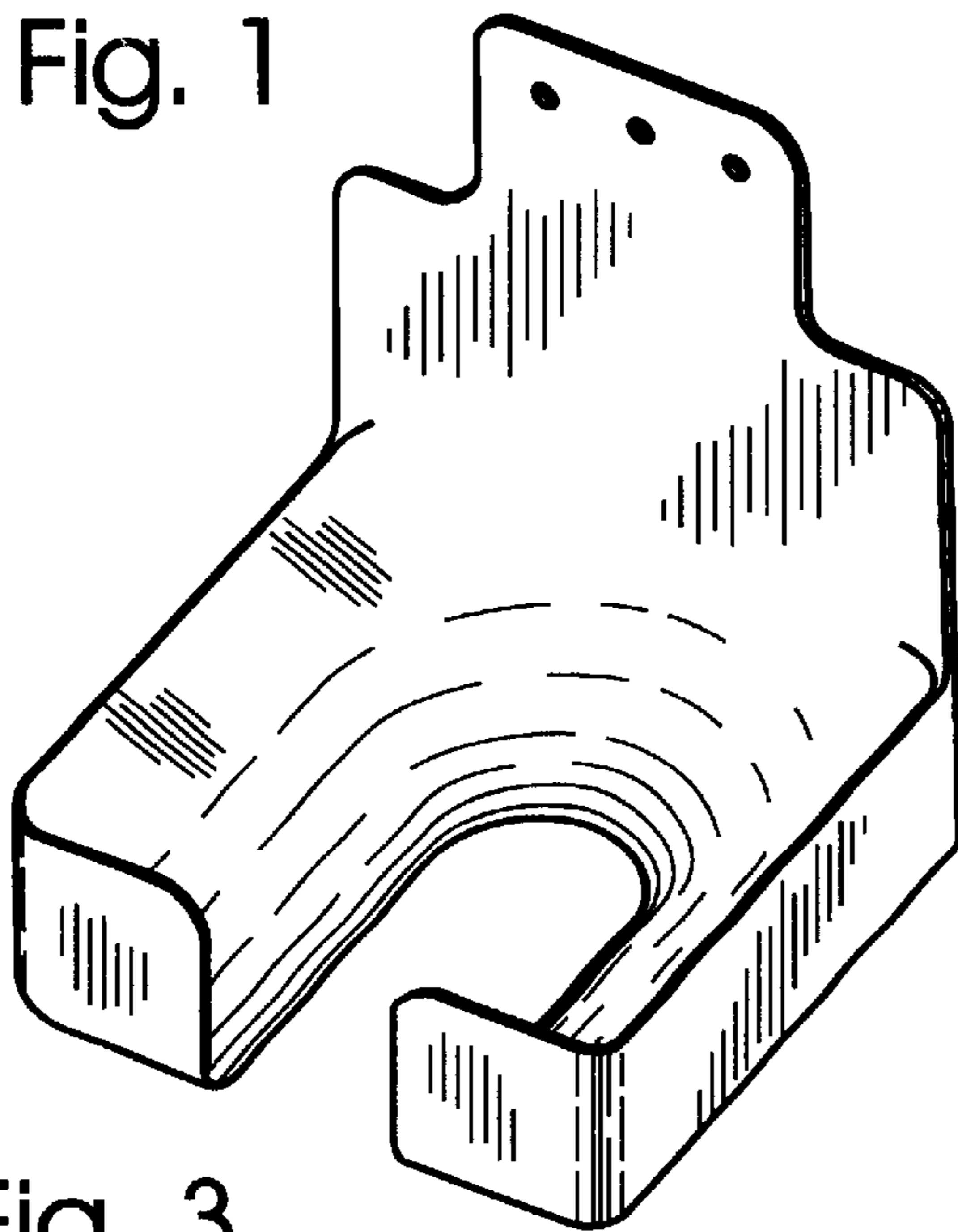


Fig. 2

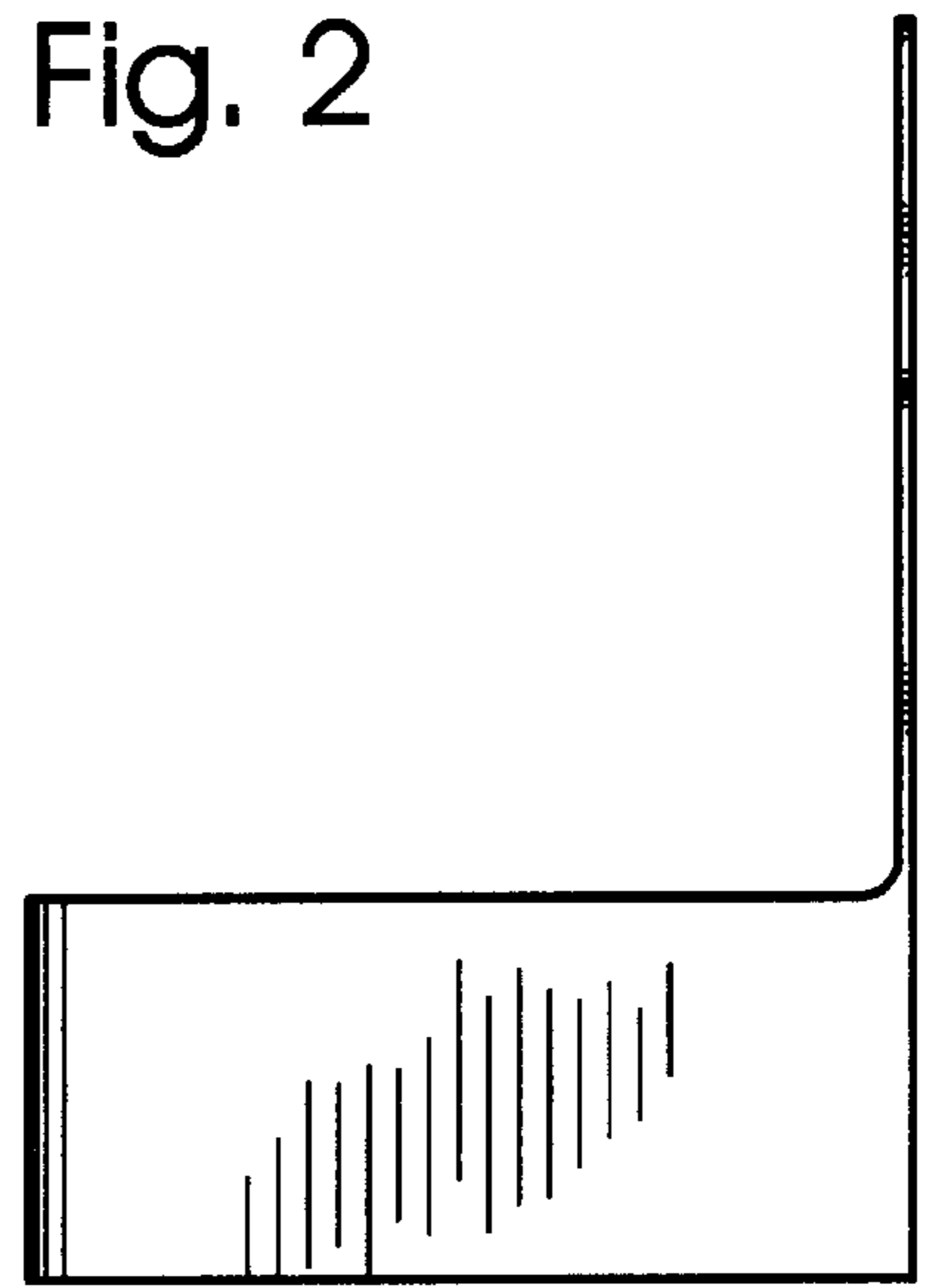


Fig. 3

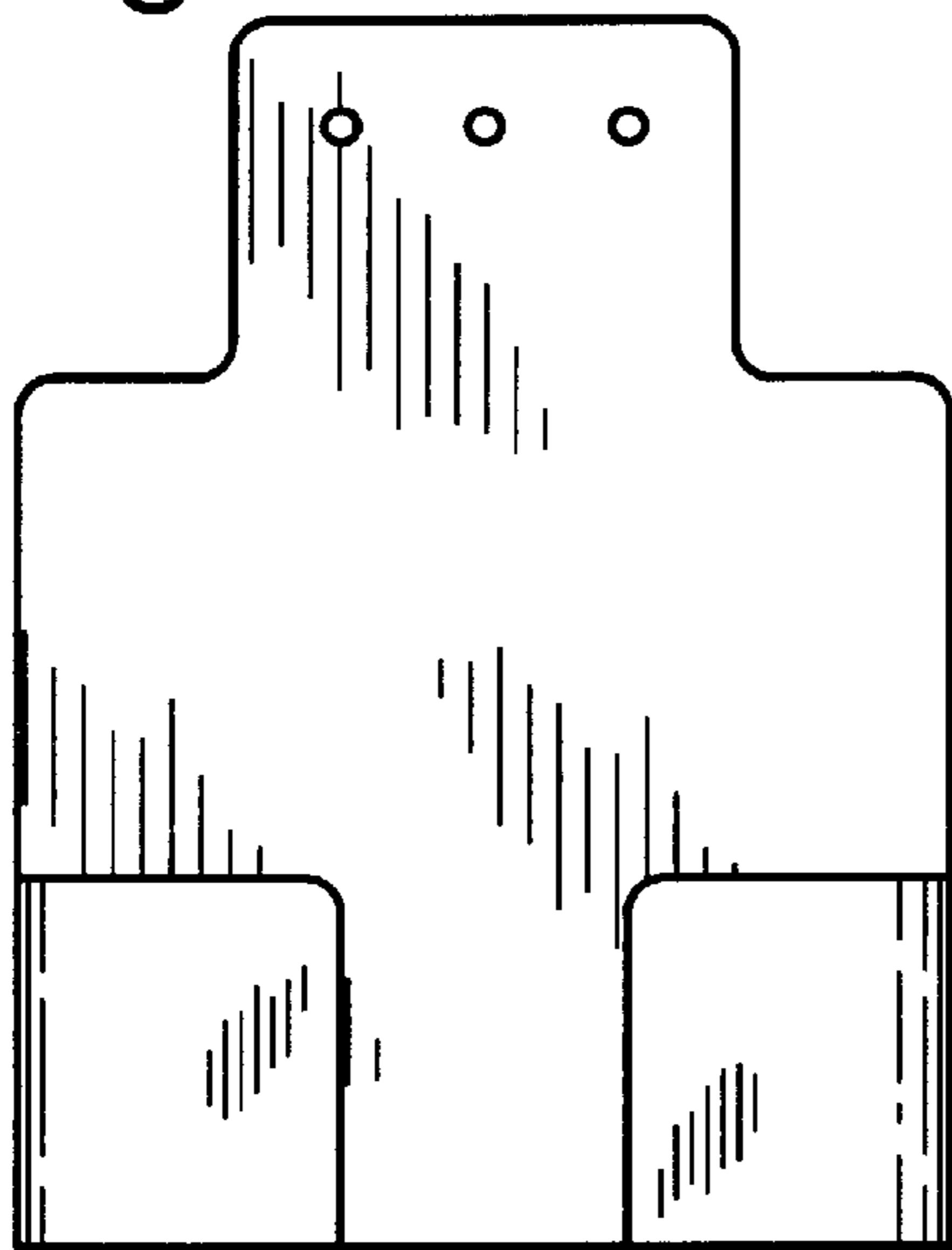


Fig. 4

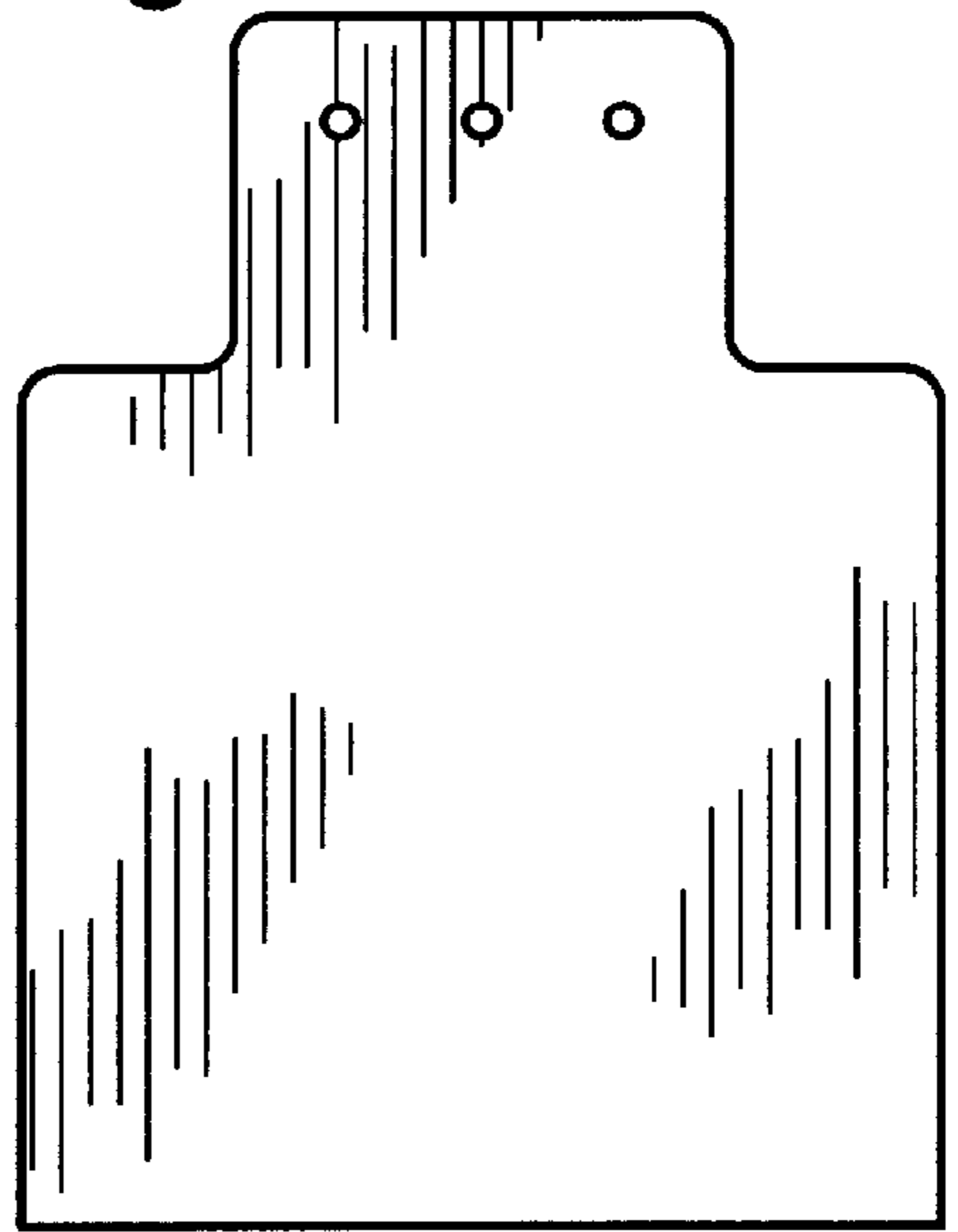


Fig. 5

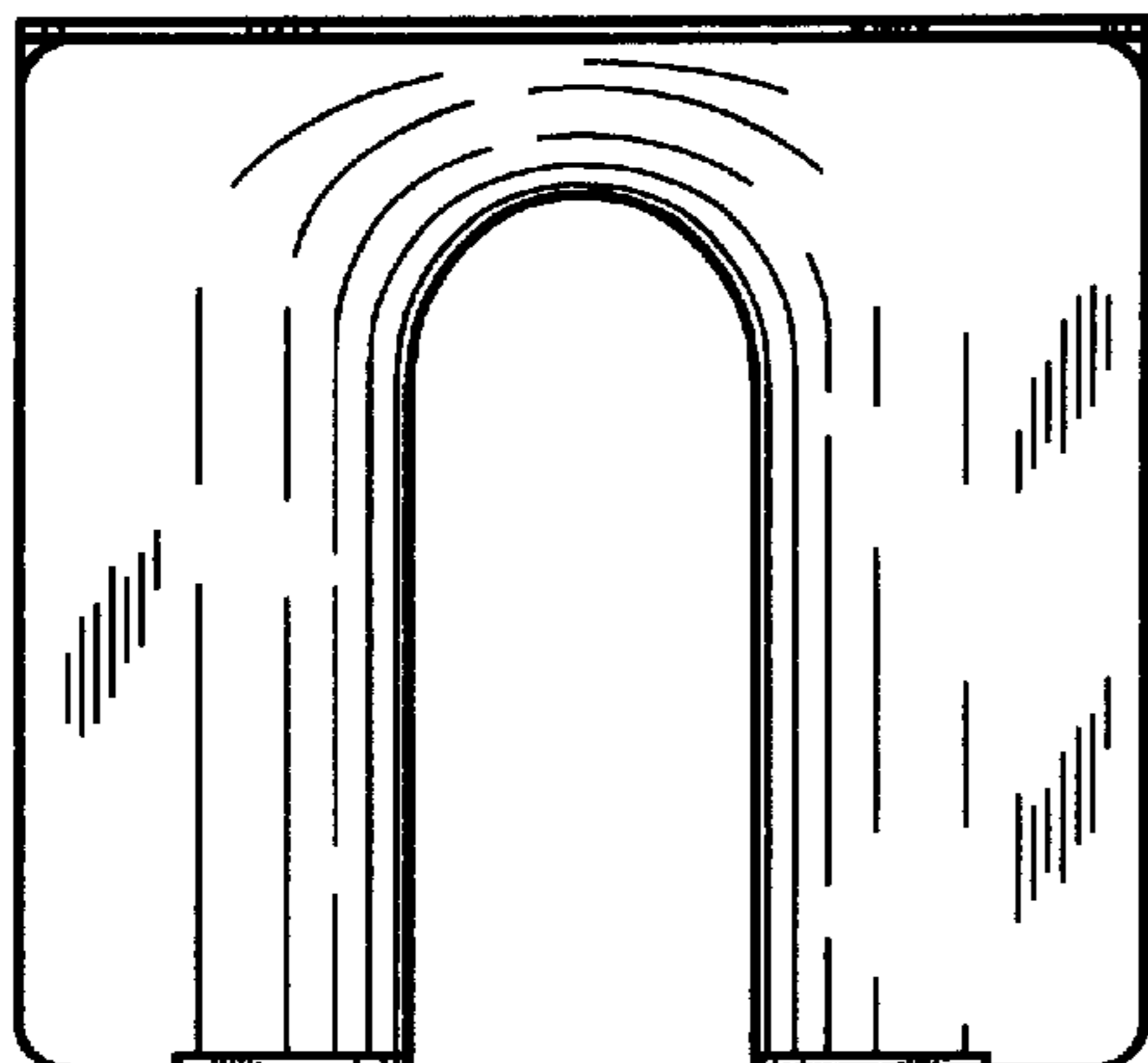


Fig. 6

