



US00D455640S

(12) **United States Design Patent**  
**Hansen**

(10) **Patent No.:** **US D455,640 S**

(45) **Date of Patent:** **\*\* Apr. 16, 2002**

(54) **PADDLE HANDLE HAVING OVAL-SHAPED EXTERIOR**

(76) Inventor: **Randall C. Hansen**, 6 Old Mill Ct., Columbia, SC (US) 29206

(\*\*) Term: **14 Years**

(21) Appl. No.: **29/134,573**

(22) Filed: **Dec. 22, 2000**

**Related U.S. Application Data**

(63) Continuation of application No. 29/081,971, filed on Dec. 8, 1997, now abandoned.

(51) **LOC (7) Cl.** ..... **11-05**

(52) **U.S. Cl.** ..... **D8/352; D8/306; D8/399**

(58) **Field of Search** ..... **D8/301, 302, 306, D8/350, 352, 399; 70/450, 452; 292/357, DIG. 23, DIG. 67; 220/241; 16/402; 411/531; 428/579, 580, 578, 596; D21/390, 484, 488**

(56) **References Cited**

**U.S. PATENT DOCUMENTS**

- 940,261 A \* 11/1909 Magruder
- 1,575,330 A \* 3/1926 Goodman
- 1,796,226 A \* 3/1931 Tombler
- 1,904,210 A \* 4/1933 Eichel, Jr.
- 3,782,141 A 1/1974 Doerrfeld
- 4,231,597 A 11/1980 Pelcin
- D265,965 S 8/1982 Davis et al.
- 4,420,954 A 12/1983 Hieronymi et al.
- 4,706,478 A 11/1987 Swan et al.
- 4,838,054 A 6/1989 Weinerman et al.
- D303,617 S 9/1989 Russell et al.
- D303,618 S 9/1989 Russell et al.
- 4,989,907 A 2/1991 Edmonds et al.
- 5,042,853 A 8/1991 Gleason et al.
- D323,776 S 2/1992 Hansen
- D323,970 S 2/1992 Schlack
- D324,636 S 3/1992 Schlack et al.
- D328,231 S 7/1992 Hansen
- 5,127,686 A 7/1992 Gleason et al.
- D346,731 S 5/1994 Larsen et al.

- 5,433,333 A \* 7/1995 Martell ..... D8/352
- D364,329 S 11/1995 Ziemer et al.
- D369,084 S 4/1996 McConnell et al.
- D370,620 S 6/1996 Ziemer
- D373,298 S 9/1996 Mieke et al.
- 5,586,458 A 12/1996 Weinerman et al.
- 5,605,363 A \* 2/1997 Kapes ..... 292/DIG. 23
- D380,955 S \* 7/1997 Landry et al. .... D8/306
- D382,791 S 8/1997 Weinerman et al.
- D383,664 S 9/1997 Bennett
- D389,393 S 1/1998 Hansen
- D390,086 S 2/1998 Weinerman et al.
- D390,443 S 2/1998 Zenner
- D394,373 S 5/1998 Weinerman et al.
- 5,820,174 A 10/1998 Parikh et al.
- 5,875,948 A 3/1999 Sadler
- 5,941,104 A 8/1999 Sadler

**OTHER PUBLICATIONS**

Grammes metal Products Catalog 66, copyright 1941; p. 7; check No. 14815.\*

Seastrom Catalog No. 50-D; copyright 1979; p. 2 of section 7; washer 5730.\*

\* cited by examiner

*Primary Examiner*—B. J. Bullock

(74) *Attorney, Agent, or Firm*—Dority & Manning, P.A.

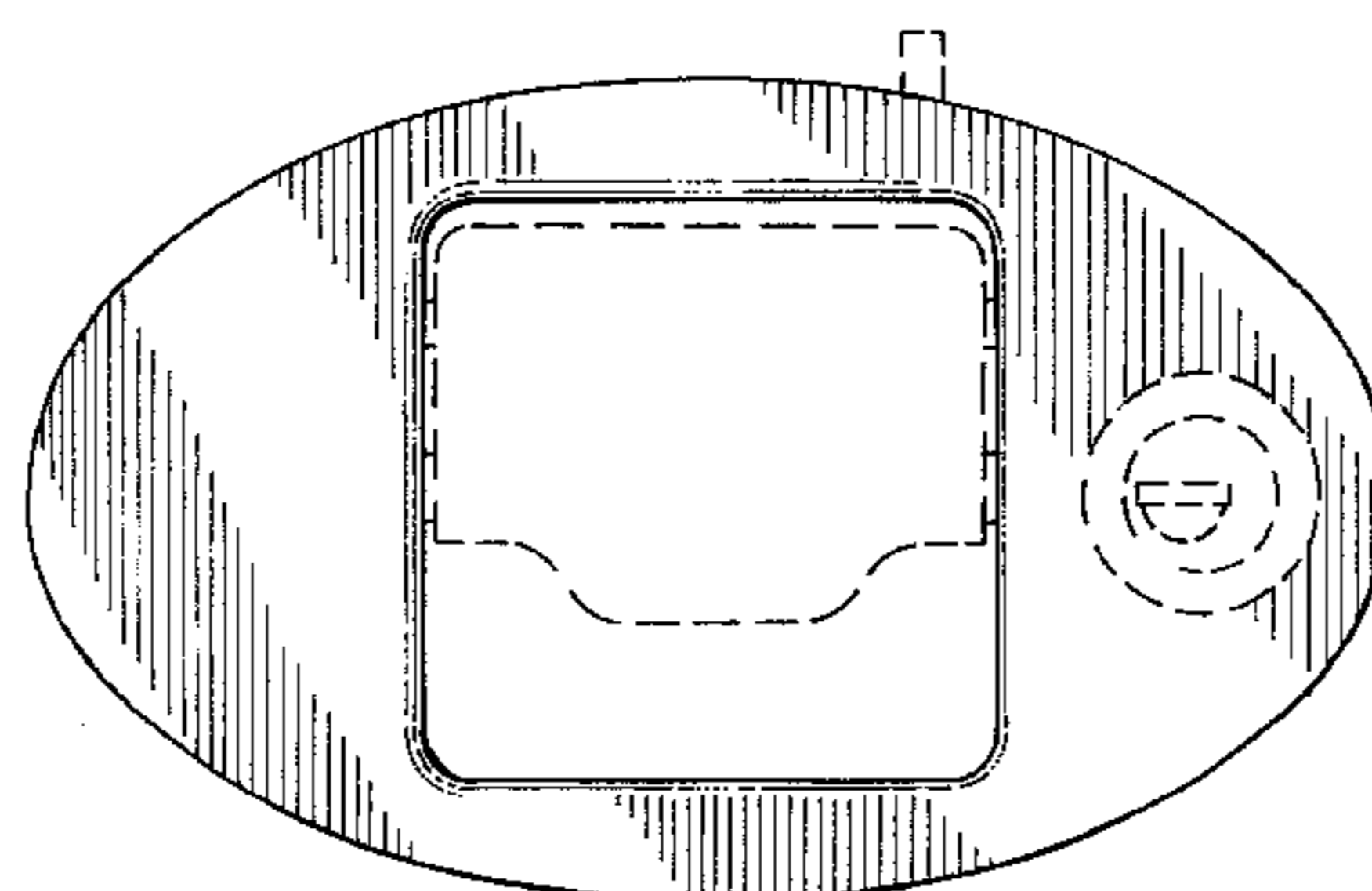
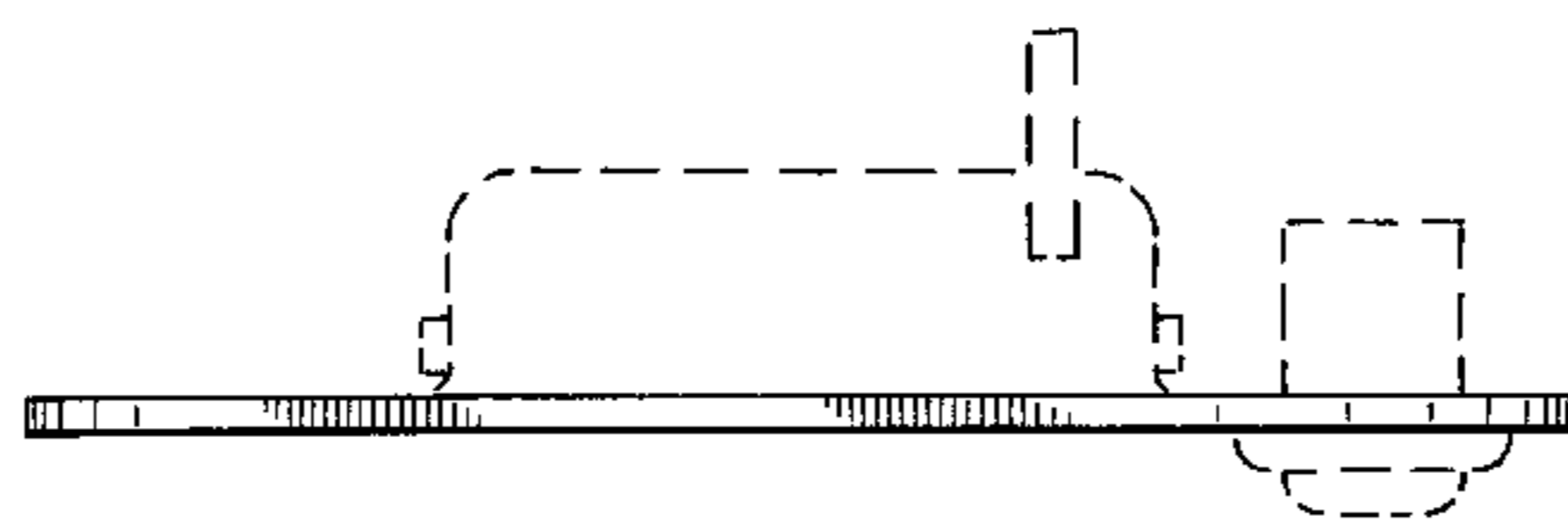
(57) **CLAIM**

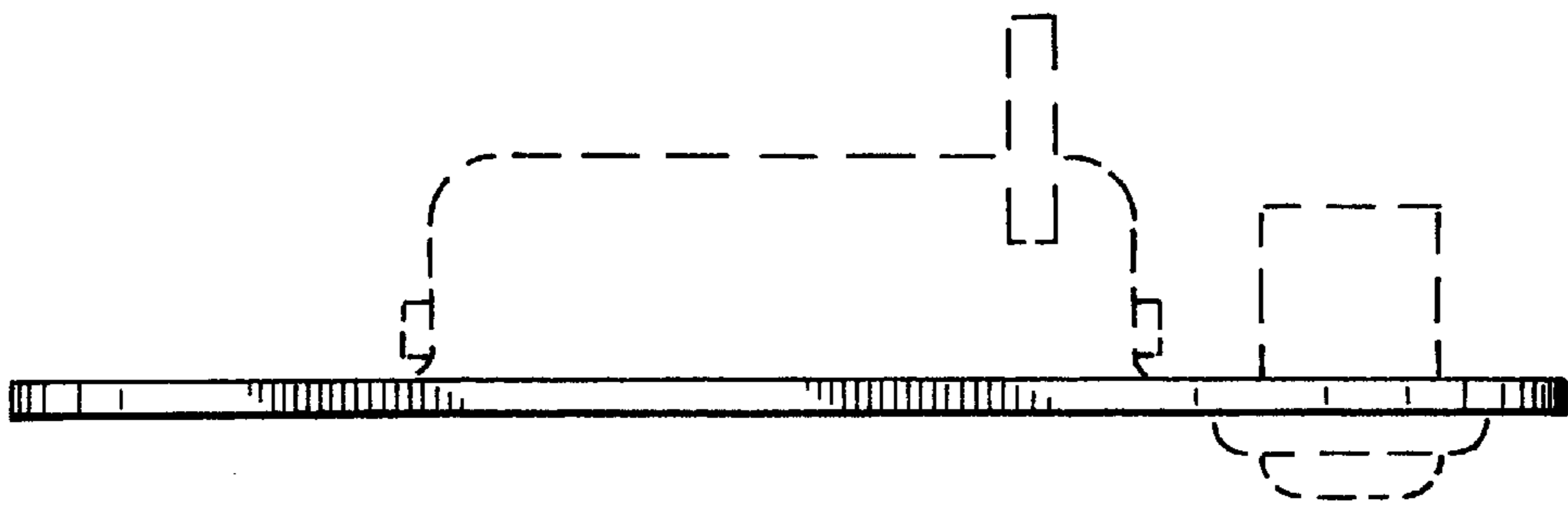
The ornamental design for a paddle handle having oval-shaped exterior, as shown and described.

**DESCRIPTION**

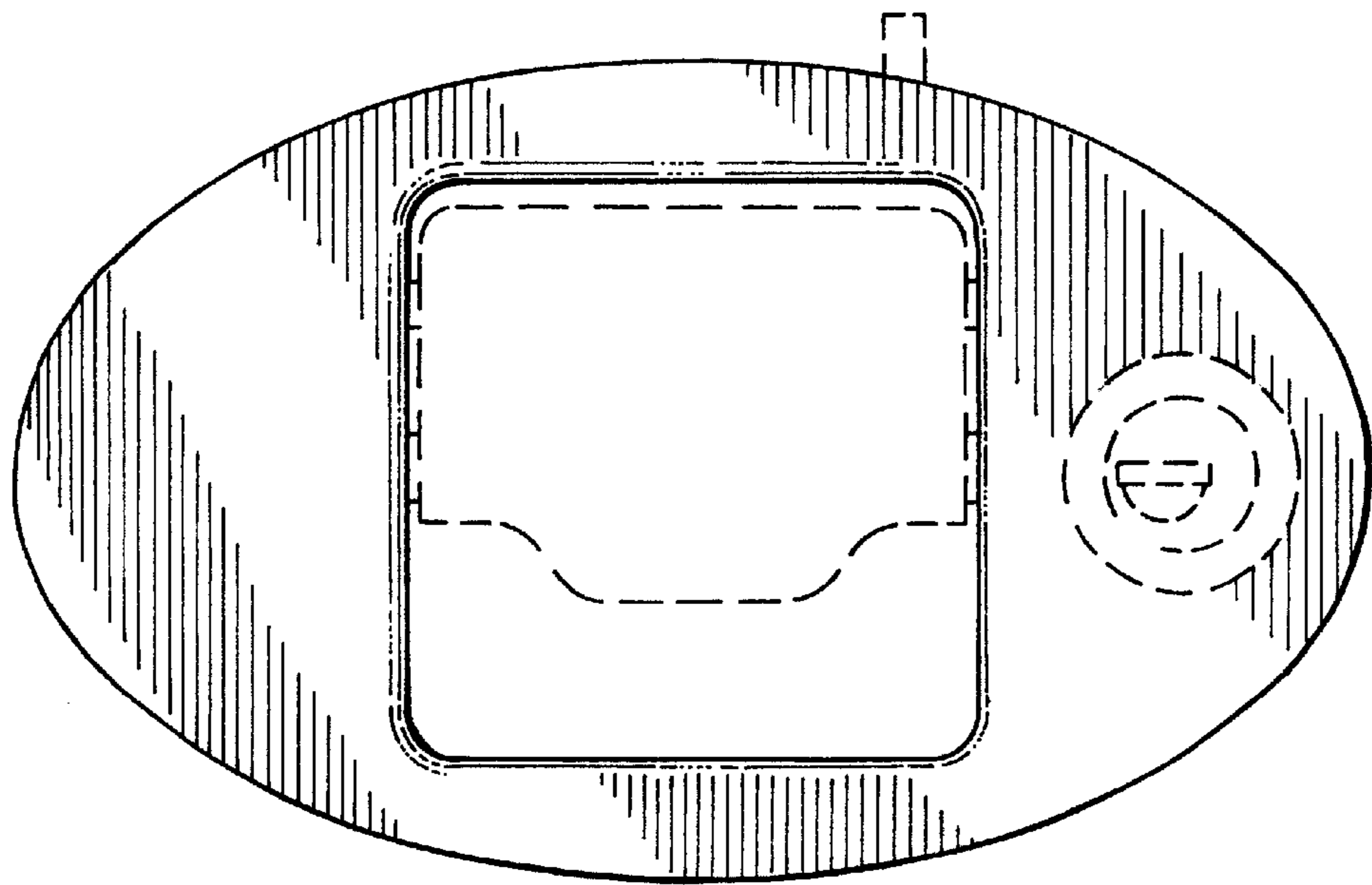
FIG. 1 is a top view of a paddle handle having a oval-shaped exterior according to the present invention; FIG. 2 is a front view of the handle design of FIG. 1; FIG. 3 is bottom view of the handle design of FIG. 1; FIG. 4 is a rear view of the handle design of FIG. 1; FIG. 5 is a right side view of the handle design of FIG. 1; and, FIG. 6 is a left side view of the handle design of FIG. 1. The broken lines are for illustrative purposes only and form no part of the claimed design.

**1 Claim, 2 Drawing Sheets**

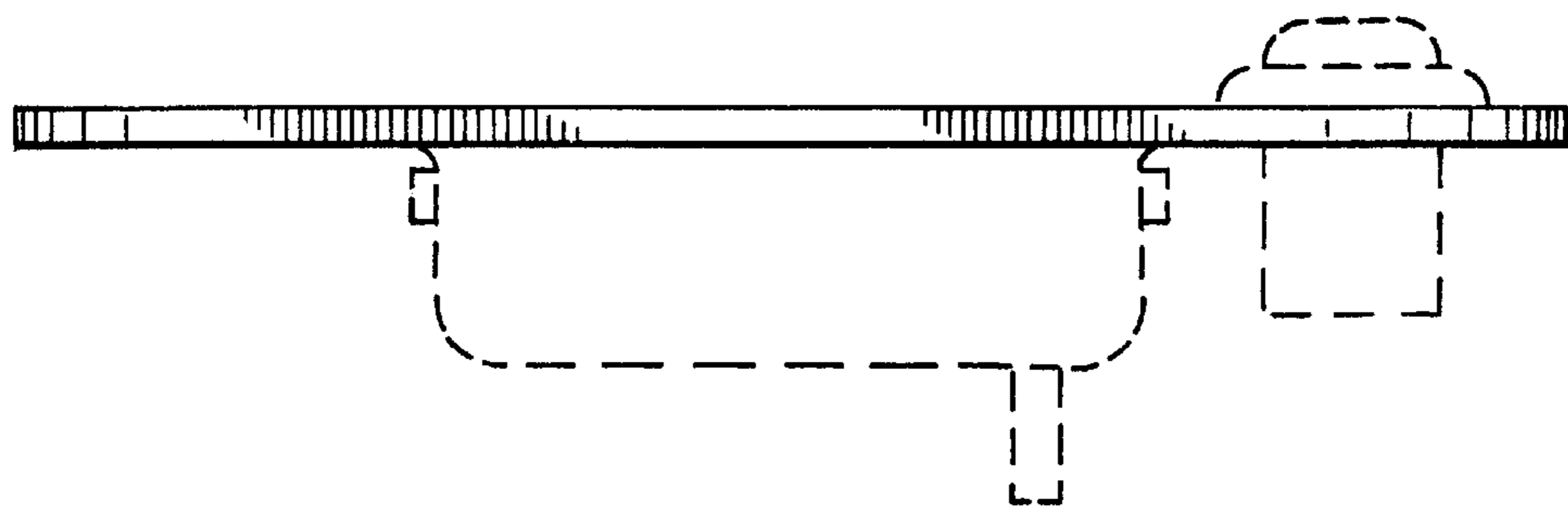




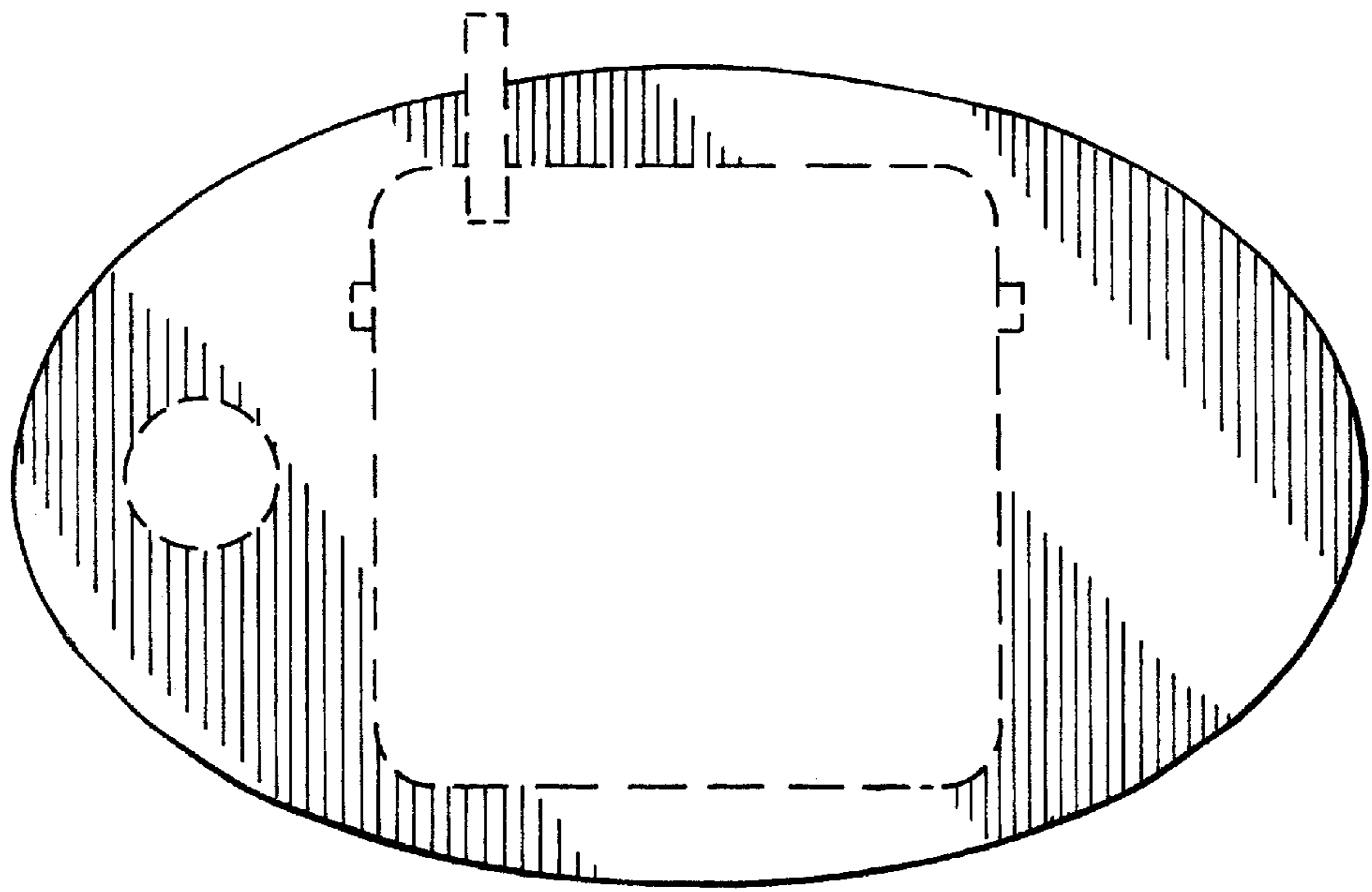
*Fig. 1*



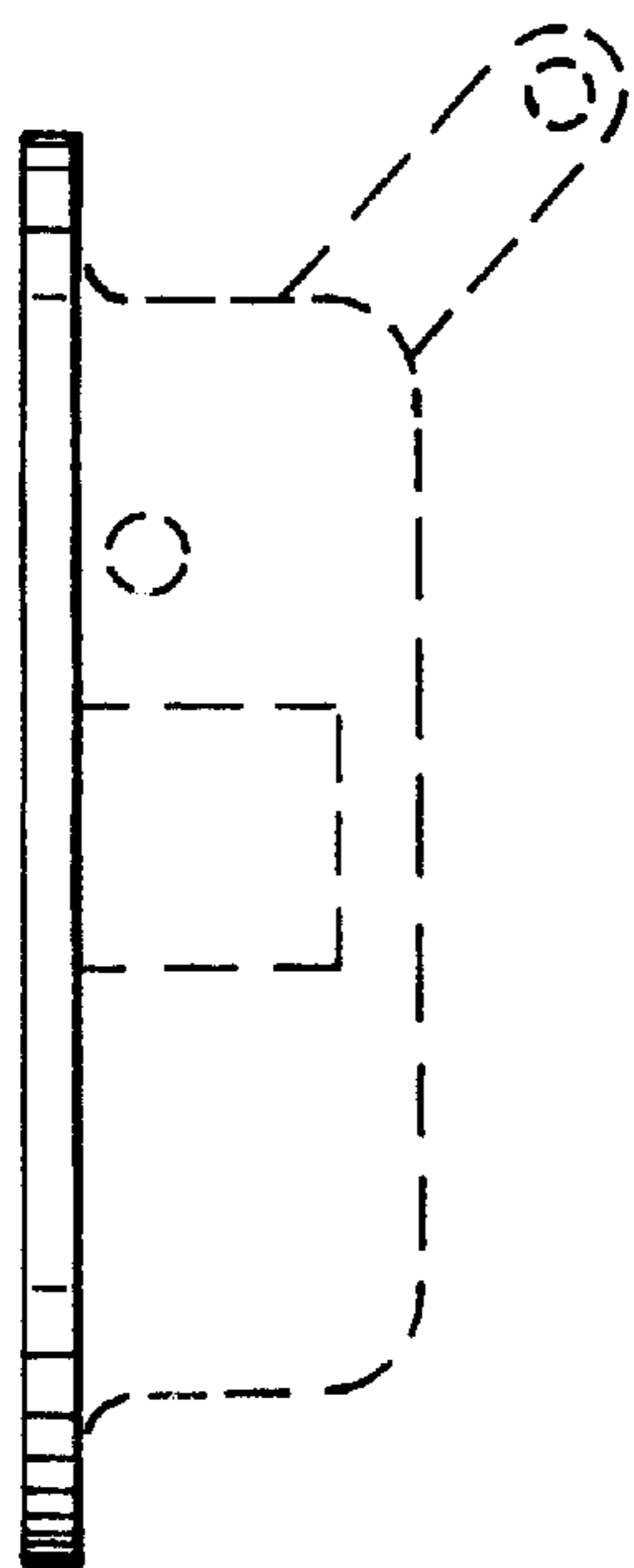
*Fig. 2*



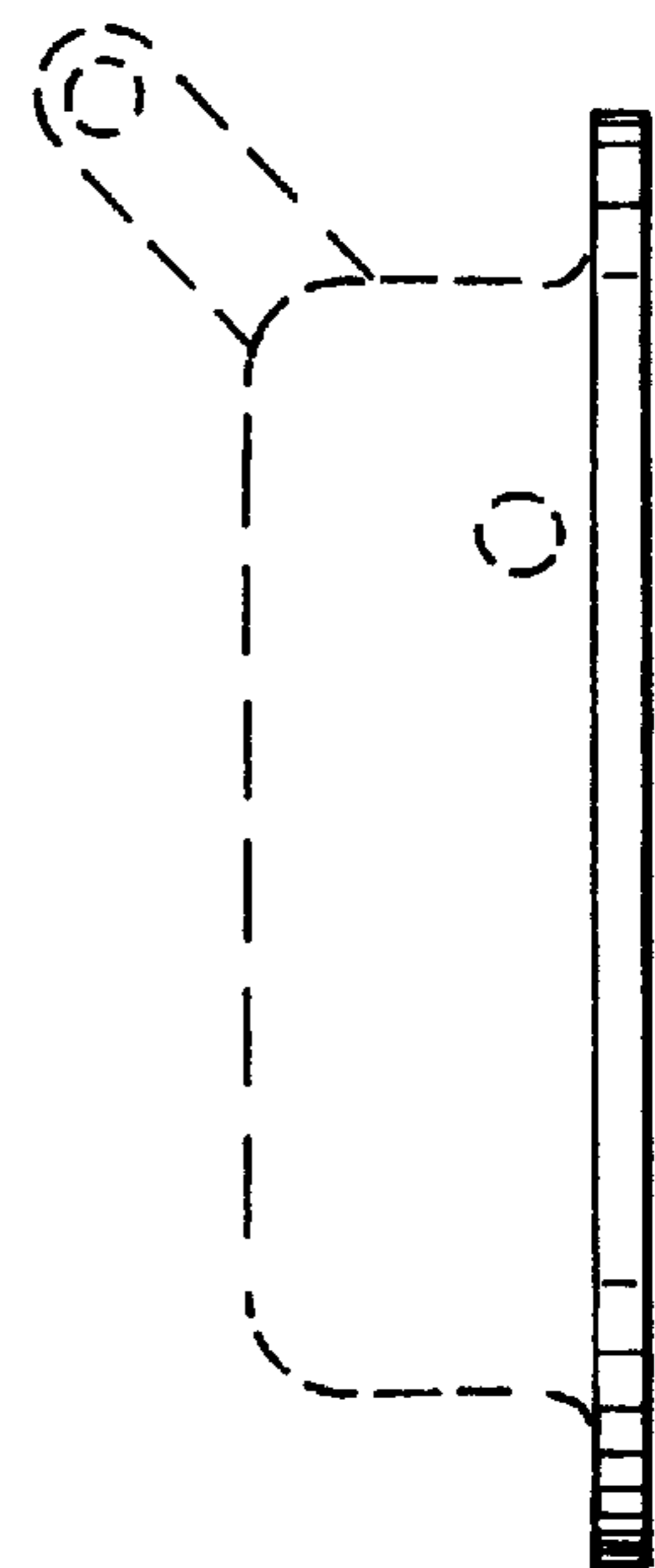
*Fig. 3*



*Fig. 4*



*Fig. 5*



*Fig. 6*