



US00D455638S

(12) **United States Design Patent**
Livingston et al.

(10) **Patent No.:** **US D455,638 S**

(45) **Date of Patent:** **** Apr. 16, 2002**

(54) **TURN-LOCK COVER**

4,914,932 A * 4/1990 Walla 70/367
5,634,359 A * 6/1997 Huebschen 70/369 X

(75) Inventors: **Thomas J. Livingston**, Homer;
Richard Rohmer, Jordan, both of NY
(US)

* cited by examiner

Primary Examiner—Jennifer Rivard

(73) Assignee: **Pass & Seymour, Inc.**, Syracuse, NY
(US)

(74) *Attorney, Agent, or Firm*—Wall Marjama & Bilinski
LLP

(**) Term: **14 Years**

(57) **CLAIM**

The ornamental design for a turn-lock cover, as shown and described.

(21) Appl. No.: **29/132,497**

(22) Filed: **Nov. 10, 2000**

DESCRIPTION

(51) **LOC (7) Cl.** **08-07**

FIG. 1 is a front perspective view thereof, illustrating our new Design;

(52) **U.S. Cl.** **D8/346**

FIG. 2 is a side elevation view, the opposite side view being a mirror image thereof;

(58) **Field of Search** D8/330, 331, 343,
D8/346; 70/431, 448, 449, 407, 368, 375,
369, 372, 367, 51, 52, 55, 373

FIG. 3 is a rear elevation view thereof; and,

FIG. 4 is a top plan view, the bottom plan view being a mirror image thereof.

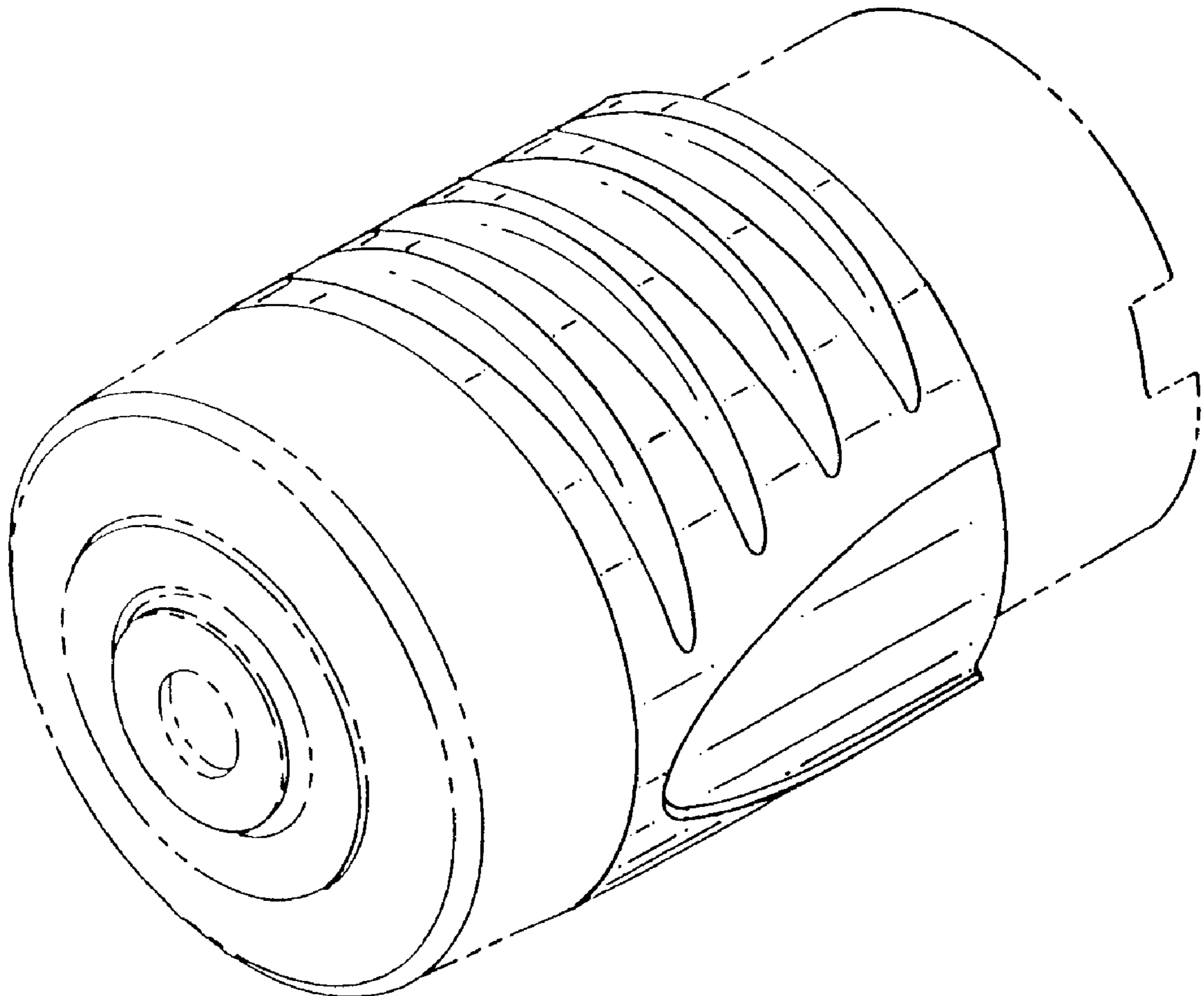
(56) **References Cited**

The broken line environmental showing is for illustrative purposes only and forms no part of the claimed design.

U.S. PATENT DOCUMENTS

3,367,156 A * 2/1968 Johnstone 70/373 X
D264,680 S * 6/1982 Widen D8/343

1 Claim, 1 Drawing Sheet



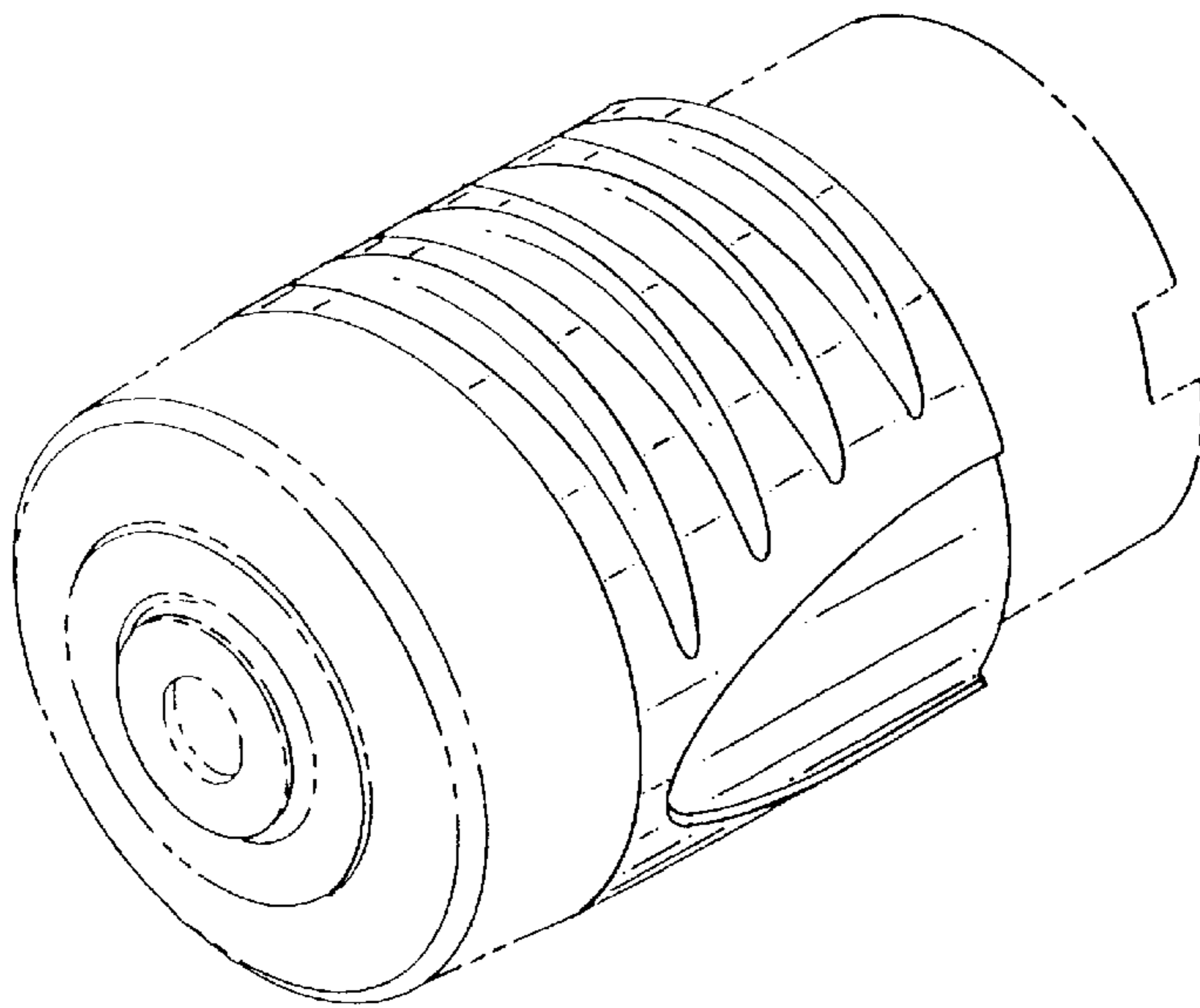


FIG.1

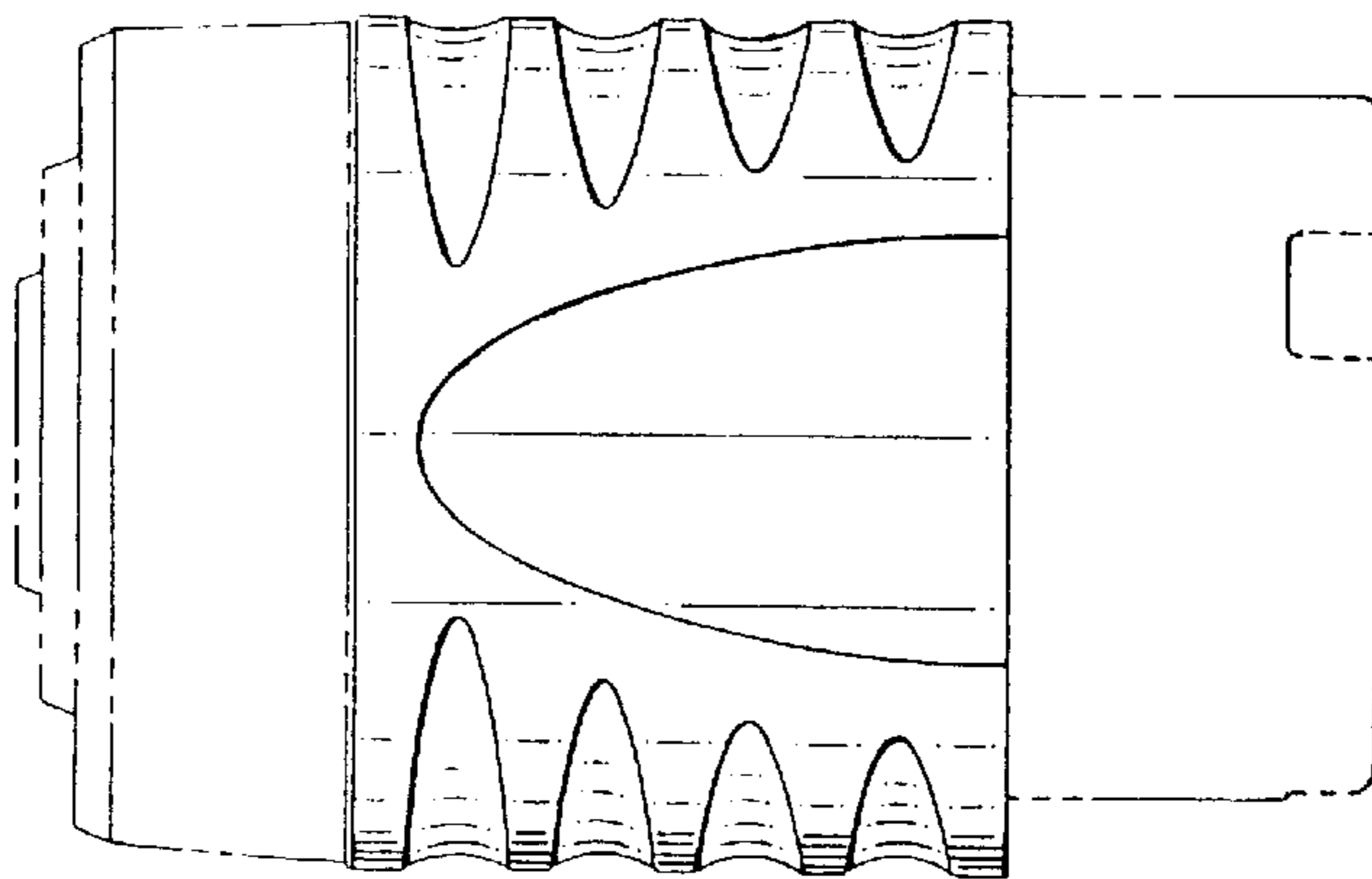


FIG.2

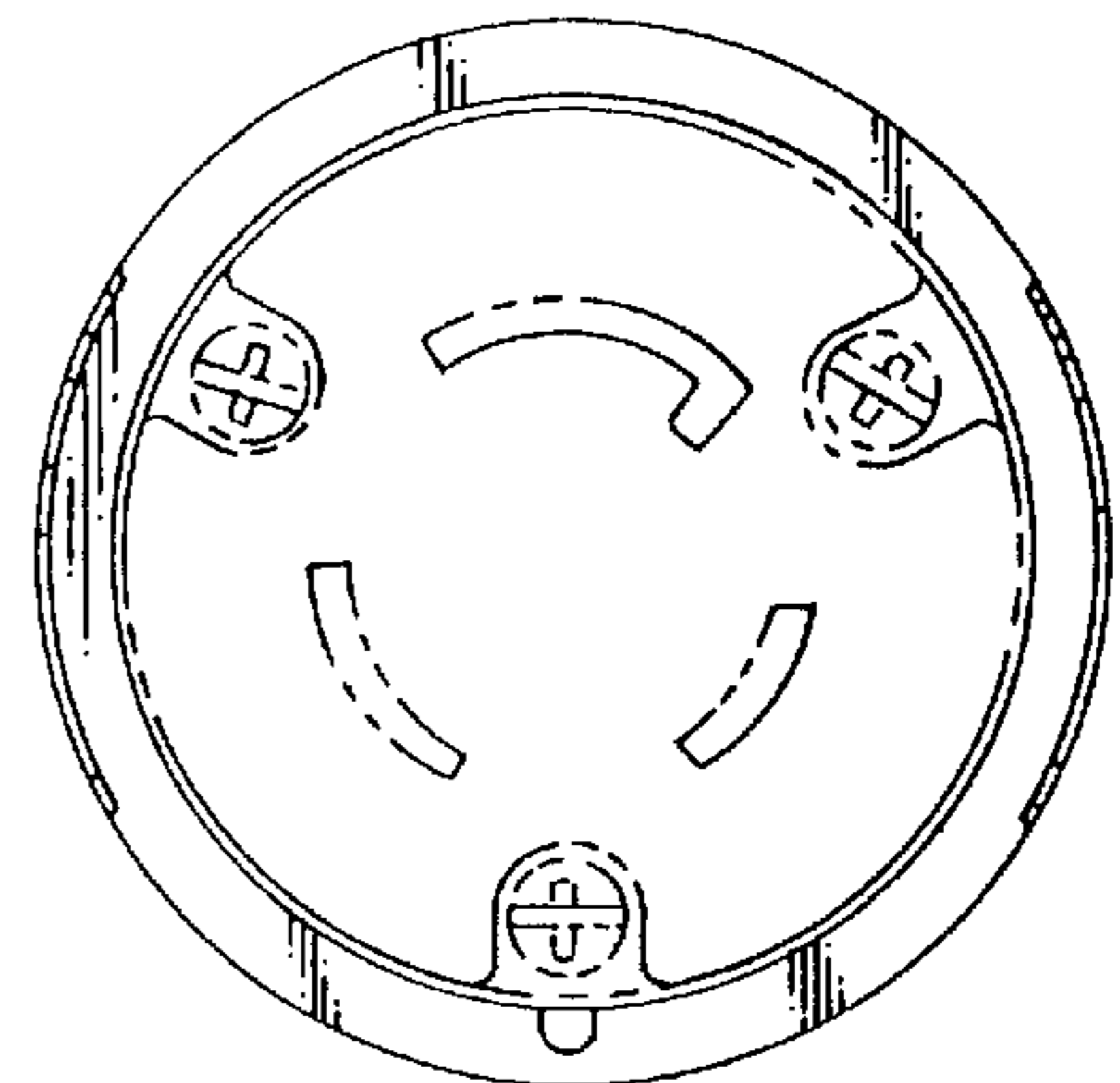


FIG.3

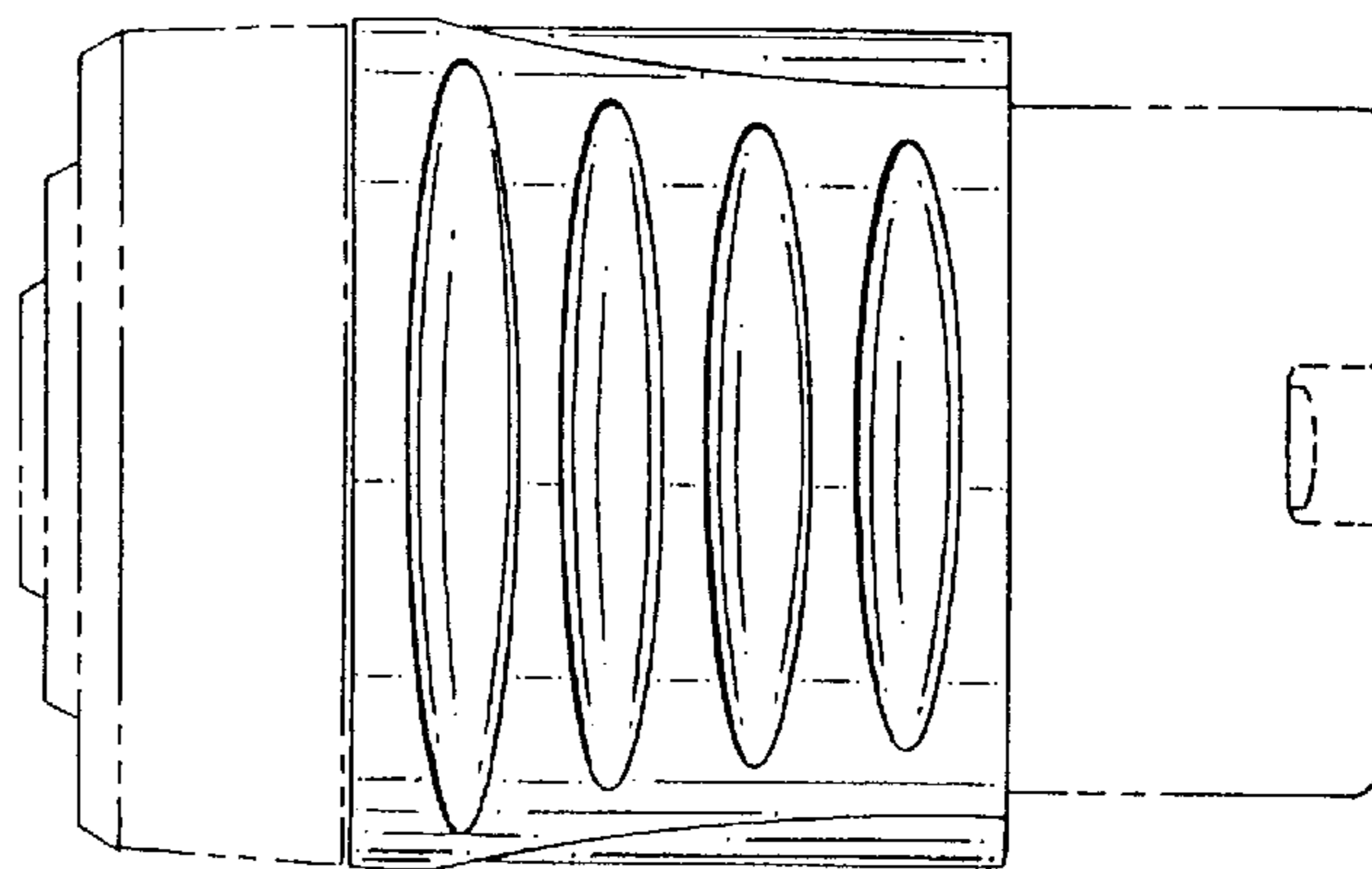


FIG.4