



US00D455630S

(12) **United States Design Patent**
Chiu

(10) **Patent No.:** **US D455,630 S**

(45) **Date of Patent:** **** Apr. 16, 2002**

(54) **MULTI-FUNCTION TOOL**

(76) **Inventor:** **Ching-Hsiung Chiu**, No.46,26 Lane,
Sec.1, Chang-Sing Road, Chang-Hua
City, Chang-Hua Hsien (TW)

(**) **Term:** **14 Years**

(21) **Appl. No.:** **29/149,504**

(22) **Filed:** **Oct. 12, 2001**

(51) **LOC (7) Cl.** **08-02**

(52) **U.S. Cl.** **D8/105; D8/26; D8/87**

(58) **Field of Search** D8/14, 21-29,
D8/98, 99, 82-87, 104, 105, 106, 107;
7/118, 128, 138-142, 158-163, 167, 168,
170; 30/152, 161, 450; 81/436-440, 121.1,
124.2-124.7, 177.1, 177.4, 177.6

(56) **References Cited**

U.S. PATENT DOCUMENTS

D342,433 S	*	12/1993	Sorenson	D8/107
5,320,004 A	*	6/1994	Hsiao	81/177.6 X
5,450,774 A	*	9/1995	Chang	81/440
D383,048 S	*	9/1997	Sorenson et al.	D8/105 X
D427,875 S	*	7/2000	Chiu	D8/105

6,092,444 A	*	7/2000	Hsiao	81/440
6,128,981 A	*	10/2000	Bondhus et al.	7/168 X
D447,401 S	*	9/2001	Rivera	D8/105
6,286,168 B1	*	9/2001	Woodruff et al.	7/138
6,314,600 B1	*	11/2001	Cachot	7/128

* cited by examiner

Primary Examiner—Martie K. Holtje

(74) *Attorney, Agent, or Firm*—Troxell Law Office PLLC

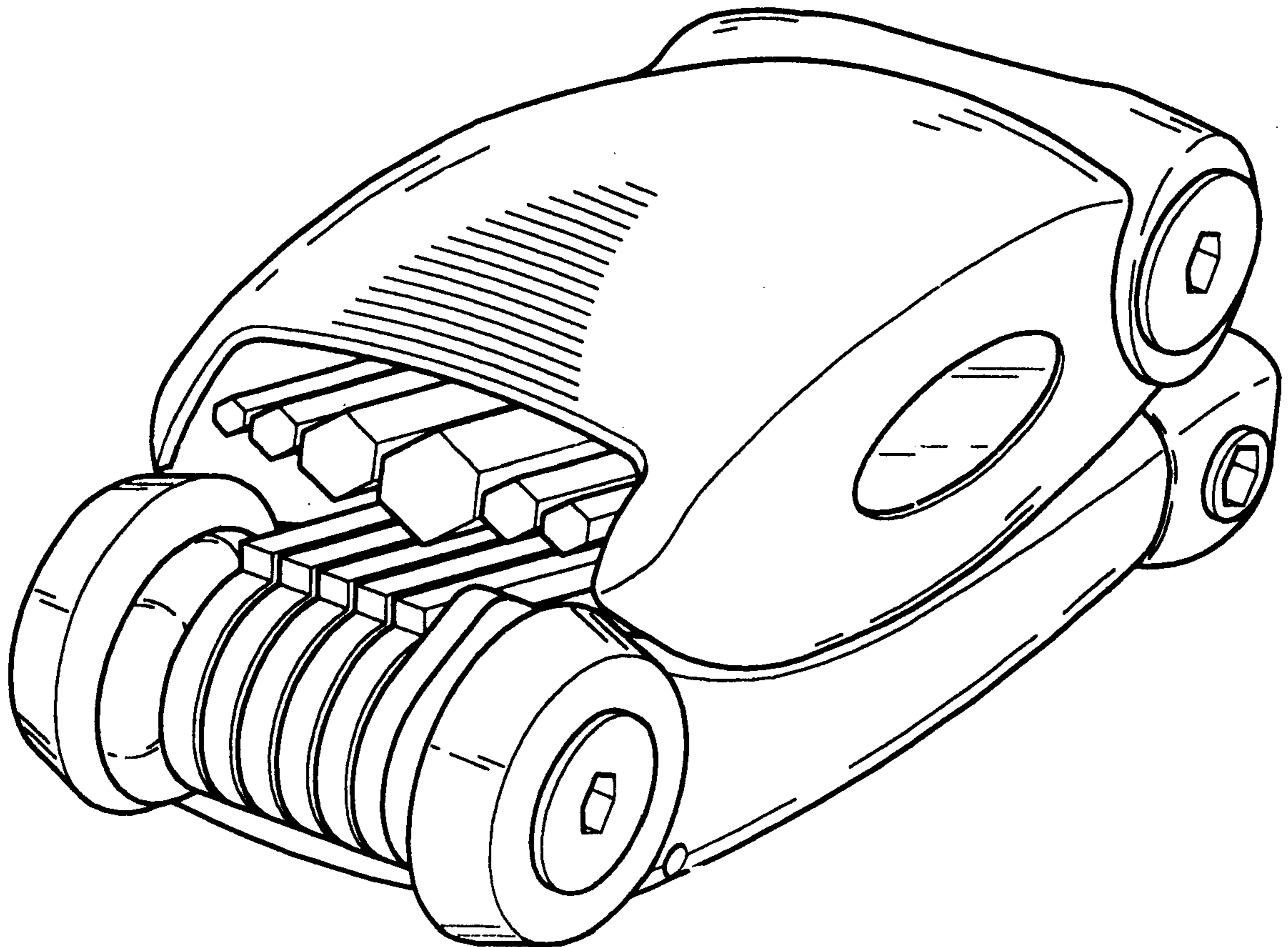
(57) **CLAIM**

The ornamental design for a multi-function tool, as shown and described.

DESCRIPTION

FIG. 1 is a front view of a multi-function tool showing my new design;
 FIG. 2 is a rear view thereof;
 FIG. 3 is a left view thereof;
 FIG. 4 is a right view thereof;
 FIG. 5 is a top view thereof;
 FIG. 6 is a bottom view thereof;
 FIG. 7 is a perspective view thereof; and,
 FIG. 8 is an exploded perspective view thereof showing two of the tool elements extended.

1 Claim, 5 Drawing Sheets



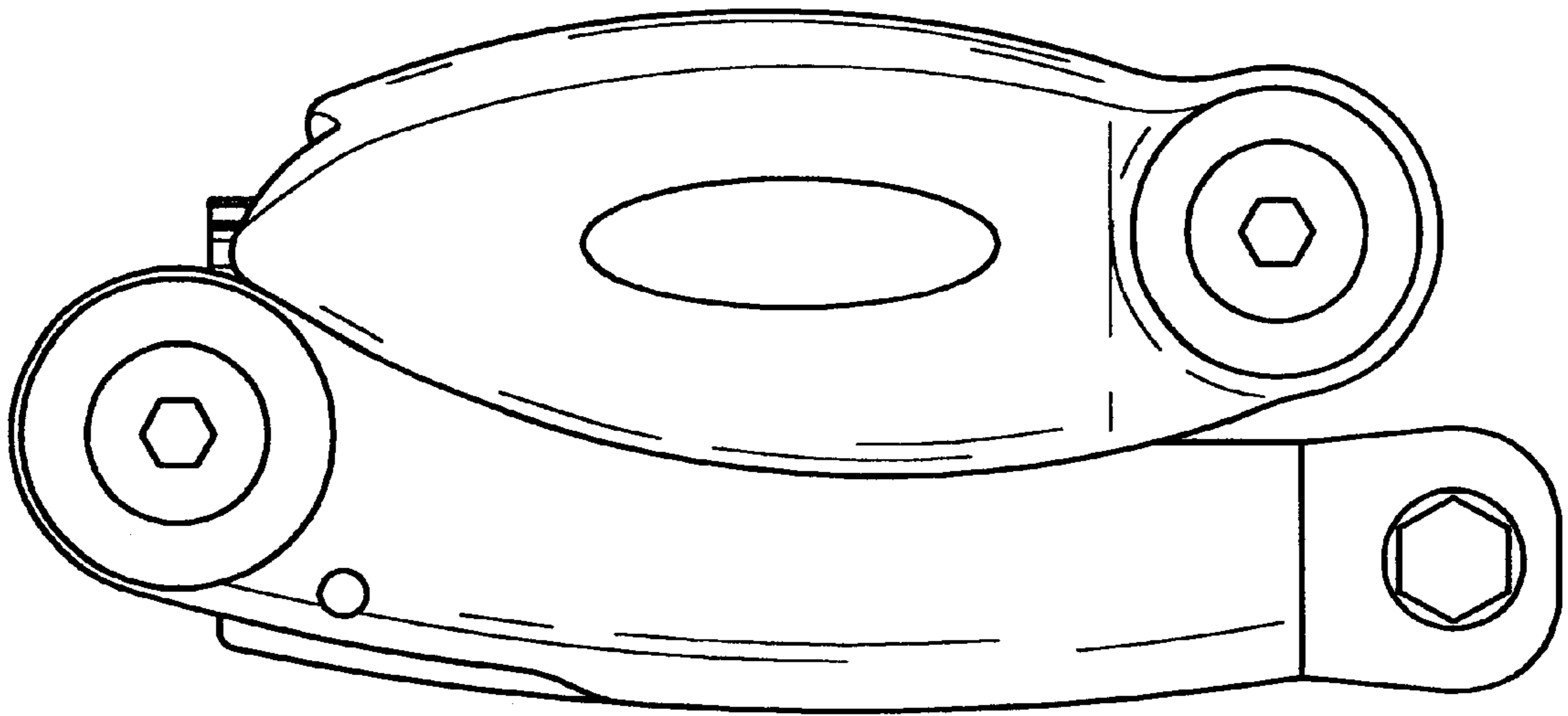


FIG1

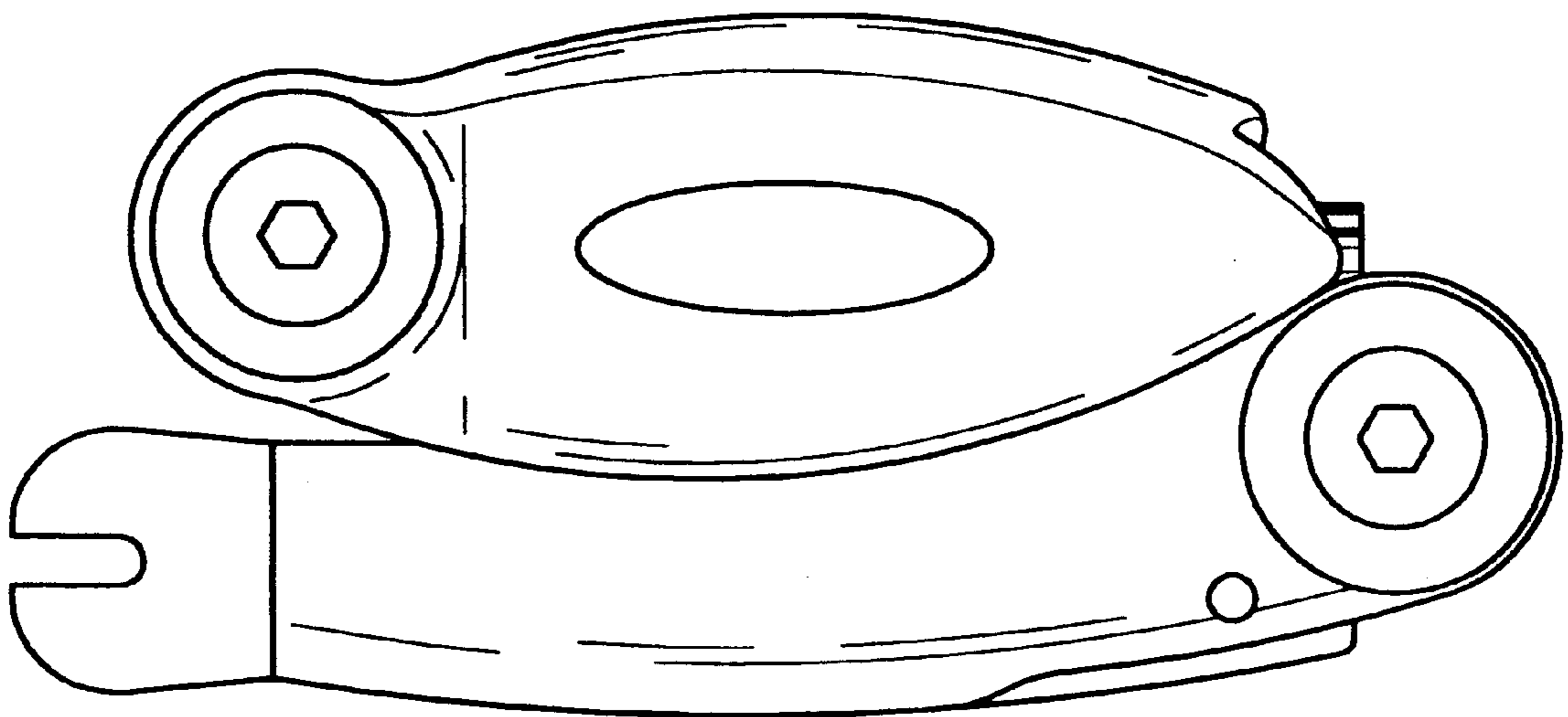


FIG2

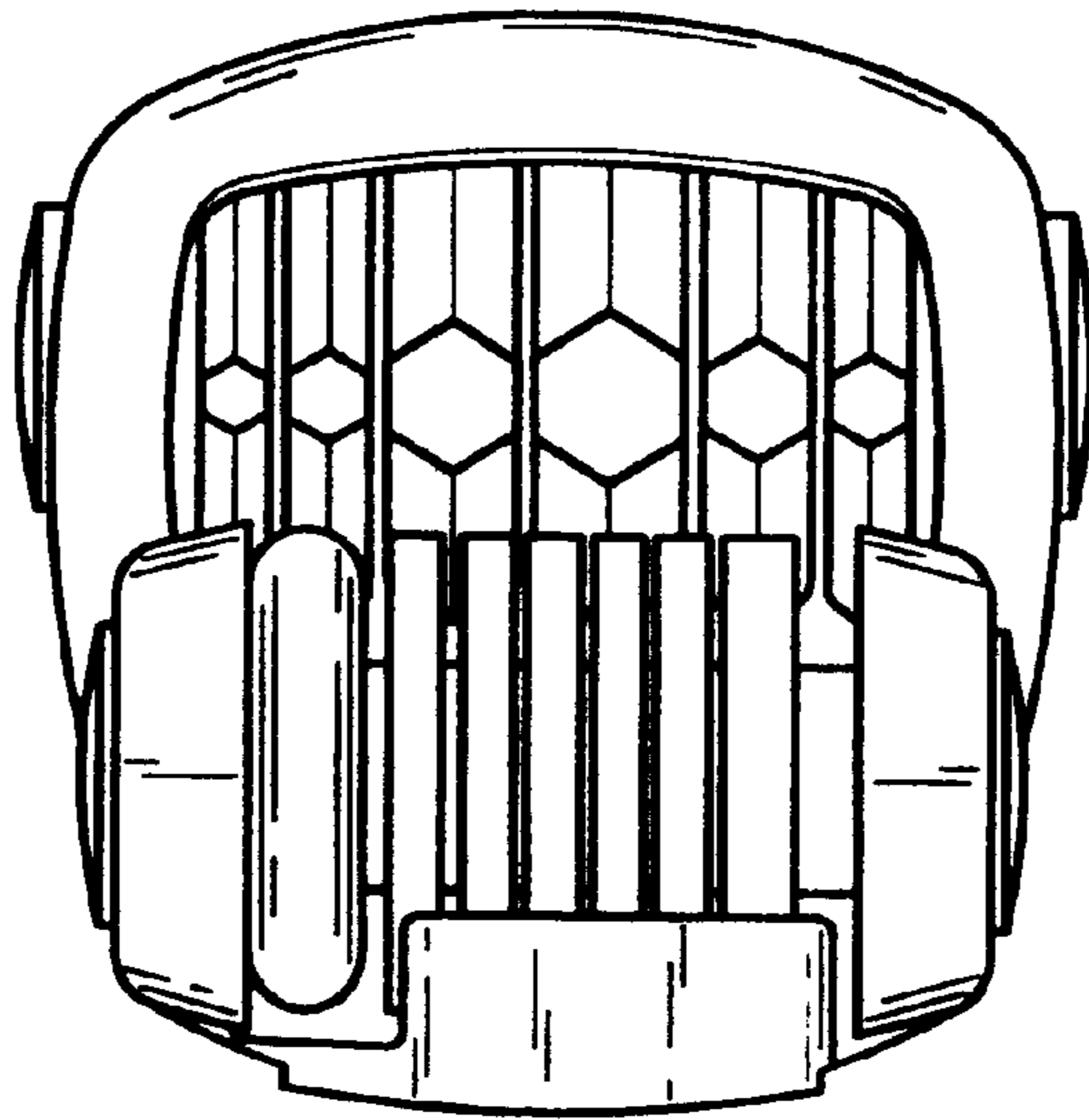


FIG3

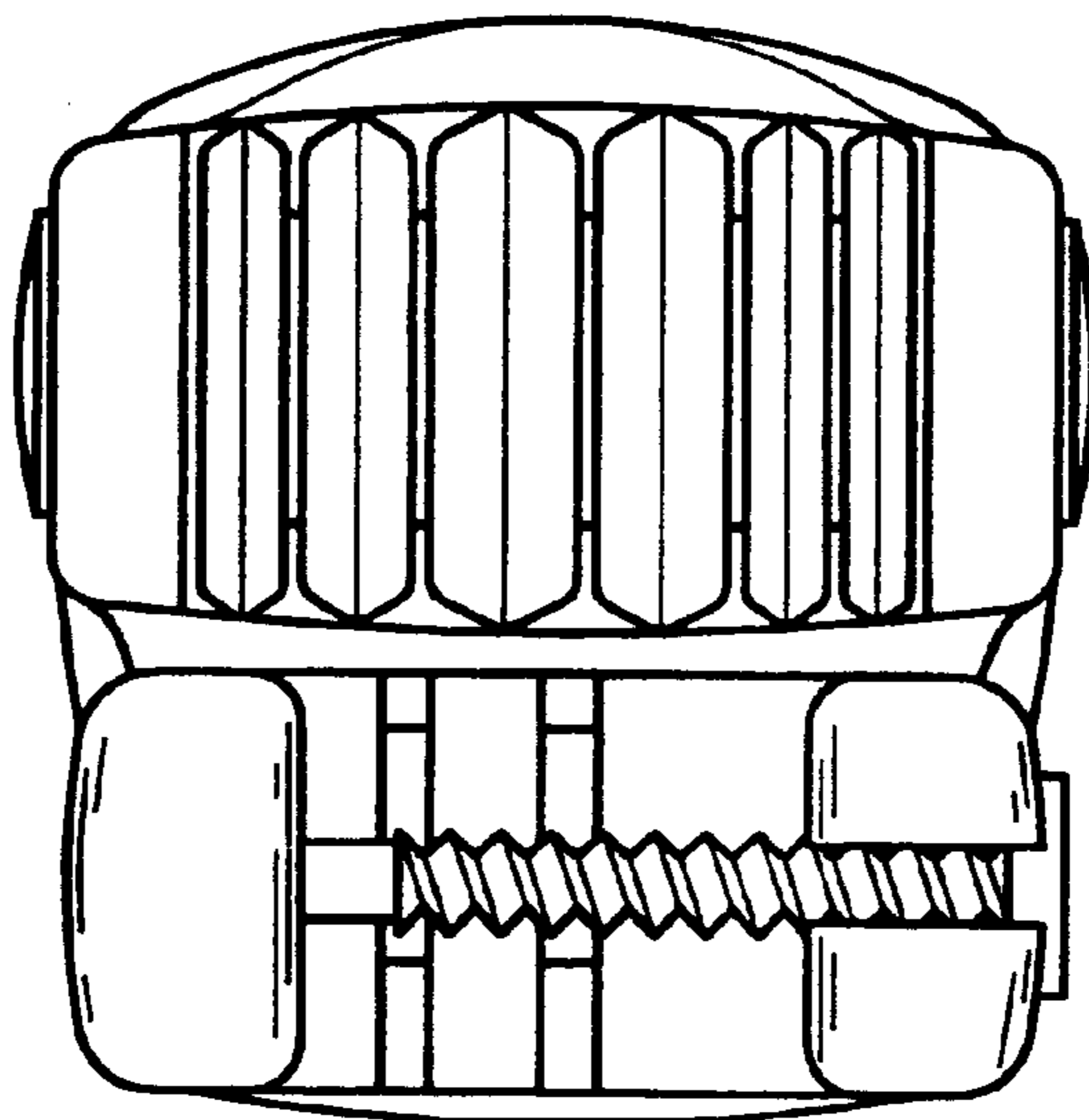


FIG4

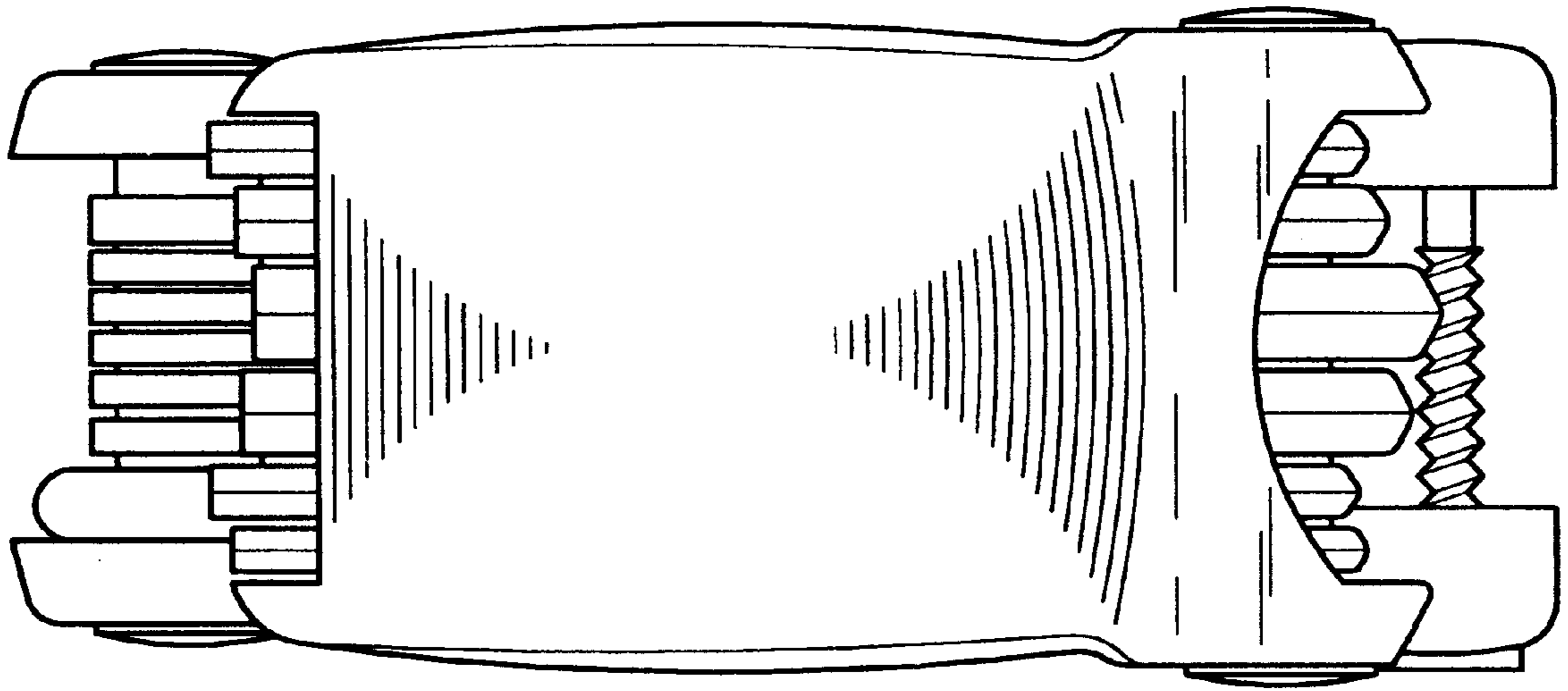


FIG5

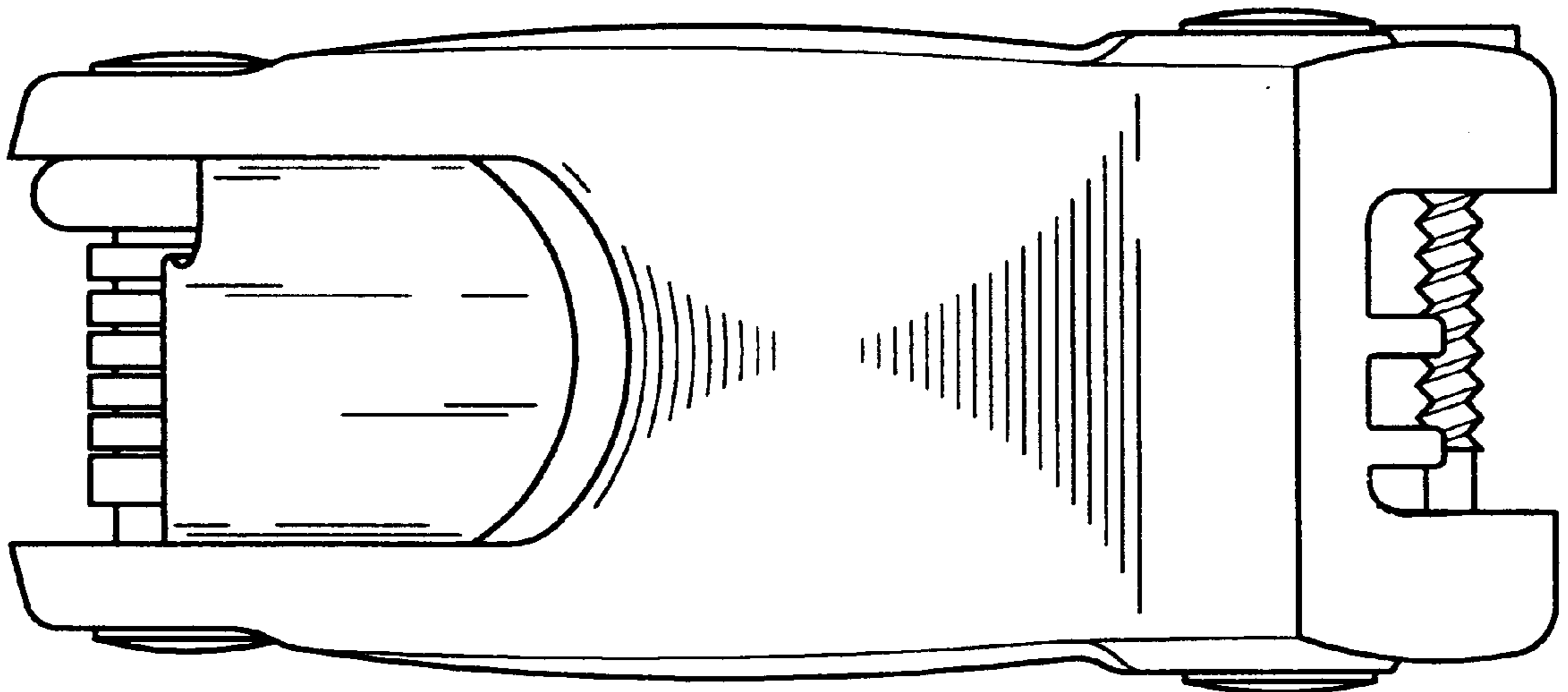


FIG6

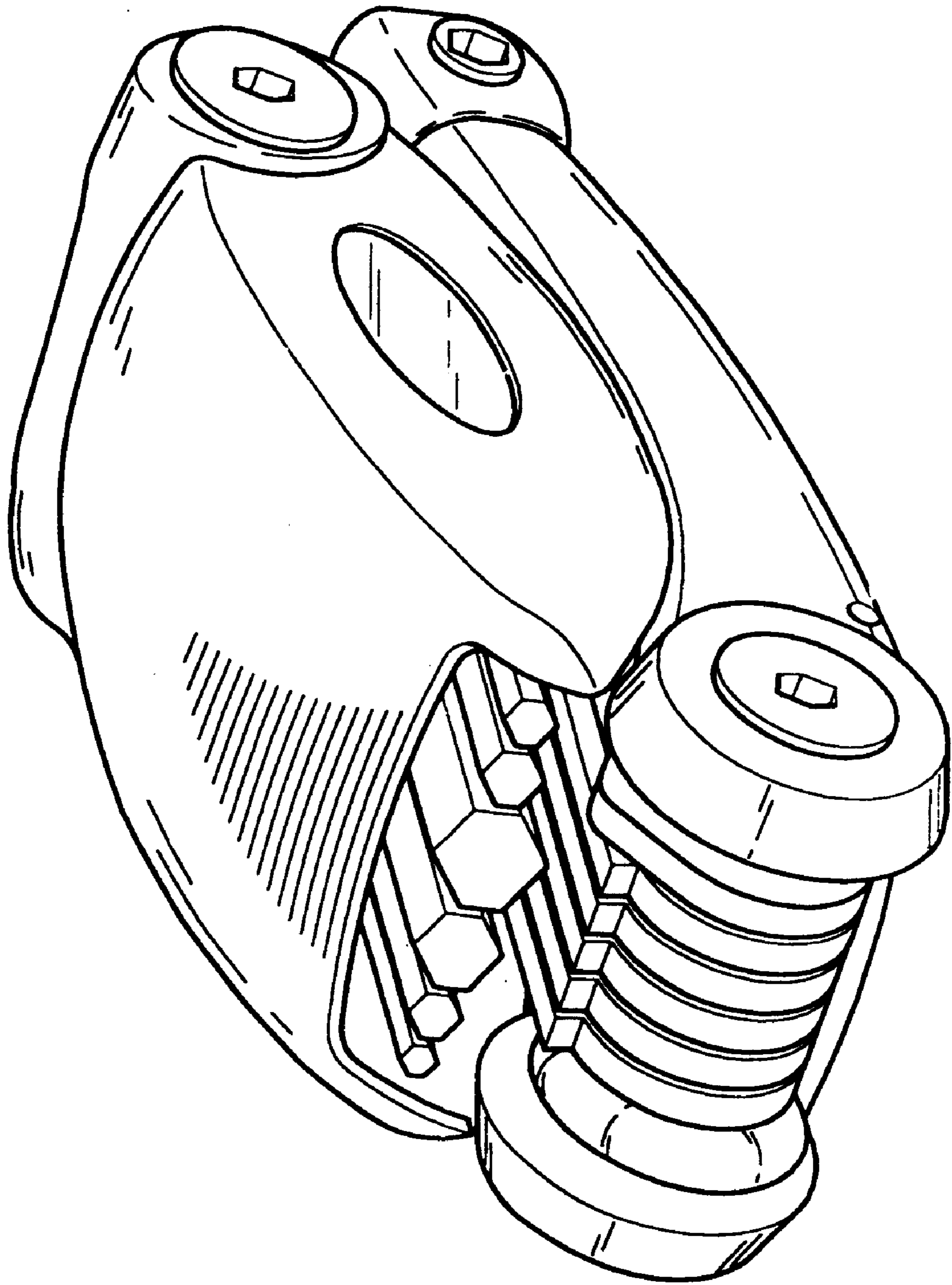


FIG7

FIG8

