



US00D455628S

(12) **United States Design Patent**
Douglas

(10) **Patent No.:** **US D455,628 S**

(45) **Date of Patent:** **** Apr. 16, 2002**

(54) **HACKSAW**

(75) **Inventor:** **Brian K. Douglas**, Enfield, CT (US)

(73) **Assignee:** **American Saw & Mfg. Company**, East Longmeadow, MA (US)

(**) **Term:** **14 Years**

(21) **Appl. No.:** **29/131,724**

(22) **Filed:** **Oct. 26, 2000**

(51) **LOC (7) Cl.** **08-03**

(52) **U.S. Cl.** **D8/96; D8/97**

(58) **Field of Search** D8/95, 96, 97,
D8/98, 99, 107; 30/506, 507, 508, 509,
511, 513, 517, 522

(56) **References Cited**

U.S. PATENT DOCUMENTS

1,174,893	A	*	3/1916	Page	
2,645,261	A	*	7/1953	Swanstrom	30/513
D204,726	S	*	5/1966	David	D8/96
D205,176	S	*	6/1966	Reuterfors	D8/96
D214,827	S	*	8/1969	Jacoff	D8/96
3,821,974	A	*	7/1974	Merrow	30/513
4,680,863	A	*	7/1987	Duffy	30/511
4,827,619	A	*	5/1989	Alm	30/507
D305,296	S	*	1/1990	Nelson	D8/96
5,044,083	A	*	9/1991	DeCarolis et al.	30/510
D321,119	S	*	10/1991	Ciccone, III et al.	D8/97

5,063,675	A	*	11/1991	Michas et al.	30/513
D333,249	S	*	2/1993	Ciccone, III et al.	D8/97
D333,250	S	*	2/1993	Ciccone, III et al.	D8/97
D359,436	S	*	6/1995	Weimann	D8/97
5,590,473	A	*	1/1997	Wang	30/512
D403,224	S	*	12/1998	Martin et al.	D8/96
D426,445	S	*	6/2000	Hausler	D8/97
D428,321	S	*	7/2000	Ranieri et al.	D8/96

* cited by examiner

Primary Examiner—Philip S. Hyder

(74) *Attorney, Agent, or Firm*—Cummings & Lockwood

(57) **CLAIM**

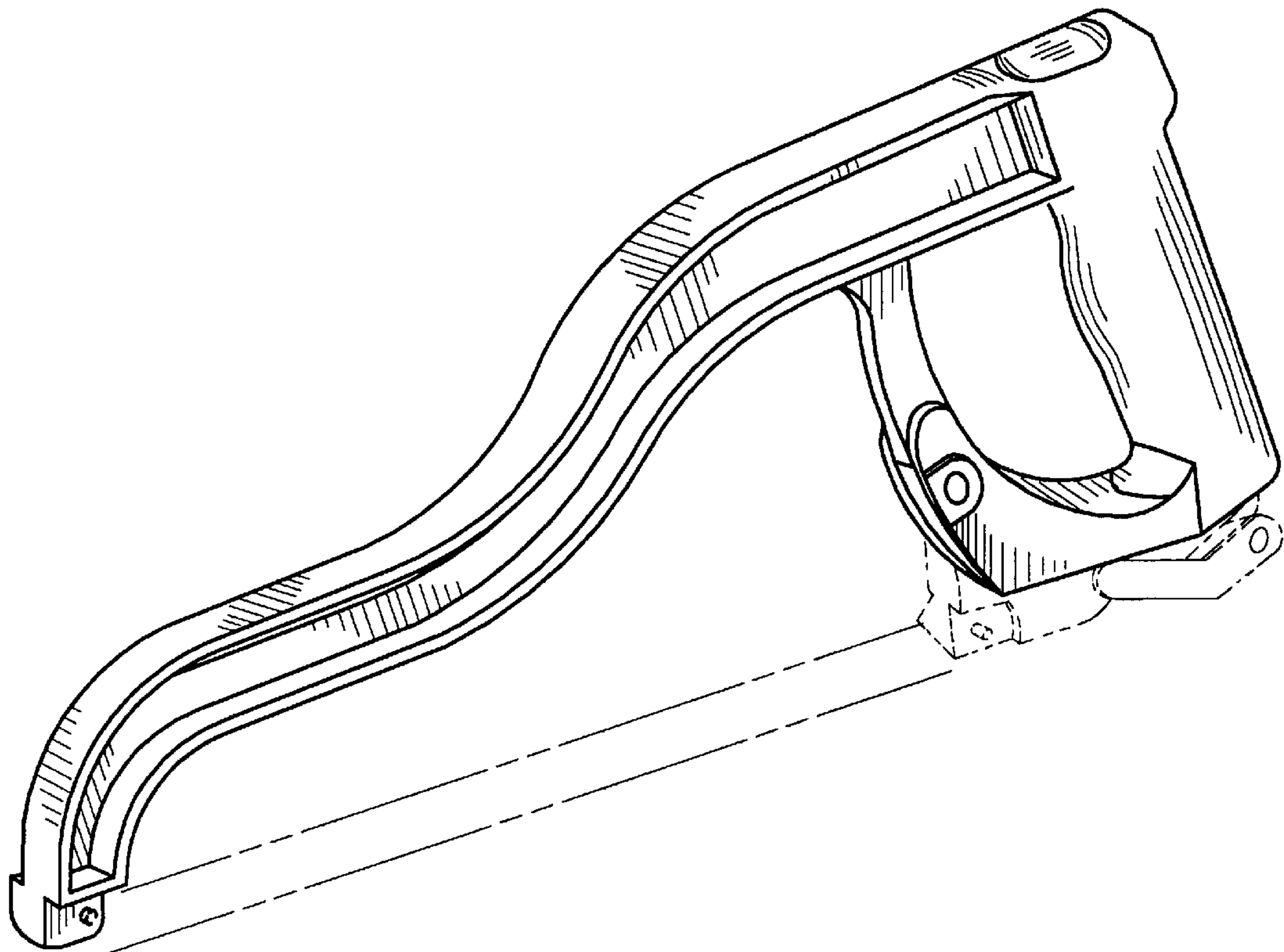
The ornamental design for a hacksaw, as shown and described.

DESCRIPTION

FIG. 1 is a perspective view of a first embodiment of a hacksaw showing our new design;
 FIG. 2 is a left side elevational view thereof;
 FIG. 3 is a right side elevational view thereof;
 FIG. 4 is a front elevational view thereof;
 FIG. 5 is a rear elevational view thereof;
 FIG. 6 is a bottom plan view thereof; and,
 FIG. 7 is a top plan view thereof.

The broken lines shown in the drawing figures are for illustrative purposes only and form no part of the claimed design.

1 Claim, 5 Drawing Sheets



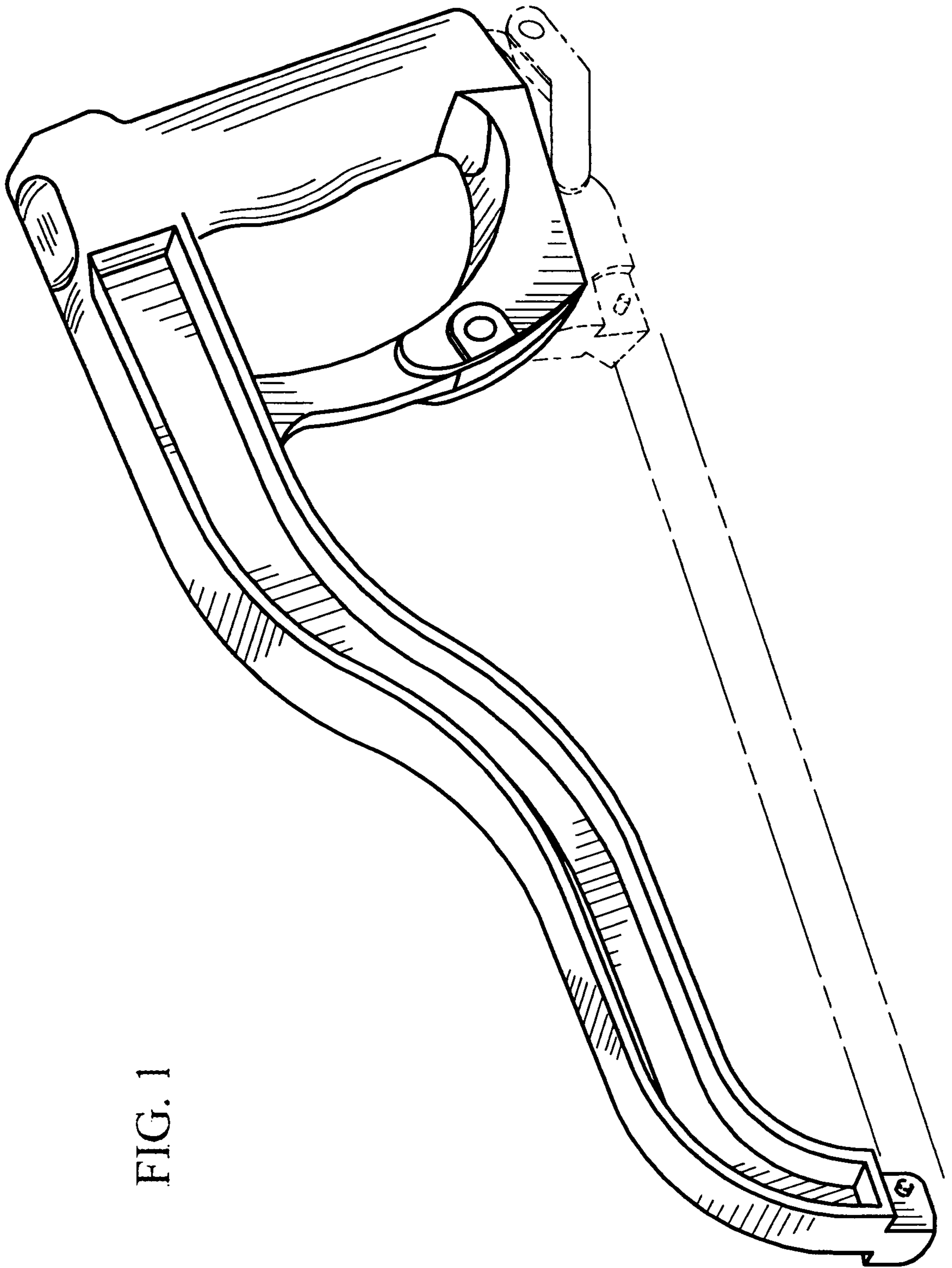


FIG. 1

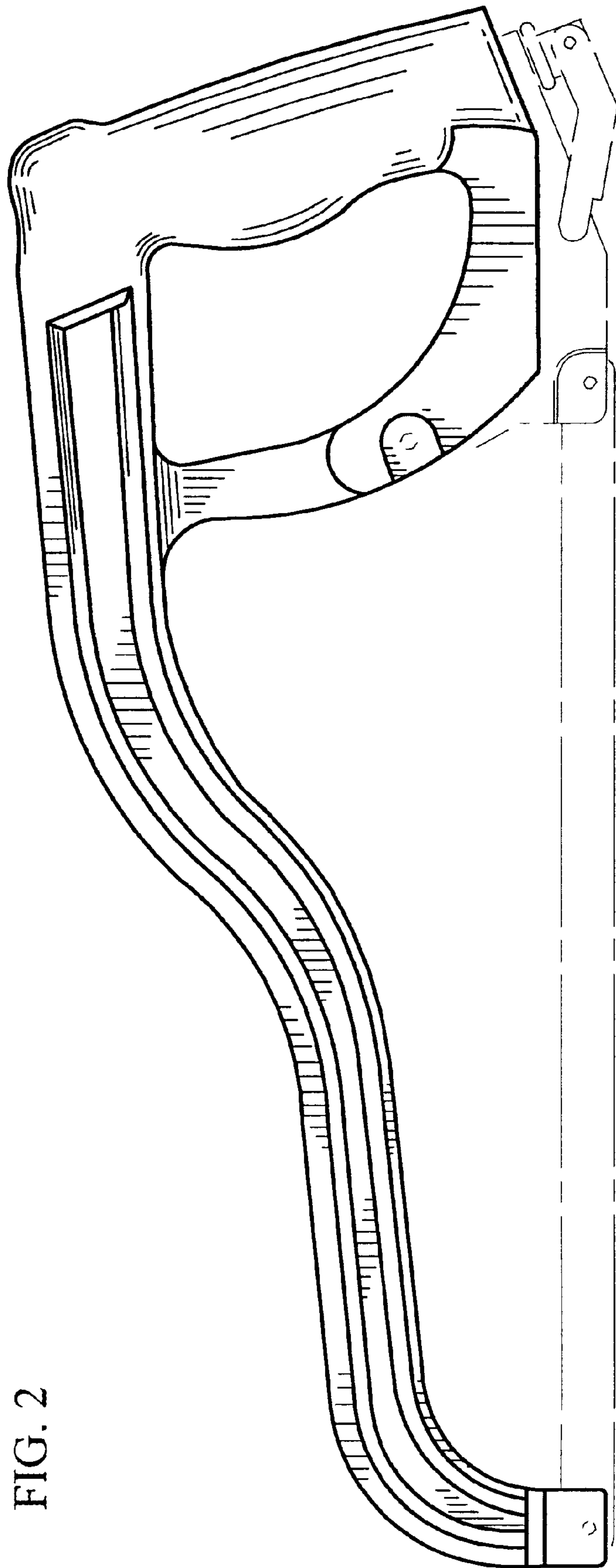


FIG. 2

FIG. 3

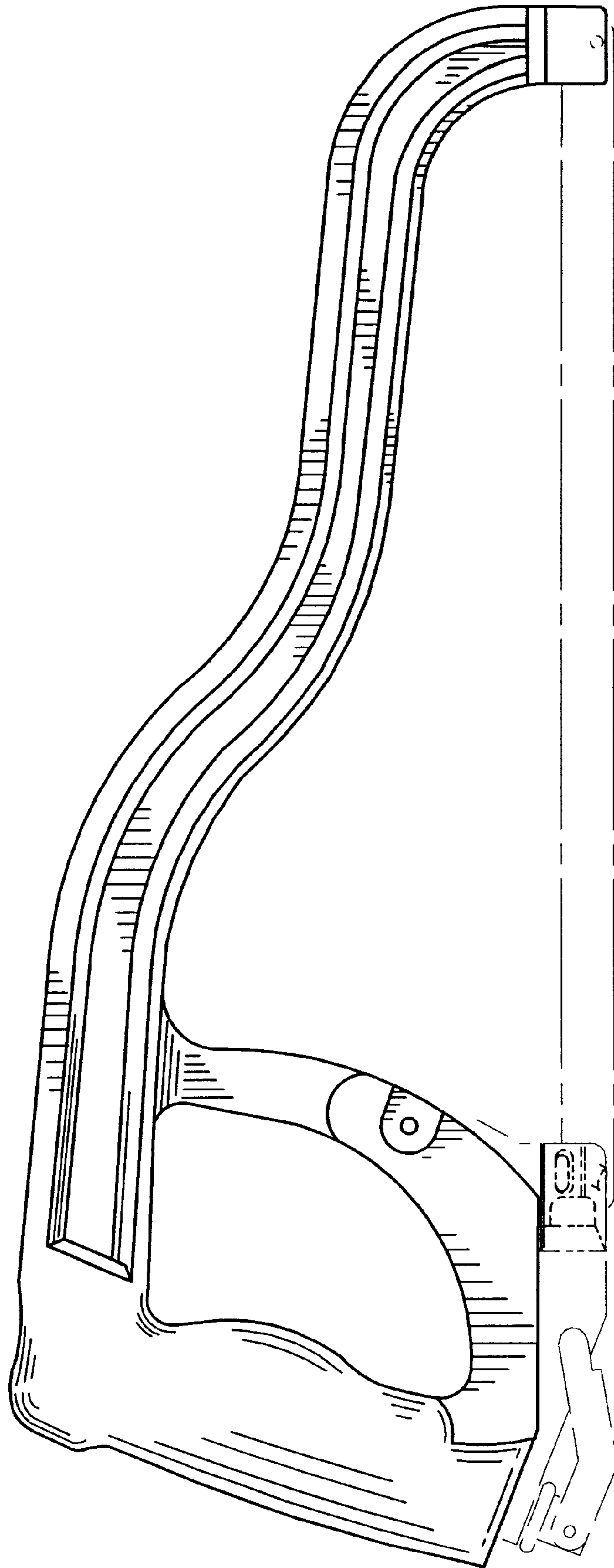


FIG. 4

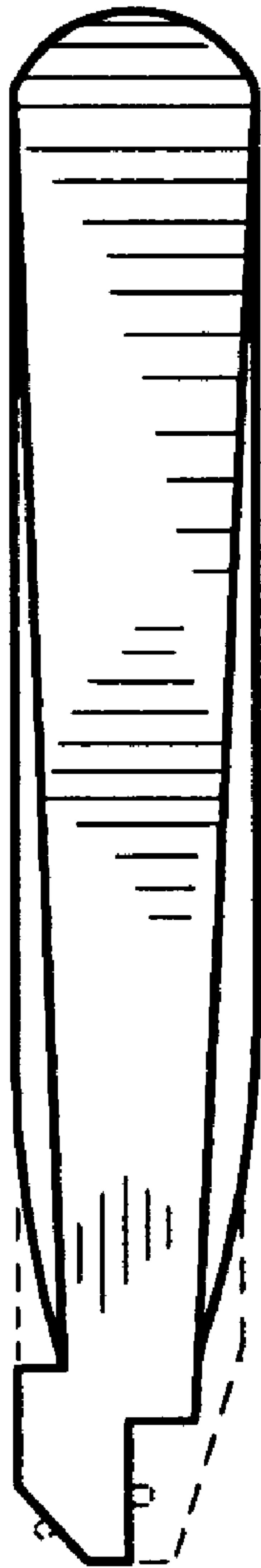


FIG. 5

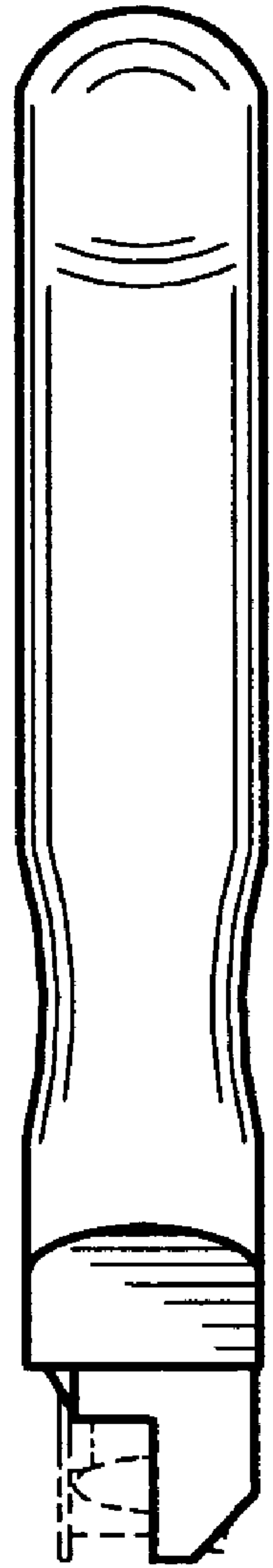


FIG. 6

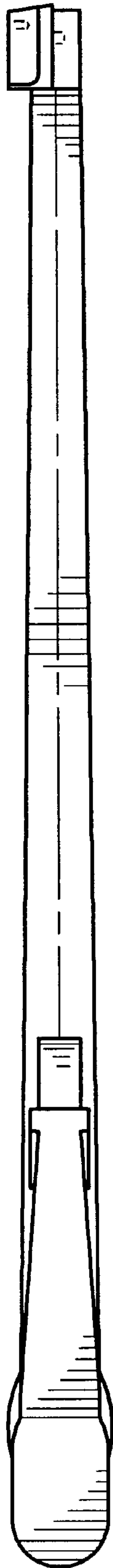


FIG. 7

