



US00D455626S

(12) **United States Design Patent**
Chen

(10) **Patent No.:** **US D455,626 S**

(45) **Date of Patent:** **** Apr. 16, 2002**

(54) **HAMMER**

(76) **Inventor:** **John Chen**, 2Fl.-1, No. 51, Sec. 3,
Chung-Young Rd., Lung-Jing Country,
Taichung Hsien (TW)

(**) **Term:** **14 Years**

(21) **Appl. No.:** **29/135,529**

(22) **Filed:** **Jan. 11, 2001**

(51) **LOC (7) Cl.** **08-02**

(52) **U.S. Cl.** **D8/78; D8/75**

(58) **Field of Search** D8/75, 76, 77,
D8/78, 79, 80, 81; 81/19, 20, 21, 22, 23,
24

(56) **References Cited**

U.S. PATENT DOCUMENTS

D322,021 S	*	12/1991	Hsu	D8/75
D325,863 S	*	5/1992	Chen	D8/75
5,845,364 A	*	12/1998	Chen	81/177.1
D416,462 S	*	11/1999	Pringle et al.	D8/75

D426,128 S	*	6/2000	Lamond et al.	D8/75
D431,988 S	*	10/2000	Staton	D8/75
D436,821 S	*	1/2001	Douglas et al.	D8/75
D439,488 S	*	3/2001	Chen	D8/78

* cited by examiner

Primary Examiner—Philip S. Hyder

(74) *Attorney, Agent, or Firm*—Ladas & Parry

(57) **CLAIM**

The ornamental design for a hammer, as shown.

DESCRIPTION

FIG. 1 is a front, rear perspective view of a hammer according to the present design;
FIG. 2 is a front elevational view of the present design;
FIG. 3 is a rear elevational view of the present design;
FIG. 4 is a top view of the present design;
FIG. 5 is a bottom view of the present design;
FIG. 6 is a left side view of the present design; and,
FIG. 7 is a right side view of the present design.

1 Claim, 6 Drawing Sheets

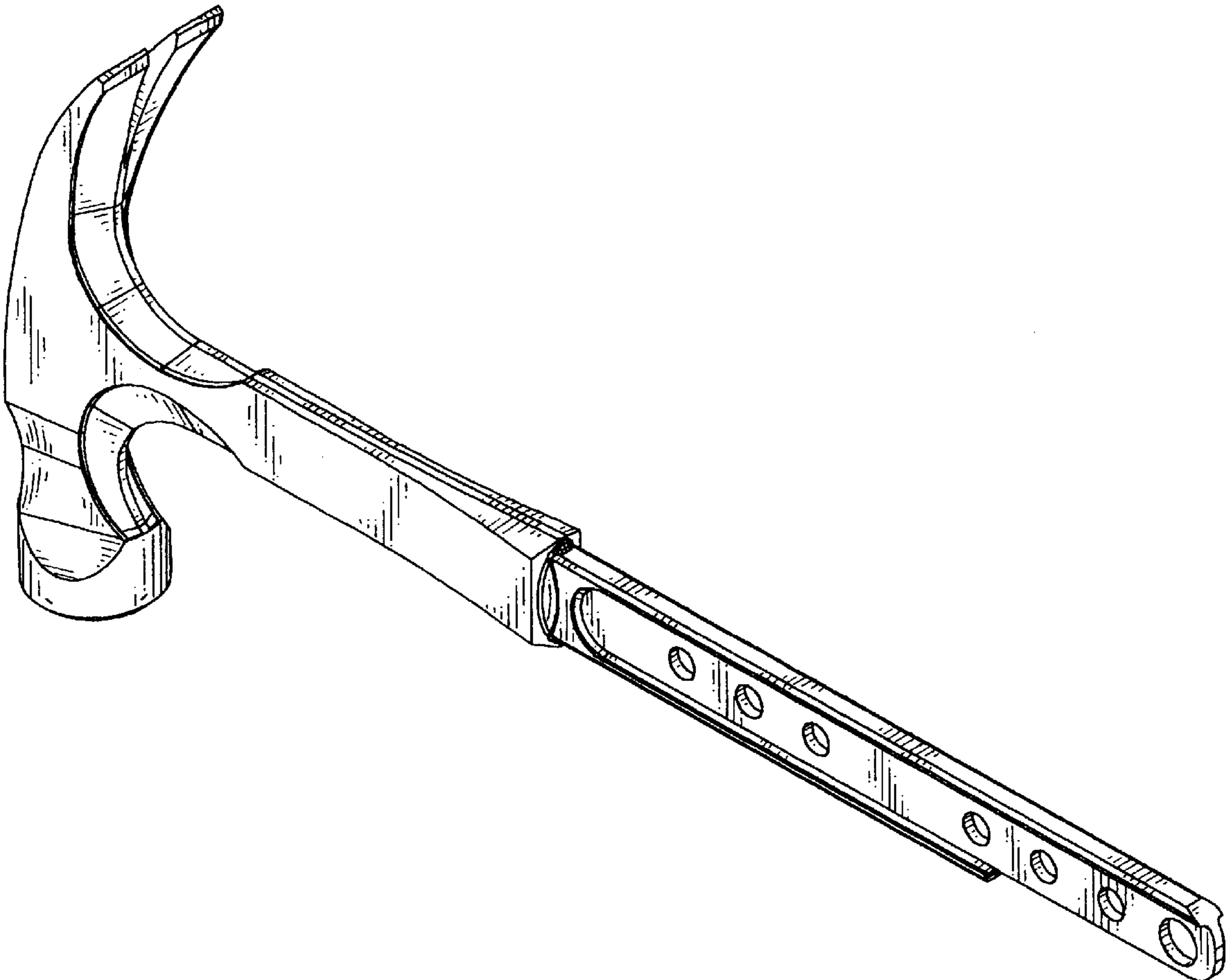




FIG.1

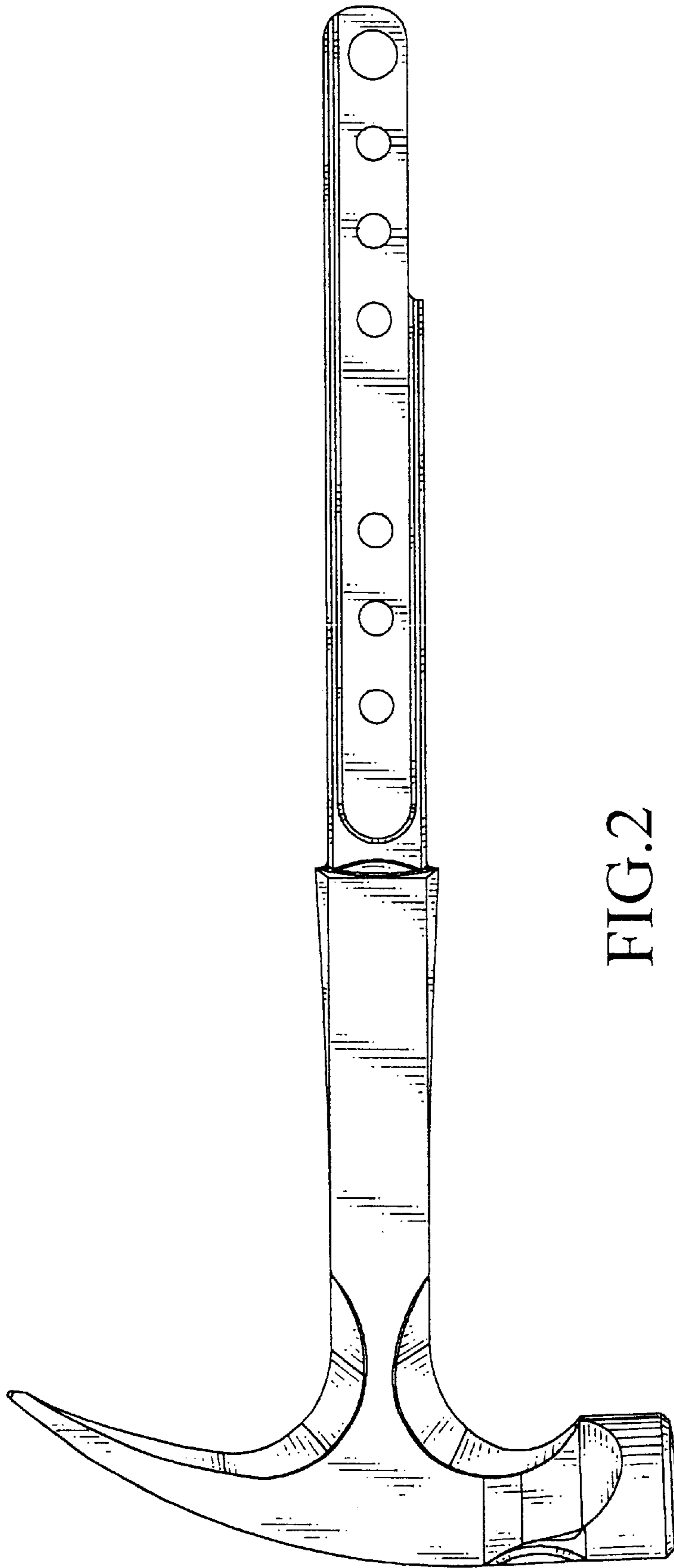


FIG. 2

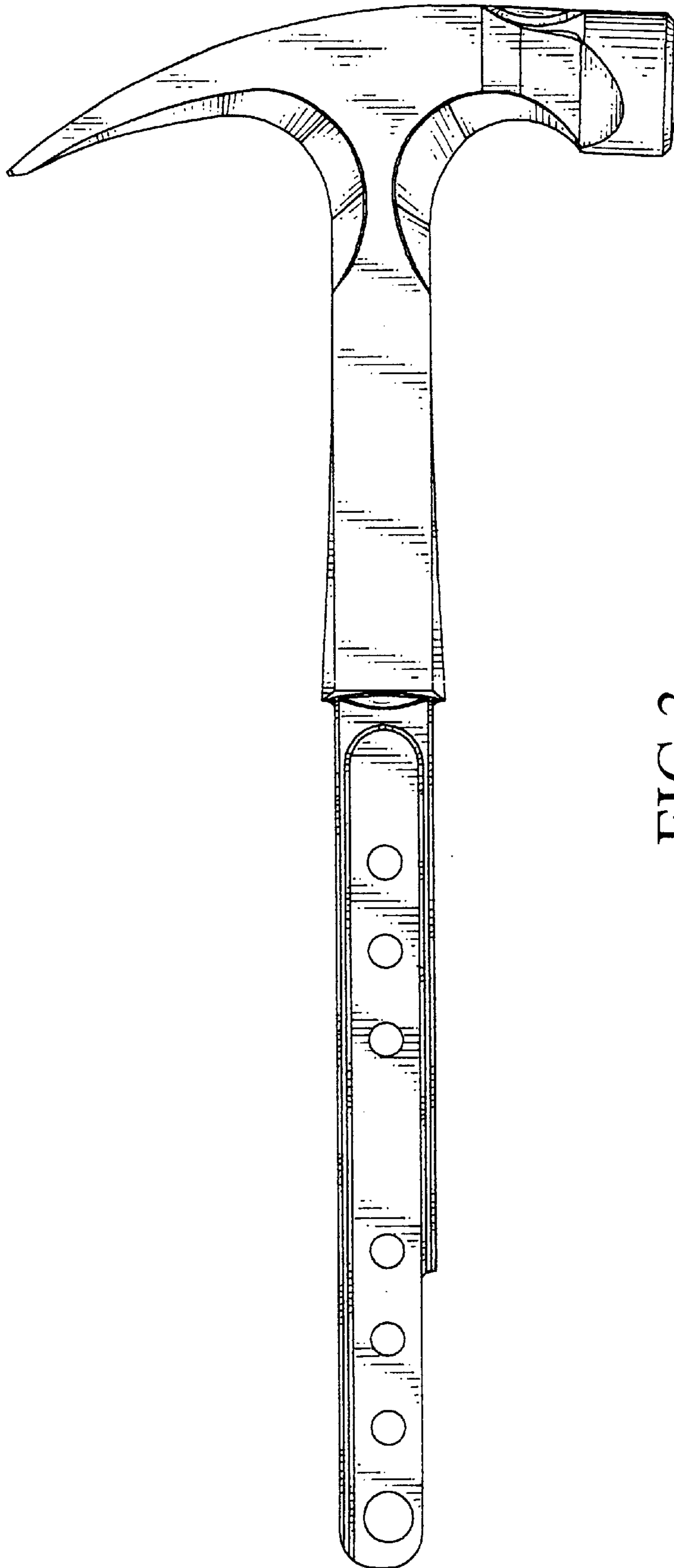


FIG. 3

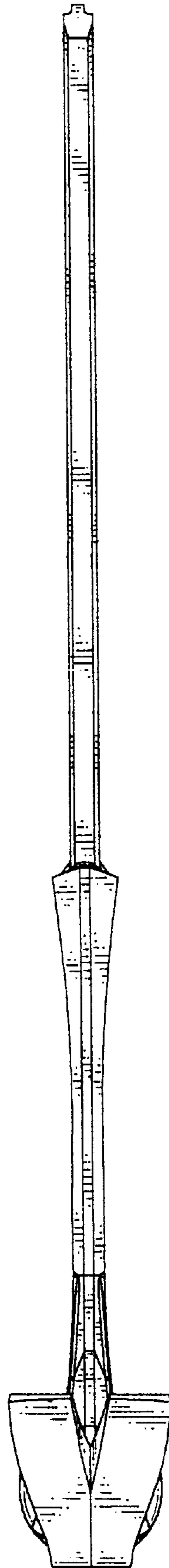


FIG.4

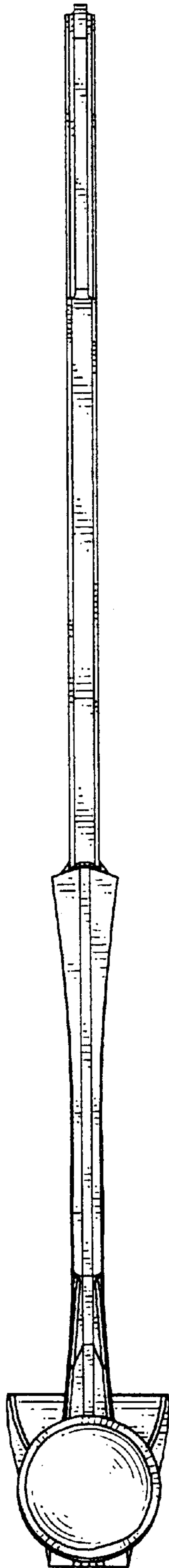


FIG. 5

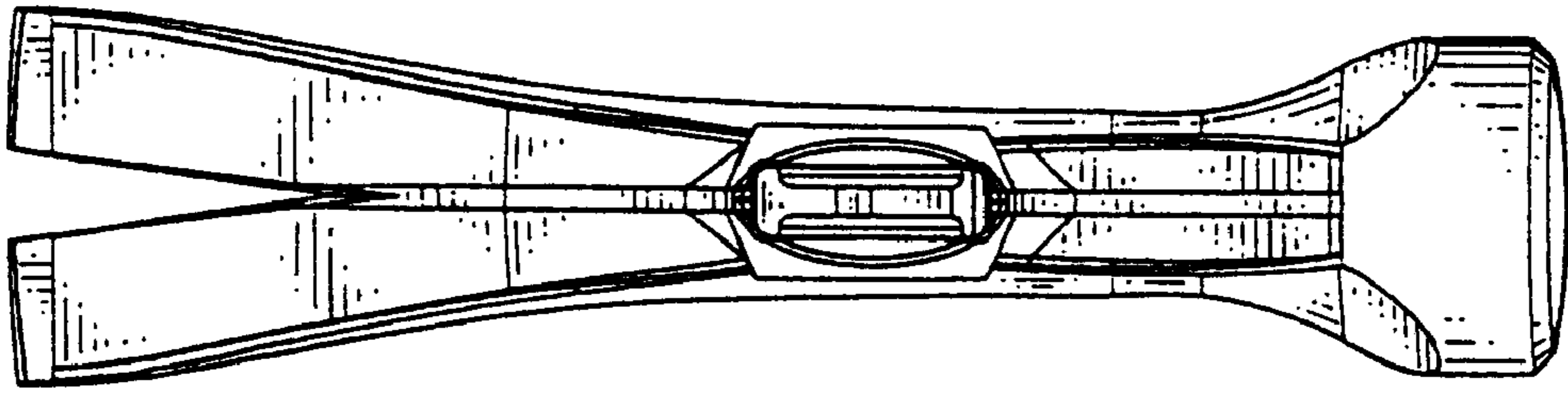


FIG. 7

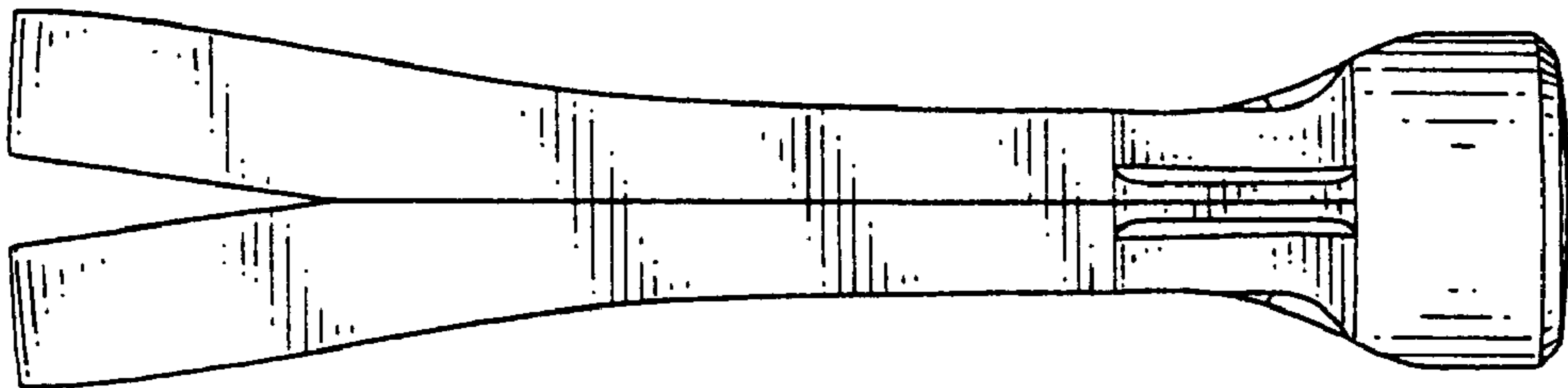


FIG. 6