



US00D455624S

(12) **United States Design Patent**
Wright

(10) **Patent No.:** **US D455,624 S**

(45) **Date of Patent:** **** Apr. 16, 2002**

(54) **POWER SAW**

(75) Inventor: **Stuart J. Wright**, Timonium, MD (US)

(73) Assignee: **Black & Decker Inc.**, Towson, MD (US)

(**) Term: **14 Years**

(21) Appl. No.: **29/106,775**

(22) Filed: **Jun. 22, 1999**

(30) **Foreign Application Priority Data**

Dec. 23, 1998 (GB) 2080023
Dec. 23, 1998 (GB) 2080024

(51) **LOC (7) Cl.** **08-03**

(52) **U.S. Cl.** **D8/64**

(58) **Field of Search** D8/61, 62, 70,
D8/82, 83, 86, 107, DIG. 7; 74/49, 50;
30/164, 178, 391, 392, 393, 272.1; D7/646;
320/111, 113

(56) **References Cited**

U.S. PATENT DOCUMENTS

D208,083 S	*	7/1967	Roselle	D8/69
3,973,179 A	*	8/1976	Weber et al.	320/113
4,084,123 A	*	4/1978	Lineback et al.	320/111
D326,043 S	*	5/1992	Hasegawa et al.	D8/68
D396,782 S	*	8/1998	Lallemand	D7/646
D413,242 S	*	8/1999	Robson	D8/62
D413,244 S	*	8/1999	Robson	D8/69
D420,267 S	*	2/2000	Robson	D8/61

* cited by examiner

Primary Examiner—Martie K. Holtje
(74) *Attorney, Agent, or Firm*—The Black & Decker Corporation

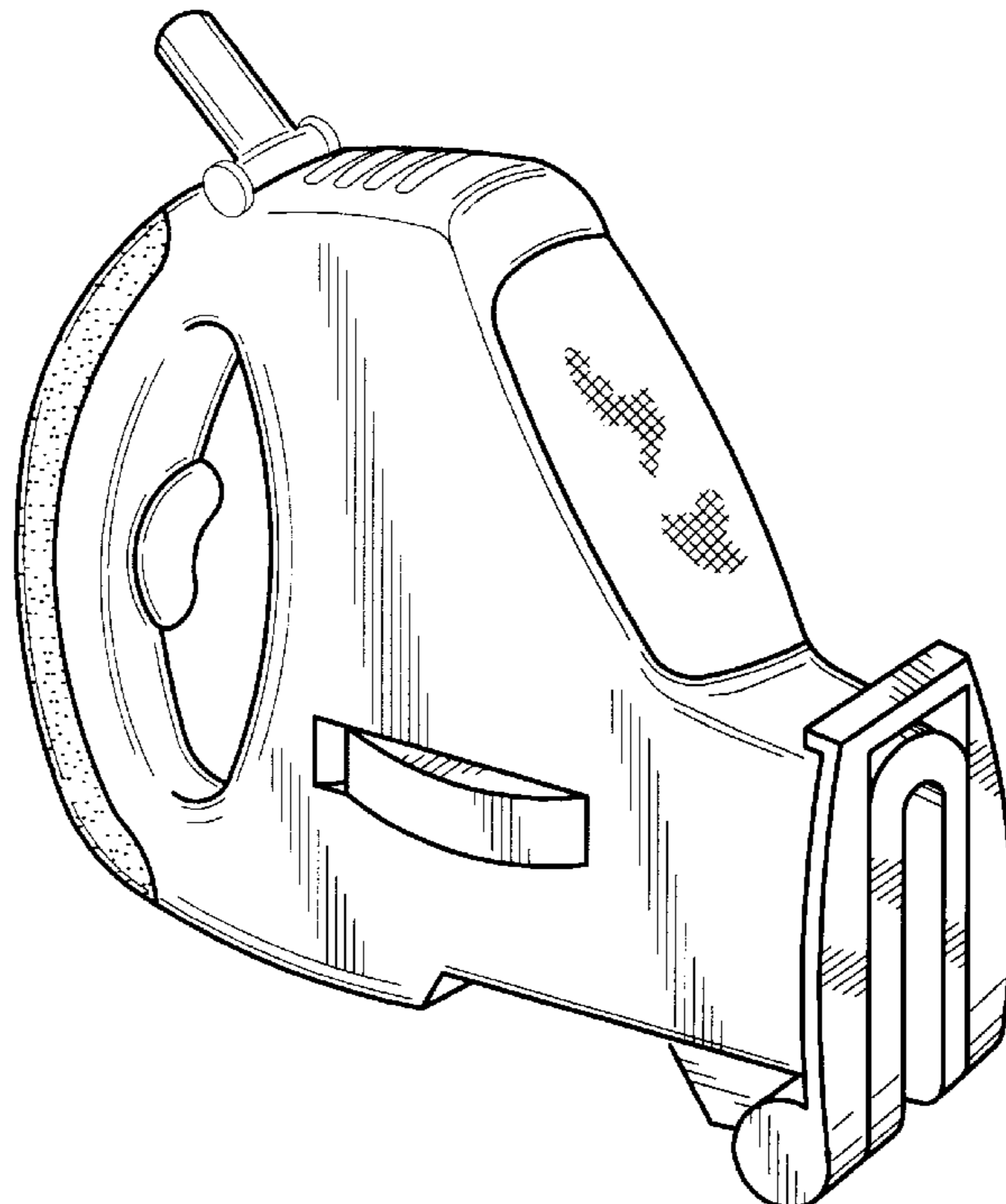
(57) **CLAIM**

The ornamental design for a power saw, as shown and described.

DESCRIPTION

FIG. 1 is a front perspective view of a power saw in accordance with the present invention.
 FIG. 2 is a left side elevation view of the power saw of FIG. 1.
 FIG. 3 is a right side elevation view of the power saw of FIG. 1.
 FIG. 4 is a front elevation view of the power saw of FIG. 1.
 FIG. 5 is a rear elevation view of the power saw of FIG. 1.
 FIG. 6 is a top elevation view of the power saw of FIG. 1.
 FIG. 7 is a bottom elevation view of the power saw of FIG. 1.
 FIG. 8 is a front perspective view like FIG. 1 with the base plate pivoted to a second position.
 FIG. 9 is a left side elevation view of the power saw of FIG. 8.
 FIG. 10 is a right elevation view of the power saw of FIG. 8.
 FIG. 11 is a front elevation view of the power saw of FIG. 8.
 FIG. 12 is a rear elevation view of the power saw of FIG. 8.
 FIG. 13 is a top elevation view of the power saw of FIG. 8; and,
 FIG. 14 is a bottom elevation view of the power saw of FIG. 8.

1 Claim, 8 Drawing Sheets



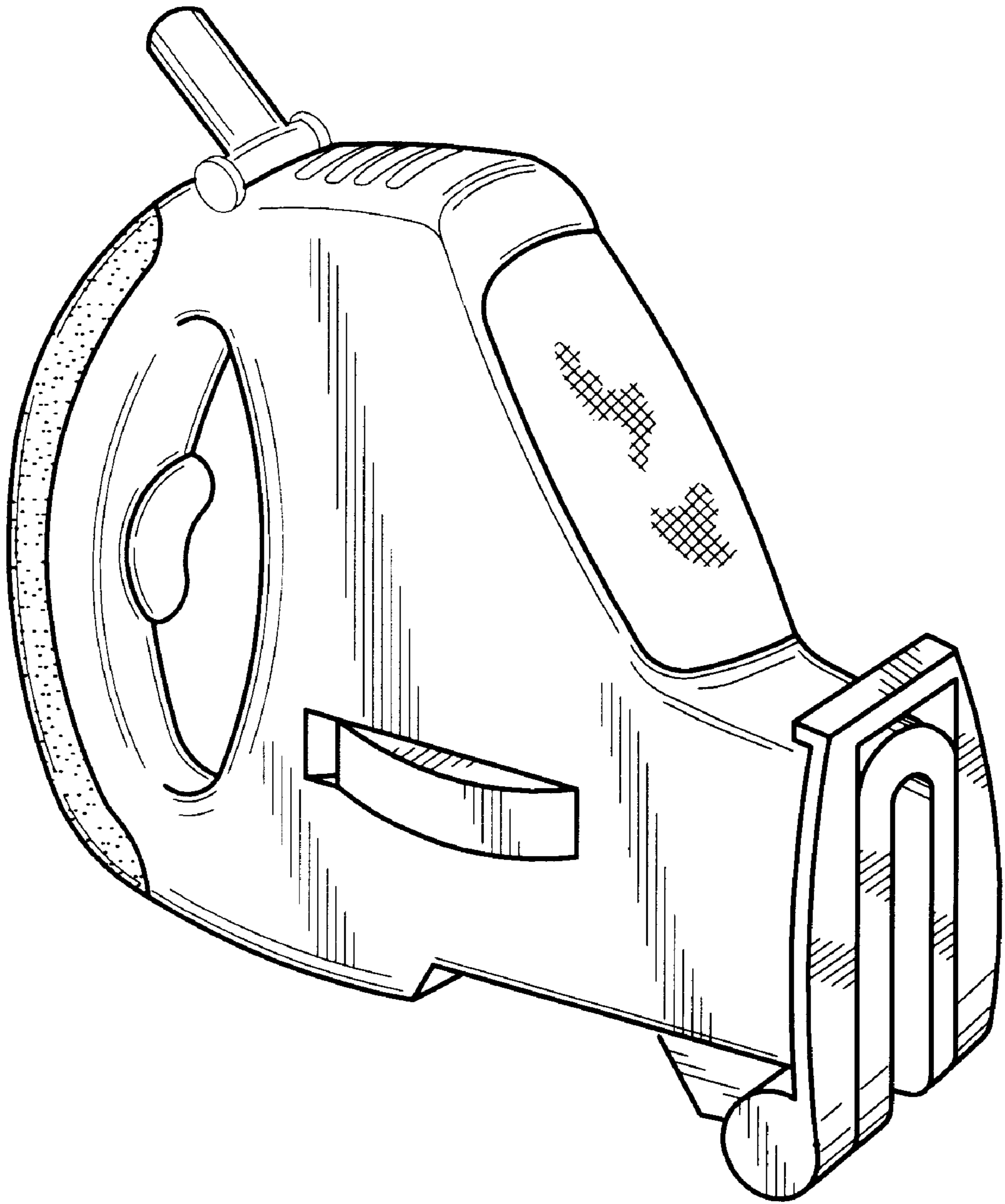


Figure - 1

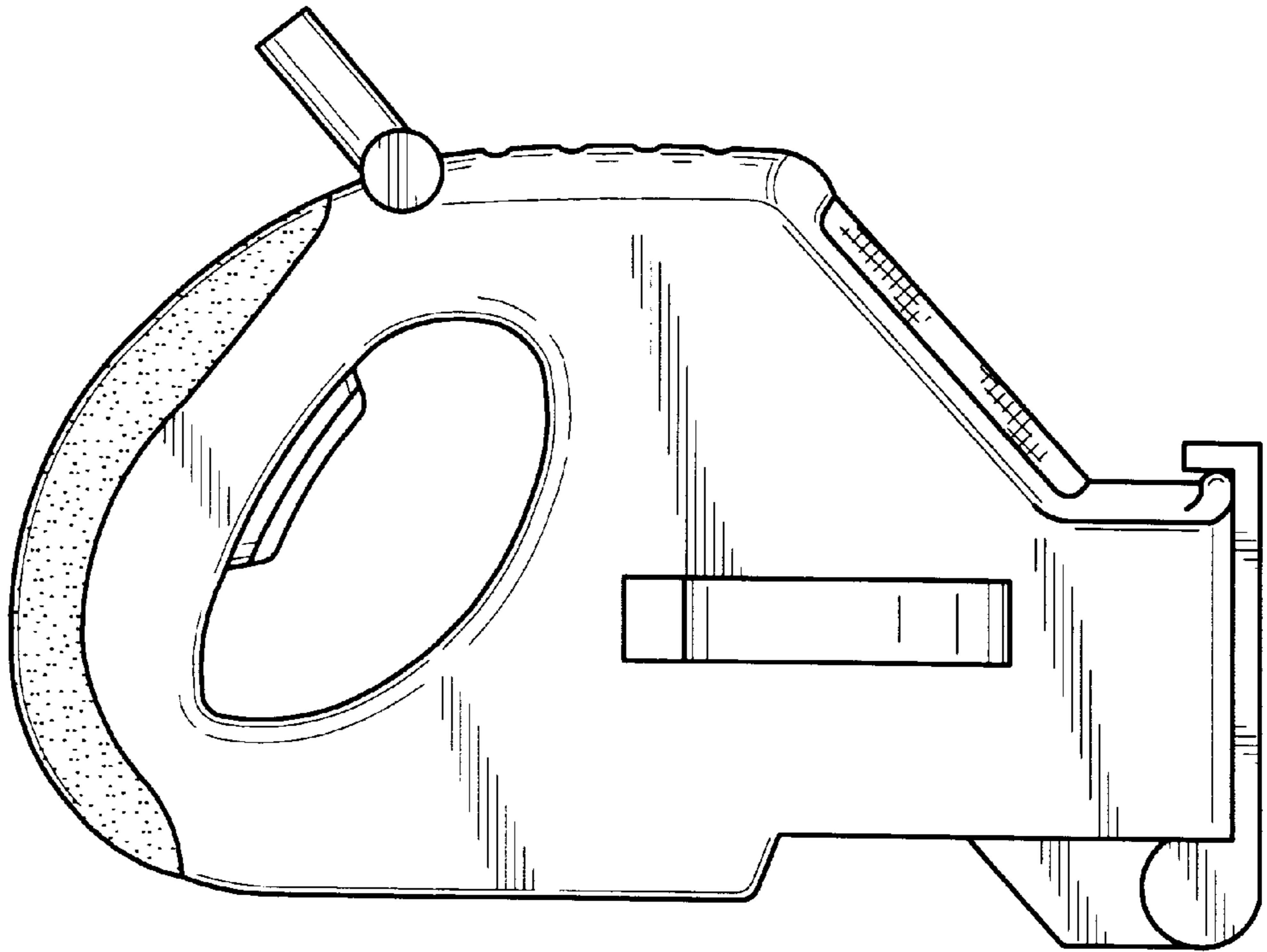


Figure - 2

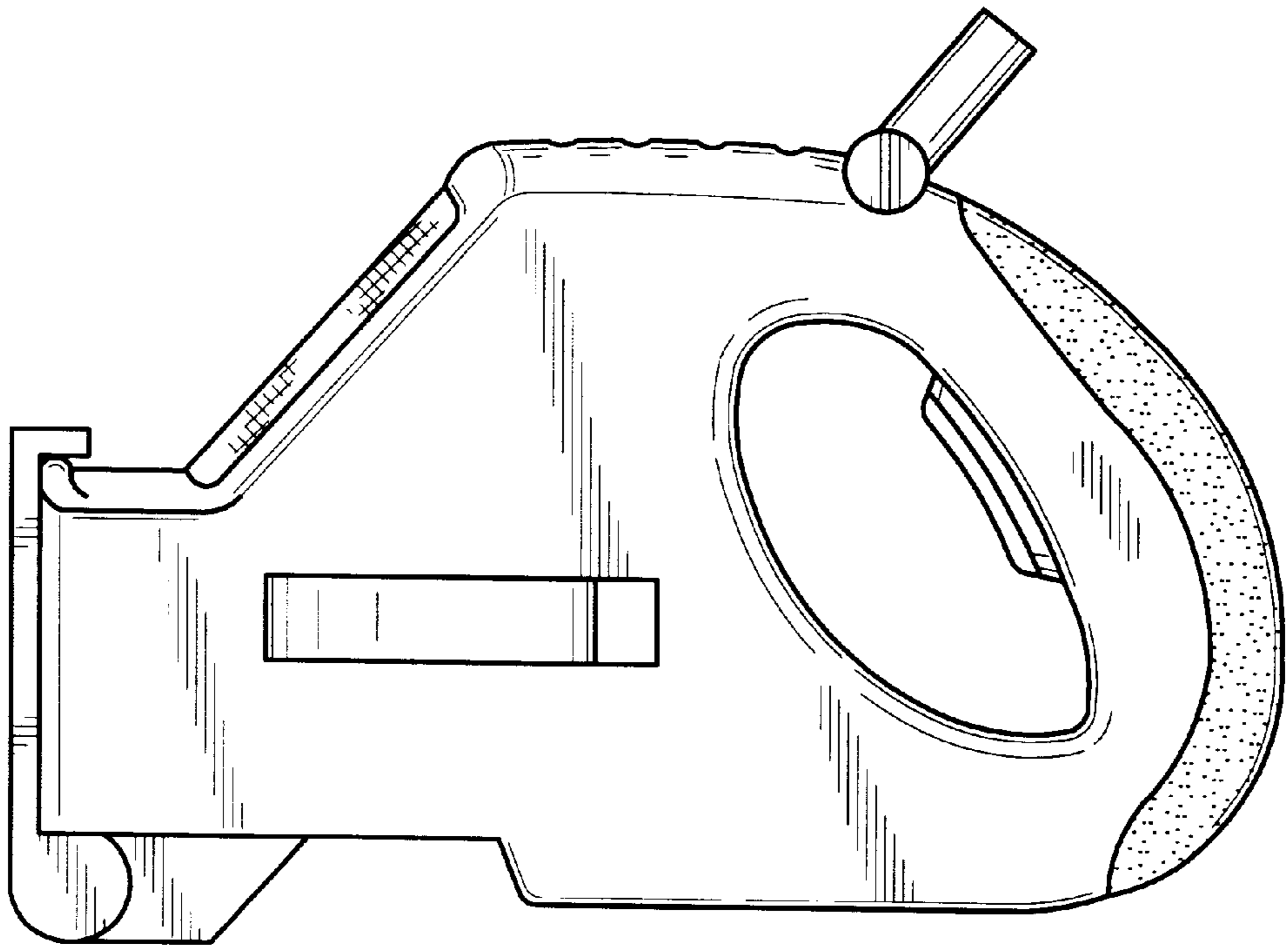


Figure - 3

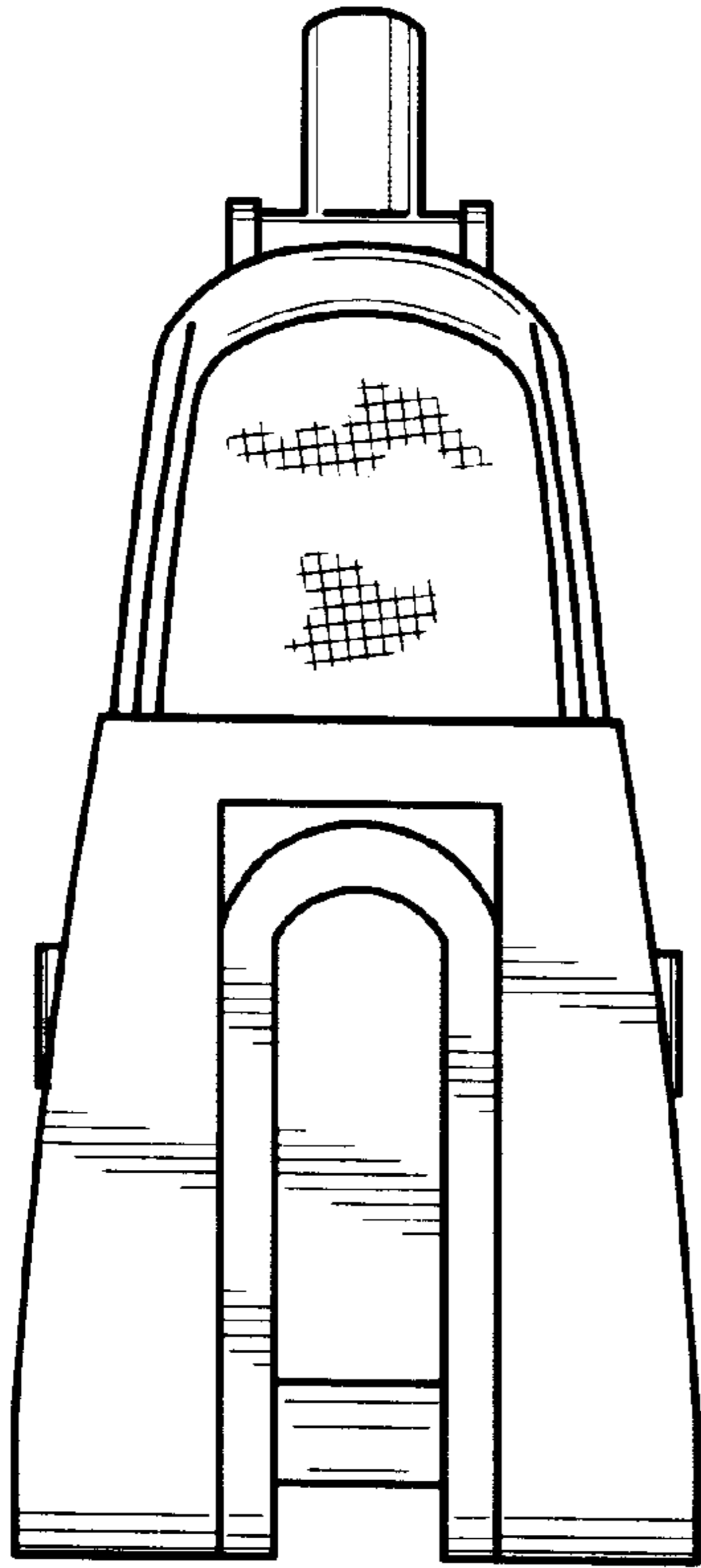


Figure - 4

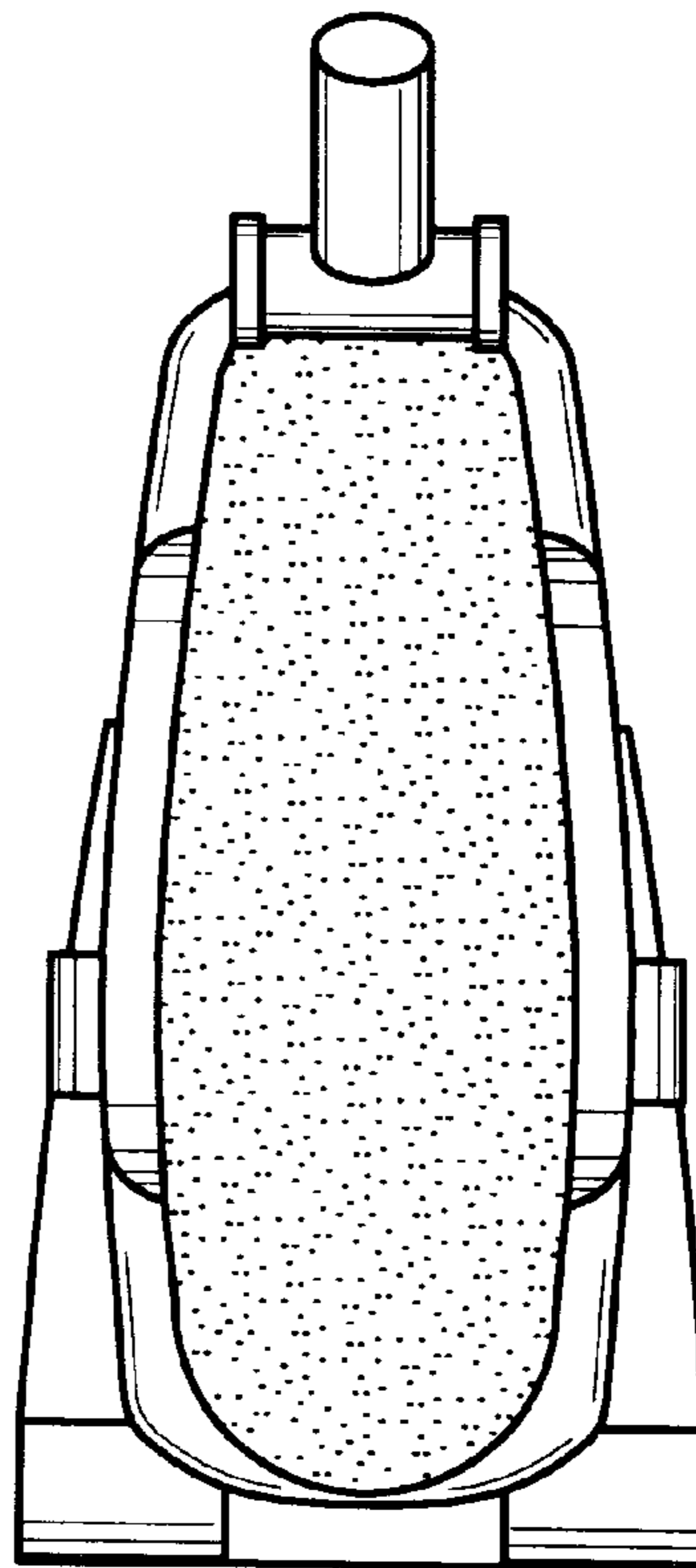


Figure - 5

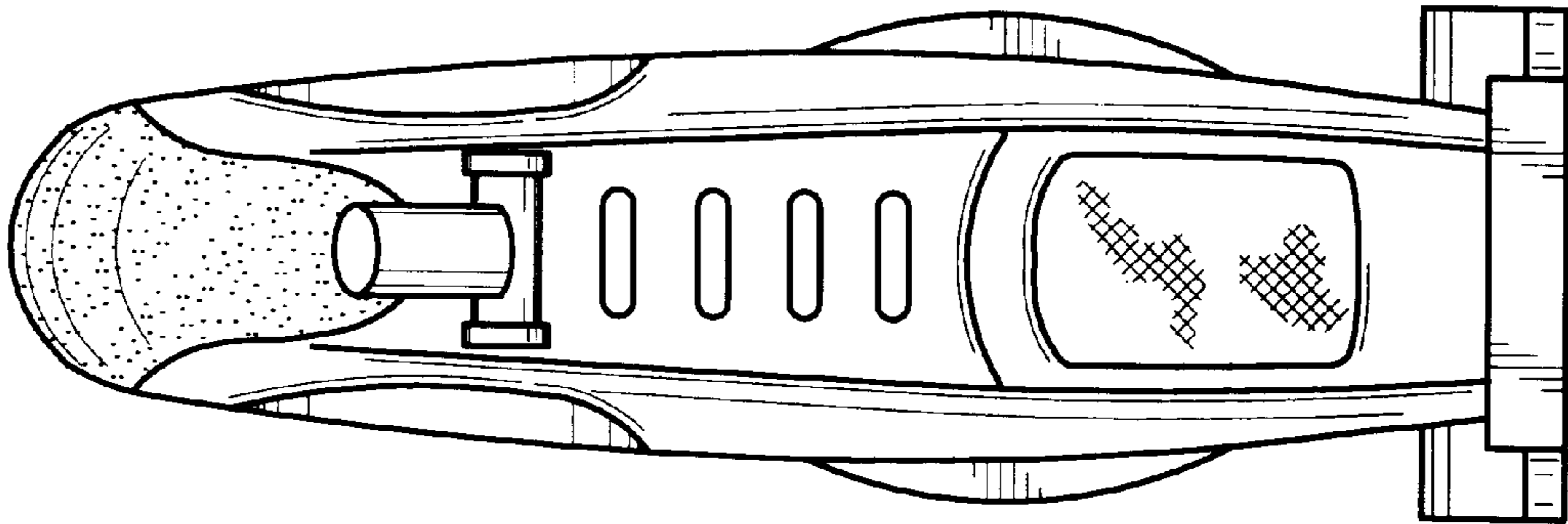


Figure - 6

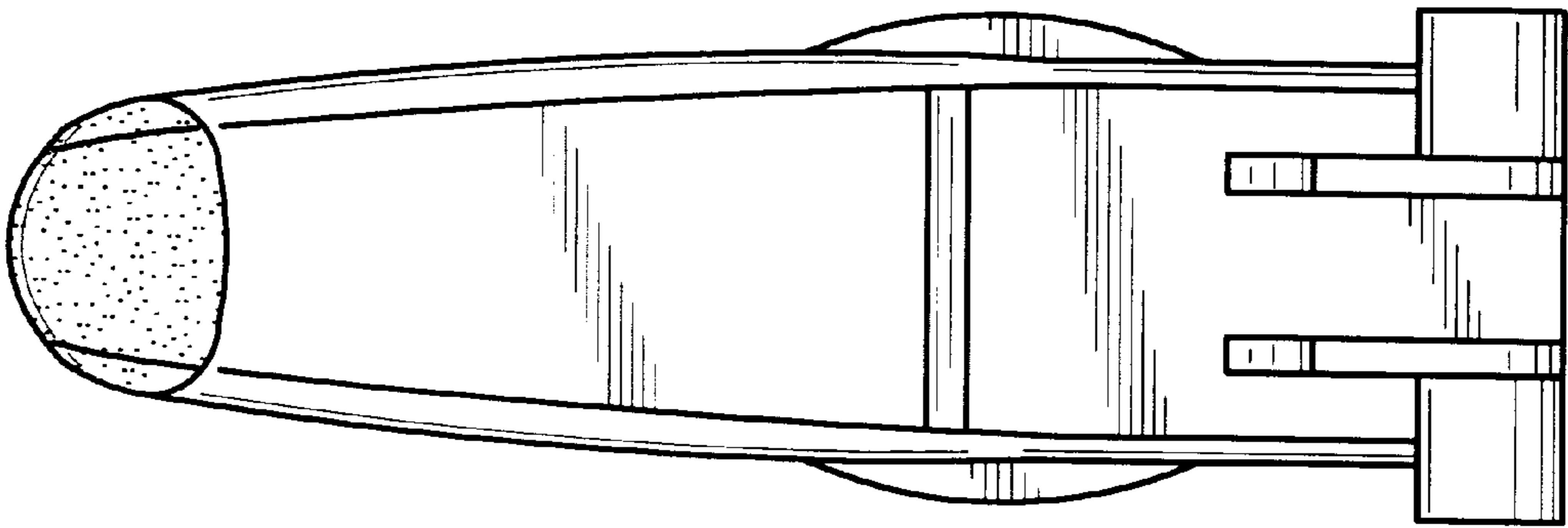


Figure - 7

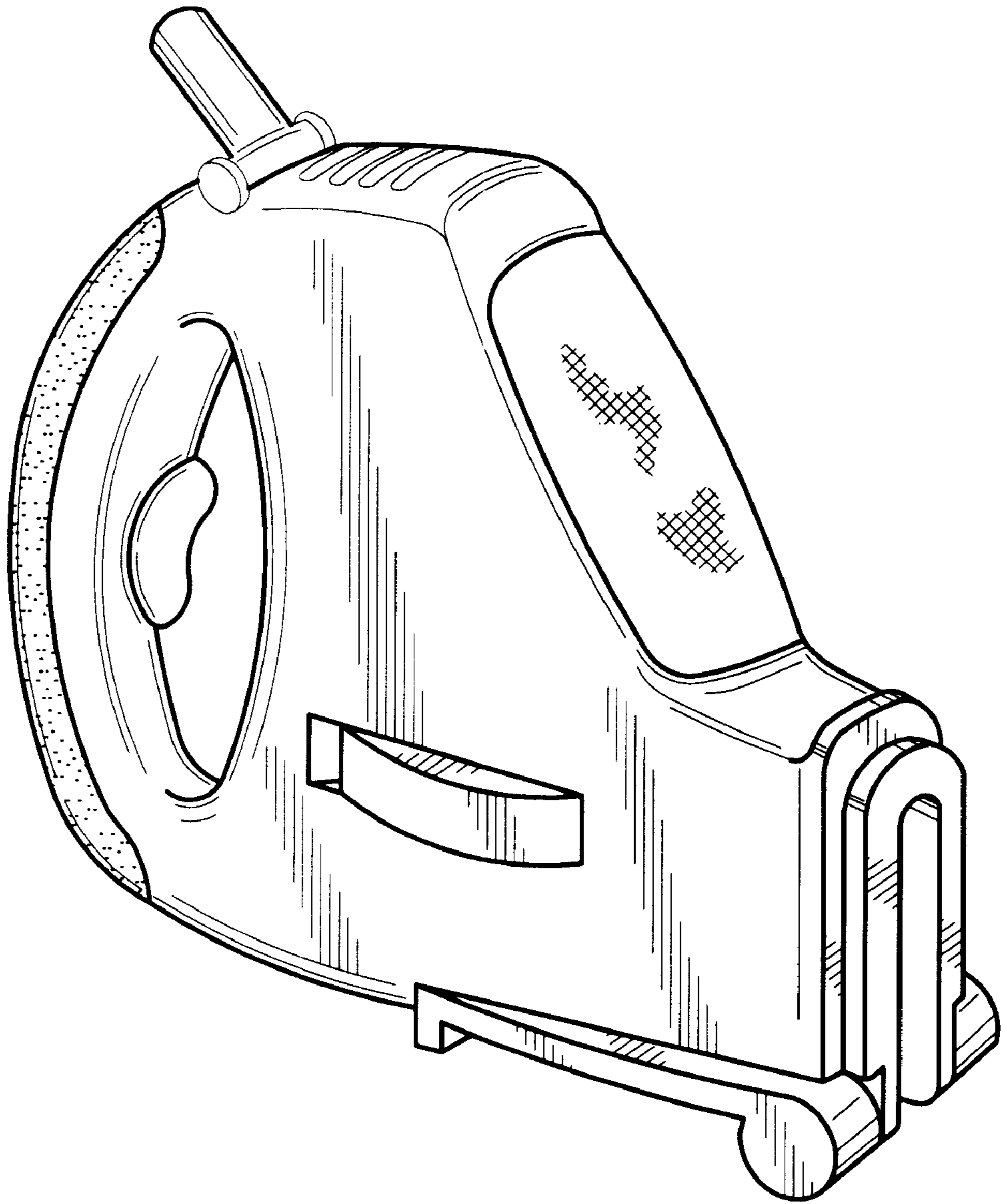


Figure - 8

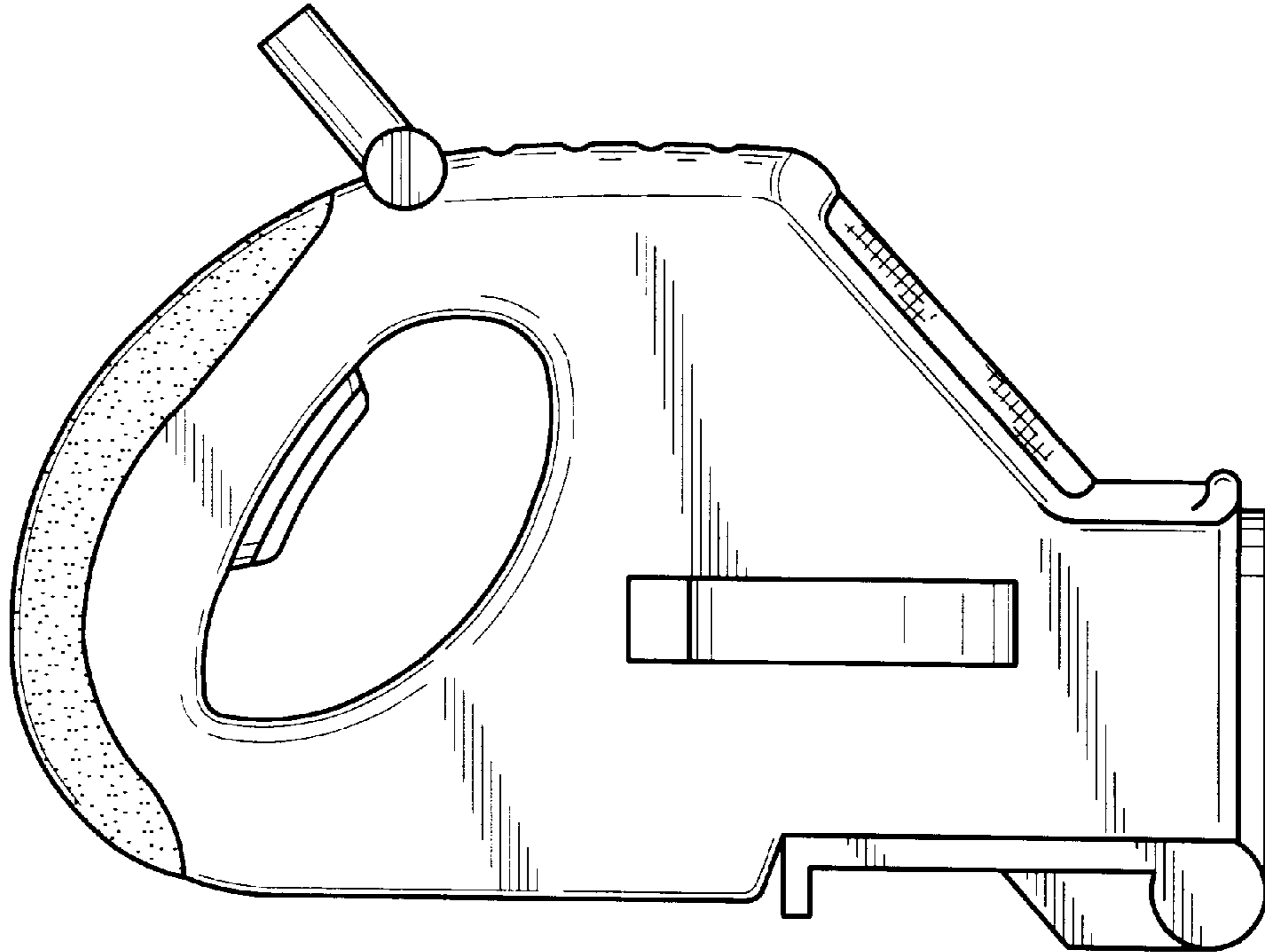


Figure - 9

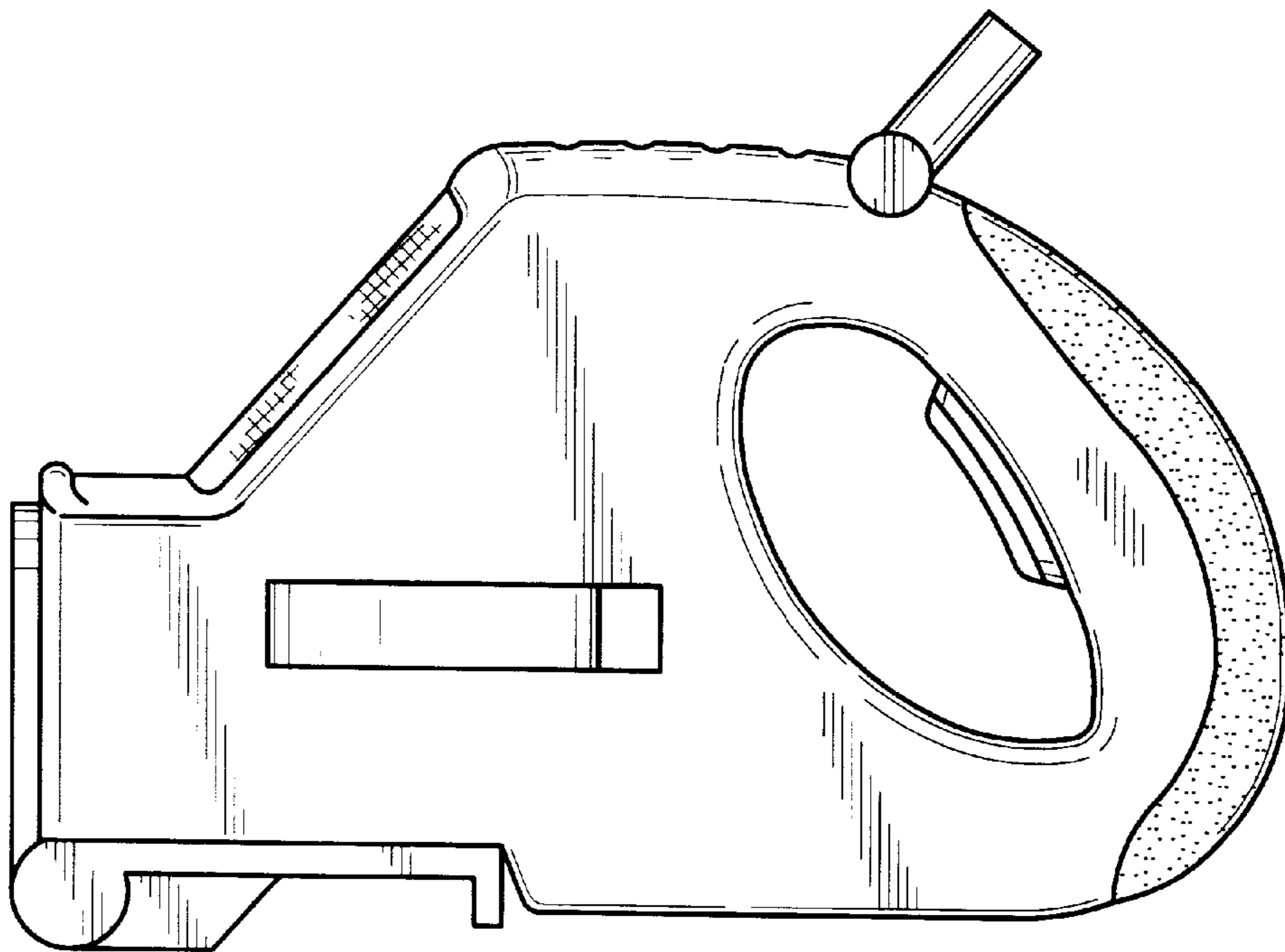


Figure - 10

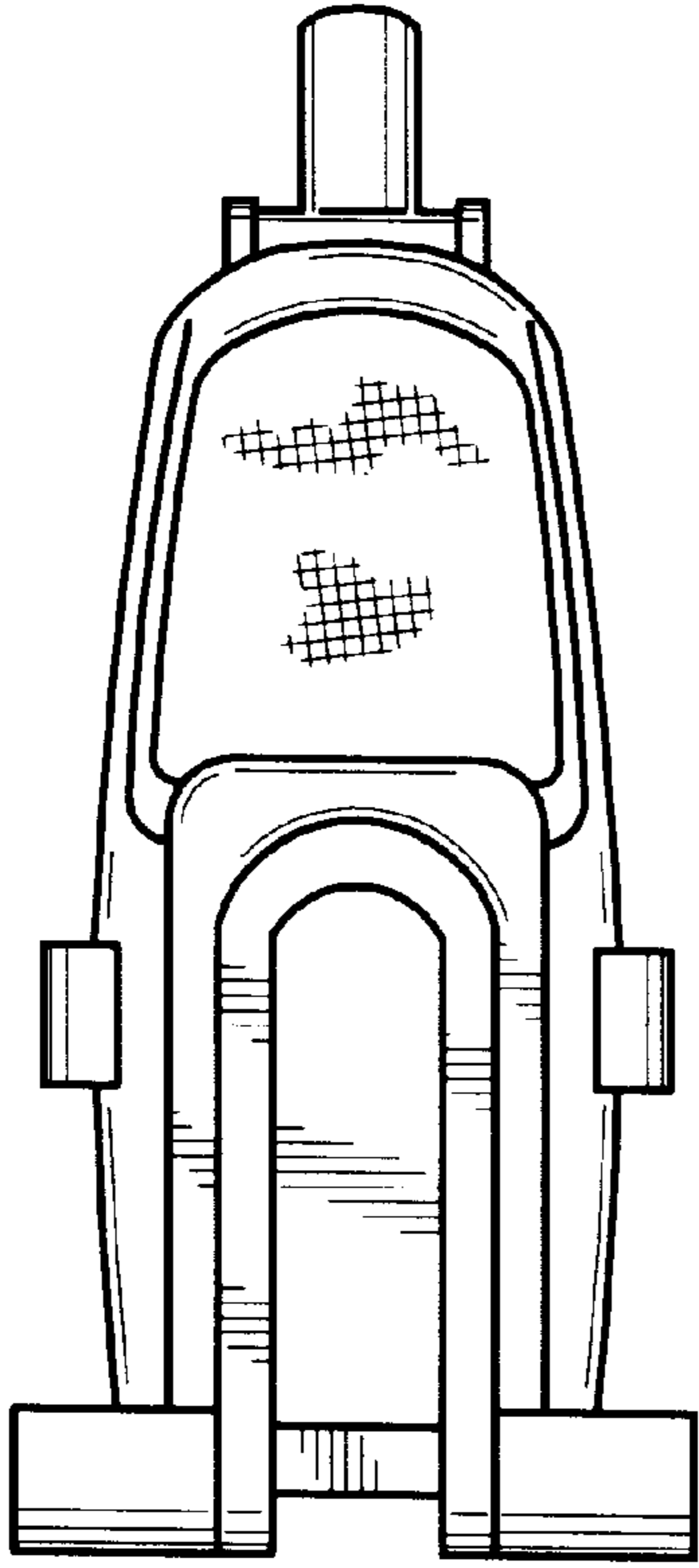


Figure - 11

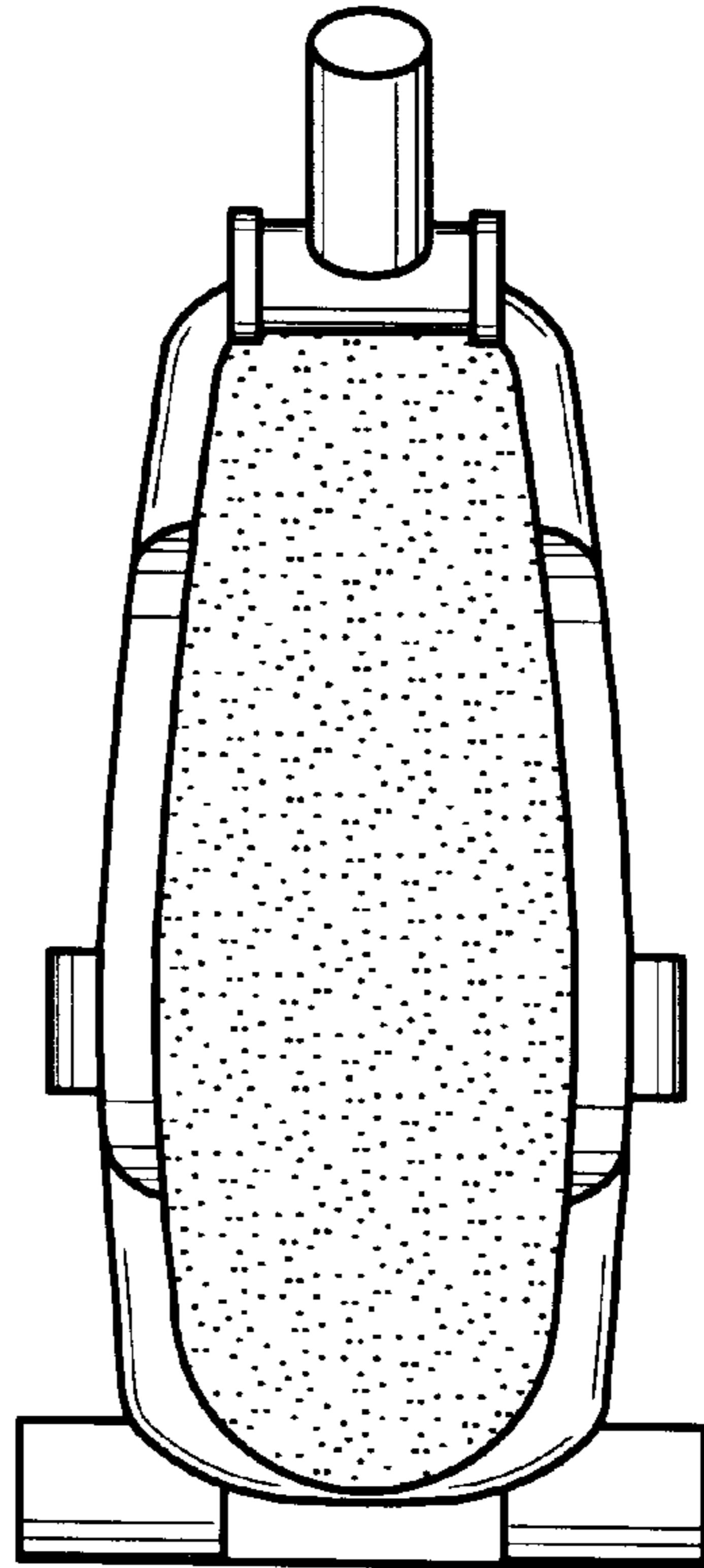


Figure - 12

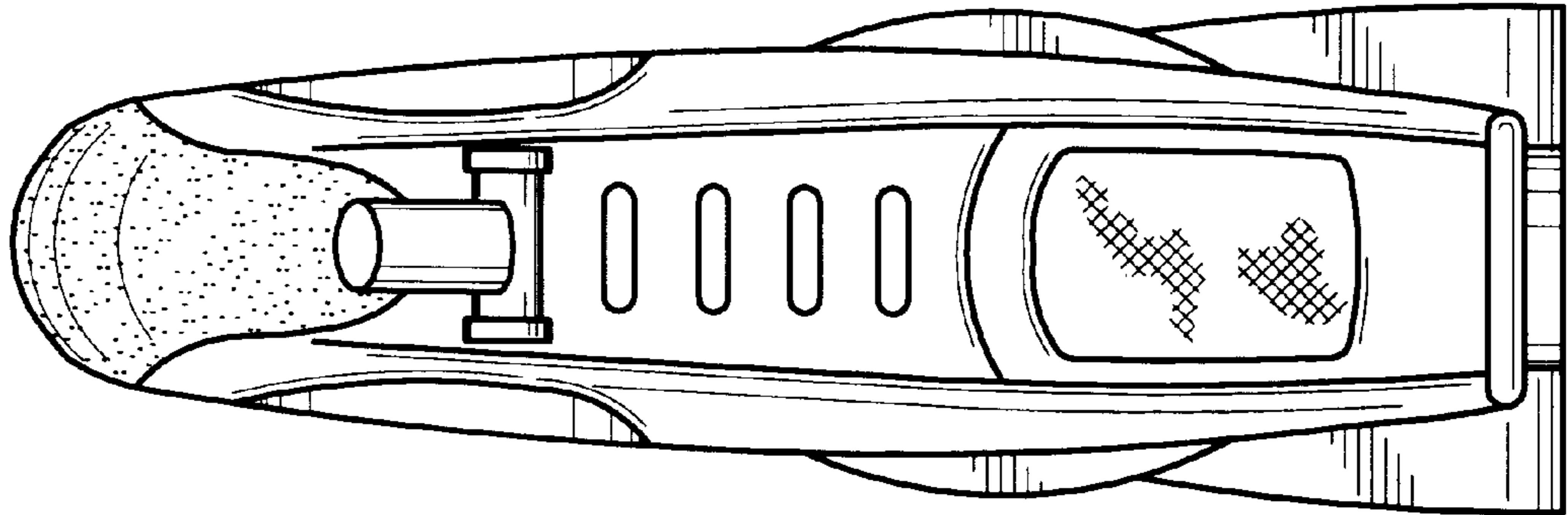


Figure - 13

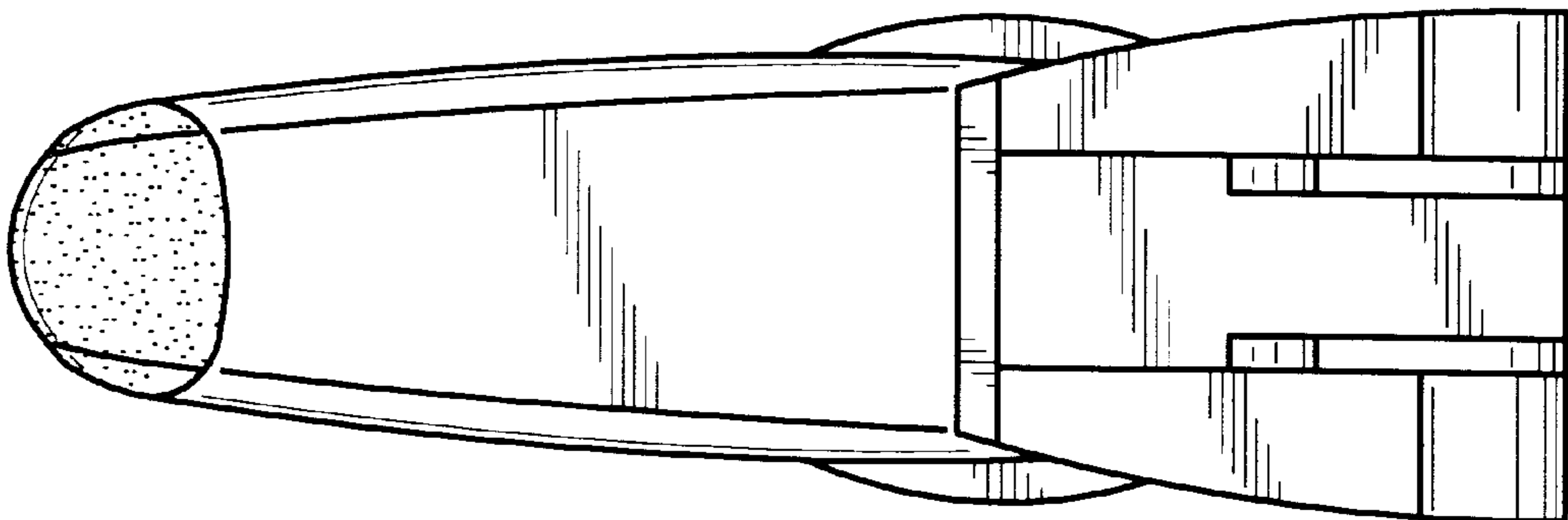


Figure - 14