



US00D455622S

(12) **United States Design Patent**
Tse

(10) **Patent No.:** **US D455,622 S**

(45) **Date of Patent:** **** Apr. 16, 2002**

(54) **CORKBORER**

(75) Inventor: **Kwok Kay Tse, Kowloon (CN)**

(73) Assignee: **ISIS Technology Limited, Kowloon (CN)**

(**) Term: **14 Years**

(21) Appl. No.: **29/138,291**

(22) Filed: **Mar. 9, 2001**

(51) **LOC (7) Cl.** **07-06**

(52) **U.S. Cl.** **D8/42**

(58) **Field of Search** D8/33-43; 7/151-156;
81/3.07-3.49

(56) **References Cited**

U.S. PATENT DOCUMENTS

- D364,324 S * 11/1995 Entwistle D8/42
- D366,198 S * 1/1996 Laib D8/42
- D397,010 S * 8/1998 Usbeck D8/42

D429,613 S * 8/2000 Chang D8/42

D429,981 S * 8/2000 So D8/42

* cited by examiner

Primary Examiner—Caron D. Veynar

(74) *Attorney, Agent, or Firm*—Alix, Yale & Ristas, LLP

(57) **CLAIM**

The ornamental design for a corkborer, as shown and described.

DESCRIPTION

FIG. 1 is a front perspective view of the corkborer showing my new design;

FIG. 2 is a front view of the corkborer of FIG. 1;

FIG. 3 is a right side view of the corkborer of FIG. 1;

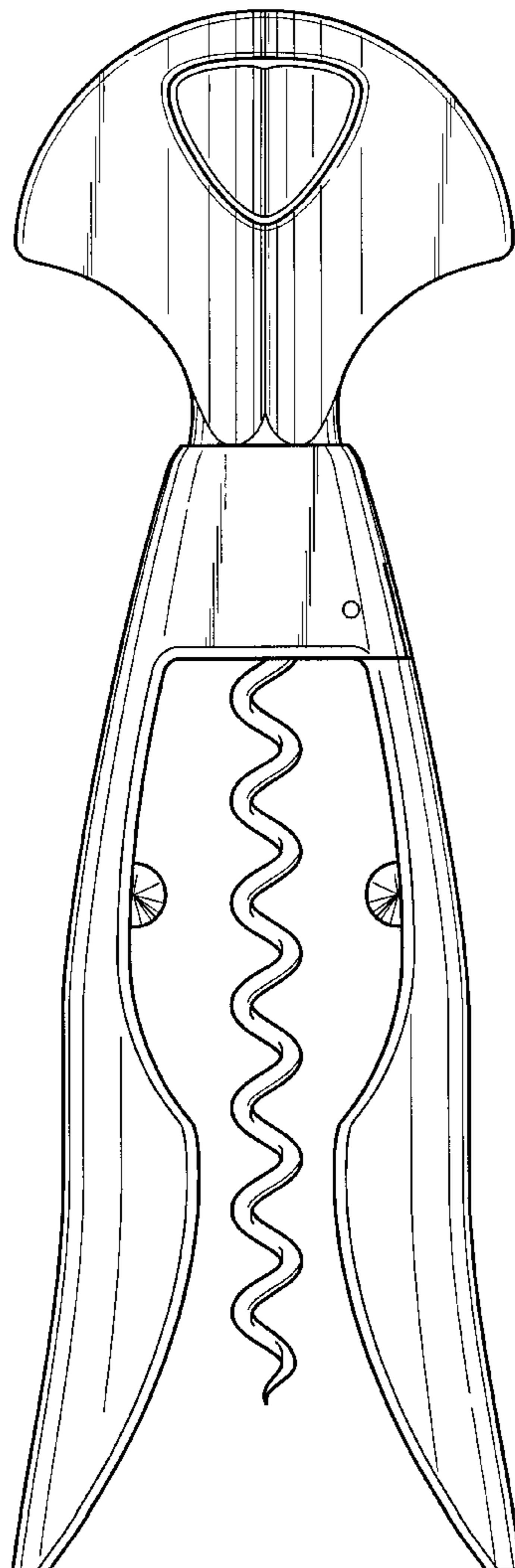
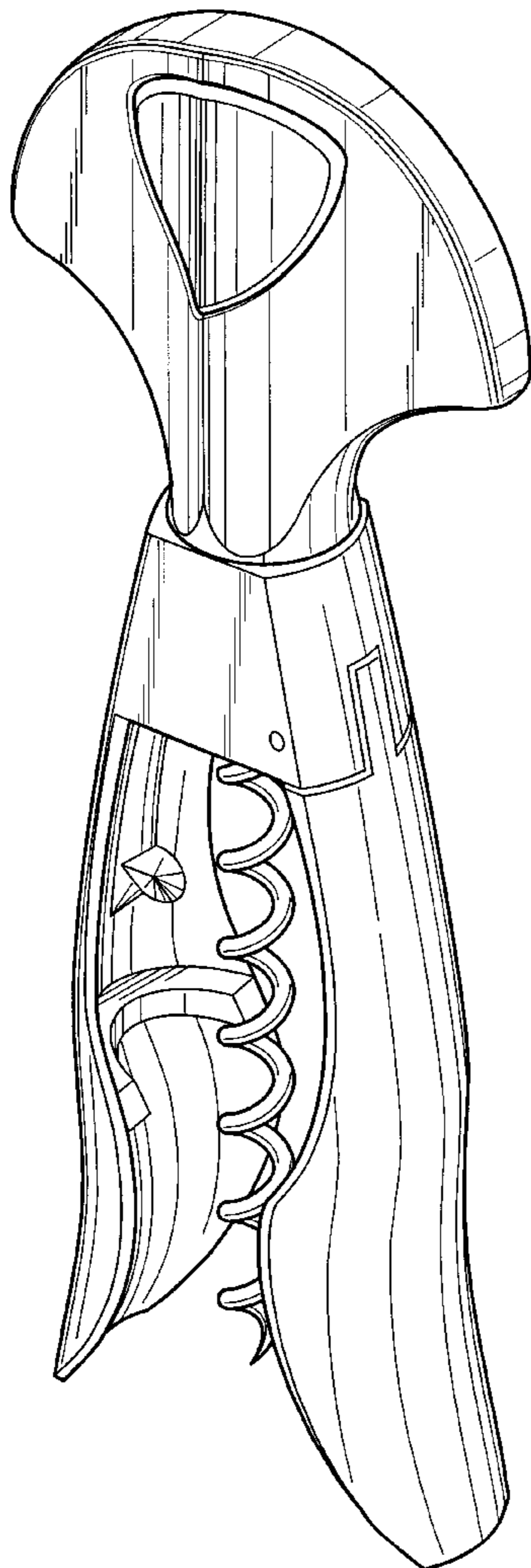
FIG. 4 is a rear view of the corkborer of FIG. 1;

FIG. 5 is a left side view of the corkborer of FIG. 1;

FIG. 6 is a top plan view of the corkborer of FIG. 1; and,

FIG. 7 is a bottom plan view of the corkborer of FIG. 1.

1 Claim, 4 Drawing Sheets



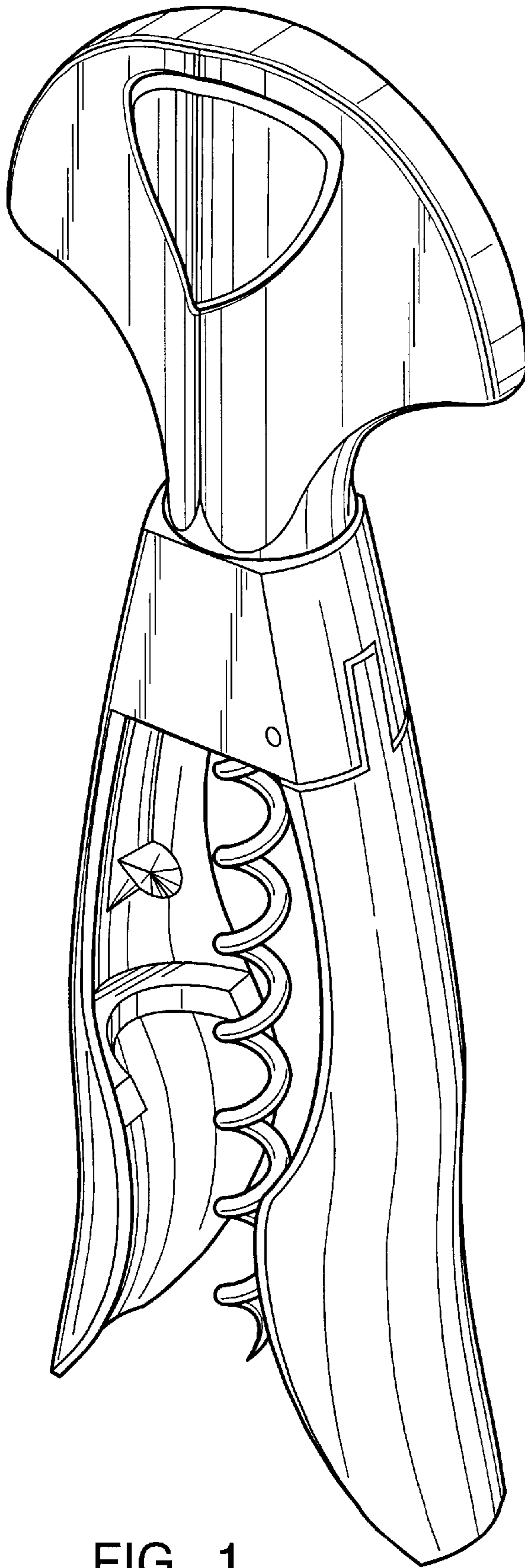


FIG. 1

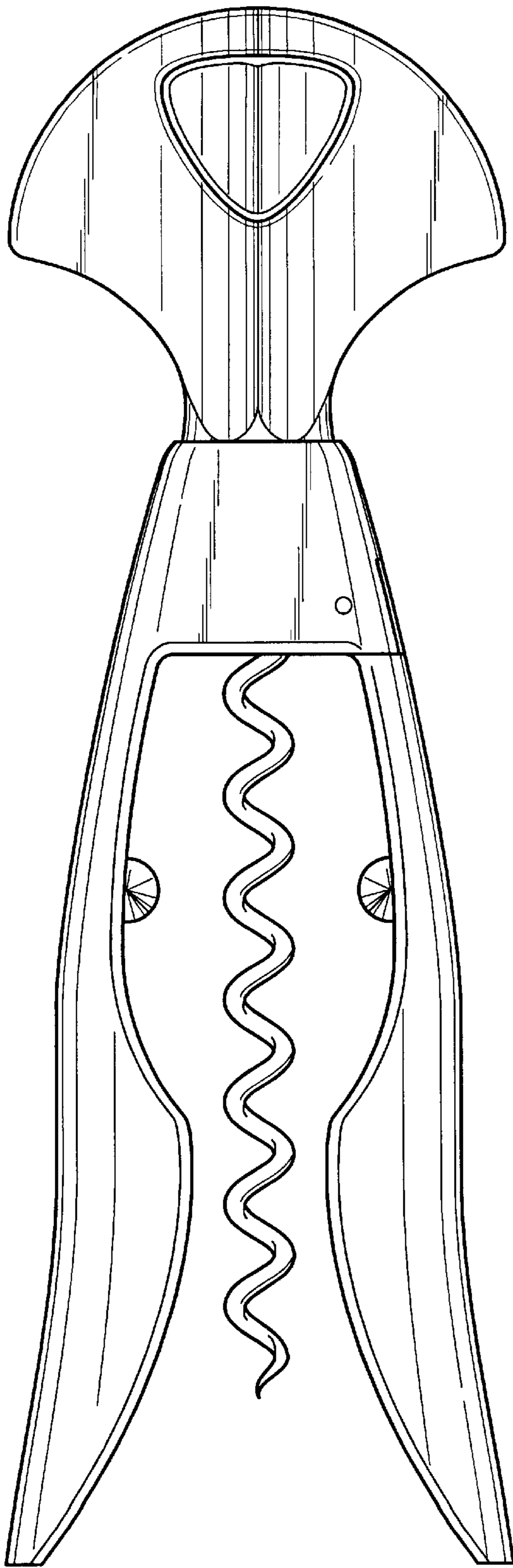


FIG. 2

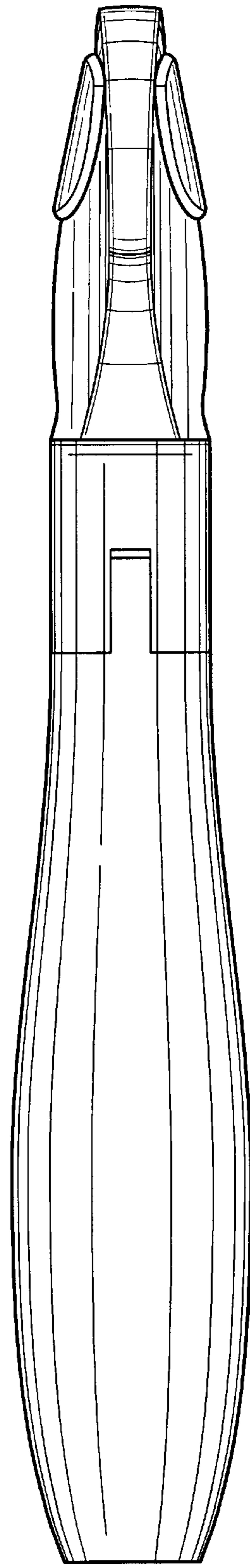


FIG. 3

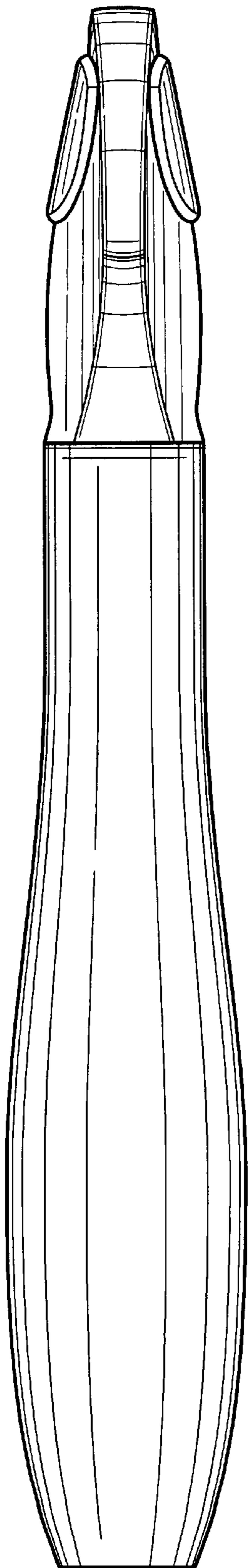


FIG. 5

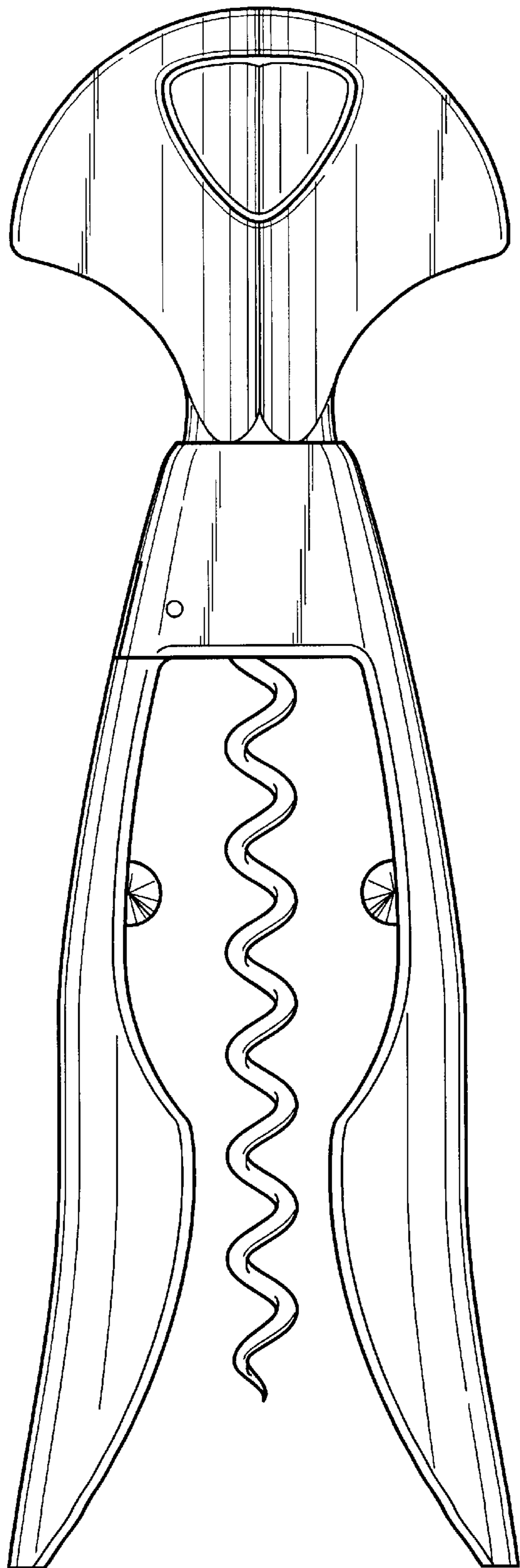


FIG. 4

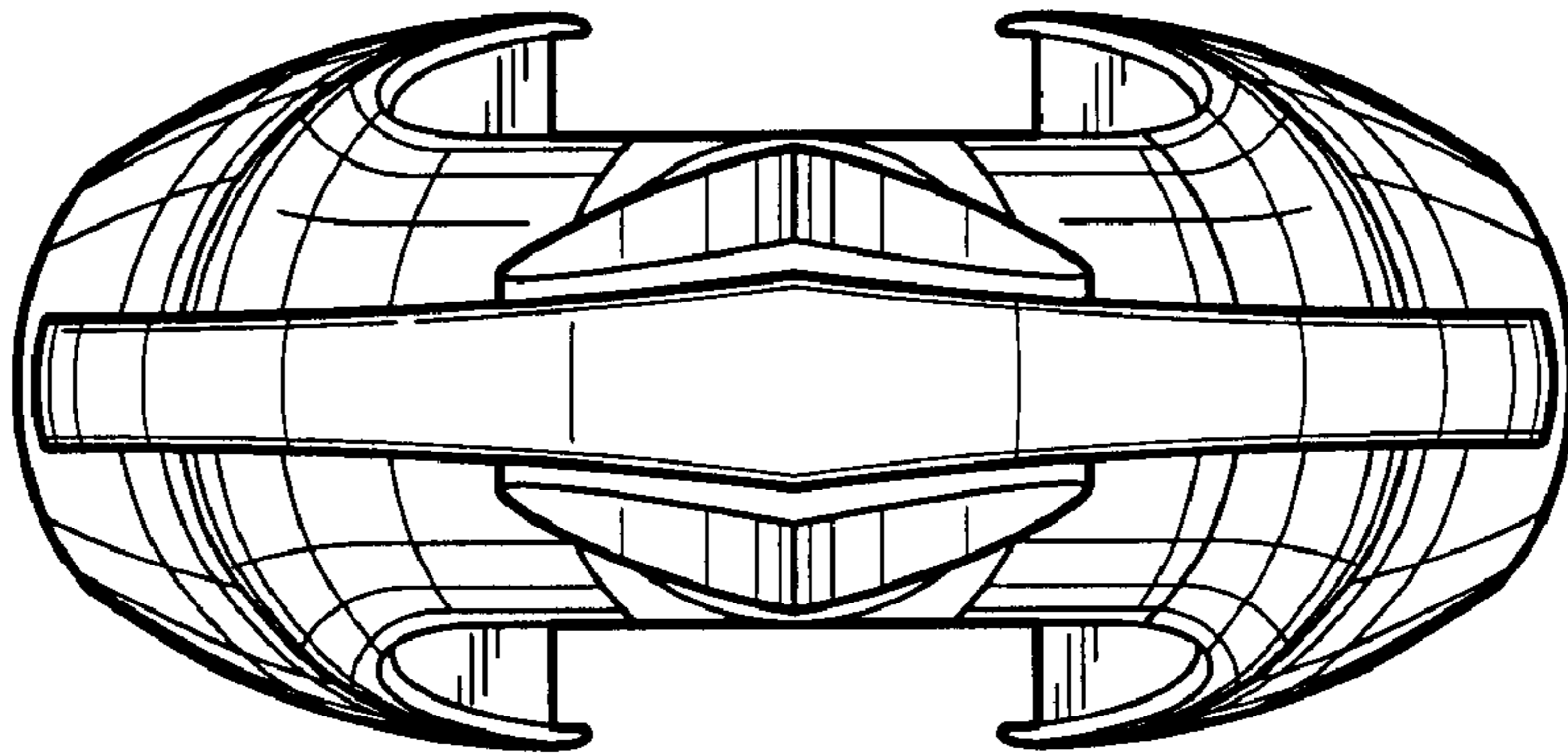


FIG. 6

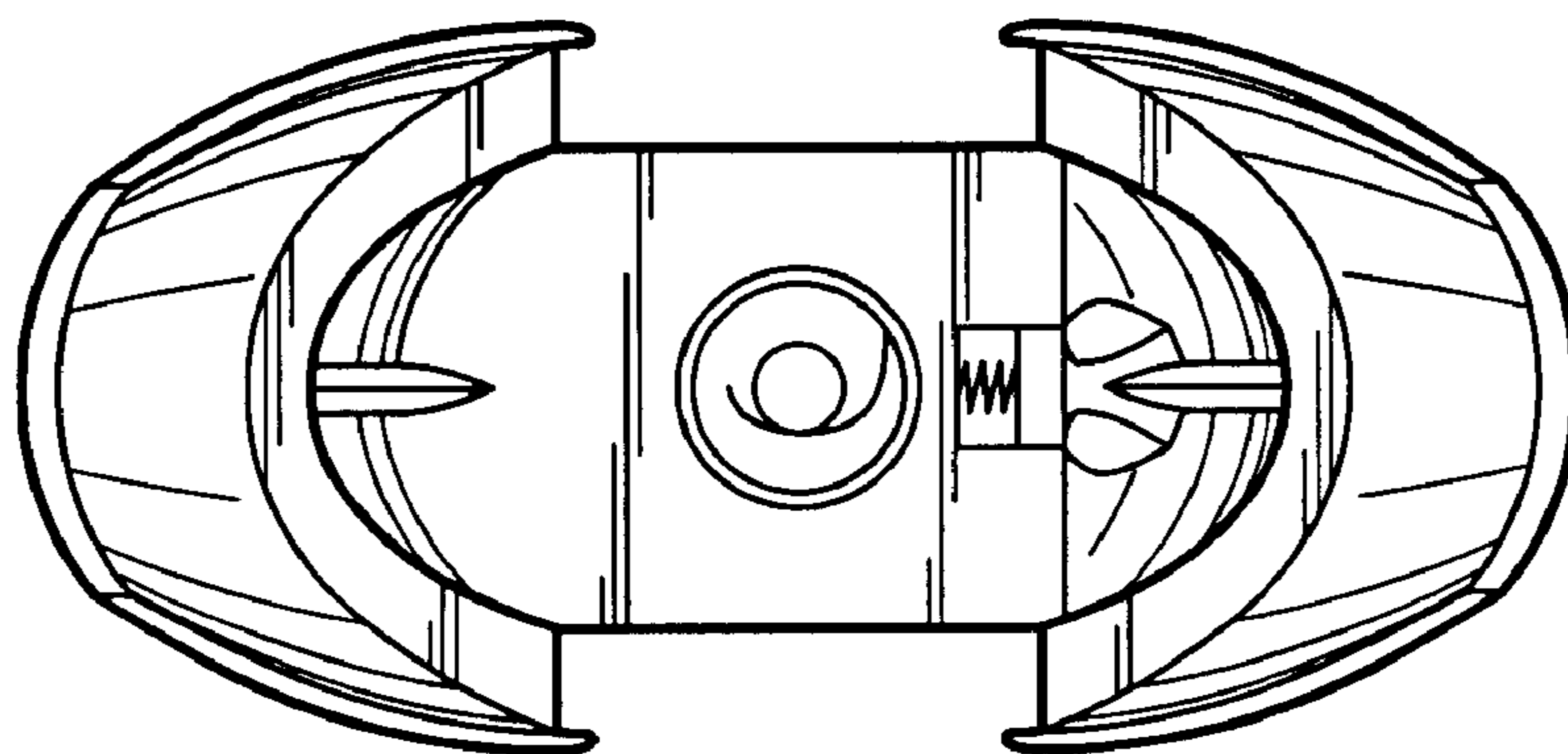


FIG. 7