



US00D455621S

(12) **United States Design Patent**  
**Cheng**

(10) **Patent No.:** **US D455,621 S**

(45) **Date of Patent:** **\*\* Apr. 16, 2002**

(54) **HOT AIR BLOWER**

(76) **Inventor:** **Chuan-Hsin Cheng**, 235 Chung-Ho  
Box 8-24, Taipei (TW)

(\*\*) **Term:** **14 Years**

(21) **Appl. No.:** **29/149,394**

(22) **Filed:** **Oct. 9, 2001**

(51) **LOC (7) Cl.** ..... **08-05**

(52) **U.S. Cl.** ..... **D8/30**

(58) **Field of Search** ..... D8/29.1, 29.2,  
D8/30; 219/137.7, 137.31, 137.41, 137.44,  
222, 225, 227; D28/13; 392/383, 384, 385

(56) **References Cited**

**U.S. PATENT DOCUMENTS**

4,629,846	A	*	12/1986	Wilson	.....	392/385
D293,020	S	*	12/1987	Steinel et al.	.....	D8/29.1
D296,070	S	*	6/1988	Cunningham	.....	D8/29.1
D297,397	S	*	8/1988	Pagani	.....	D8/29.1
D297,398	S	*	8/1988	Pagani	.....	D8/29.1

D322,742	S	*	12/1991	Spratt	.....	D8/29.1
D334,876	S	*	4/1993	Swedish	.....	D8/29.1
D388,297	S	*	12/1997	Buttenbender	.....	D8/29.1
D388,298	S	*	12/1997	Jerdee et al.	.....	D8/29.1

\* cited by examiner

*Primary Examiner*—Philip S. Hyder

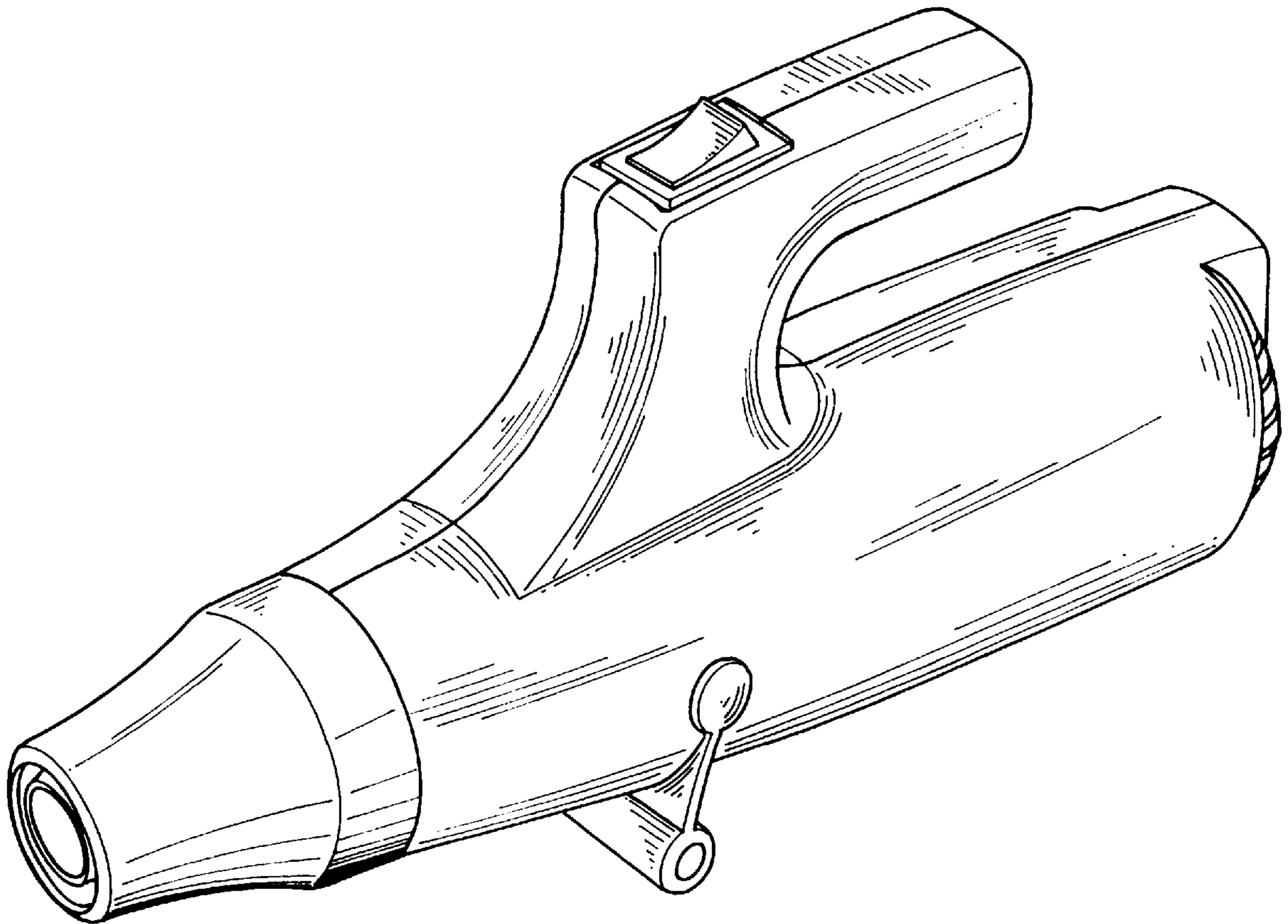
(57) **CLAIM**

The ornamental design for a hot air blower, as shown and described.

**DESCRIPTION**

FIG. 1 is a top plan view of a hot air blower showing my new design;  
FIG. 2 is a bottom plan view thereof;  
FIG. 3 is a rear elevational view thereof;  
FIG. 4 is a front elevational view thereof;  
FIG. 5 is a right side view thereof;  
FIG. 6 is a left side view thereof; and,  
FIG. 7 is a perspective view thereof.

**1 Claim, 5 Drawing Sheets**



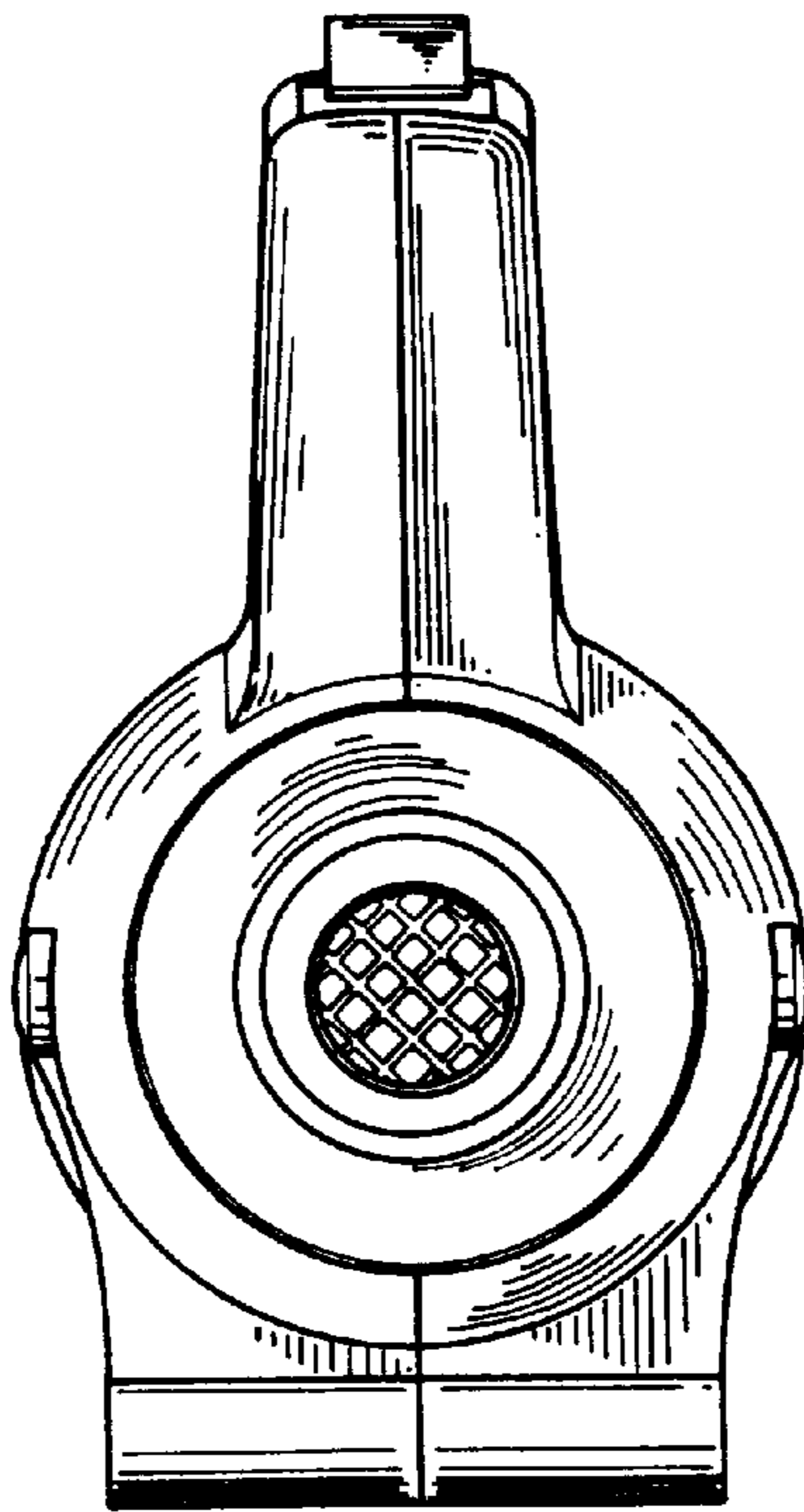


FIG. 1

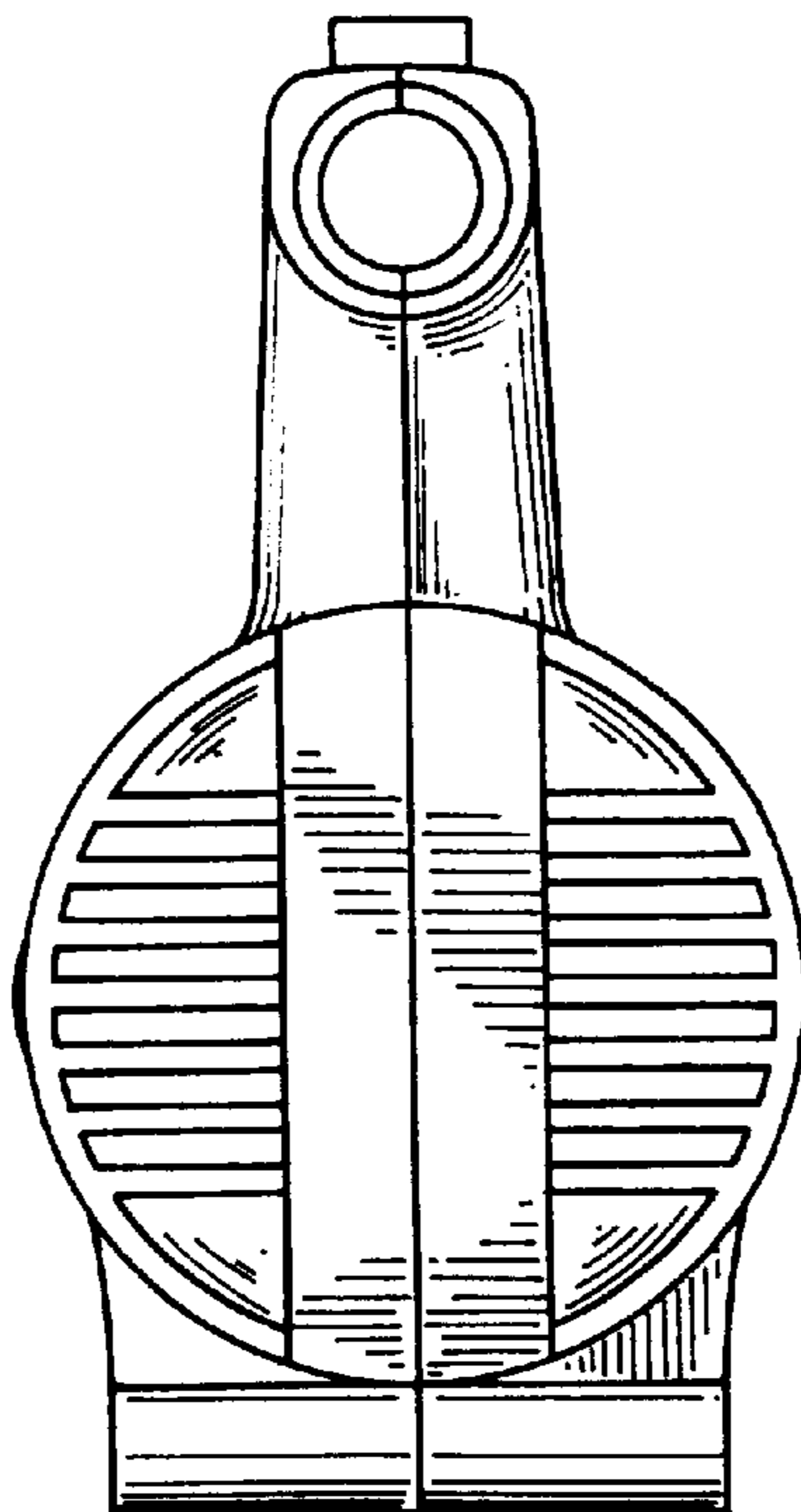


FIG. 2

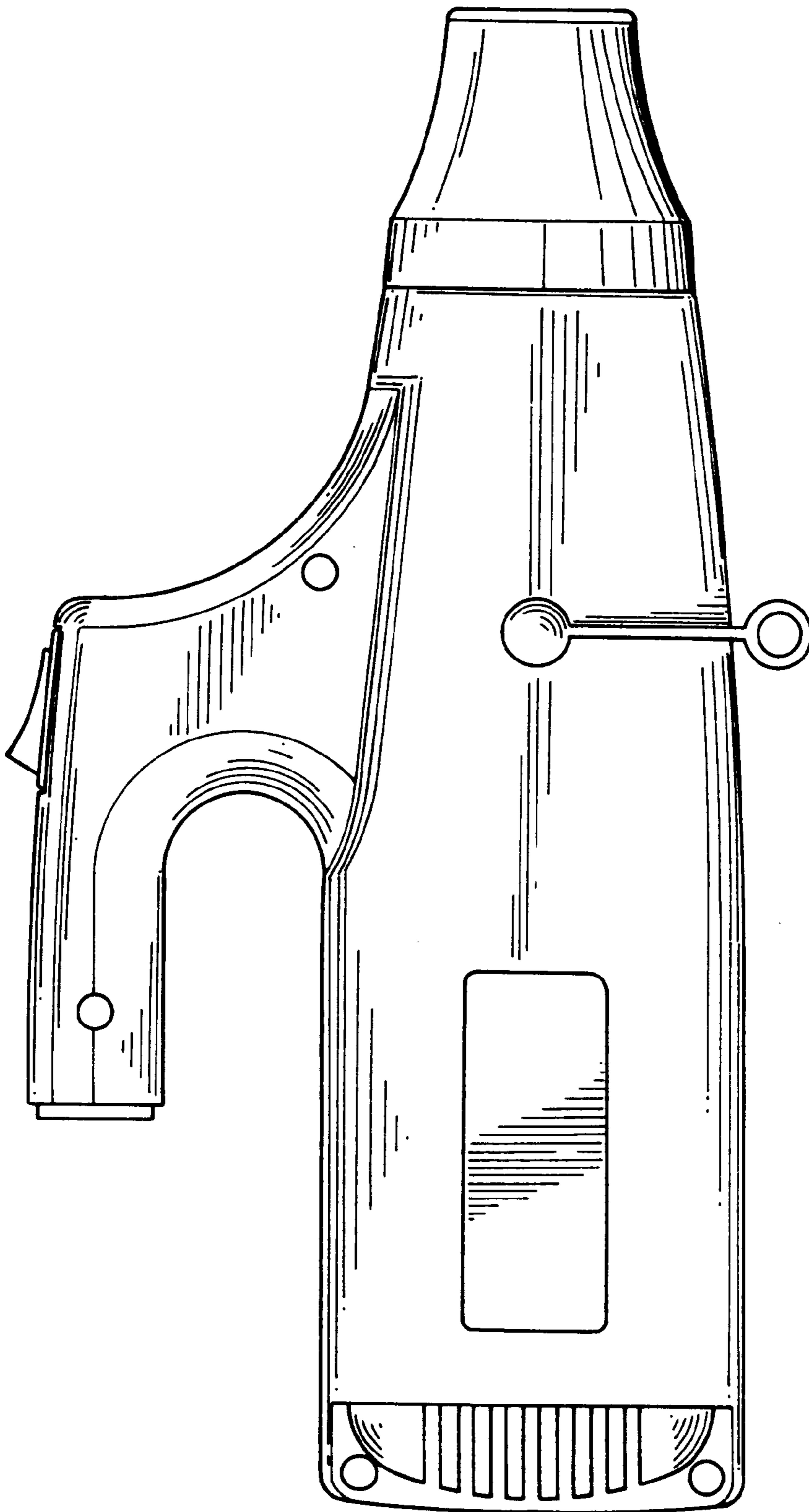


FIG. 3

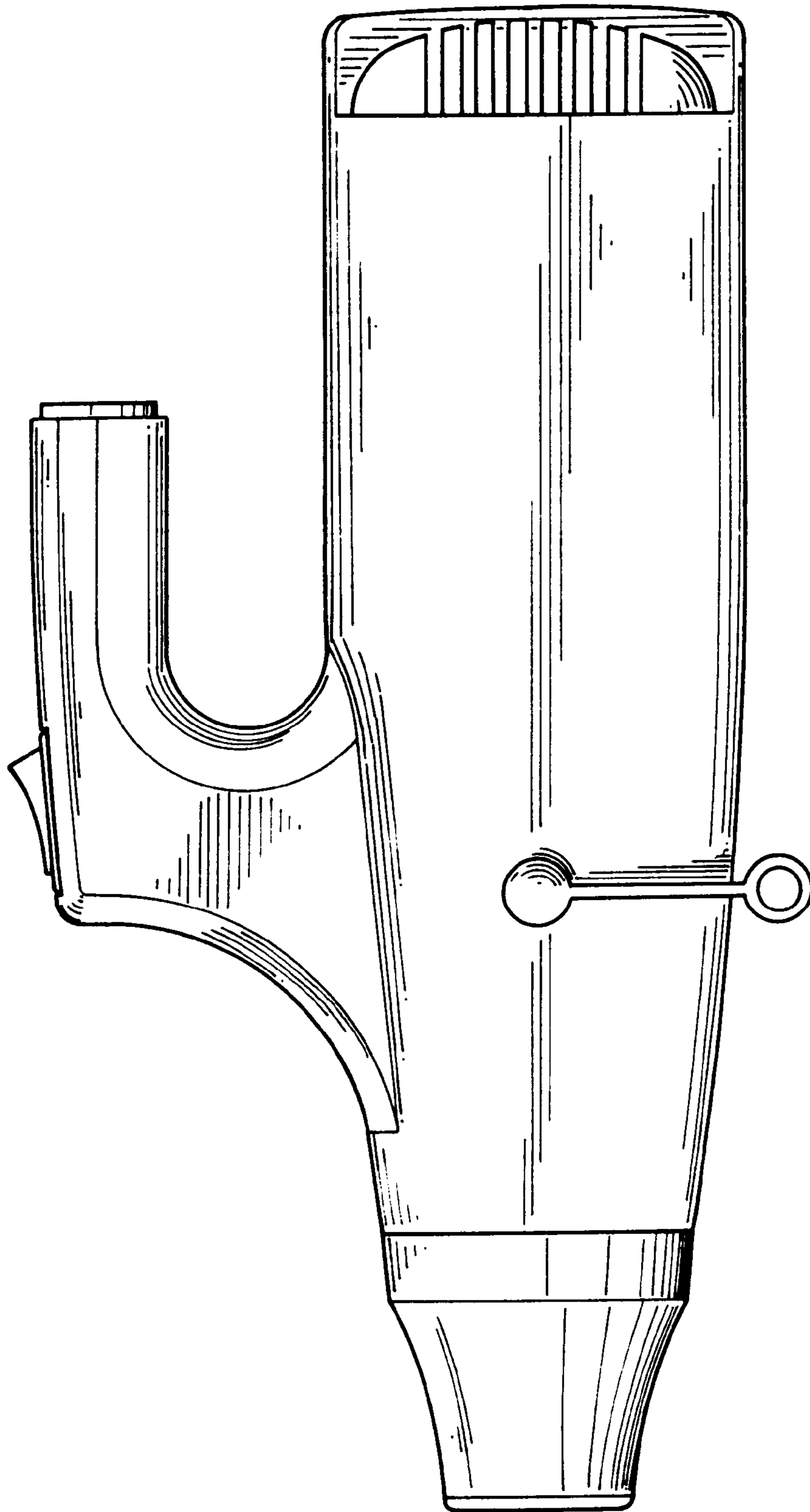


FIG. 4

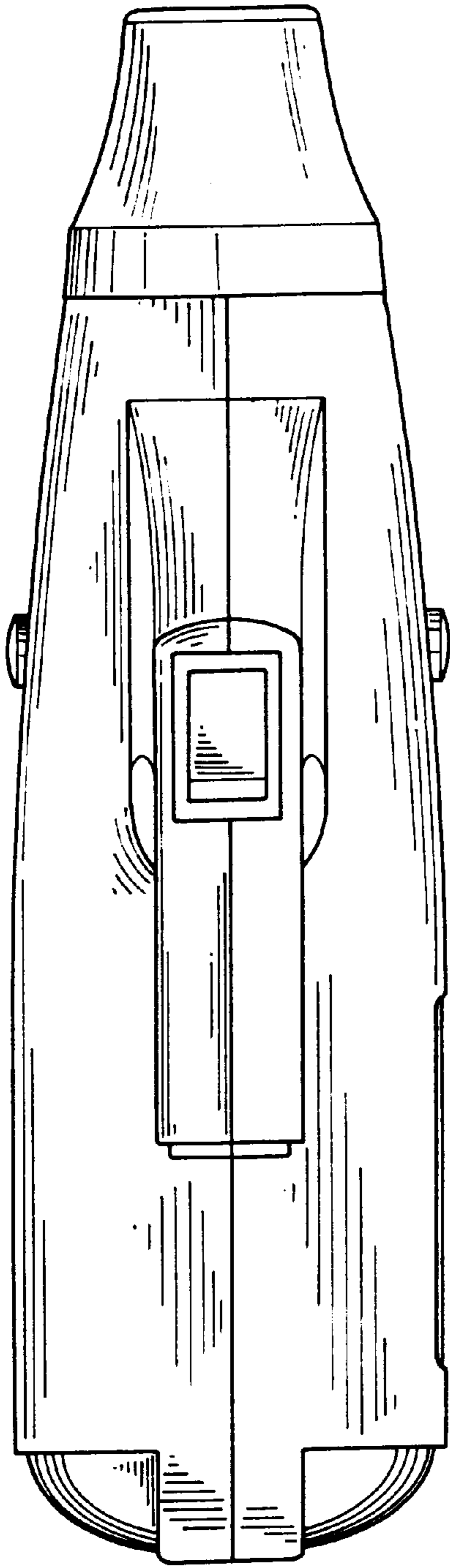


FIG. 5

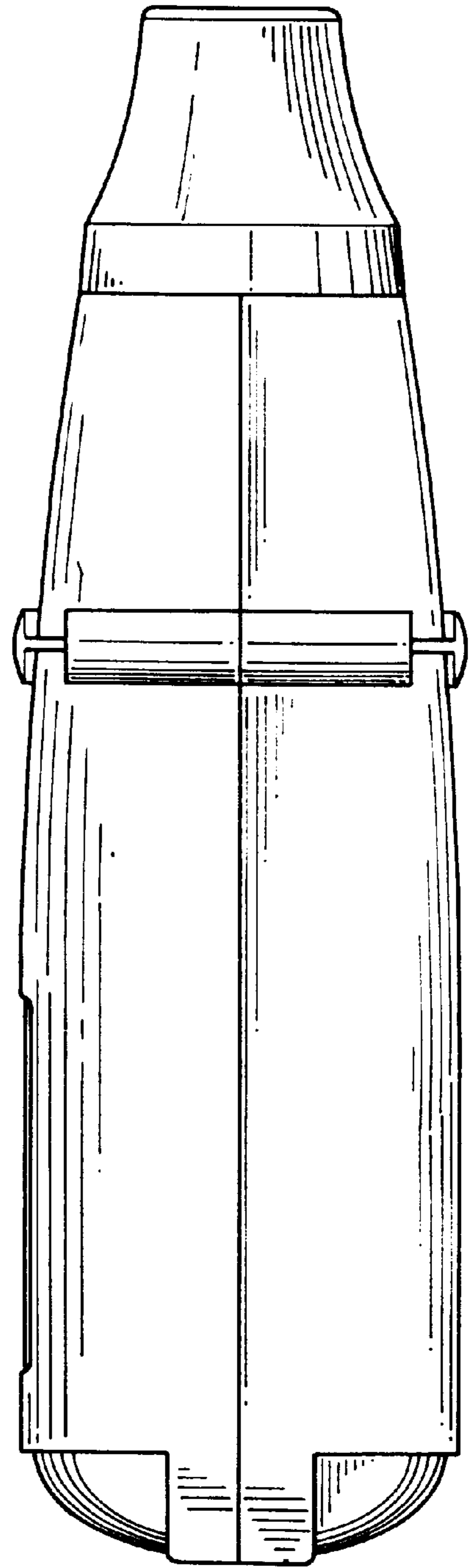


FIG. 6



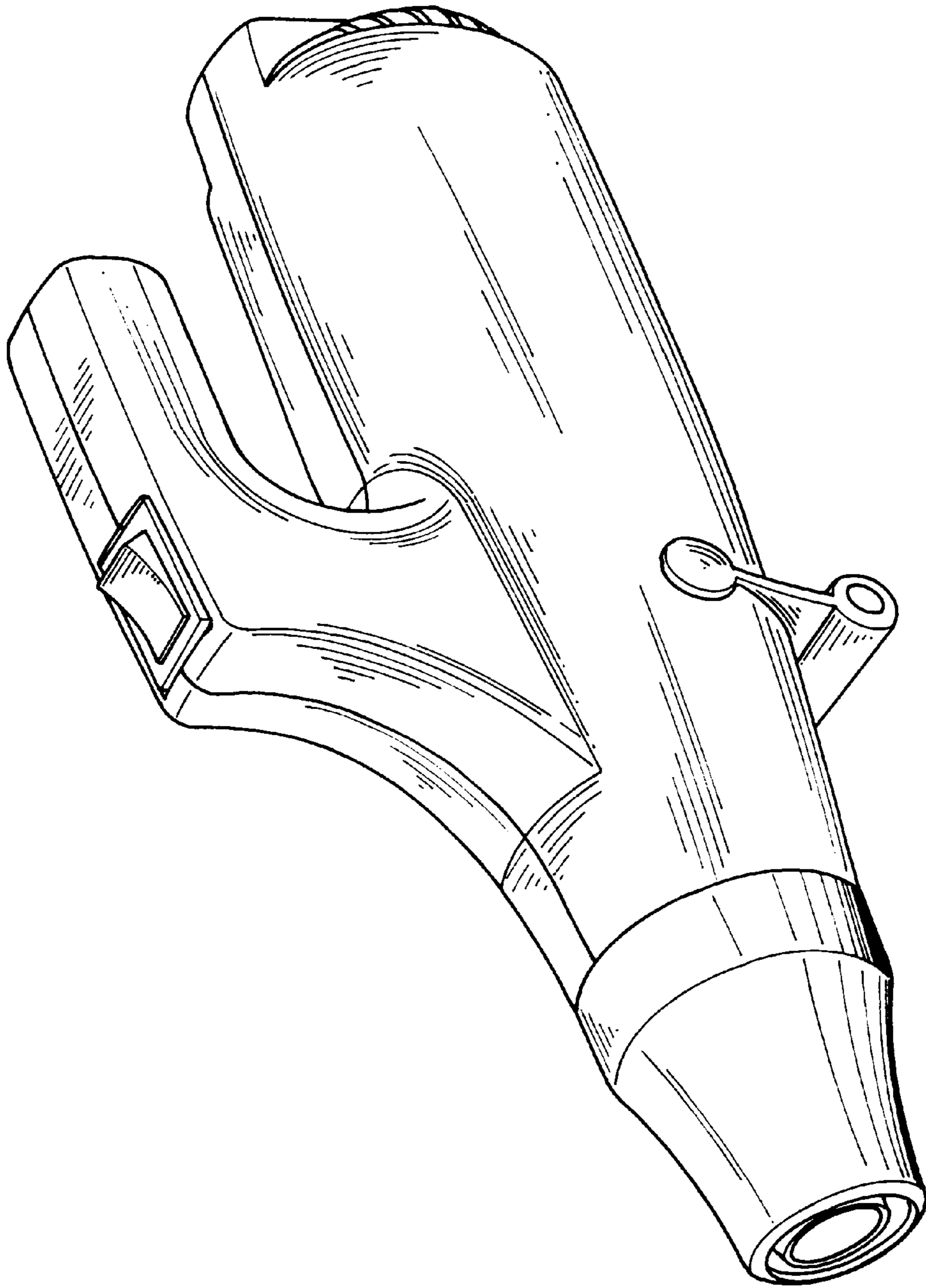


FIG. 7