



US00D455620S

(12) **United States Design Patent**
Lee

(10) **Patent No.:** **US D455,620 S**

(45) **Date of Patent:** **** Apr. 16, 2002**

(54) **GLUE GUN**

(75) **Inventor:** **Grace Lee, Chia Yi (TW)**

(73) **Assignee:** **Homease Industrial Corporation, Ltd. (JP)**

(**) **Term:** **14 Years**

(21) **Appl. No.:** **29/133,727**

(22) **Filed:** **Dec. 6, 2000**

(51) **LOC (7) Cl.** **08-05**

(52) **U.S. Cl.** **D8/14.1**

(58) **Field of Search** D8/14.1, 29.1,
D8/30; 222/146.5, 146.2, 146.1; 219/221,
227, 229, 242

(56) **References Cited**

U.S. PATENT DOCUMENTS

| | | | | | |
|------------|---|--------|----------------|-------|---------|
| D289,968 S | * | 5/1987 | Somers | | D8/14.1 |
| D303,612 S | * | 9/1989 | Knispel | | D8/14.1 |
| D307,379 S | * | 4/1990 | Knispel | | D8/14.1 |
| D313,736 S | * | 1/1991 | Boliver et al. | | D8/14.1 |
| D316,019 S | * | 4/1991 | Belanger | | D8/14.1 |

| | | | | | |
|------------|---|---------|------------------|-------|---------|
| D325,154 S | * | 4/1992 | King, III et al. | | D8/30 |
| D370,396 S | * | 6/1996 | Belanger et al. | | D8/14.1 |
| D398,204 S | * | 9/1998 | Lee | | D8/14.1 |
| D402,518 S | * | 12/1998 | Lee | | D8/14.1 |
| D411,421 S | * | 6/1999 | Mayeur | | D8/14.1 |
| D412,432 S | * | 8/1999 | Brokros | | D8/30 |

* cited by examiner

Primary Examiner—Philip S. Hyder

(74) *Attorney, Agent, or Firm*—Larson & Taylor, PLC

(57) **CLAIM**

The ornamental design for a glue gun, as shown.

DESCRIPTION

FIG. 1 is a perspective view of the glue gun showing my new design;

FIG. 2 is a rear elevational view thereof;

FIG. 3 is a front elevational view thereof;

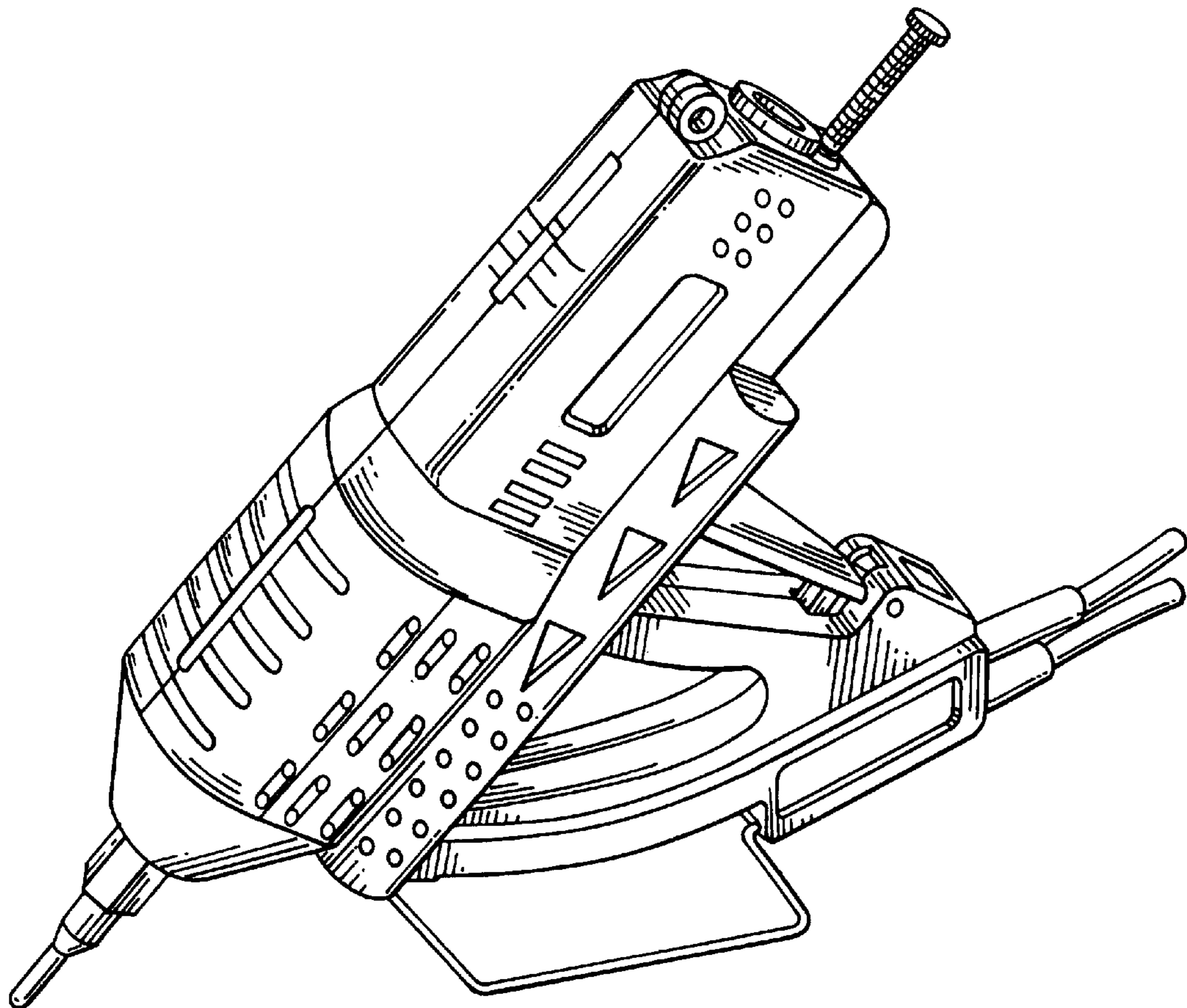
FIG. 4 is a top plan view thereof;

FIG. 5 is a bottom plan view thereof;

FIG. 6 is a left side elevational view thereof; and,

FIG. 7 is a right side elevational view thereof.

1 Claim, 4 Drawing Sheets



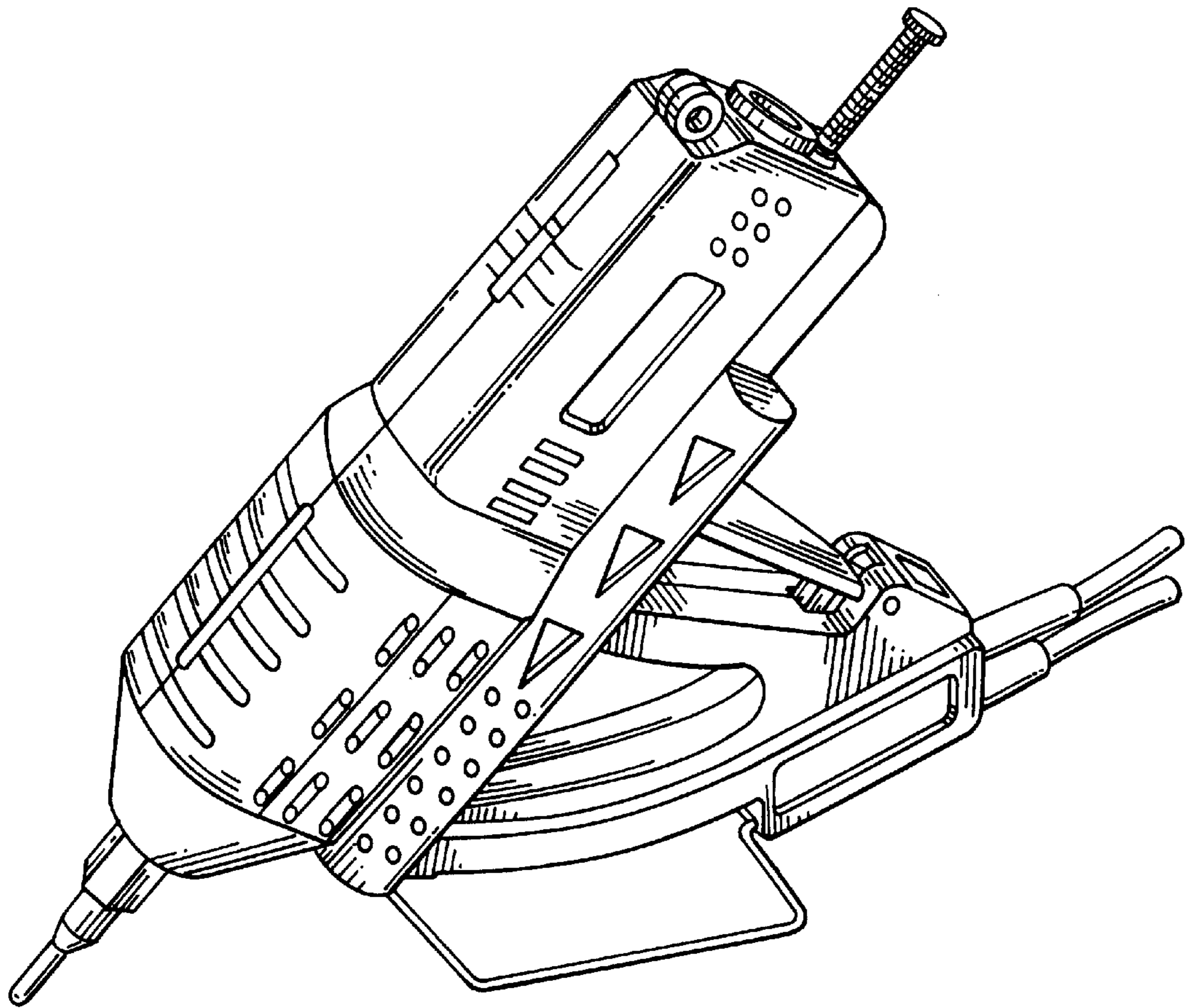


FIG. 1

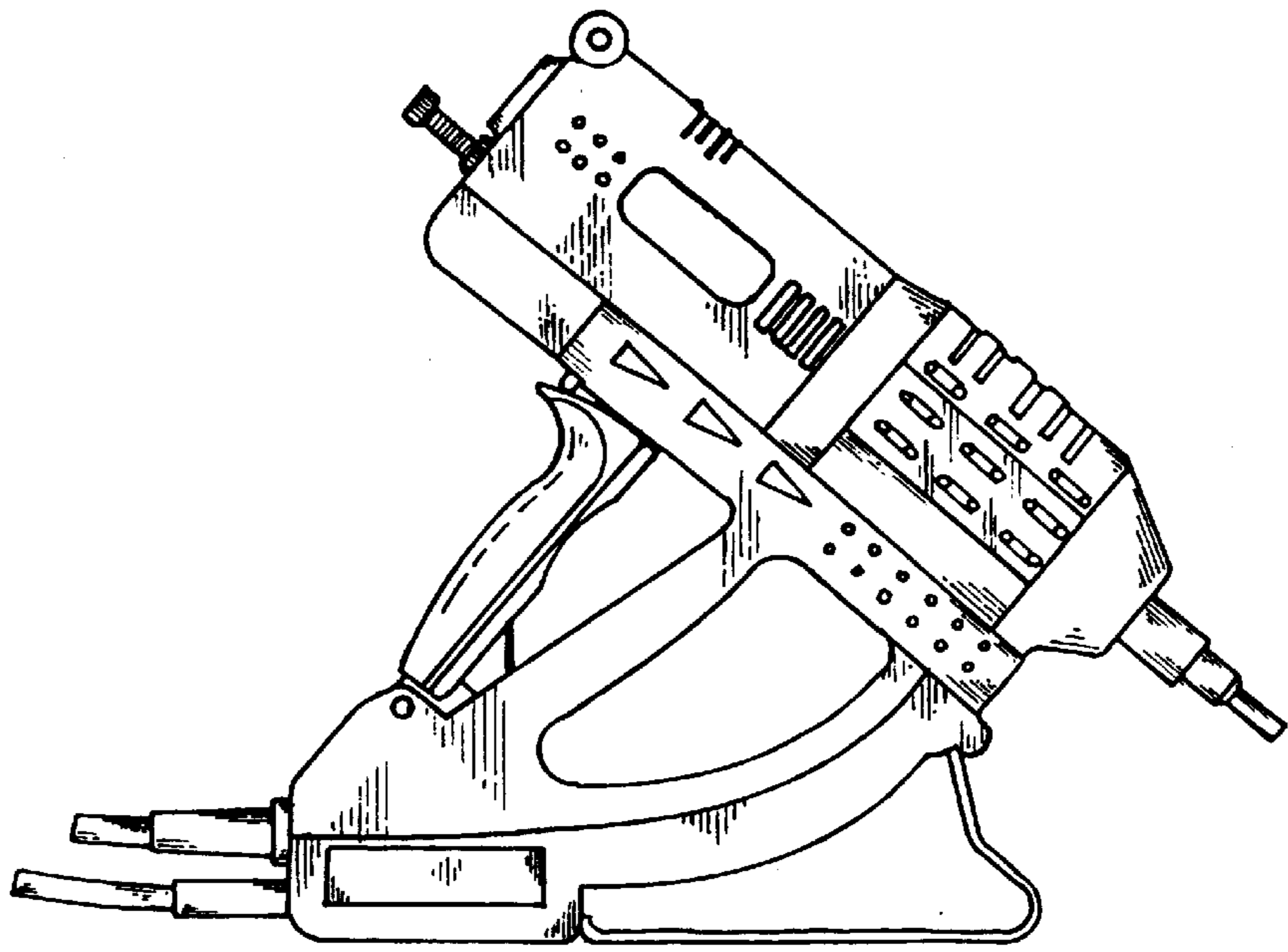


FIG. 2

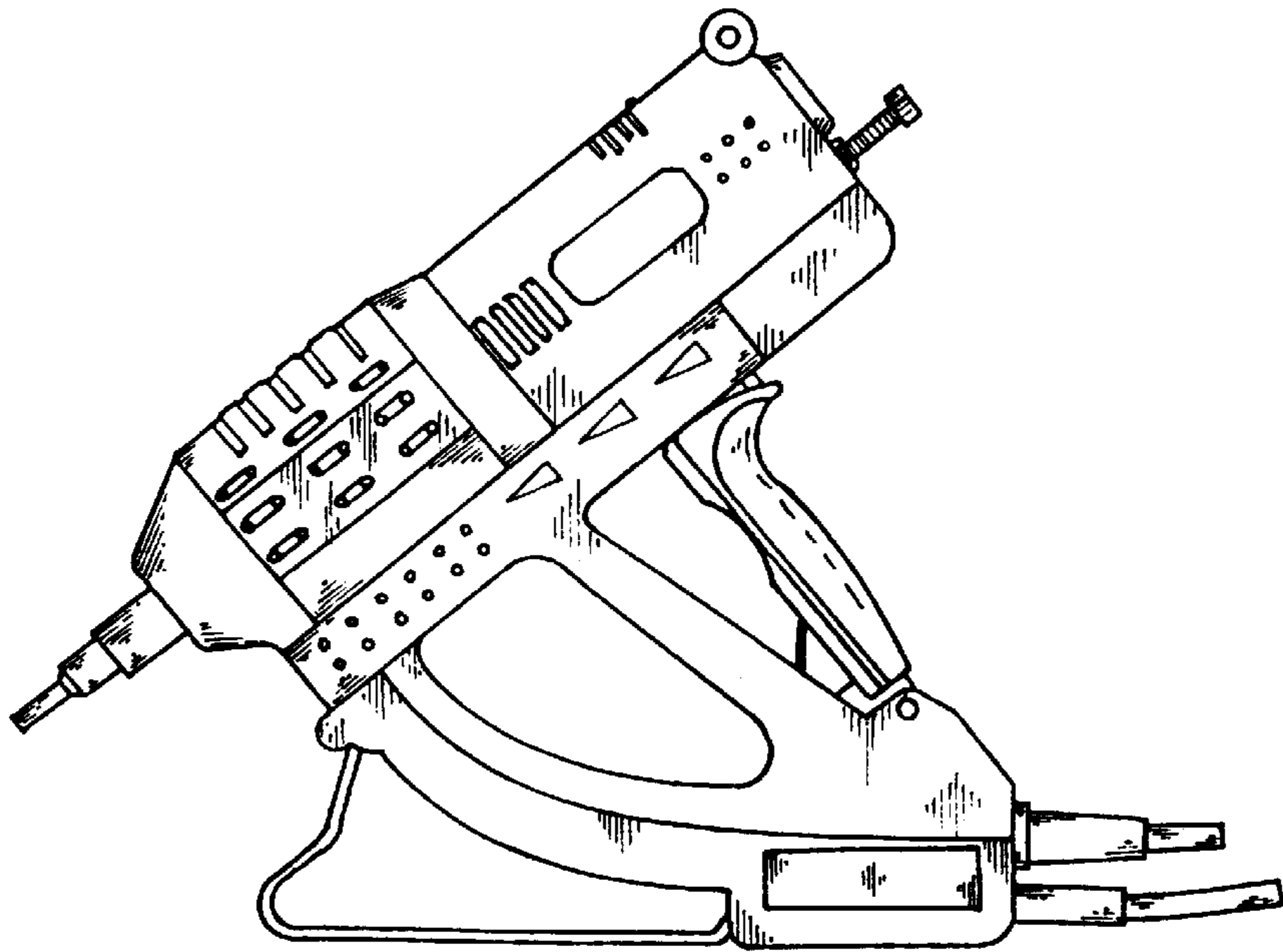


FIG. 3

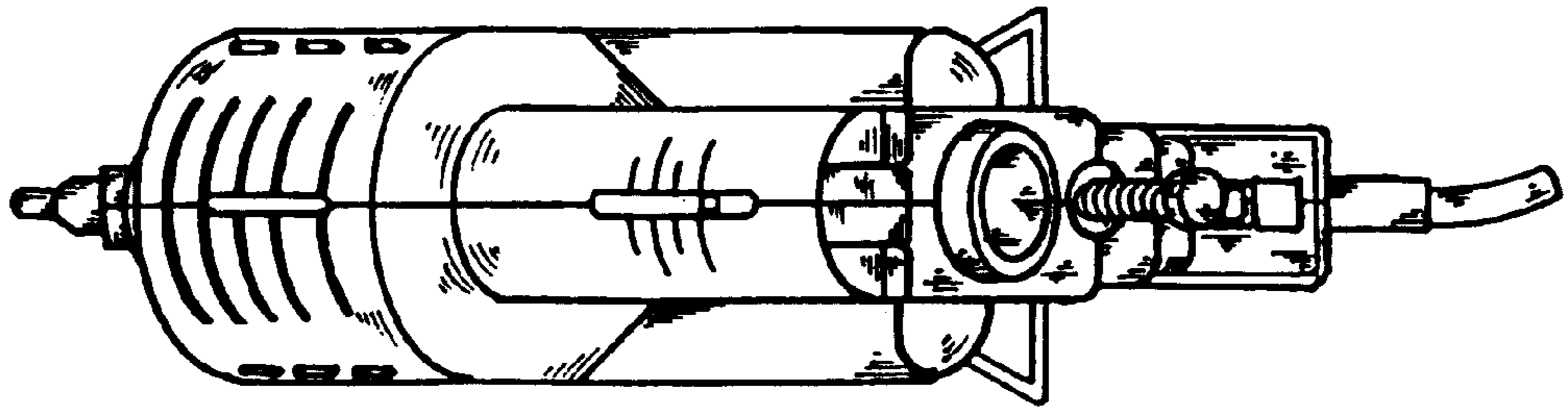


FIG. 4

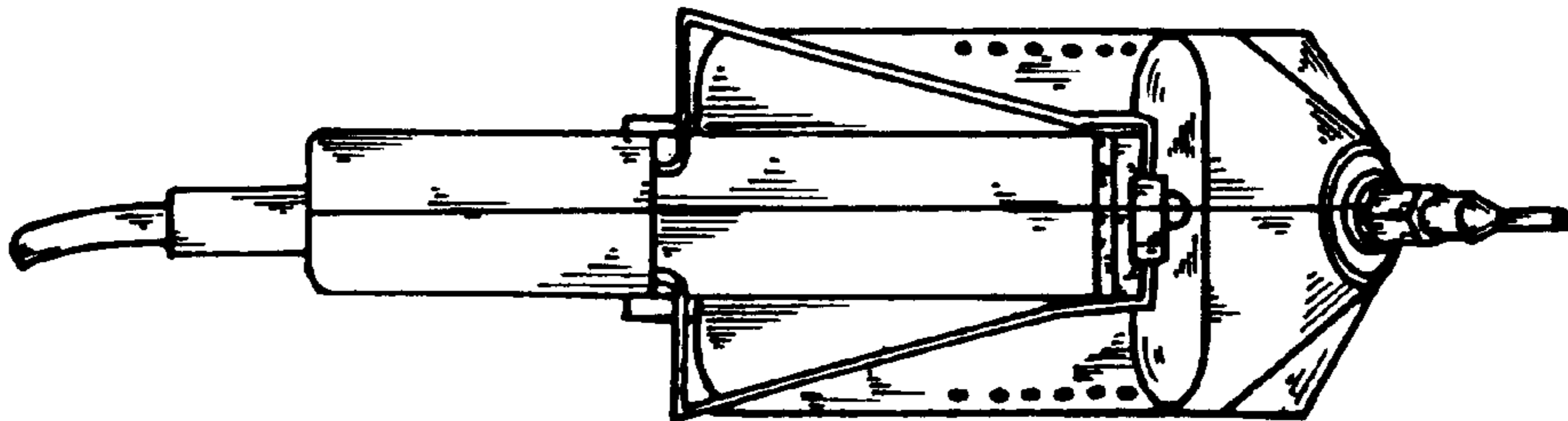


FIG. 5

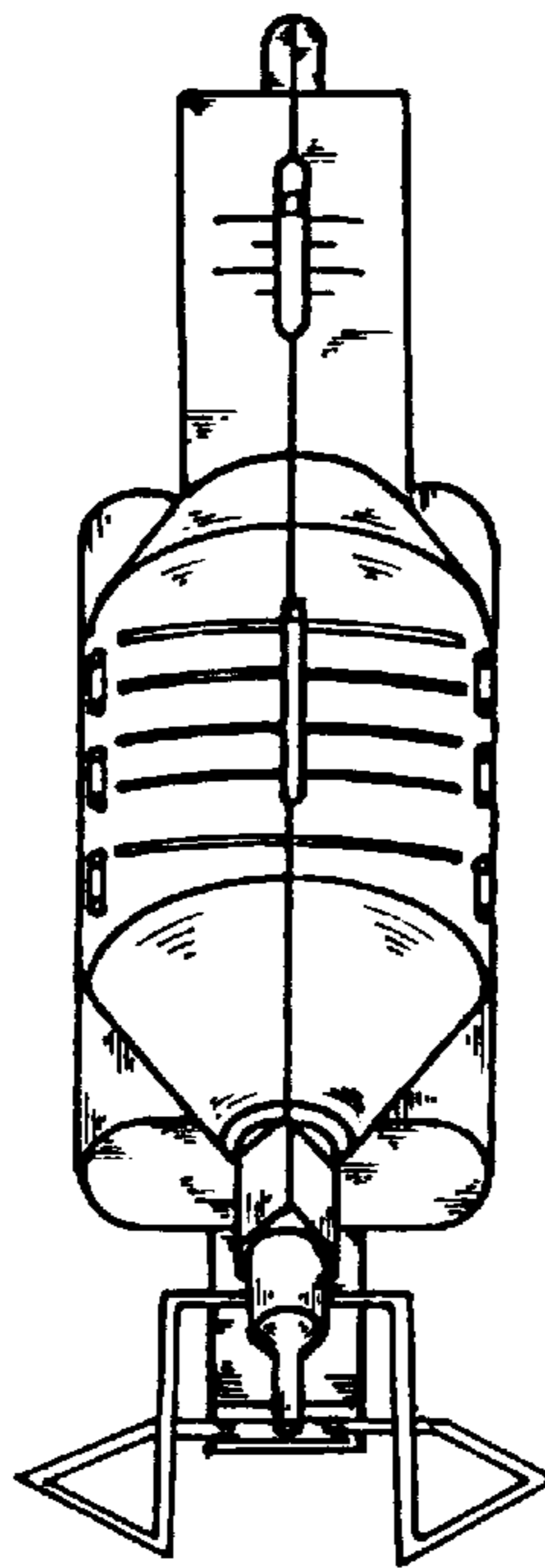


FIG. 6

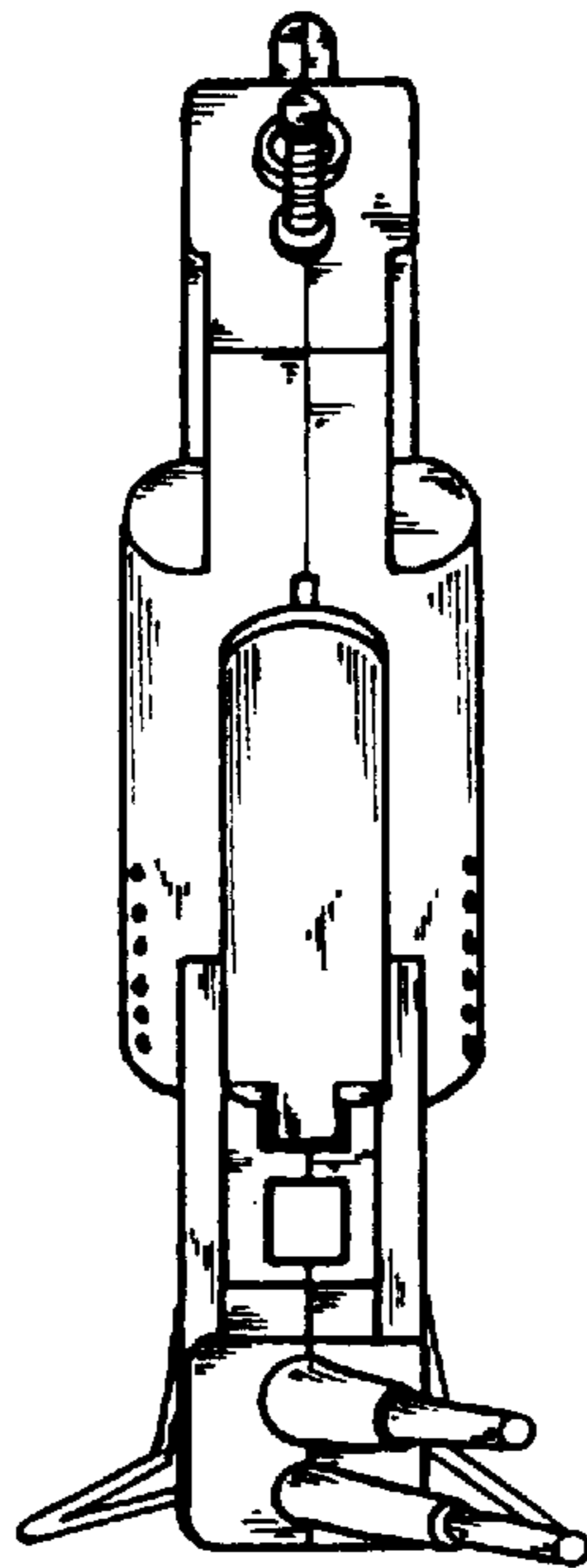


FIG. 7