



US00D455619S

(12) **United States Design Patent**
Chang

(10) **Patent No.:** **US D455,619 S**

(45) **Date of Patent:** **** Apr. 16, 2002**

(54) **EXTENDED DISPENSING DEVICE**

(76) **Inventor:** **Peter J. Chang**, 11001 Petersborough Dr., Rockville, MD (US) 20852

(**) **Term:** **14 Years**

(21) **Appl. No.:** **29/128,047**

(22) **Filed:** **Aug. 17, 2000**

(51) **LOC (7) Cl.** **08-05**

(52) **U.S. Cl.** **D8/14.1**

(58) **Field of Search** D8/14.1, 14; 222/82, 222/83, 391, 174

(56) **References Cited**

U.S. PATENT DOCUMENTS

3,726,440 A *	4/1973	Deeb	222/174
4,262,822 A *	4/1981	Corte	222/174
4,932,565 A *	6/1990	Paradiso	222/174
4,979,649 A *	12/1990	Wescott	222/174

* cited by examiner

Primary Examiner—Philip S. Hyder

(74) *Attorney, Agent, or Firm*—Law Offices of Royal W. Craig

(57) **CLAIM**

The ornamental design for an extended dispensing device, as shown and described.

DESCRIPTION

FIG. 1 is a side perspective view of the extended dispensing device according to my new design.

FIG. 2 is a side view of the extended dispensing device of FIG. 1.

FIG. 3 is a front view of the extended dispensing device of FIGS. 1 and 2.

FIG. 4 is a top view of the extended dispensing device of FIGS. 1–3.

FIG. 5 is a bottom view of the extended dispensing device of FIGS. 1–4; and,

FIG. 6 is a rear view of the extended dispensing device of FIGS. 1–5.

The design of the present invention and as shown in FIGS. 1–6 is an ornamental extended dispensing device. The ornamental features present a decorative outward appearance. The broken line showing of the caulk tube is for illustrative purposes only and forms no part of the claimed design.

1 Claim, 6 Drawing Sheets



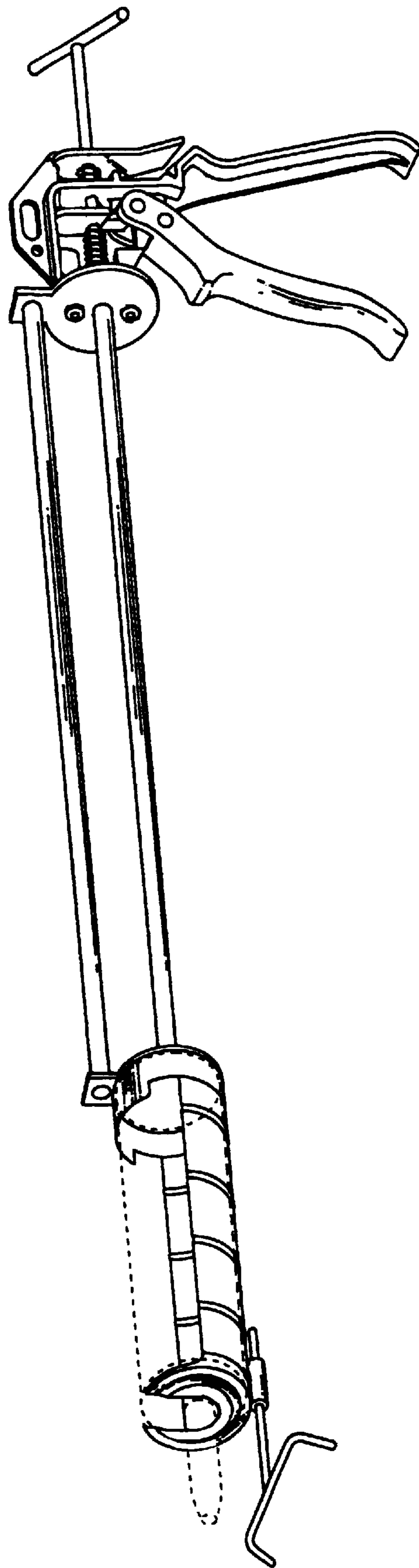


Fig 1

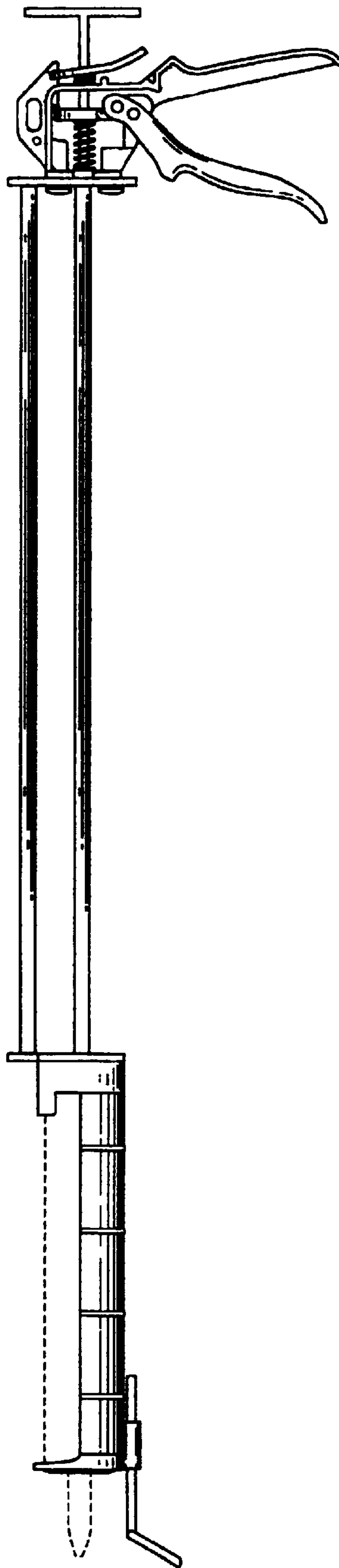


Fig. 2

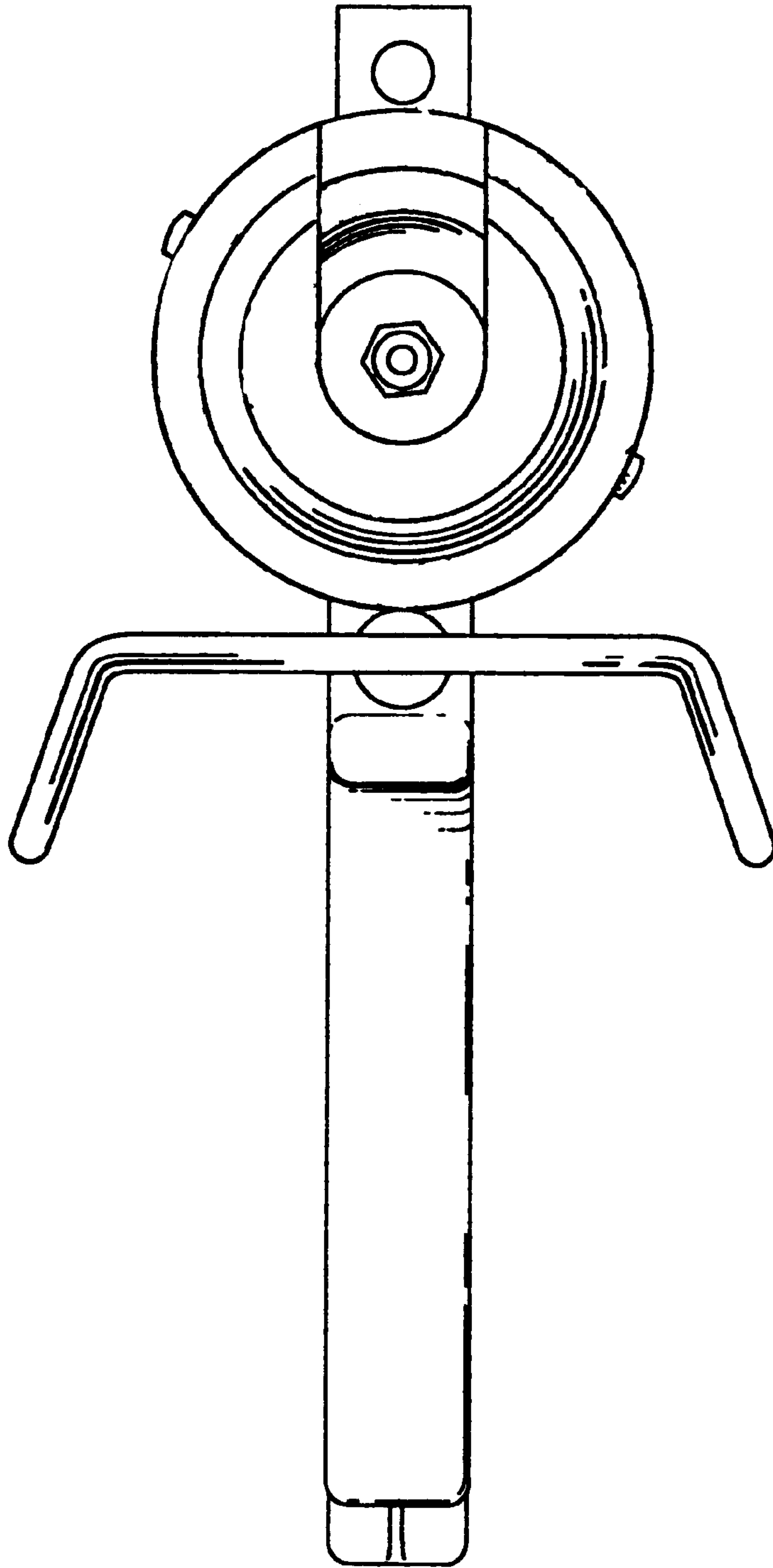


Fig. 3

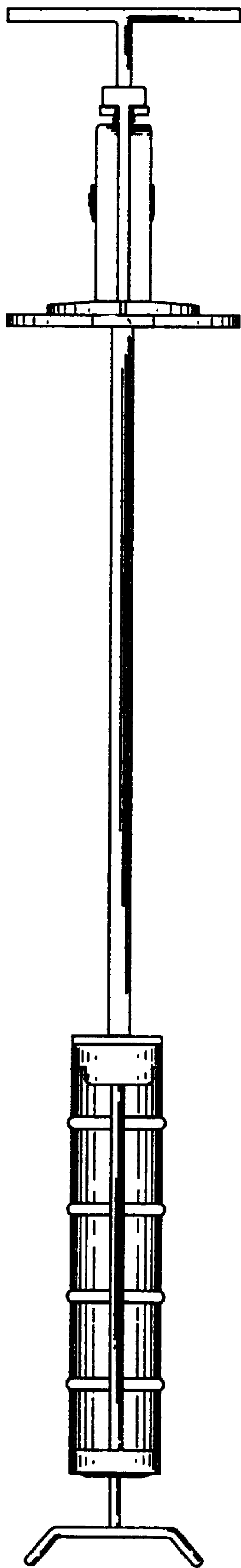


Fig. 4

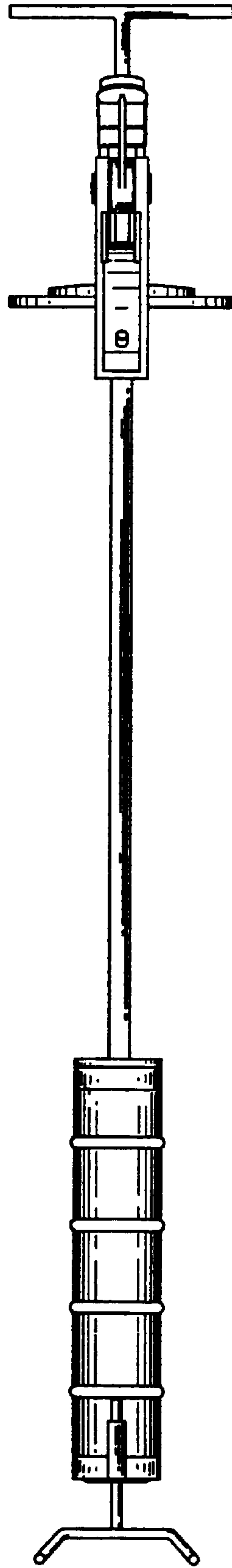


Fig. 5

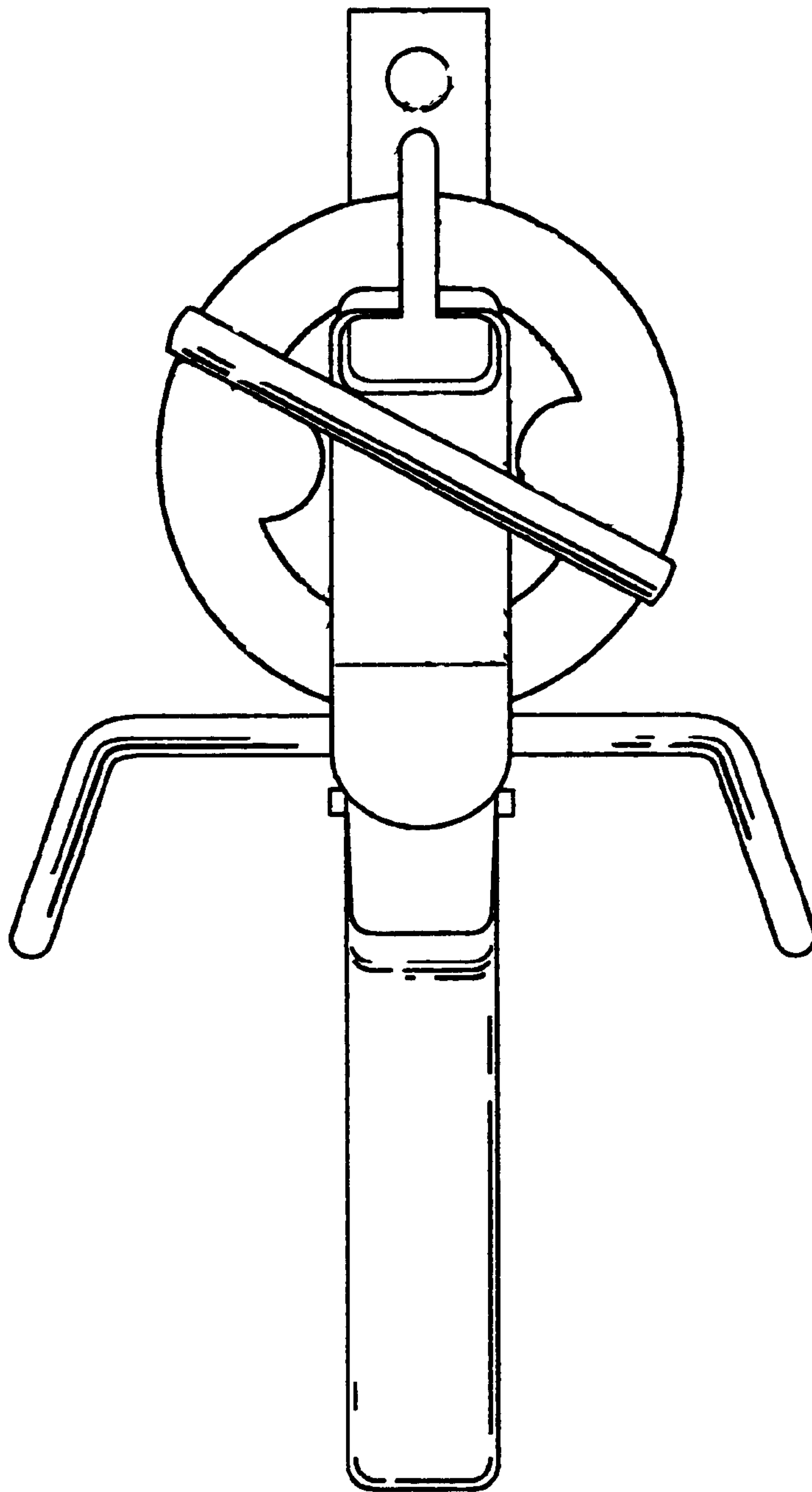


Fig. 6