



US00D455617S

(12) **United States Design Patent**
Craig et al.

(10) **Patent No.:** **US D455,617 S**

(45) **Date of Patent:** **** Apr. 16, 2002**

(54) **RING**

(75) **Inventors:** **Todd W. Craig**, Plano; **Carrie L. Goff**,
Dallas; **Kathy A. Nelson**, Plano, all of
TX (US)

(73) **Assignee:** **Pizza Hut, Inc.**, Dallas, TX (US)

(**) **Term:** **14 Years**

(21) **Appl. No.:** **29/131,945**

(22) **Filed:** **Oct. 30, 2000**

(51) **LOC (7) Cl.** **07-04**

(52) **U.S. Cl.** **D7/677; D7/368**

(58) **Field of Search** **D7/368, 672, 677;**
30/301-303, 305, 315, 316, 114, 117; 99/430,
432, 426, DIG. 15; 425/193, 292, 195,
470, 458

(56) **References Cited**

U.S. PATENT DOCUMENTS

3,322,074 A * 5/1967 Mainory 425/195

3,864,071 A * 2/1975 La Monica 425/470

D307,371 S * 4/1990 D'Orlando D7/677

D311,304 S * 10/1990 Virk D7/672

D358,074 S * 5/1995 McClean D7/672

* cited by examiner

Primary Examiner—Terry A. Wallace

(74) *Attorney, Agent, or Firm*—Dicke, Billig & Czaja, P.A.

(57) **CLAIM**

The ornamental design for a ring, as shown and described.

DESCRIPTION

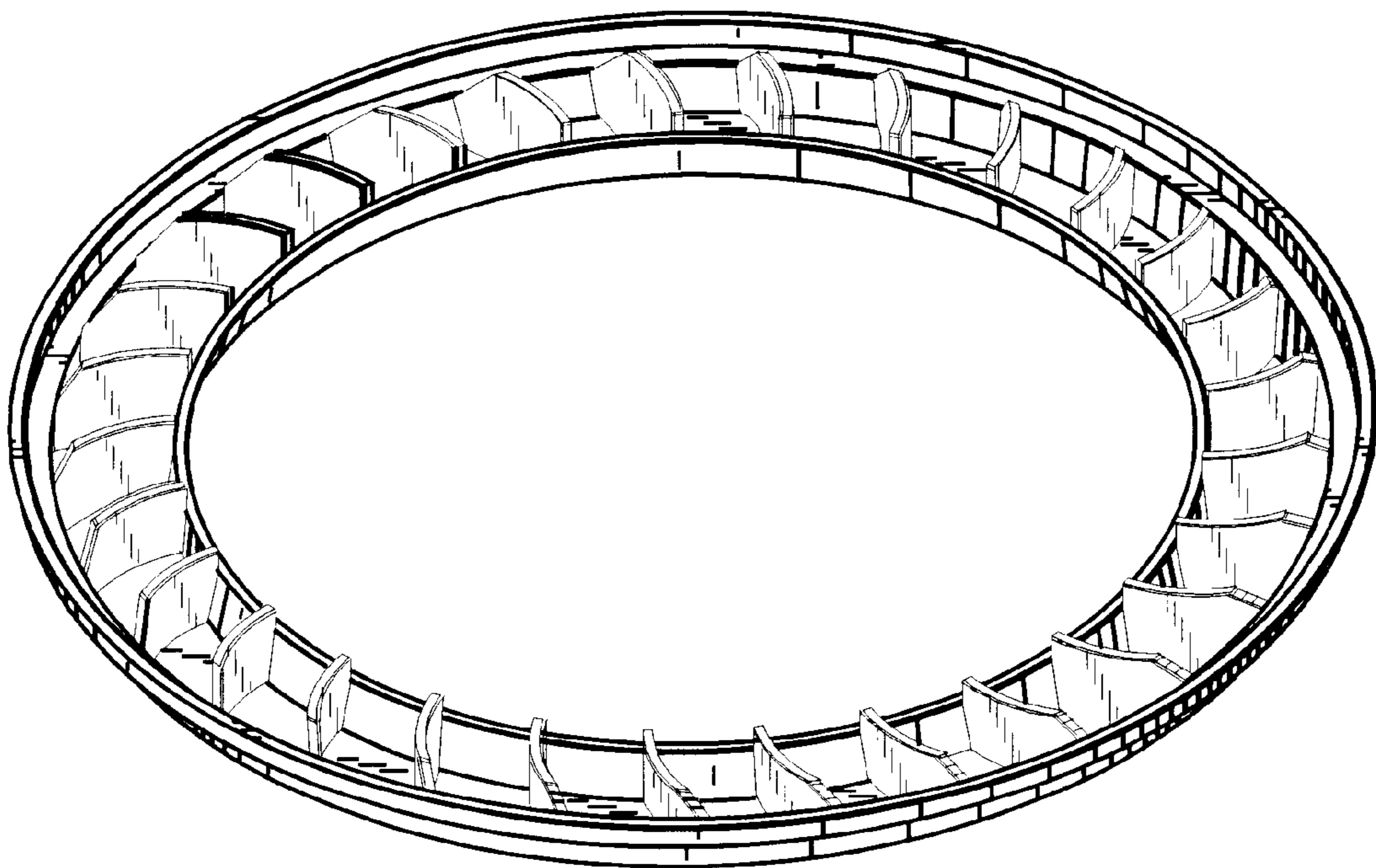
FIG. 1 is a perspective view of a ring according to an embodiment of the invention.

FIG. 2 is a bottom view of a ring according to an embodiment of the invention.

FIG. 3 is a top view of a ring according to an embodiment of the invention; and,

FIG. 4 is a side view of a ring according to an embodiment of the invention. Other side views are identical to FIG. 4 and are omitted.

1 Claim, 2 Drawing Sheets



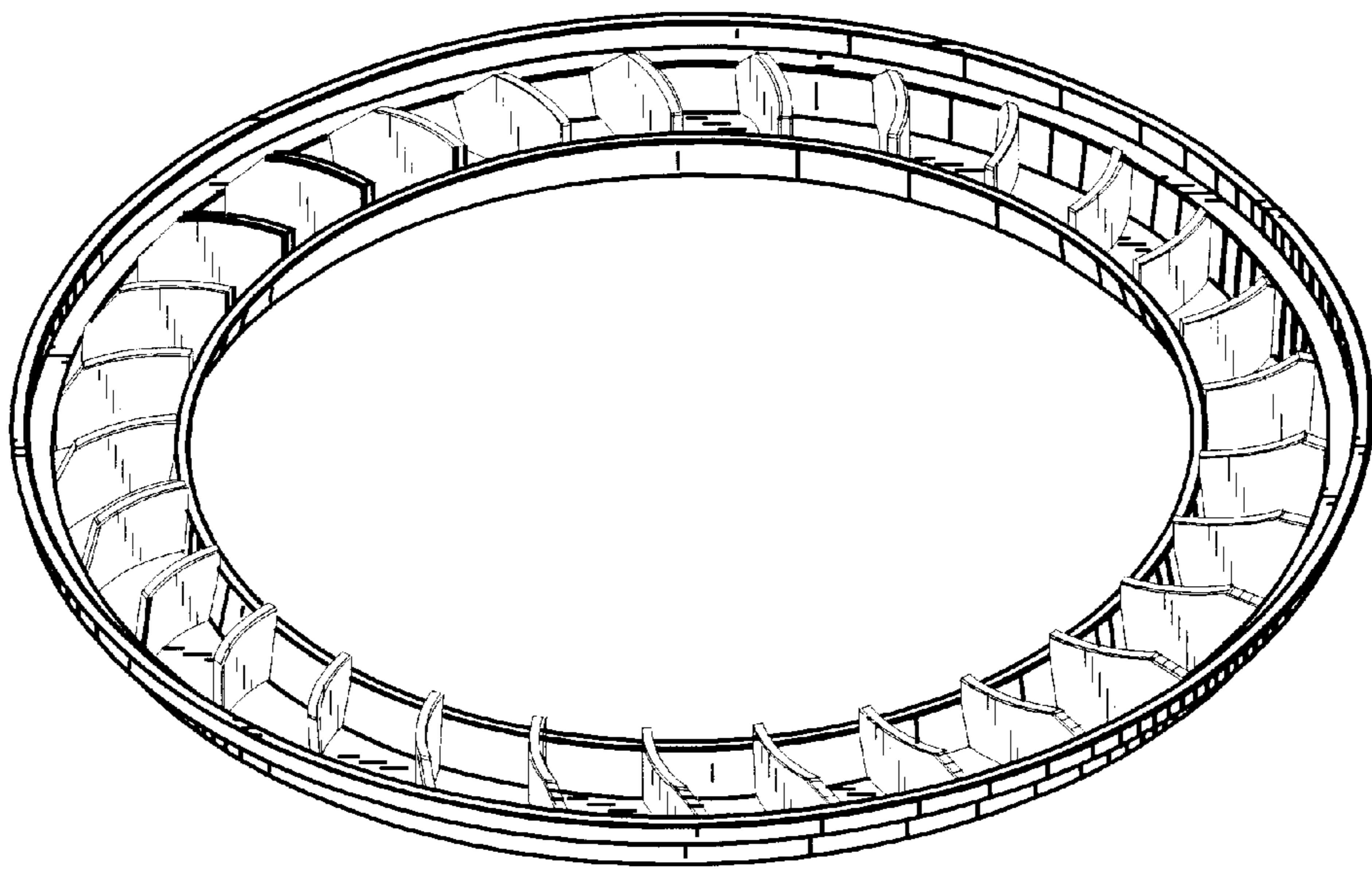


Fig. 1

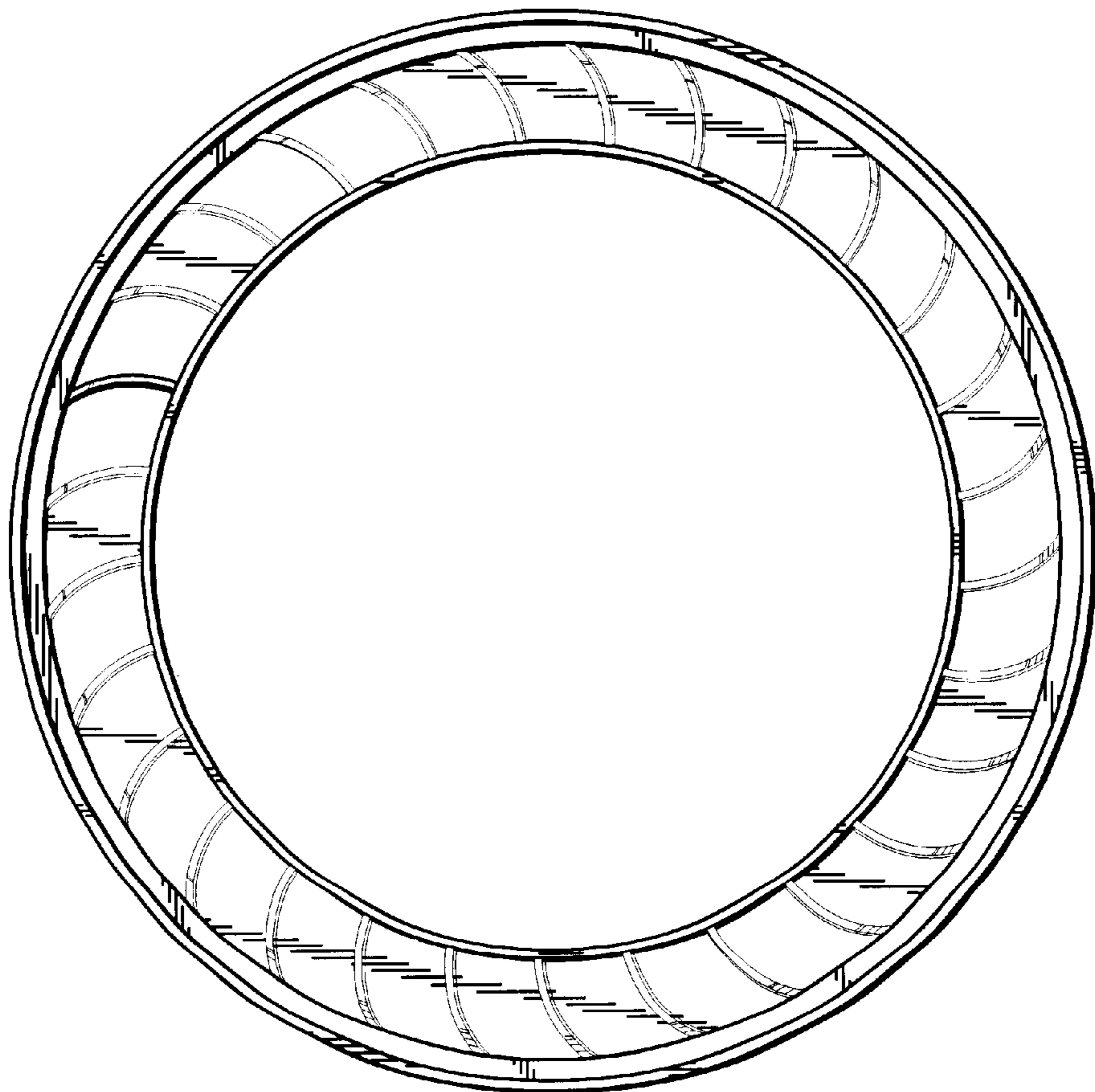


Fig. 2

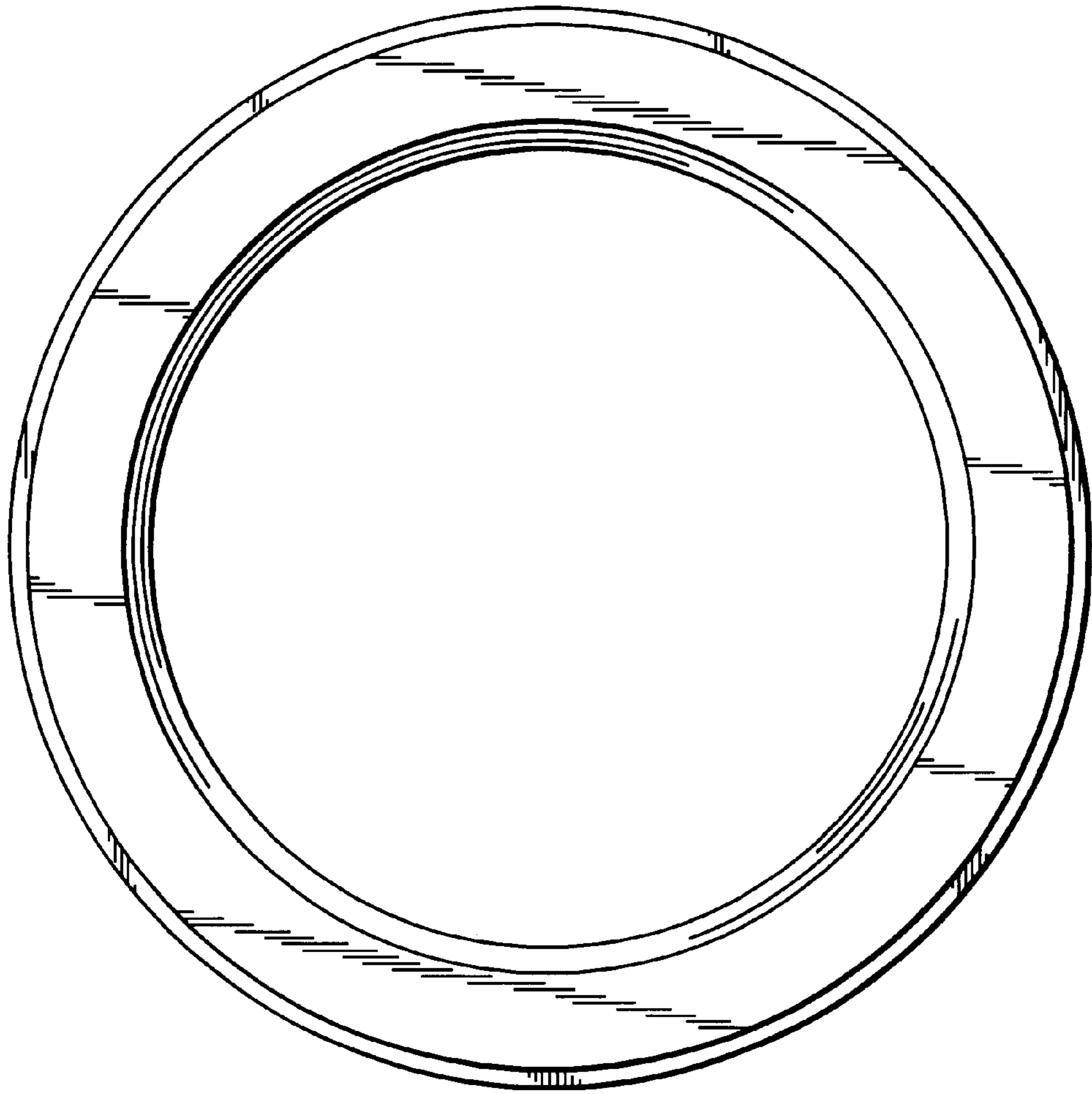


Fig. 3



Fig. 4