



US00D455614S

(12) **United States Design Patent**  
**Miller**

(10) **Patent No.:** **US D455,614 S**

(45) **Date of Patent:** **\*\* Apr. 16, 2002**

(54) **TRIANGULAR FOOD CONTAINER**

(75) Inventor: **D. Scott Miller**, Orlando, FL (US)

(73) Assignee: **Dart Industries Inc.**, Orlando, FL (US)

(\*\*) Term: **14 Years**

(21) Appl. No.: **29/139,671**

(22) Filed: **Apr. 4, 2001**

(51) **LOC (7) Cl.** ..... **07-01**

(52) **U.S. Cl.** ..... **D7/629**

(58) **Field of Search** ..... D7/629, 602, 610,  
D7/538-548; D9/414, 423, 424, 430-432;  
206/551, 545; 220/315, 608, 551, 4.23,  
4.24, 792, 574.1; 229/2.5 R, 107, 115,  
120, 125.17, 406

(56) **References Cited**

**U.S. PATENT DOCUMENTS**

D137,262 S	2/1944	Hiemenz	
2,388,442 A	11/1945	Reyburn	
2,789,608 A	4/1957	Tupper	
D209,847 S	1/1968	Taylor	
3,620,411 A	11/1971	Rump	
4,373,636 A *	2/1983	Hoffman	206/551
4,784,273 A *	11/1988	Niemetz	206/551
D336,589 S	6/1993	Schindler	

5,363,978 A	11/1994	Molo	
D389,012 S	1/1998	Miller	D7/391
D391,808 S	3/1998	Voege	D7/629
D418,371 S	1/2000	Whitehead	D7/538

**OTHER PUBLICATIONS**

D. Scott Miller—Pizza Slice Container—29/110,719—Sep. 10, 1999.

\* cited by examiner

*Primary Examiner*—Terry A. Wallace

(74) *Attorney, Agent, or Firm*—Taylor J. Ross

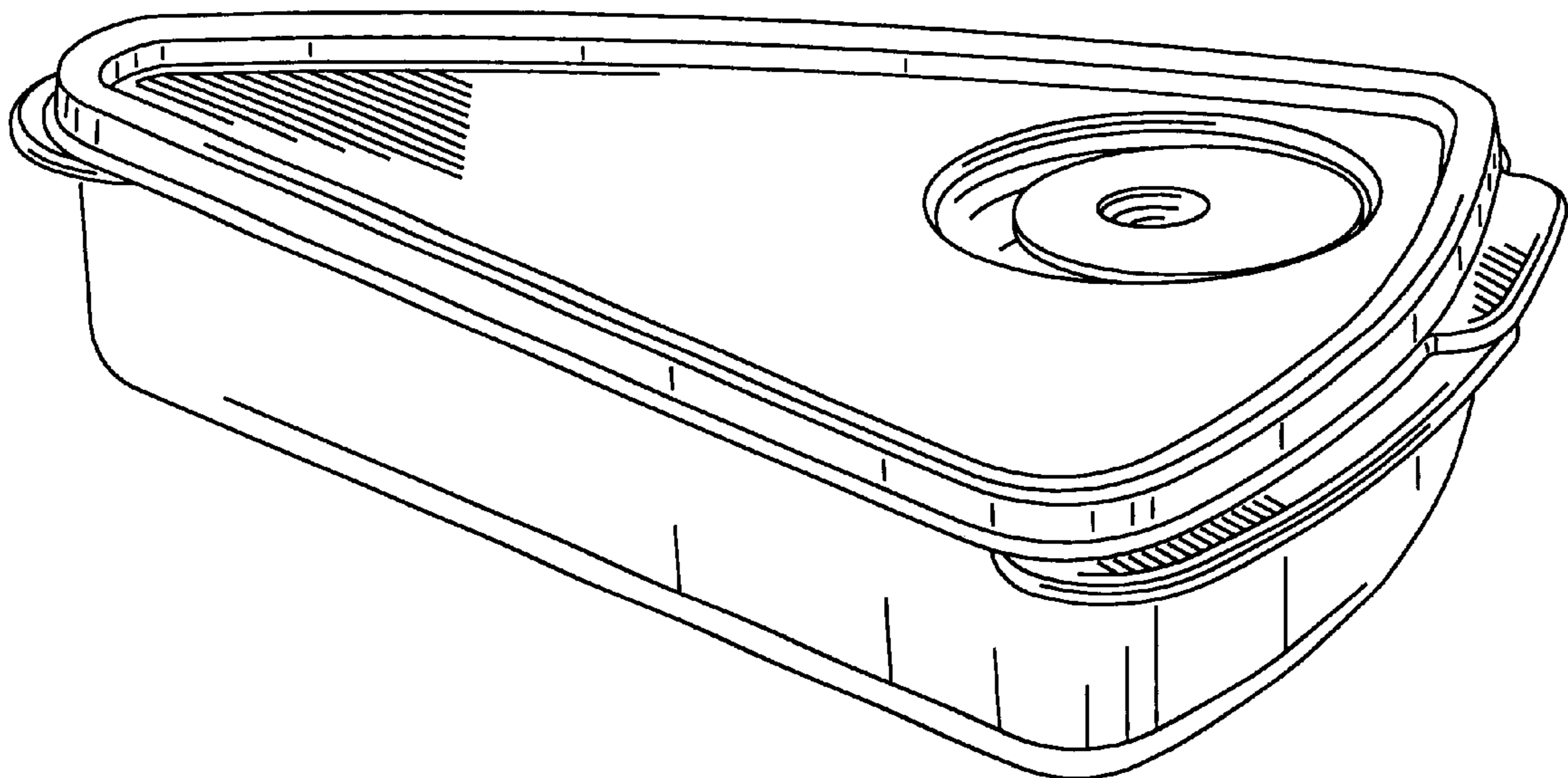
(57) **CLAIM**

The ornamental design for a triangular food container, as shown and described.

**DESCRIPTION**

FIG. 1 is a top, side and front perspective view of a triangular food container showing the new design; FIG. 2 is a front elevation view thereof; FIG. 3 is a rear elevation view thereof; FIG. 4 is a right side elevation view thereof; FIG. 5 is a left side elevation view thereof; FIG. 6 is a top plan view thereof; and, FIG. 7 is a bottom plan view thereof.

**1 Claim, 3 Drawing Sheets**



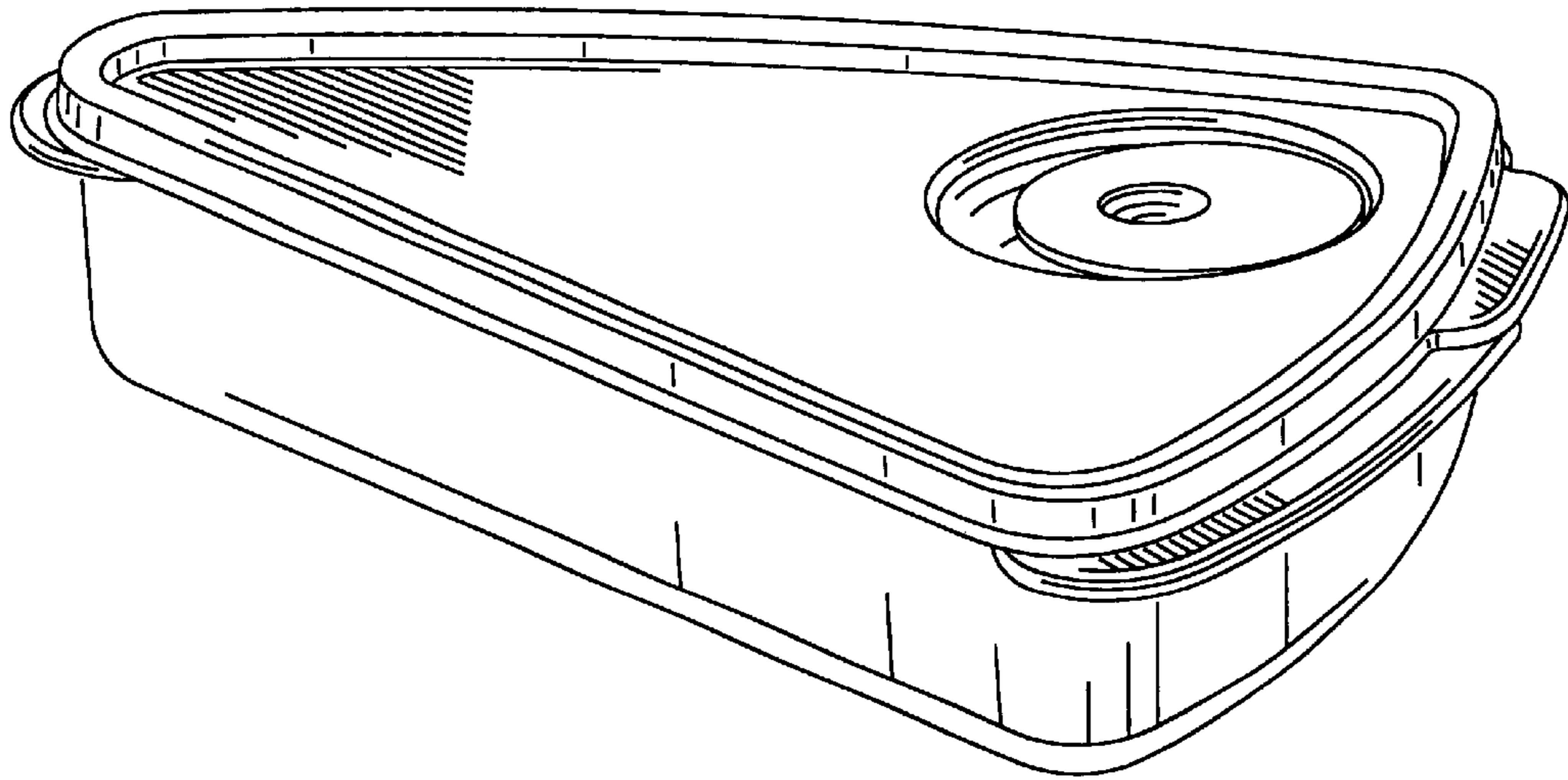


FIG. 1

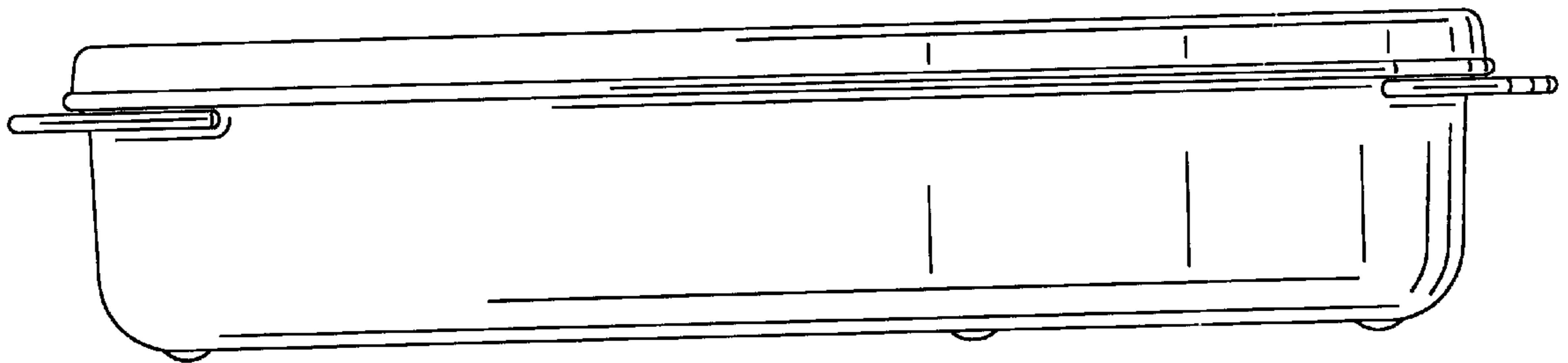


FIG. 2

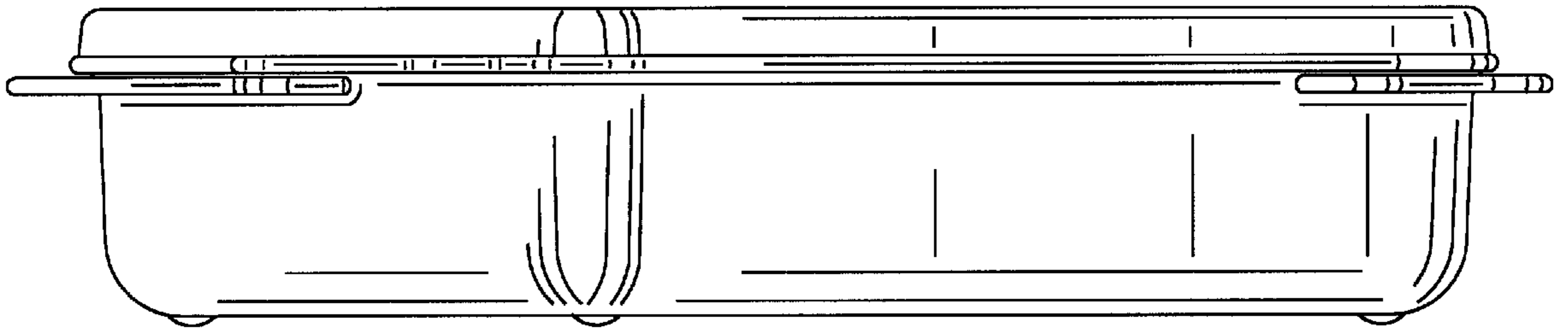


FIG. 3

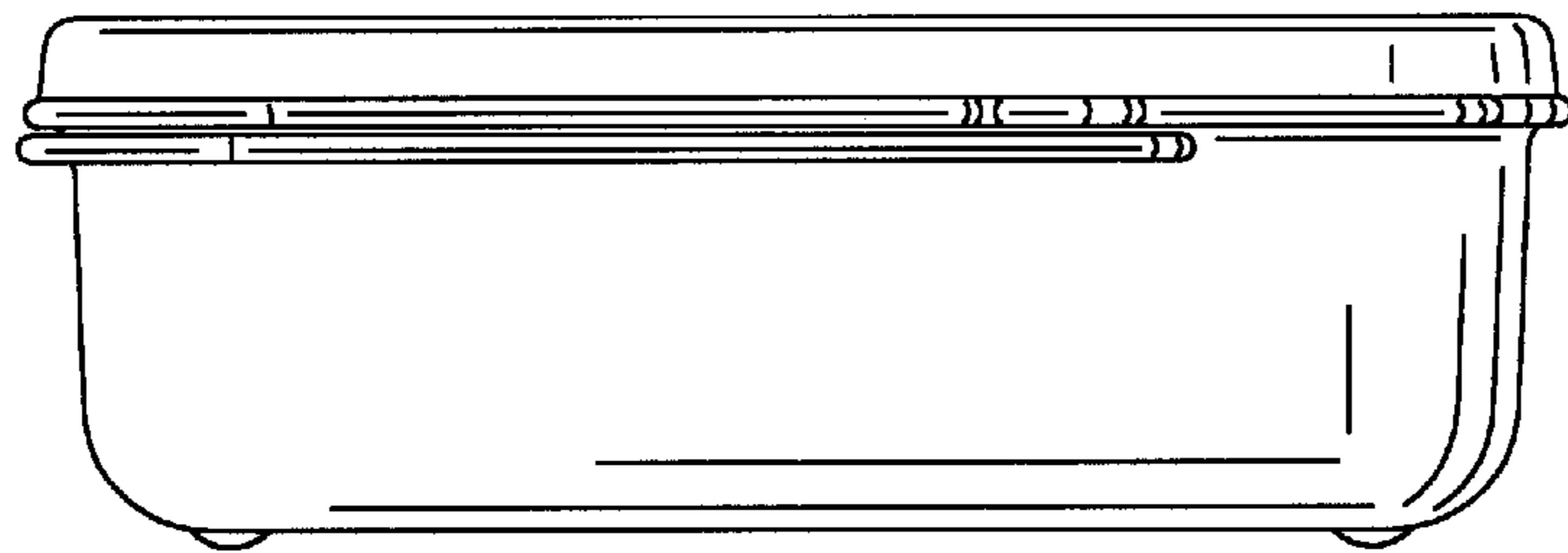


FIG. 4

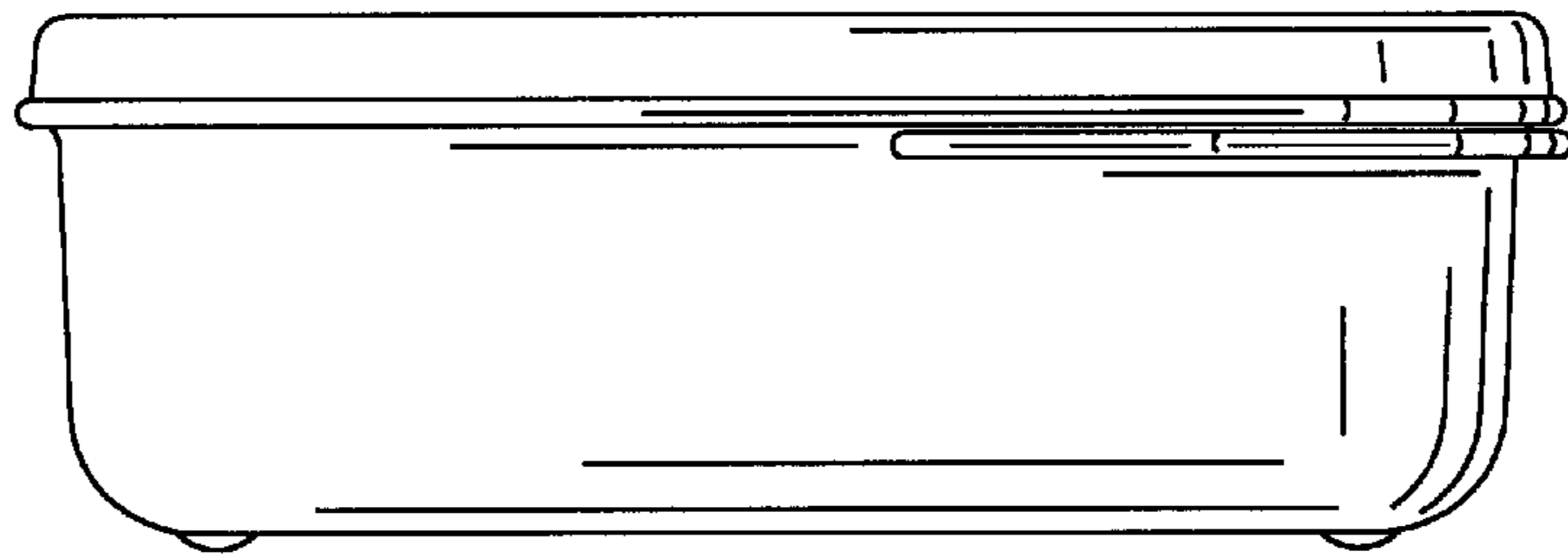


FIG. 5

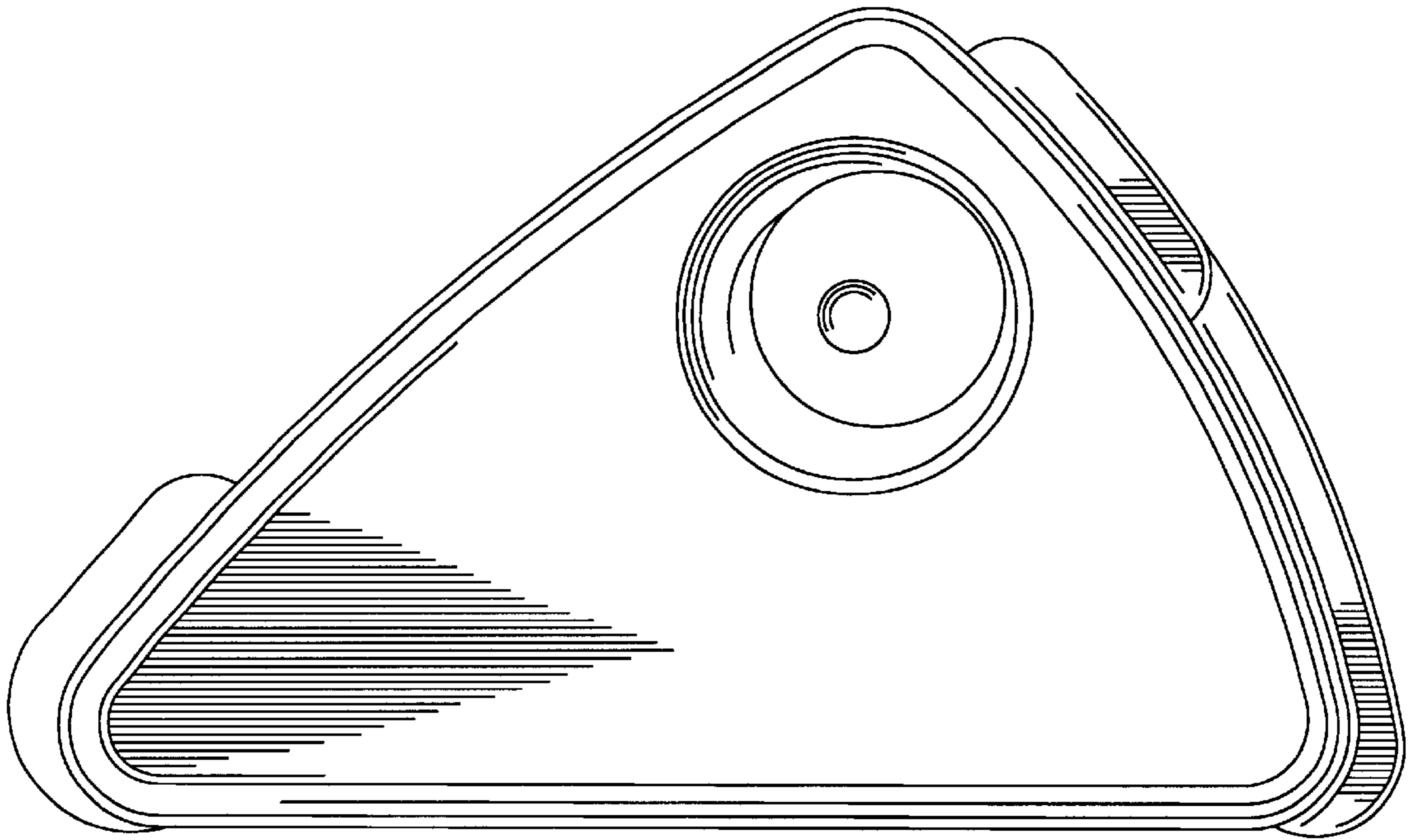


FIG. 6

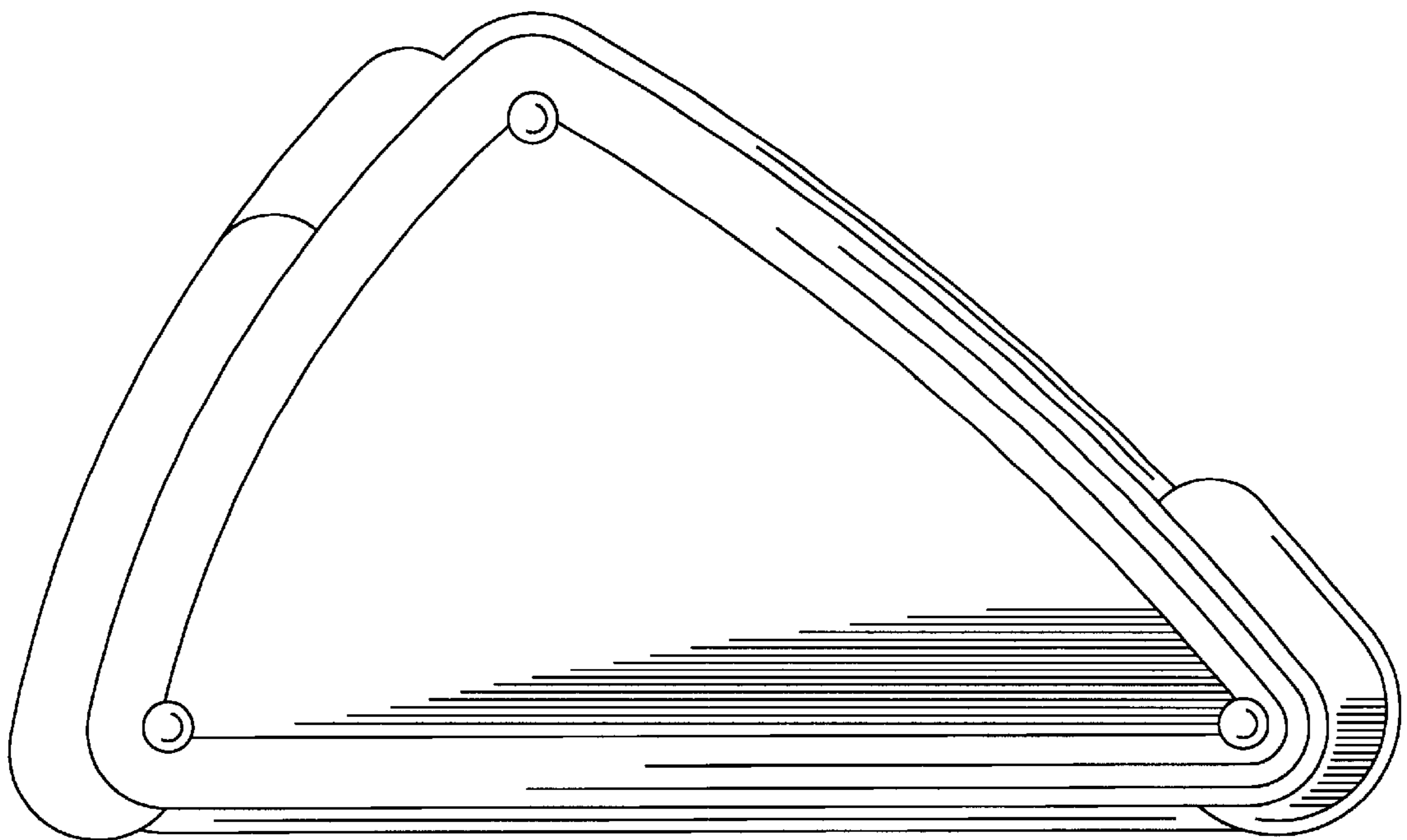


FIG. 7