



US00D455613S

(12) **United States Design Patent**
Bruinsma et al.

(10) **Patent No.:** **US D455,613 S**

(45) **Date of Patent:** **** Apr. 16, 2002**

(54) **CUP HOLDER**

(76) Inventors: **Dirk Bruinsma**, 308 Via Promesa, San Clemente, CA (US) 92673; **Bruce H. Hale**, #4 Lexington, Irvine, CA (US) 92620

(**) Term: **14 Years**

(21) Appl. No.: **29/137,600**

(22) Filed: **Feb. 22, 2001**

(51) **LOC (7) Cl.** **07-06**

(52) **U.S. Cl.** **D7/622**

(58) **Field of Search** D7/619-624, 533;
215/396; 294/27.1, 31.2; 220/737-740,
752, 755

(56) **References Cited**

U.S. PATENT DOCUMENTS

1,338,480	A	*	4/1920	Altenberg	215/396
2,967,071	A	*	1/1961	Deschene	294/31.2
D222,554	S		11/1971	Cockrum		
D233,317	S		10/1974	Catelli		
4,552,276	A	*	11/1985	Buch	215/396
4,620,631	A		11/1986	Bartelt		
4,928,848	A		5/1990	Ballway		
4,993,675	A		2/1991	Walker		
D333,072	S		2/1993	Hung		
D370,384	S		6/1996	Shamis		

D378,335 S 3/1997 Liebling et al.

5,655,805 A 8/1997 Shaddy

D395,205 S 6/1998 Inwood et al.

5,775,570 A 7/1998 Kim

D405,321 S 2/1999 Martorana

* cited by examiner

Primary Examiner—Terry A. Wallace

(74) *Attorney, Agent, or Firm*—Fulwider Patton Lee & Utecht, LLP

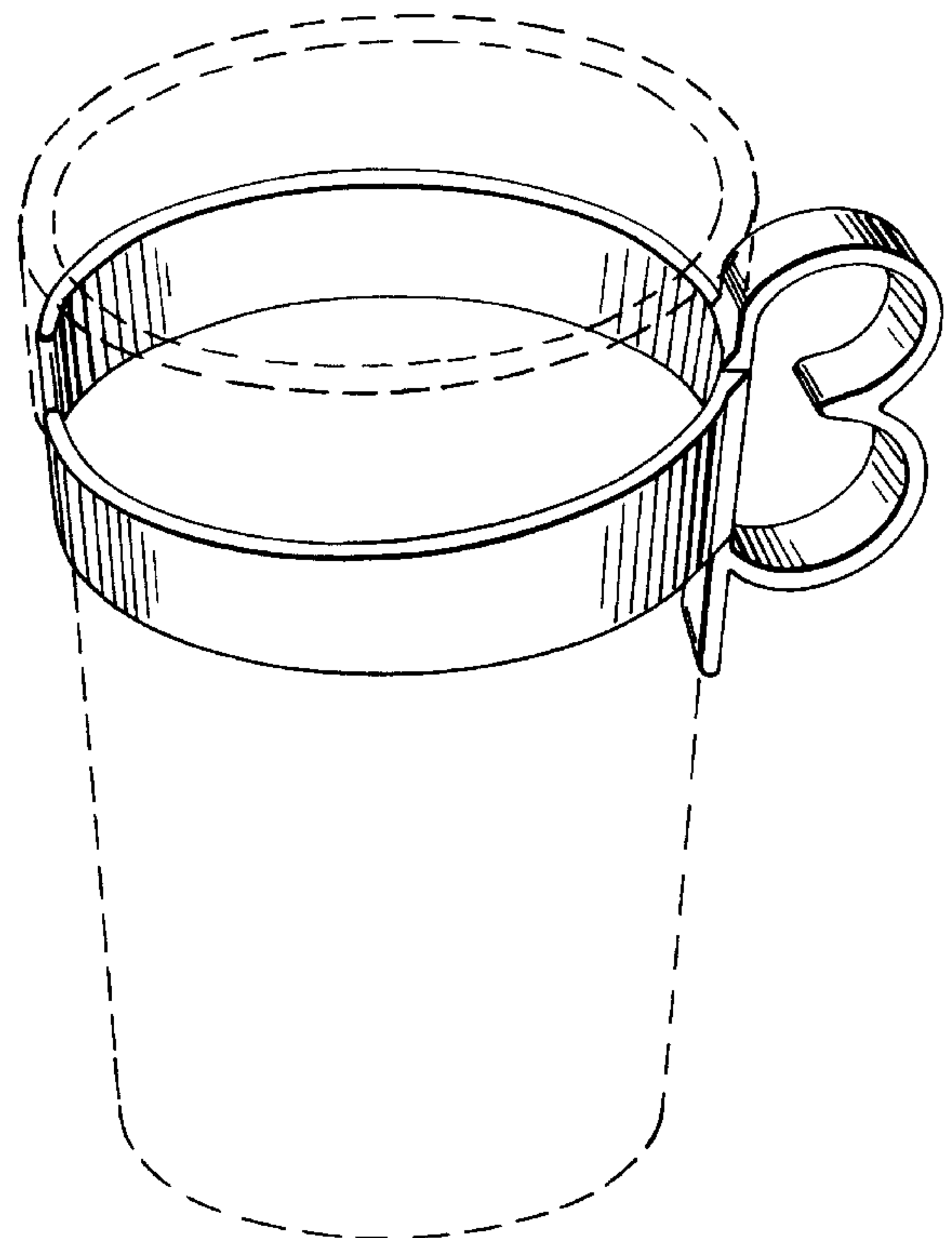
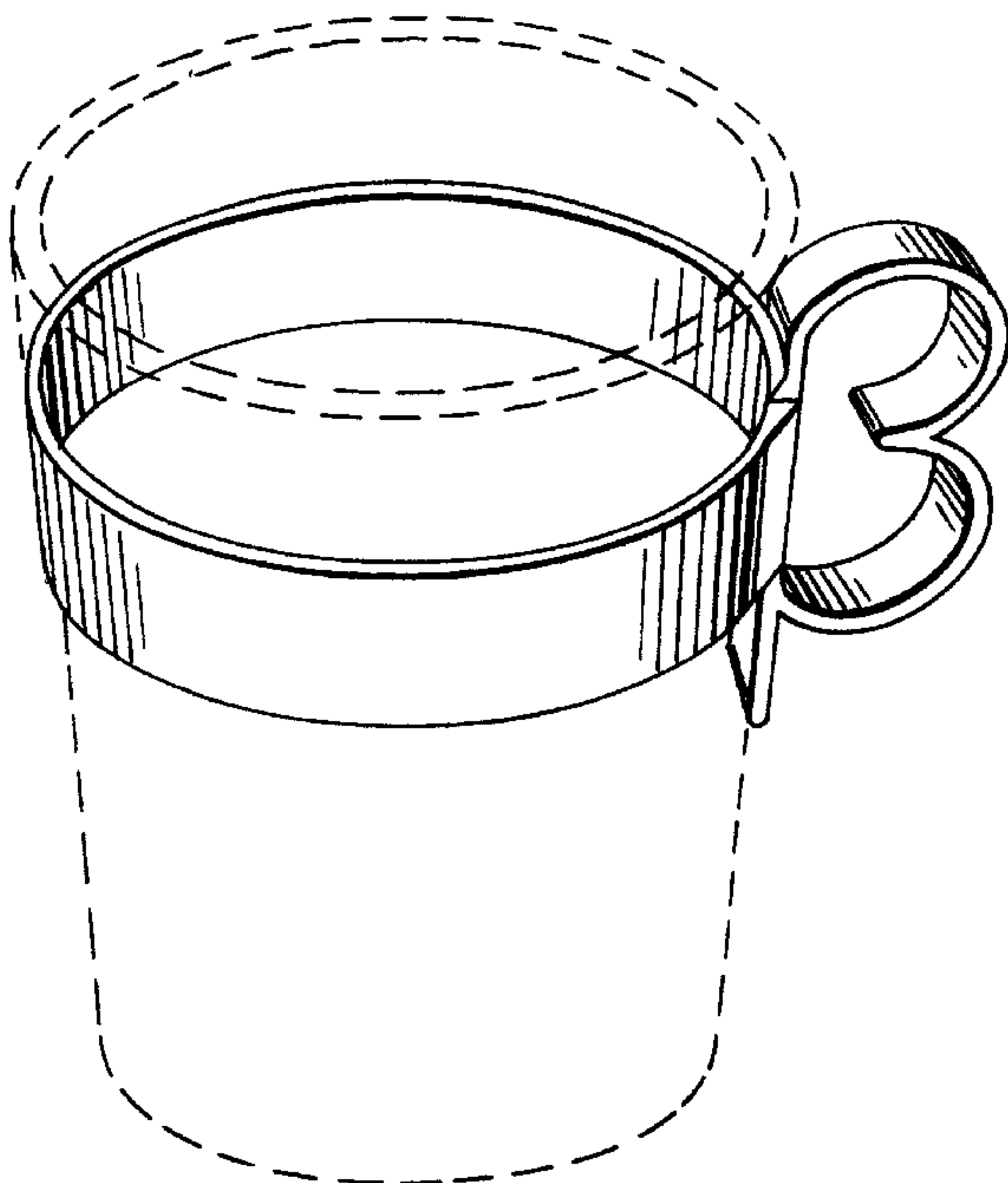
(57) **CLAIM**

The ornamental design for a cup holder, as shown and described.

DESCRIPTION

FIG. 1 is a perspective view showing my new design; FIG. 2 is a front view thereof; FIG. 3 is a left end view thereof; FIG. 4 is a right end view thereof; FIG. 5 is a top view thereof; FIG. 6 is a bottom view thereof. FIG. 7 is a perspective view showing a second embodiment of my new design; FIG. 8 is a left end view thereof of the second embodiment; FIG. 9 is a top view thereof of the second embodiment; and, FIG. 10 is a bottom view thereof of the second embodiment.

1 Claim, 4 Drawing Sheets



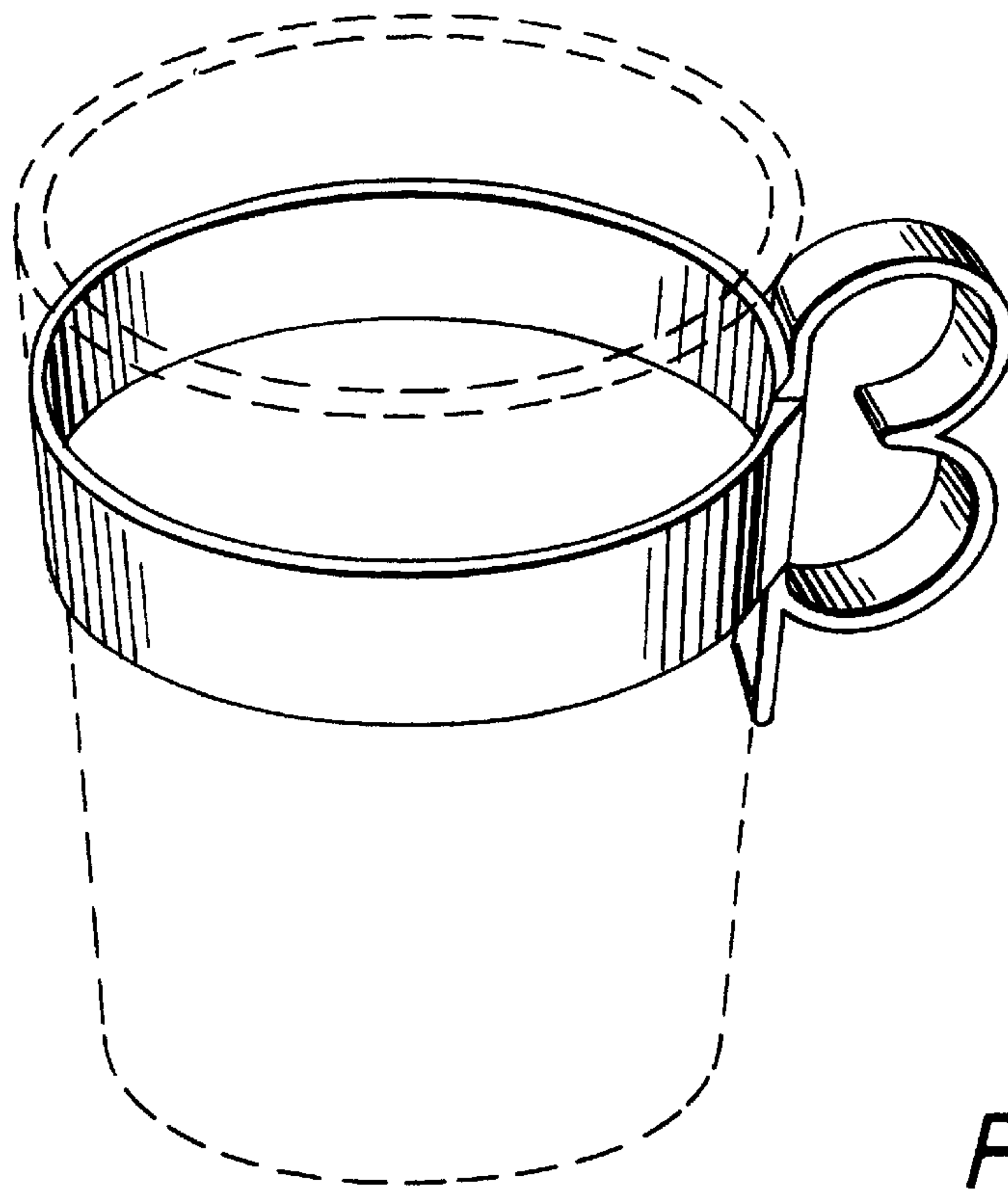


FIG. 1

FIG. 2

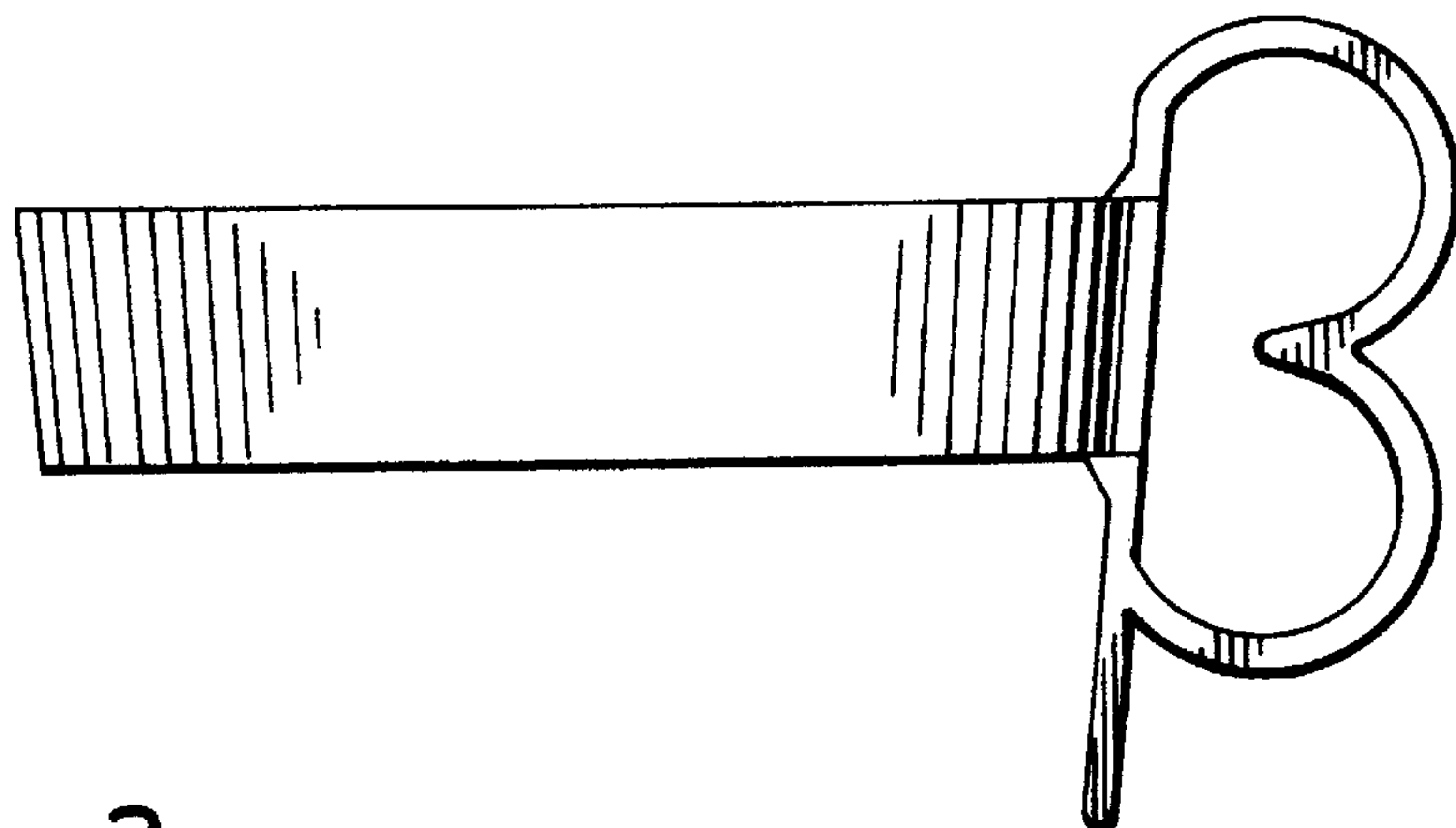


FIG. 3

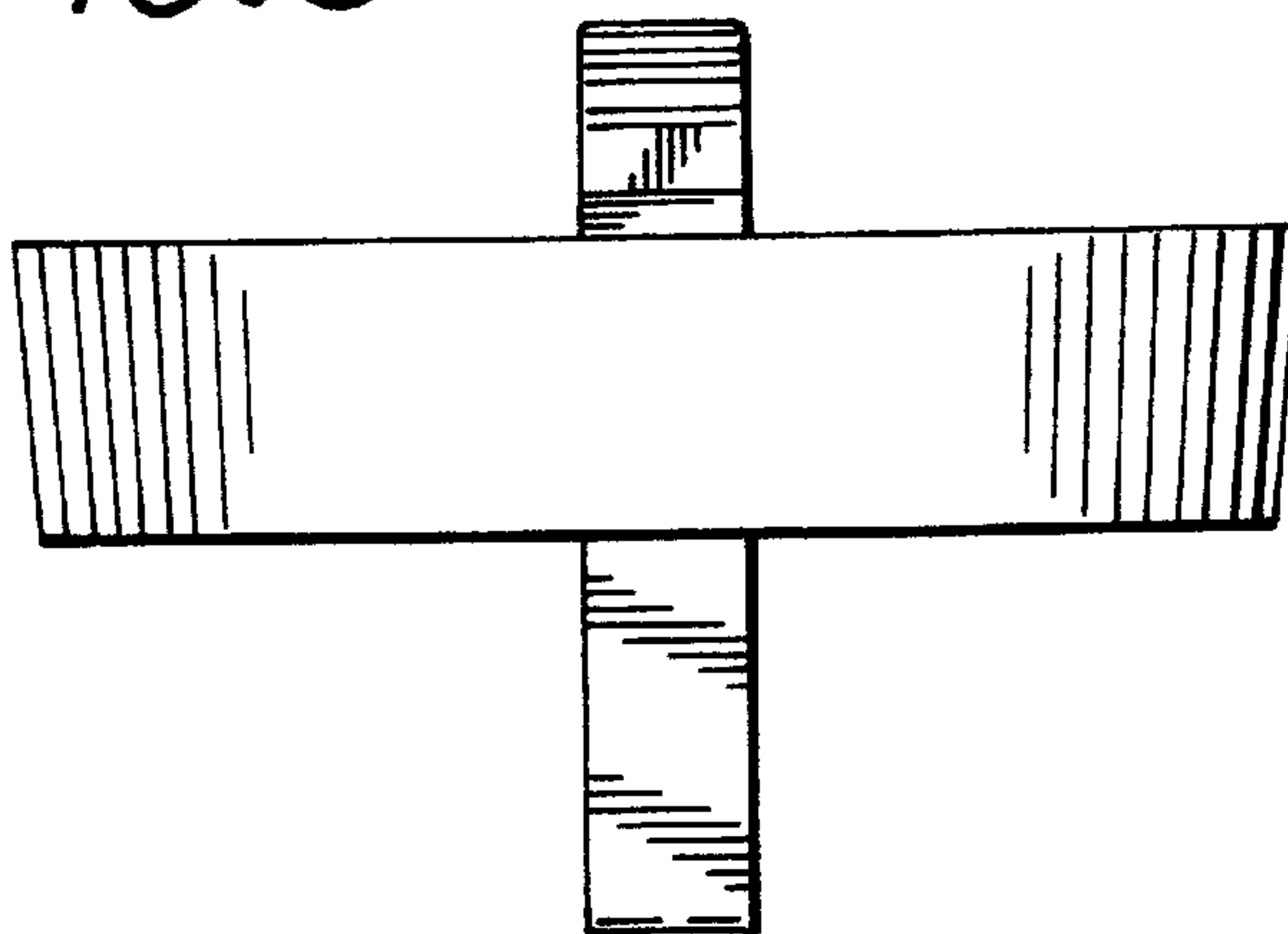


FIG. 4

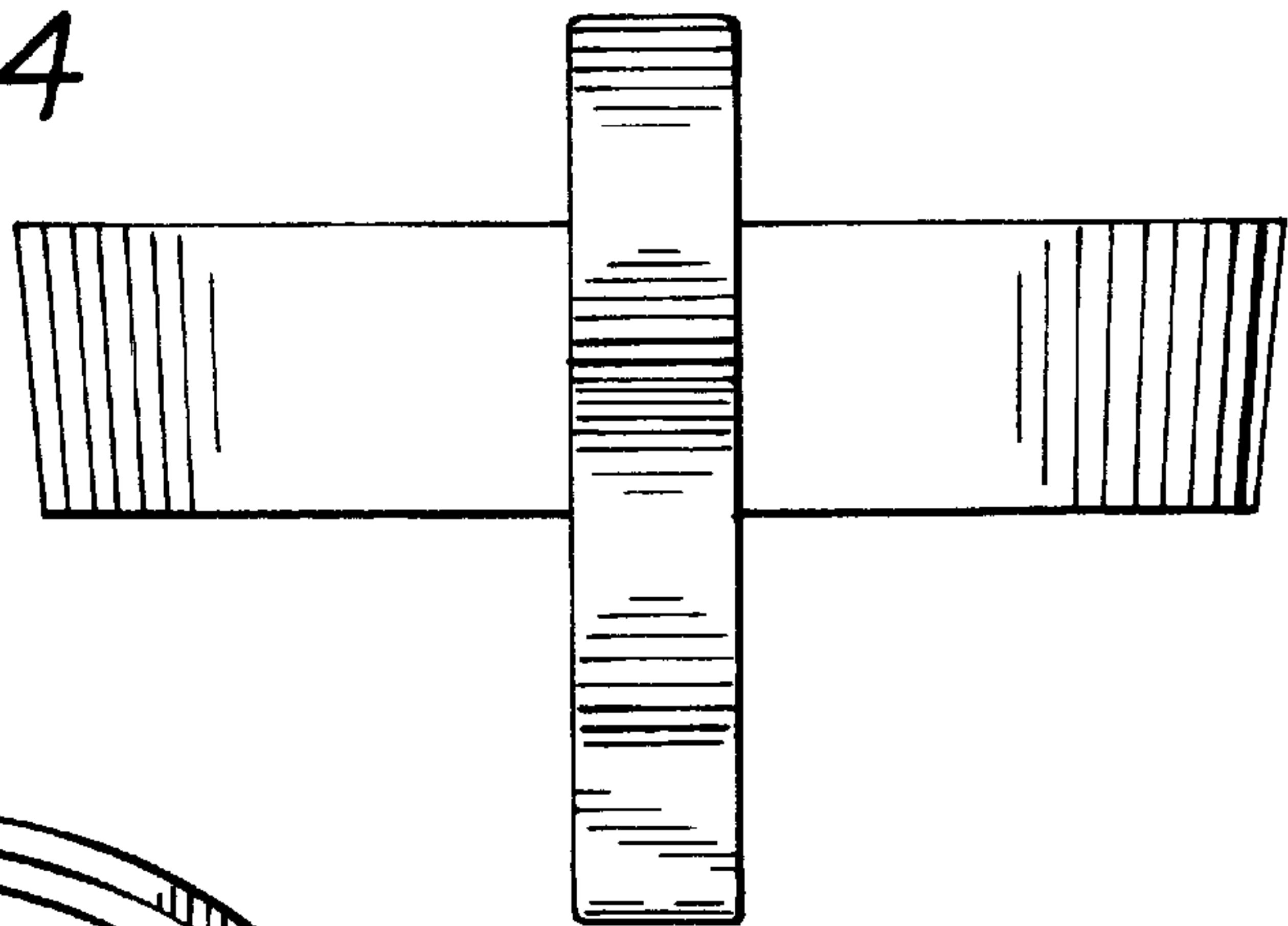


FIG. 5

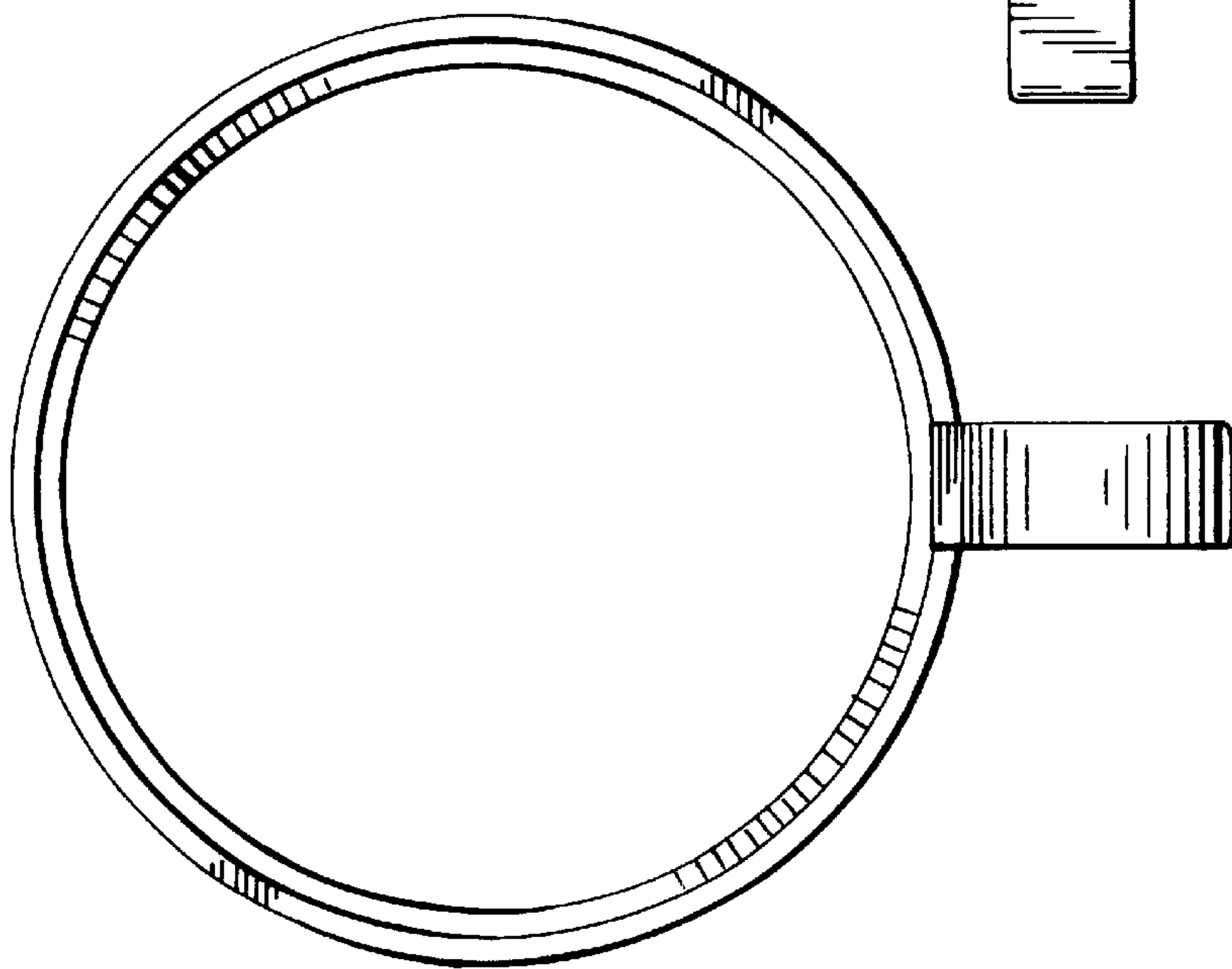


FIG. 6

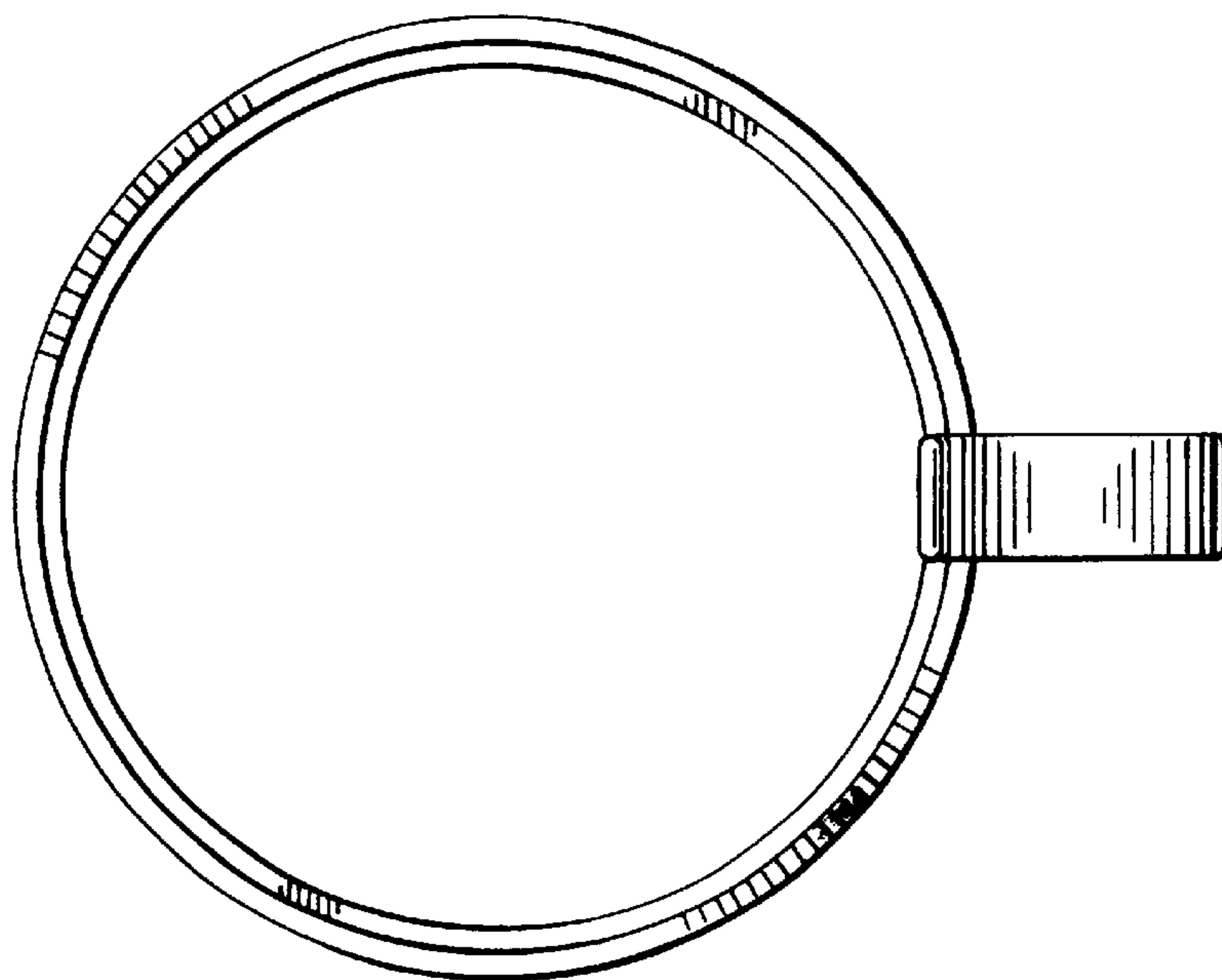


FIG. 7

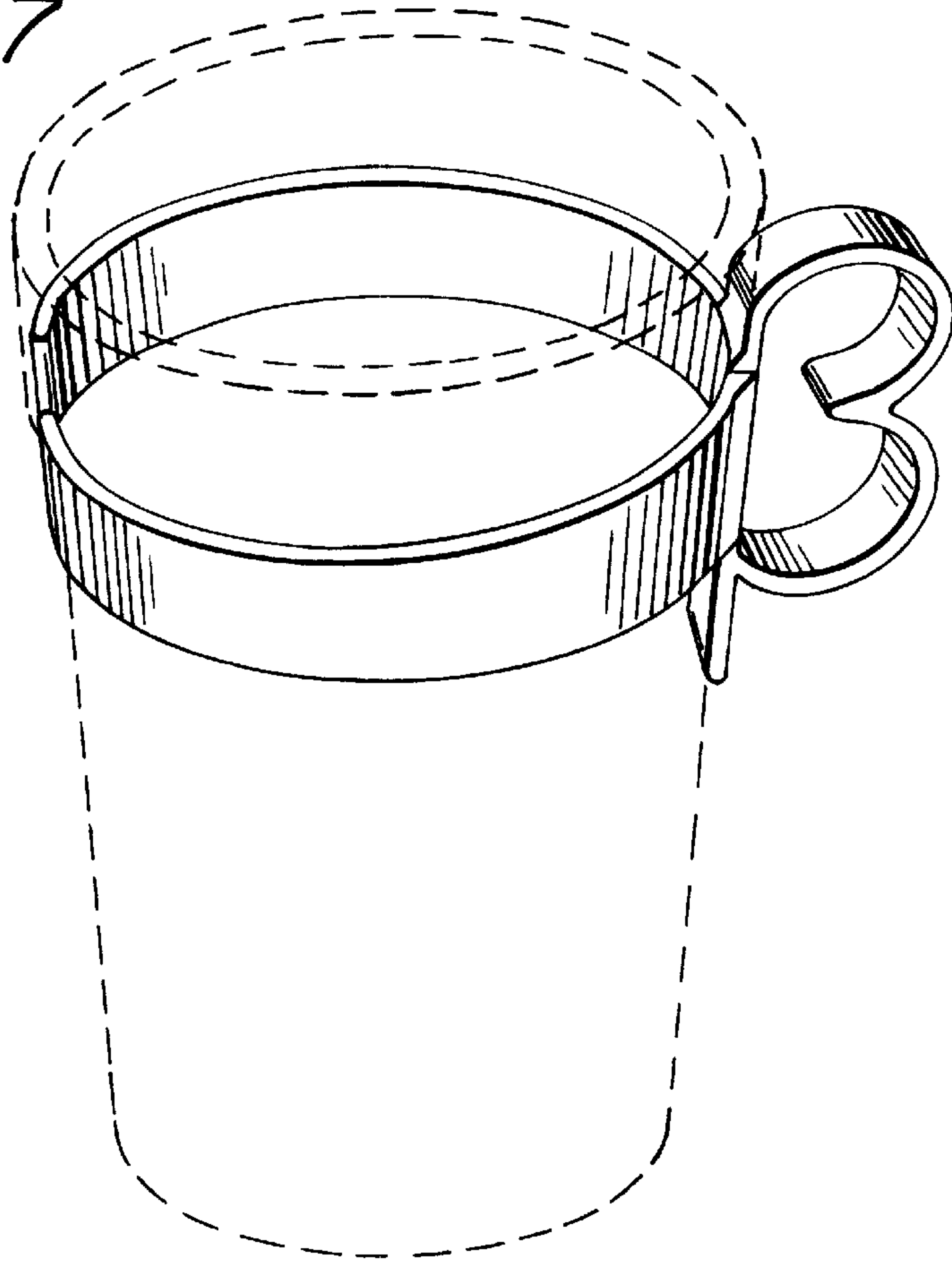


FIG. 8

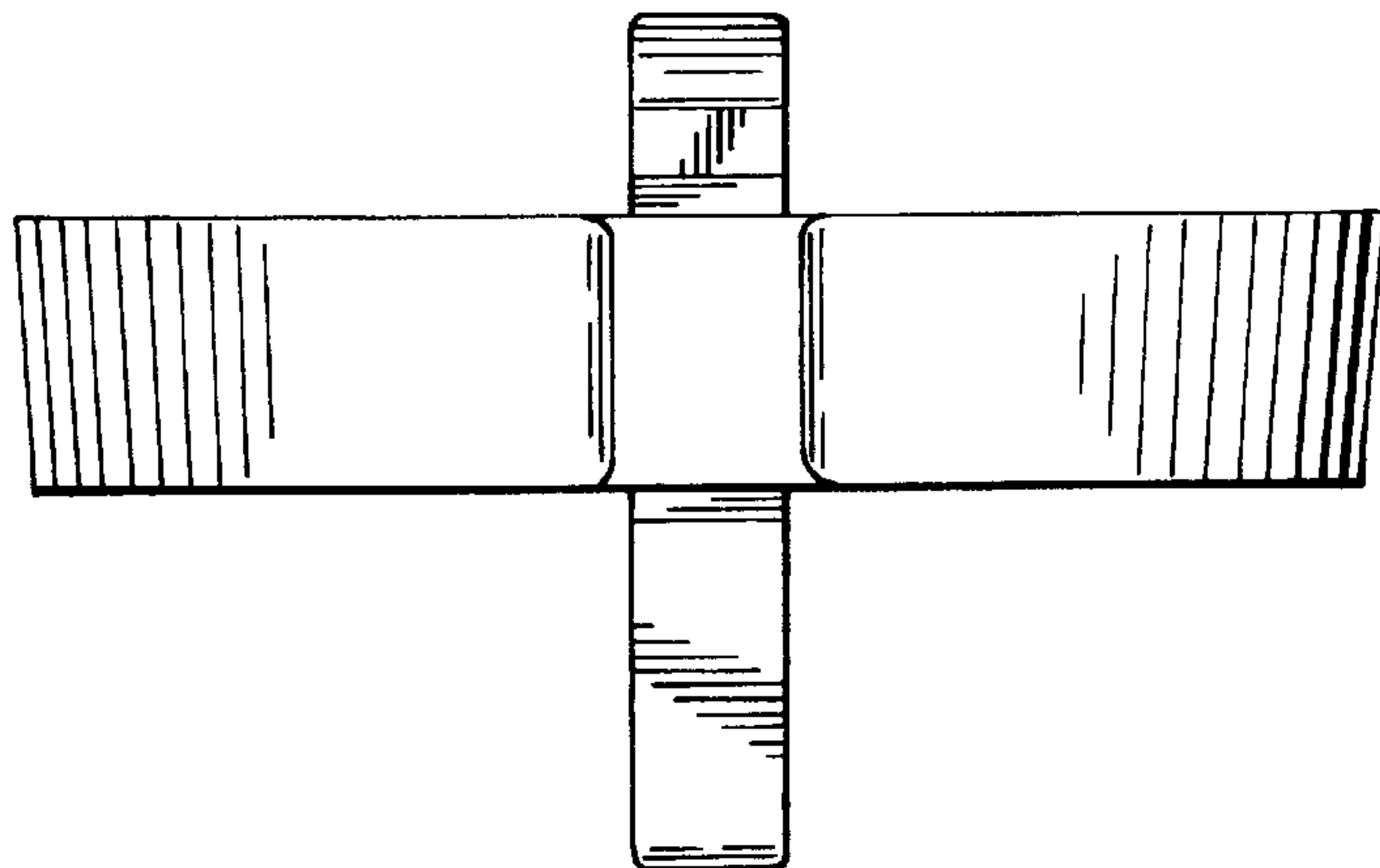


FIG. 9

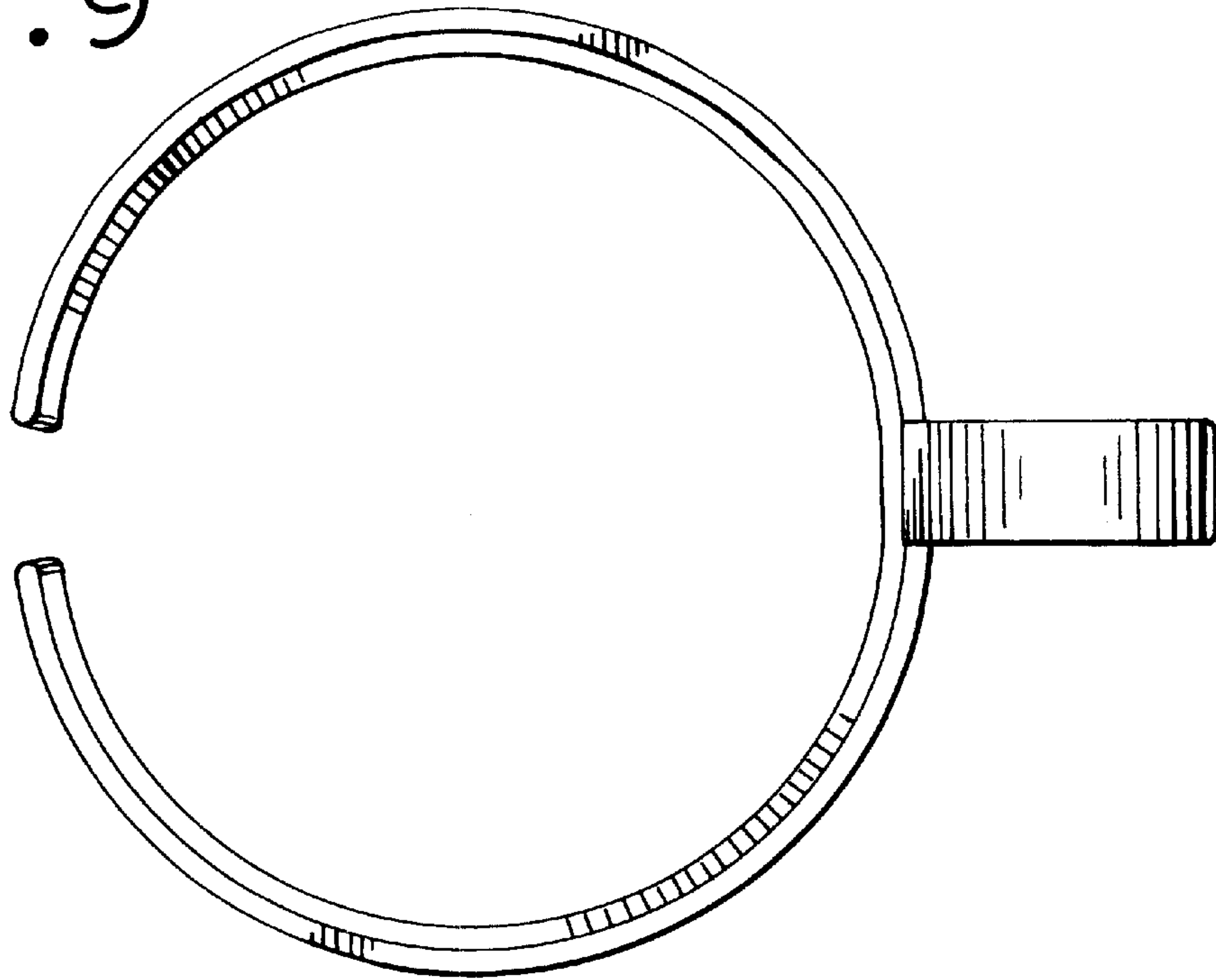


FIG. 10

