



US00D455611S

(12) **United States Design Patent**
Kitamura et al.

(10) **Patent No.:** **US D455,611 S**

(45) **Date of Patent:** **** Apr. 16, 2002**

(54) **VACUUM BOTTLE**

(75) Inventors: **Nobuyuki Kitamura**, Kyoto; **Norifumi Goto**, Aichi-ken, both of (JP)

(73) Assignee: **Nippon Sanso Corporation**, Tokyo (JP)

(**) Term: **14 Years**

(21) Appl. No.: **29/134,709**

(22) Filed: **Dec. 28, 2000**

(30) **Foreign Application Priority Data**

Jul. 5, 2000 (JP) 2000-018324

(51) **LOC (7) Cl.** **07-01**

(52) **U.S. Cl.** **D7/608**

(58) **Field of Search** D7/510, 511, 605, D7/608; D9/500, 503, 504, 538; 215/12.1, 12.2, 13.1; 62/457.1, 457.3, 457.7; 220/592.27

(56) **References Cited**

U.S. PATENT DOCUMENTS

D273,247 S	*	4/1984	Pigott	D7/608 X
D358,530 S	*	5/1995	Mehra et al.	D7/510
D371,304 S	*	7/1996	Onneweer	D9/503
5,799,811 A	*	9/1998	Bruckner et al.	215/13.2

* cited by examiner

Primary Examiner—Terry A. Wallace

(74) *Attorney, Agent, or Firm*—J.C. Patents

(57) **CLAIM**

The ornamental design for a vacuum bottle, as substantially shown and described.

DESCRIPTION

FIG. 1 is a perspective view of a vacuum bottle showing our new design, with the cap in an open position;

FIG. 2 is a top plan view thereof;

FIG. 3 is a front vacuum bottle view thereof;

FIG. 4 is a rear vacuum bottle view thereof;

FIG. 5 is a bottom plan vacuum bottle view thereof;

FIG. 6 is a right end vacuum bottle view thereof;

FIG. 7 is a left end vacuum bottle view thereof;

FIG. 8 is a perspective view thereof with the cap in a closed position.

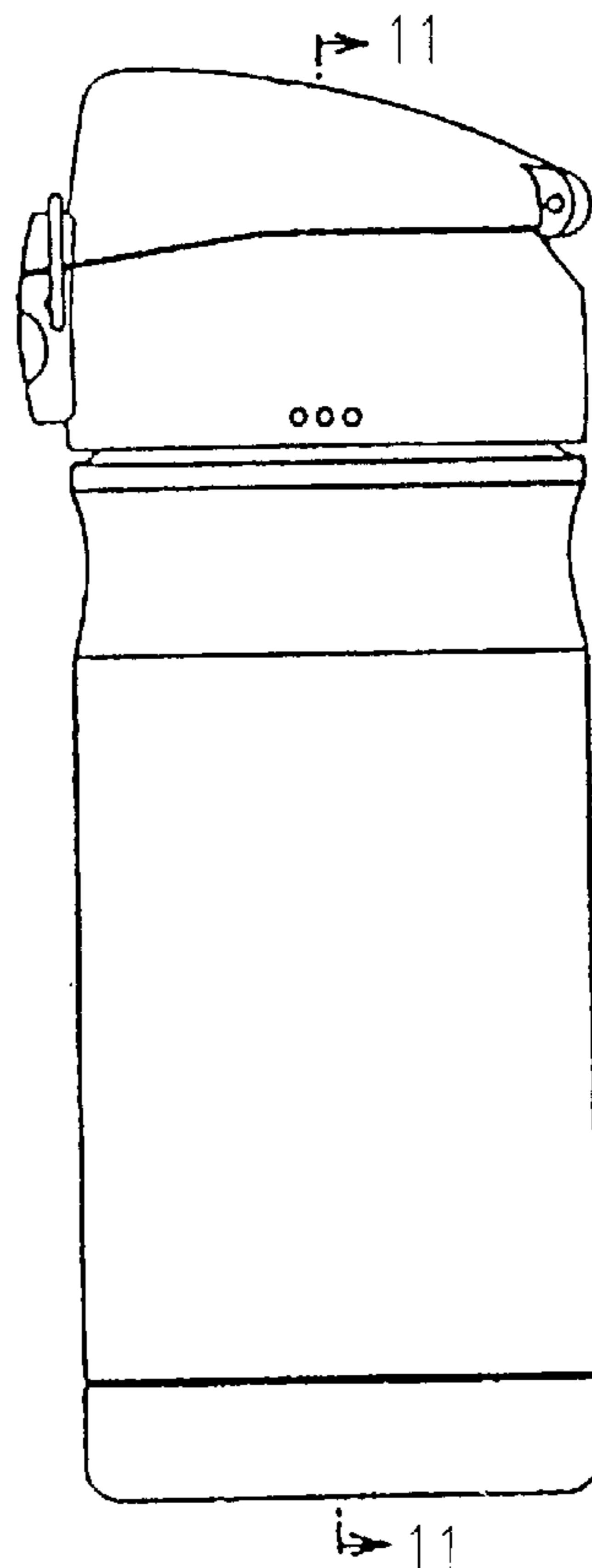
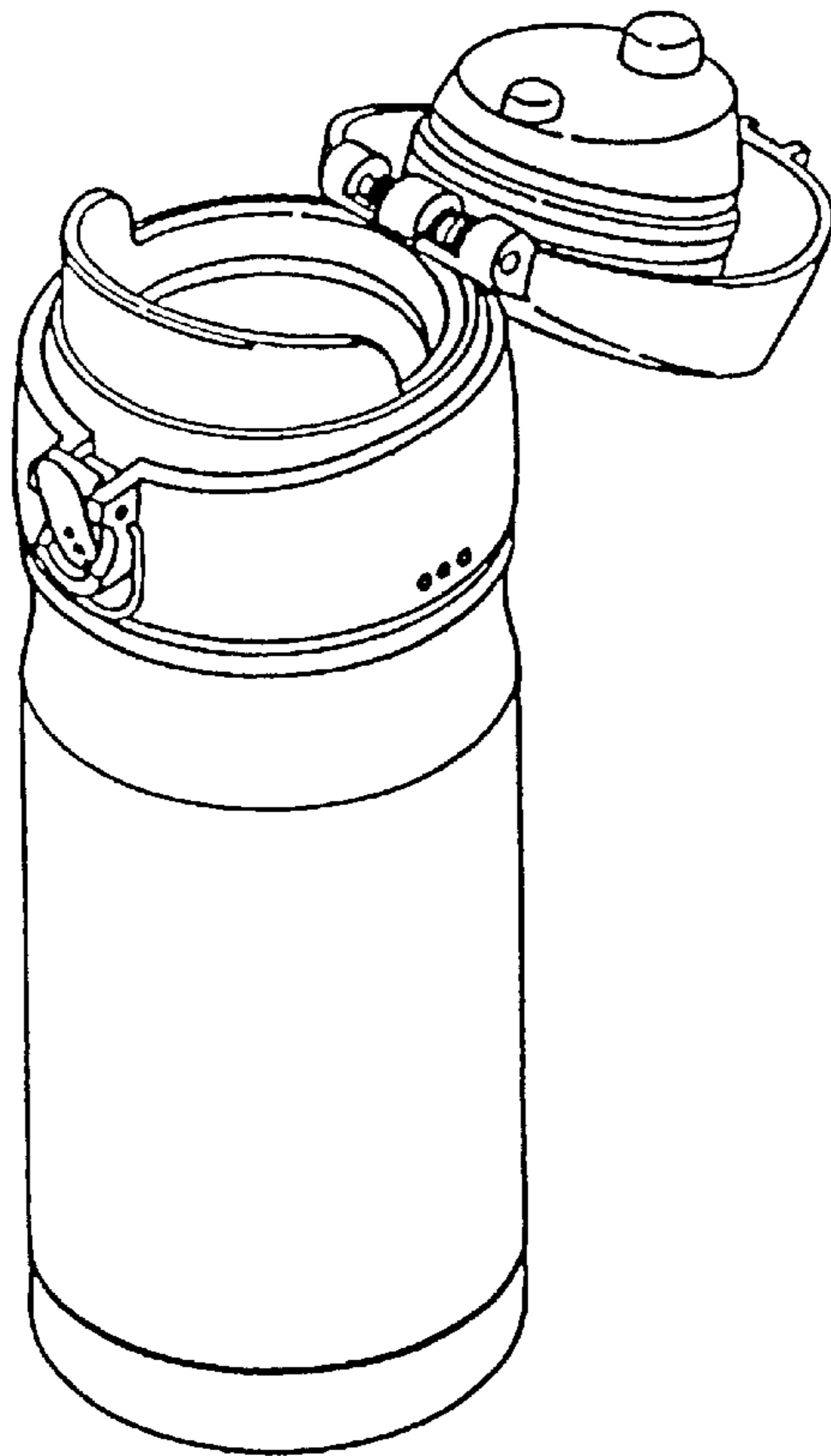
FIG. 9 is a top plan for a vacuum bottle view of which cap is opened.

FIG. 10 is a sectional referential view of the vacuum bottle shown in FIG. 2 take along line 10—10.

FIG. 11 is a sectional referential view of the vacuum bottle shown in FIG. 3 take along line 11—11; and,

FIG. 12 is a sectional referential view of the vacuum bottle shown in FIG. 9 taken along line 12—12.

1 Claim, 7 Drawing Sheets



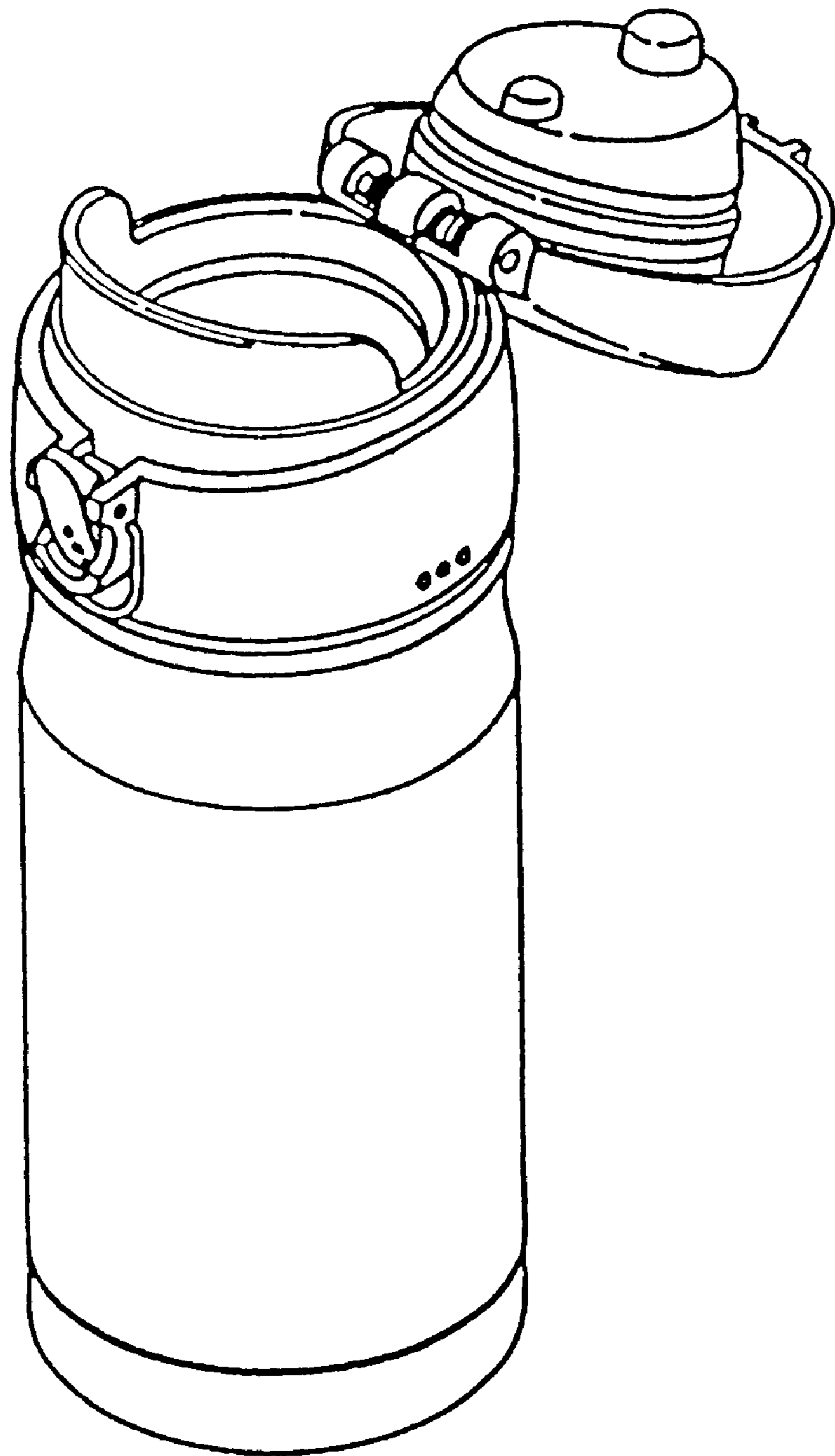


FIG. 1

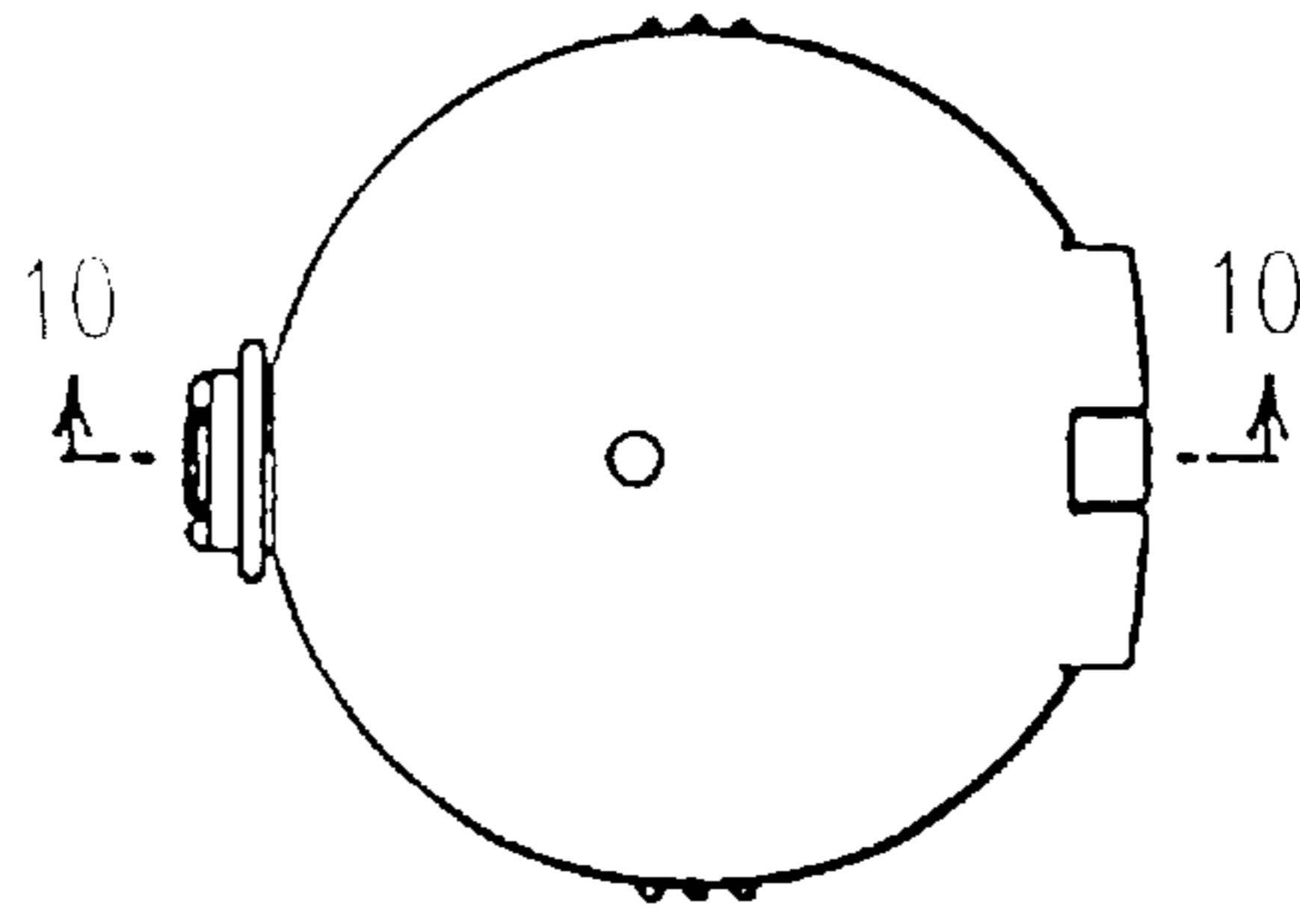


FIG. 2

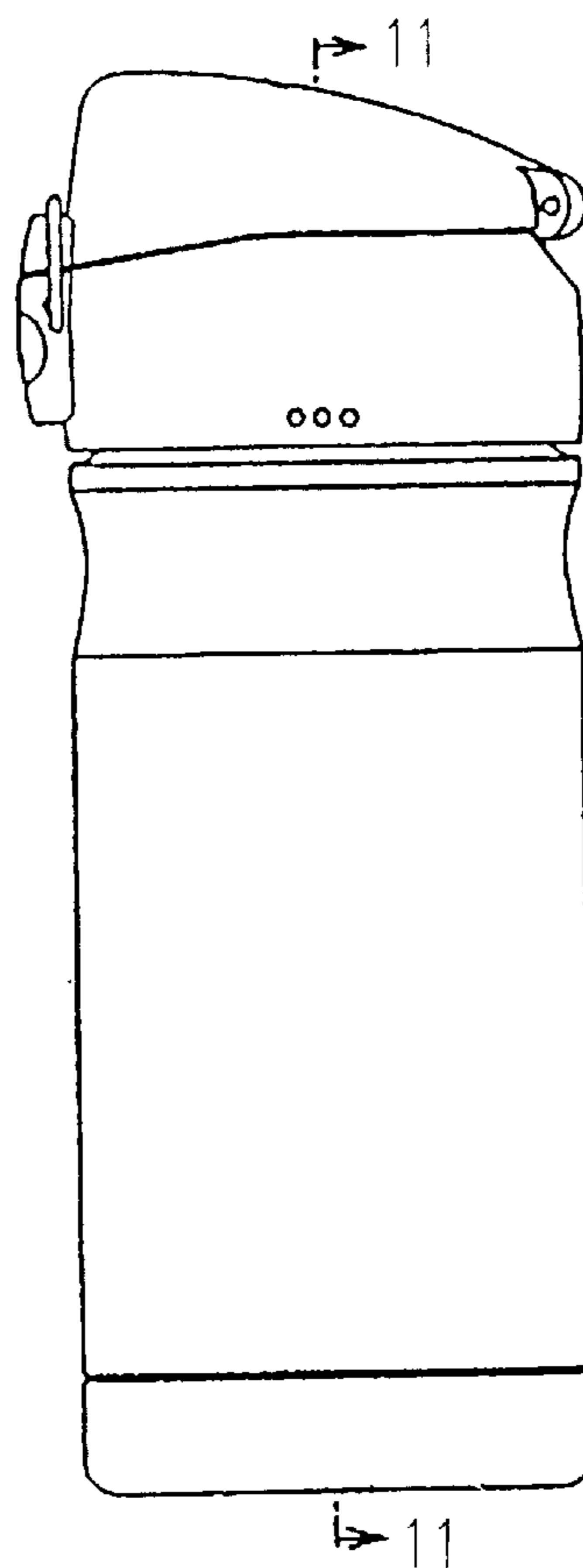


FIG. 3

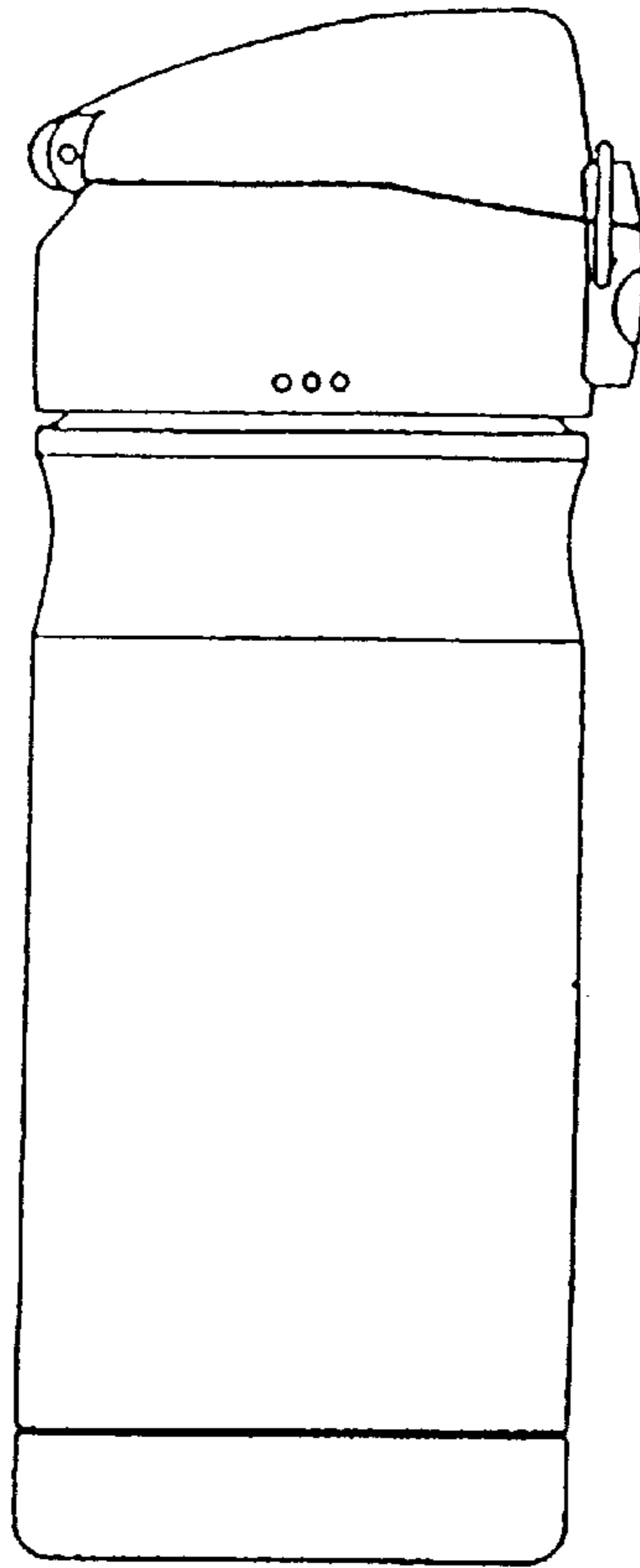


FIG. 4

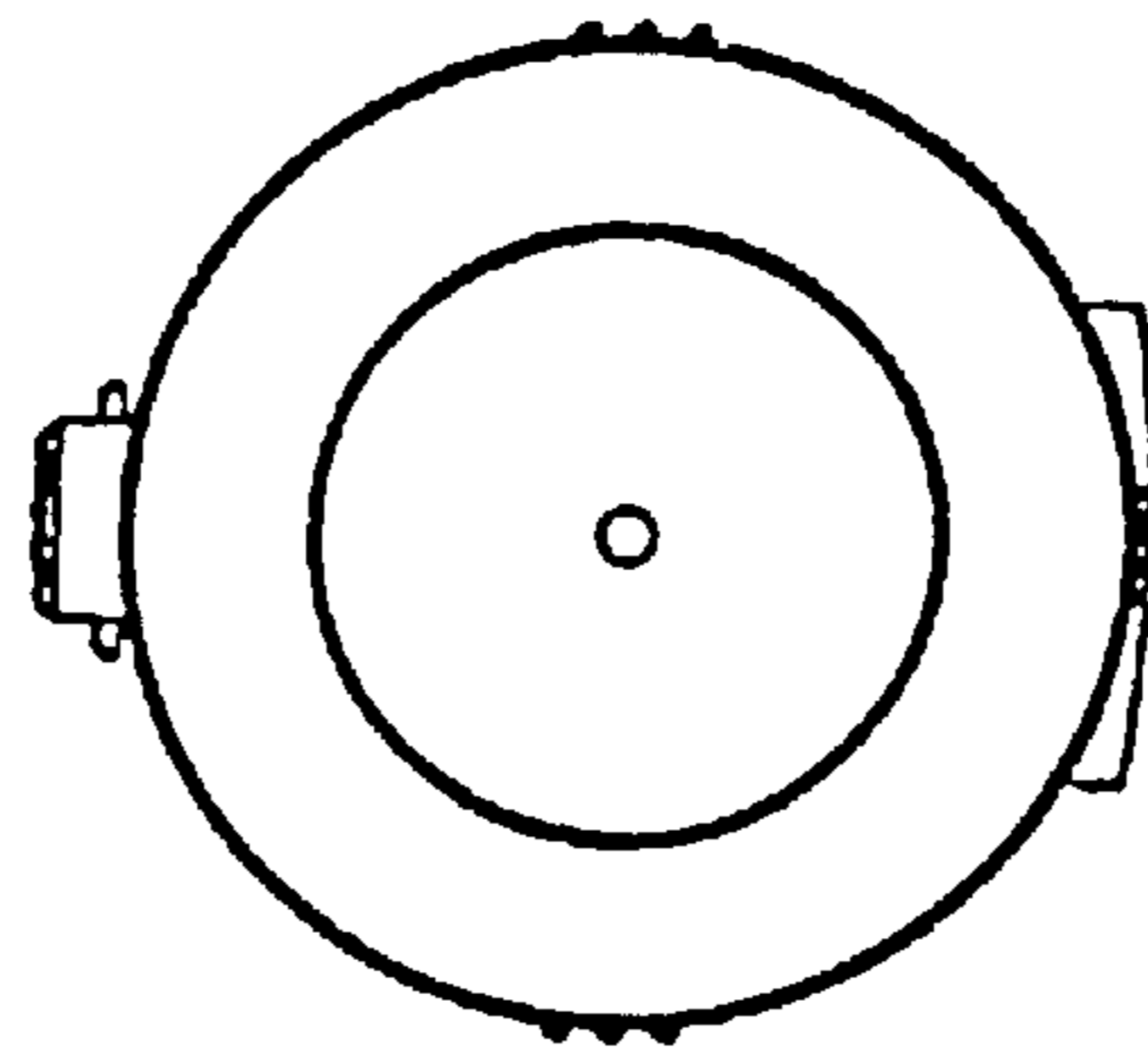


FIG. 5

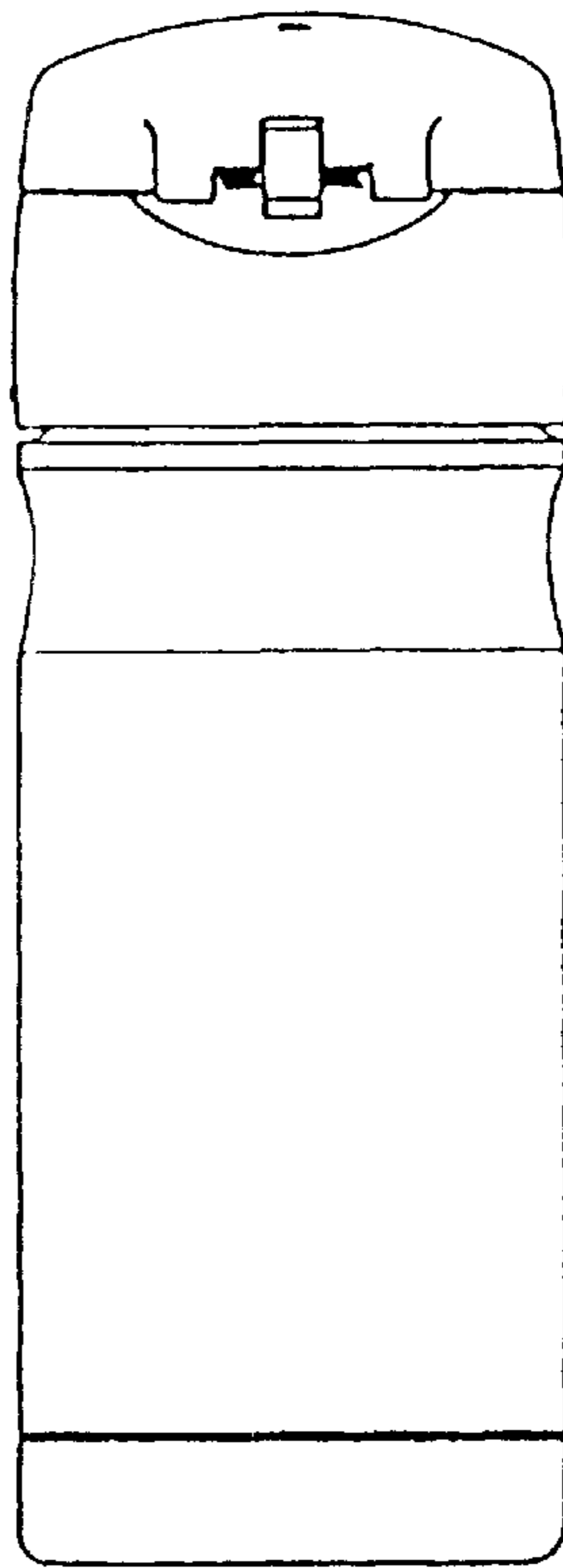


FIG. 6

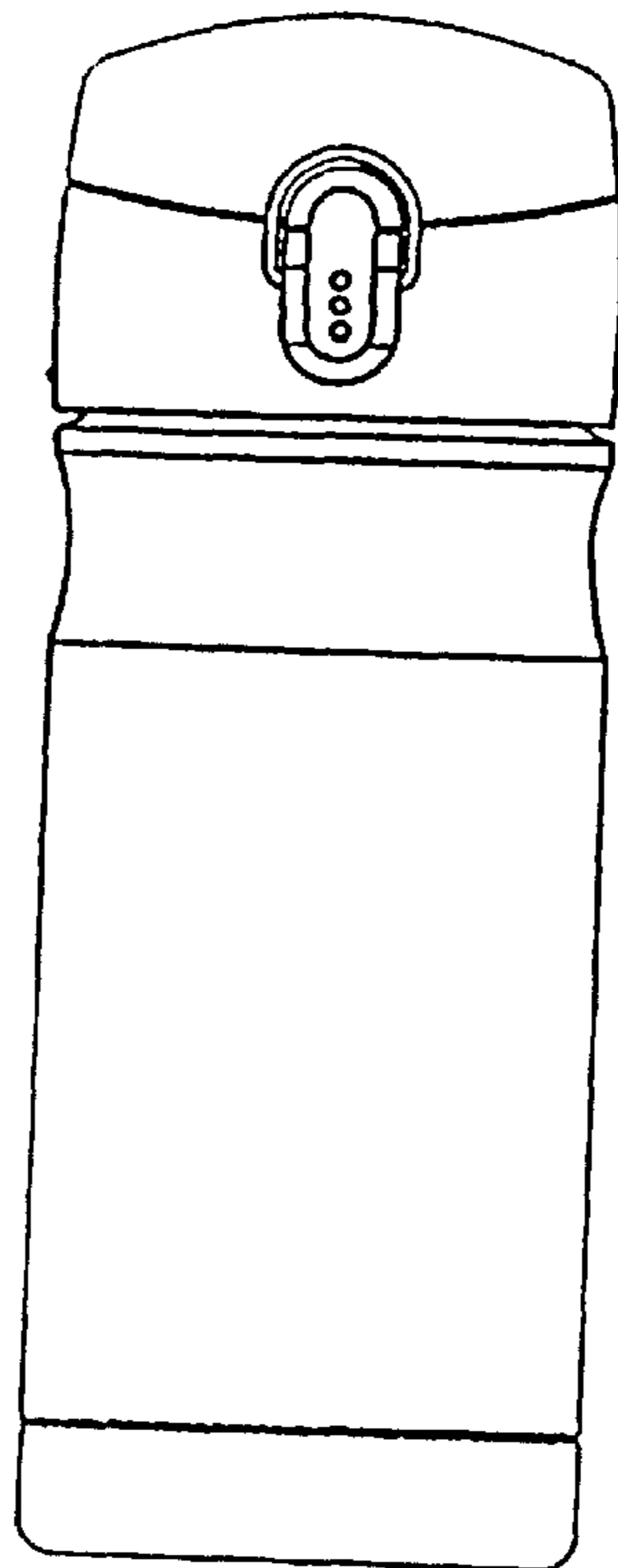


FIG. 7

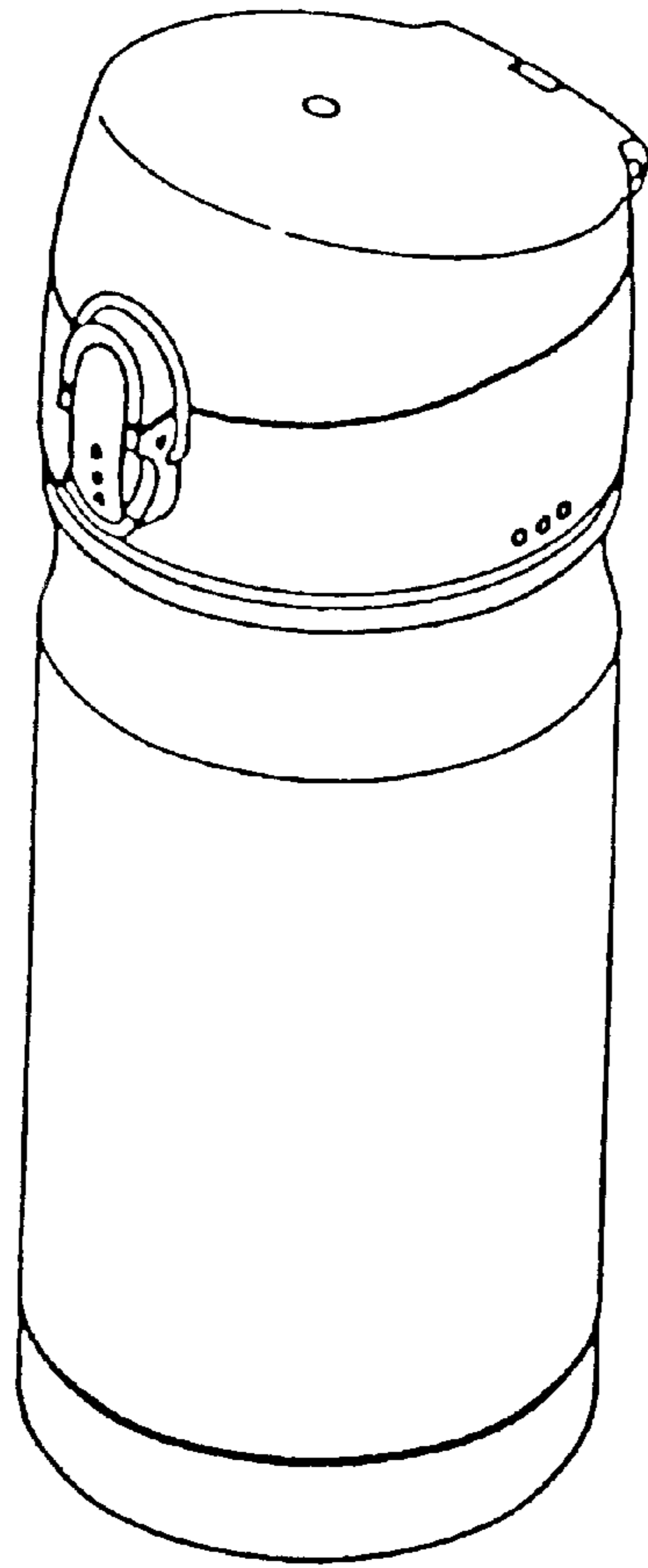


FIG. 8

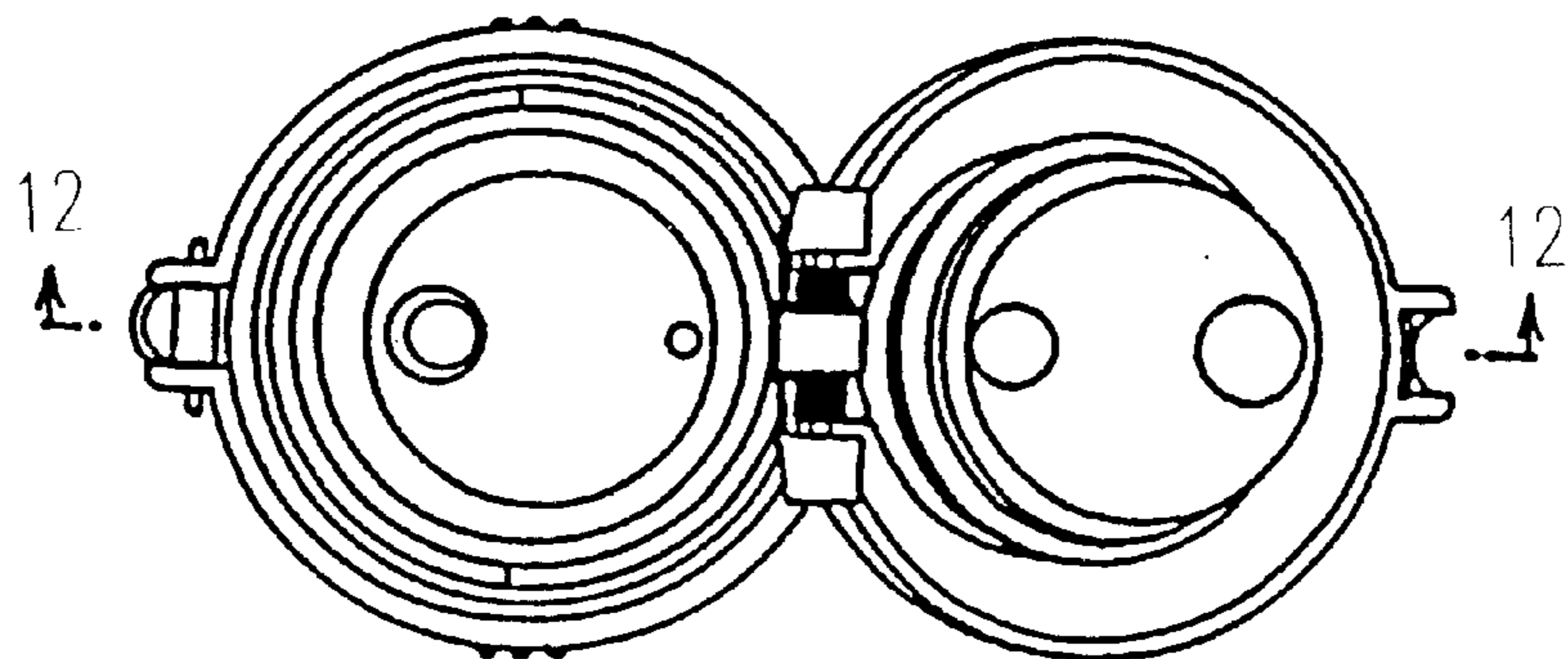


FIG. 9

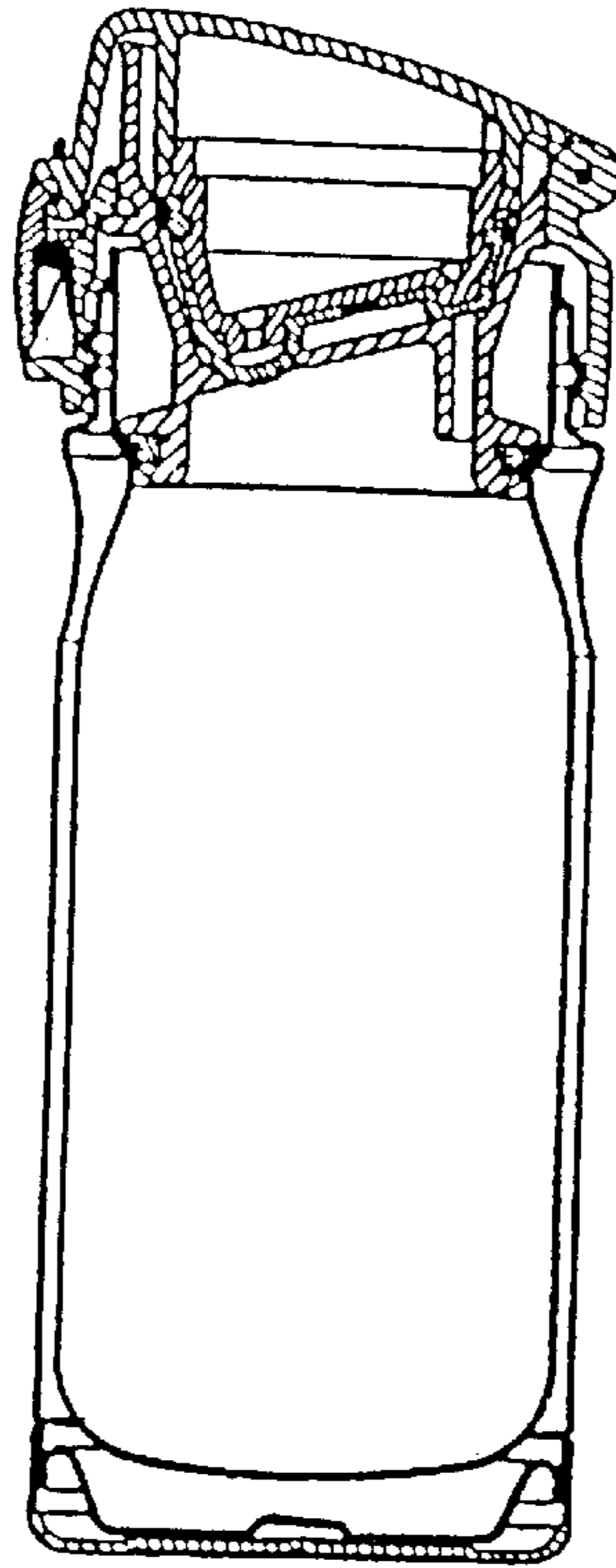


FIG. 10

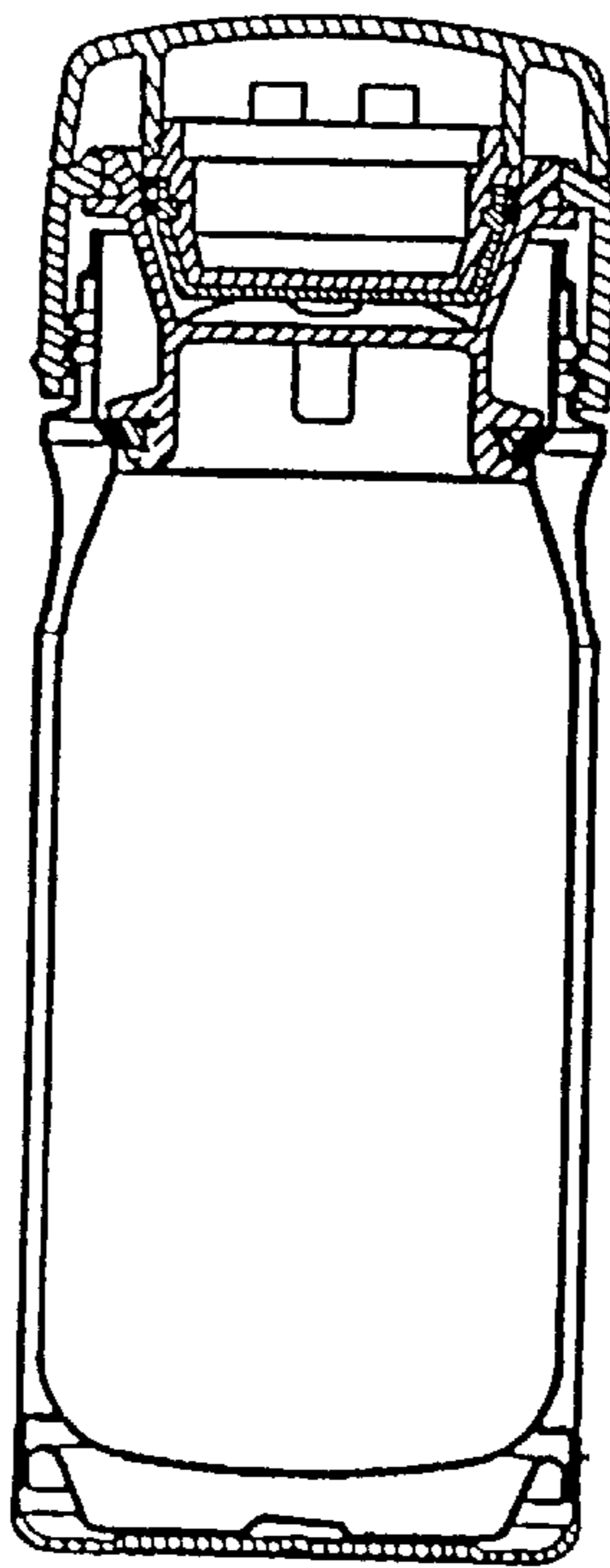


FIG. 11

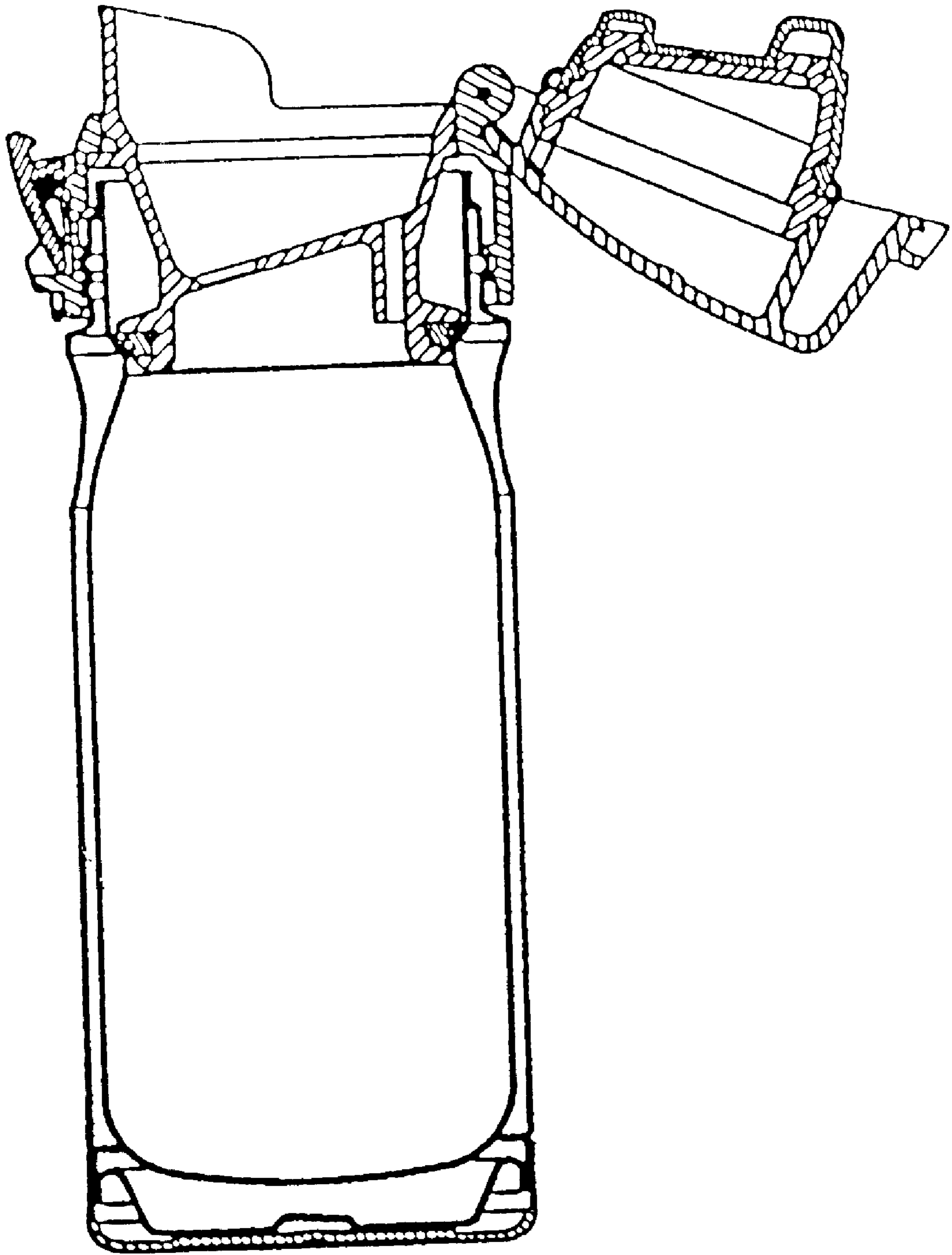


FIG. 12