



US00D455606S

(12) **United States Design Patent**  
**Lee**

(10) **Patent No.:** **US D455,606 S**

(45) **Date of Patent:** **\*\* Apr. 16, 2002**

(54) **HANDLE FOR KITCHEN UTENSILS**

(75) Inventor: **Elizabeth Ka Ying Lee**, New Territories (HK)

(73) Assignee: **Bradshaw Asia Limited**, Hong Kong (HK)

(\*\*) Term: **14 Years**

(21) Appl. No.: **29/142,509**

(22) Filed: **May 24, 2001**

(51) **LOC (7) Cl.** ..... **07-02**

(52) **U.S. Cl.** ..... **D7/395**

(58) **Field of Search** ..... D7/393-395, 401.2, D7/681-697, 354-361; D8/107; 16/110.1, 430, 431

(56) **References Cited**

**U.S. PATENT DOCUMENTS**

4,556,245 A	*	12/1985	Gruenwald	.....	16/110.1
D310,946 S	*	10/1990	White	.....	D7/683
D424,869 S	*	5/2000	Chau	.....	D7/395
D424,870 S	*	5/2000	Thurlow	.....	D7/395

**OTHER PUBLICATIONS**

Chef's Catalog, p. 34, handle on utensils, top of page.\*

\* cited by examiner

*Primary Examiner*—Terry A. Wallace

(74) *Attorney, Agent, or Firm*—Jackson Walker L.L.P.

(57) **CLAIM**

The ornamental design of a handle for kitchen utensils, as shown and described.

**DESCRIPTION**

FIG. 1 is a front perspective view of my design.

FIG. 2 is a front perspective view of my design with a first kitchen utensil shown in broken lines.

FIG. 3 is a front perspective view of my design with a second kitchen utensil shown in broken lines.

FIG. 4 is a front view of my design.

FIG. 5 is a top plan view of my design.

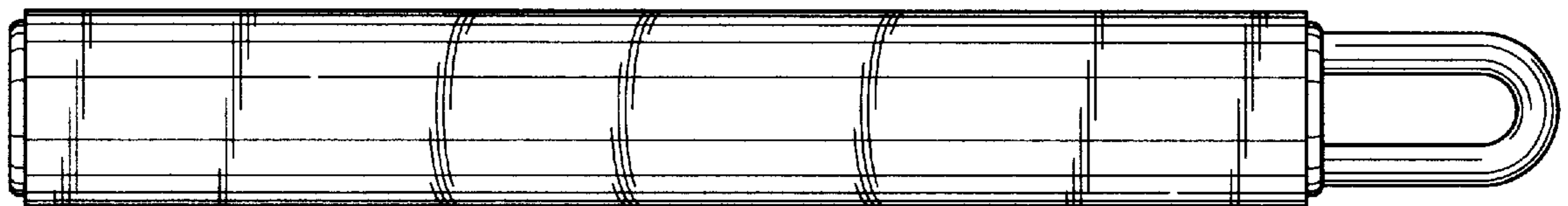
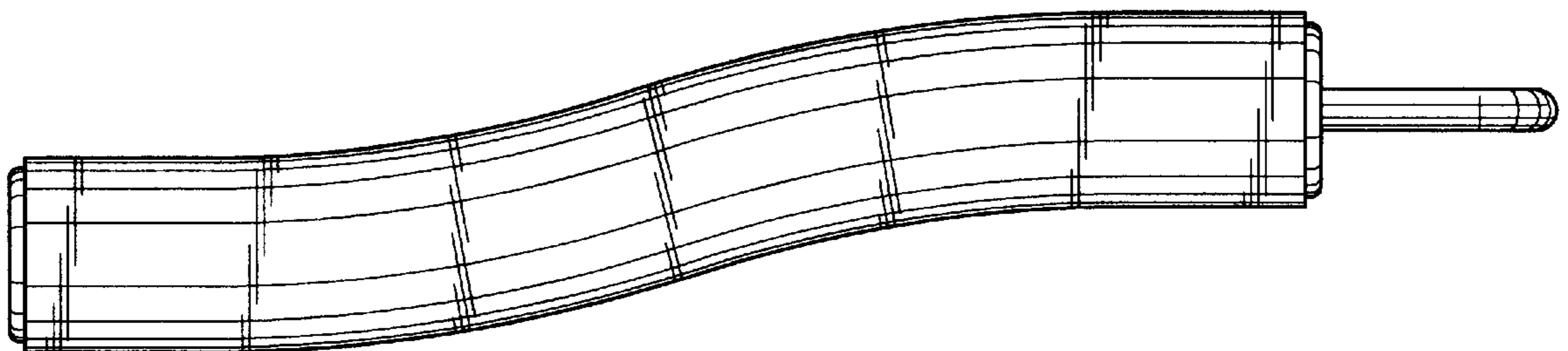
FIG. 6 is a bottom plan view of my design.

FIG. 7 is a rear view of my design.

FIG. 8 is a left side view of my design; and,

FIG. 9 is a right side view of my design.

**1 Claim, 5 Drawing Sheets**



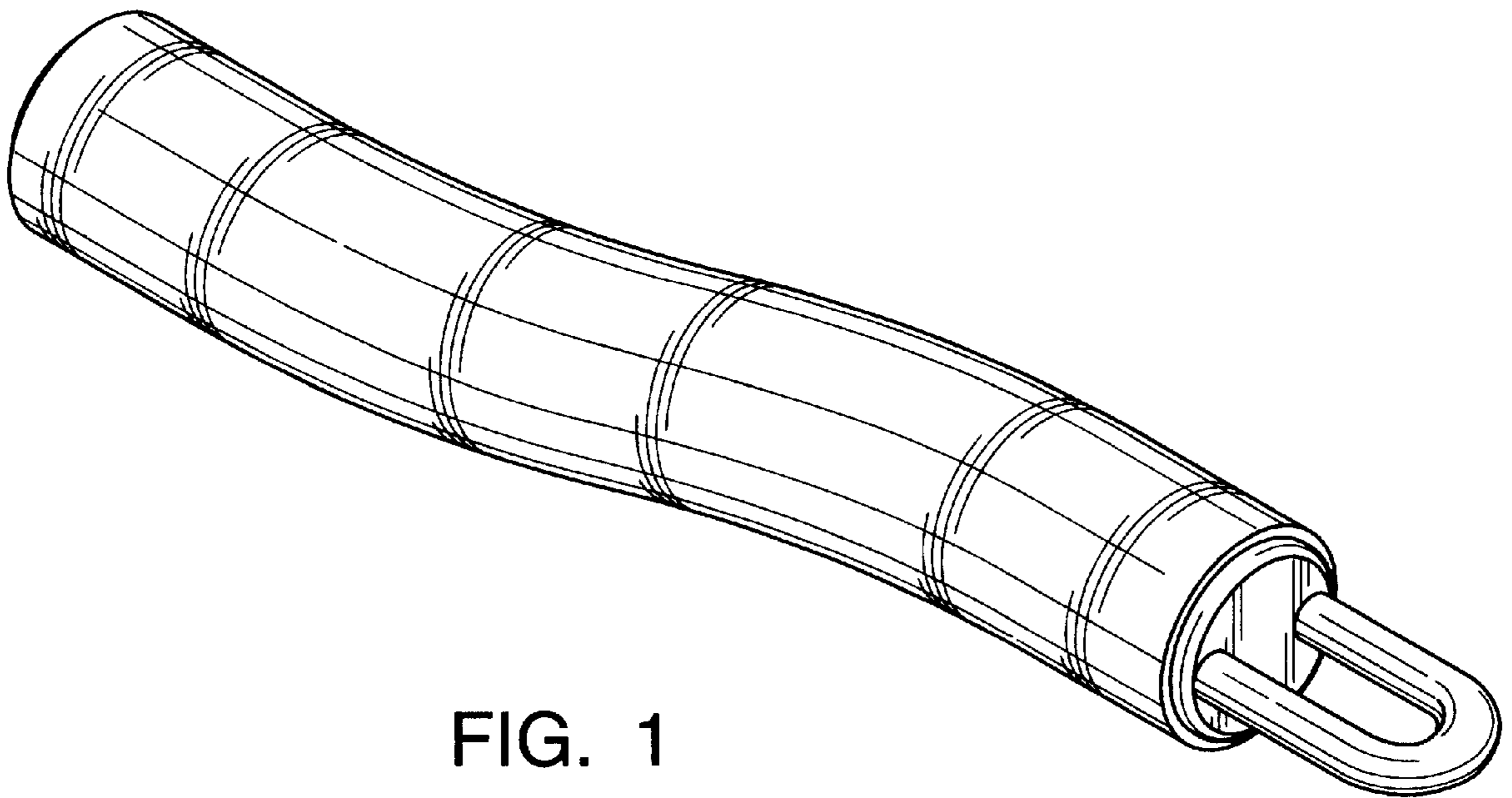


FIG. 1

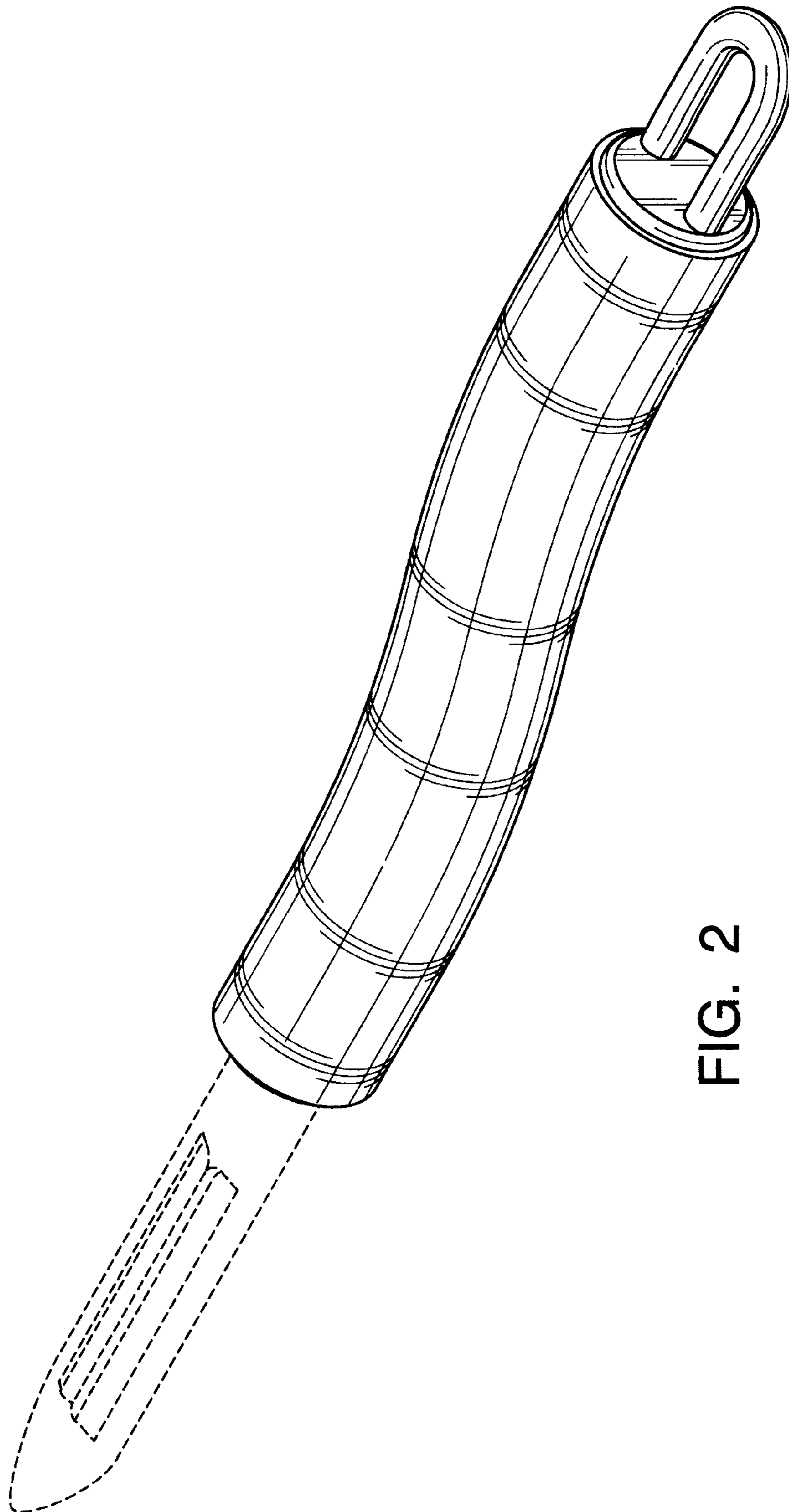


FIG. 2

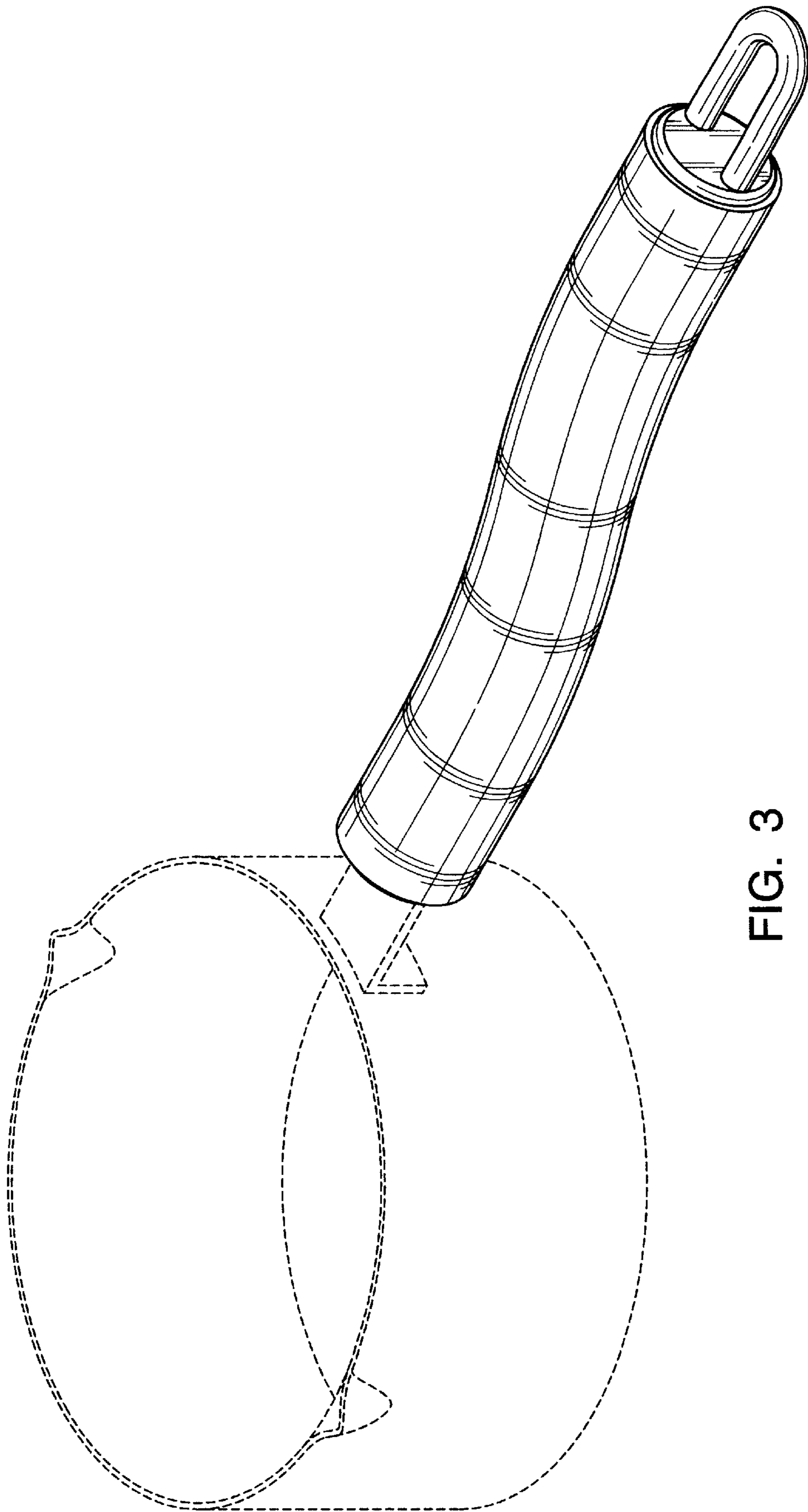


FIG. 3

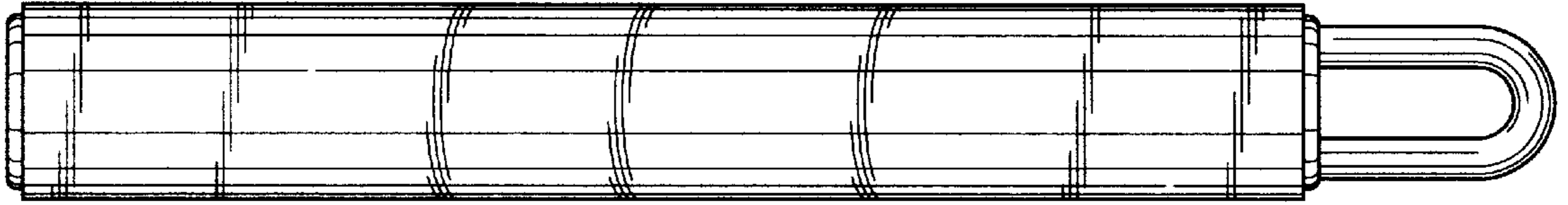


FIG. 5

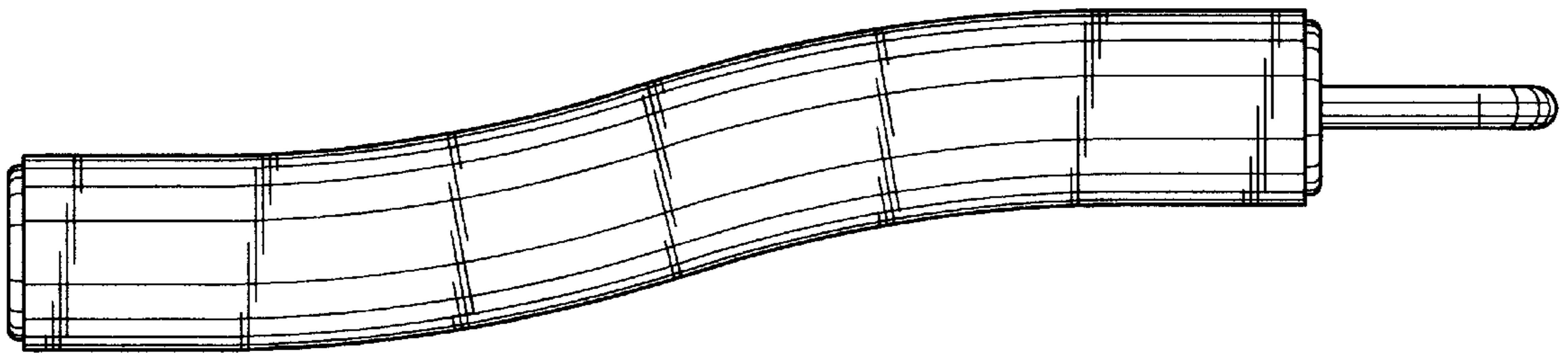


FIG. 4

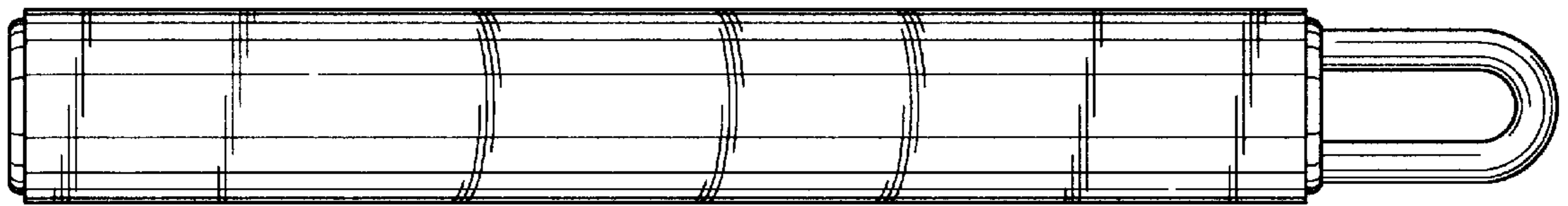


FIG. 6

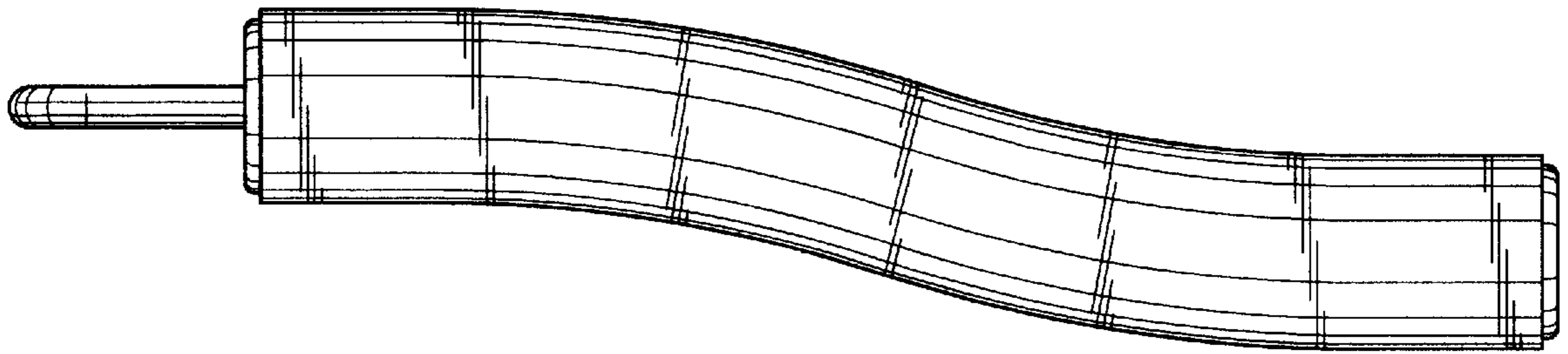


FIG. 7

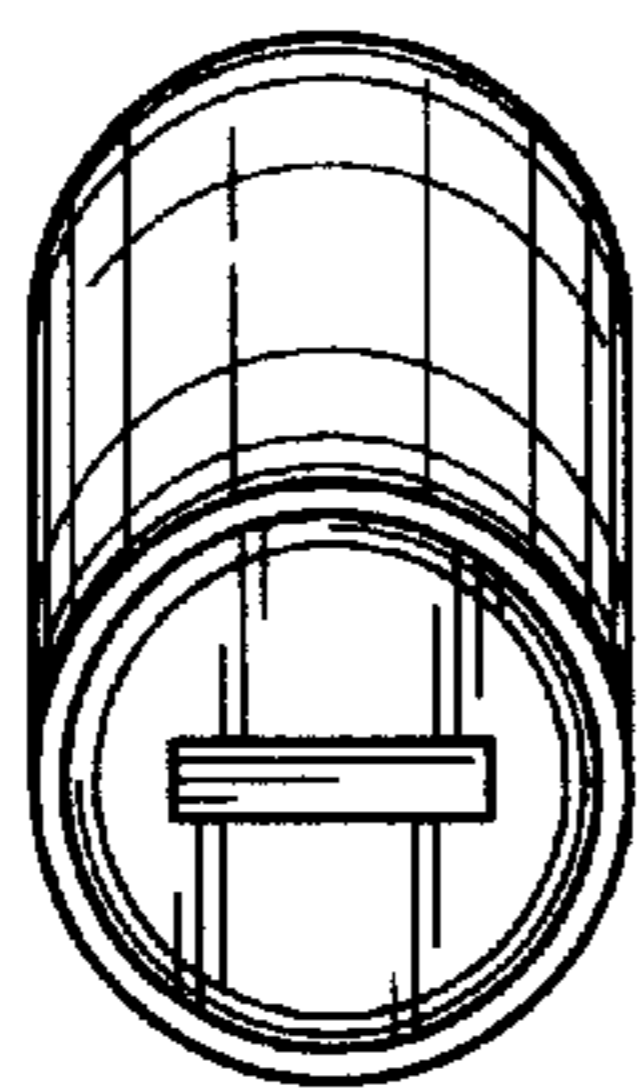


FIG. 8

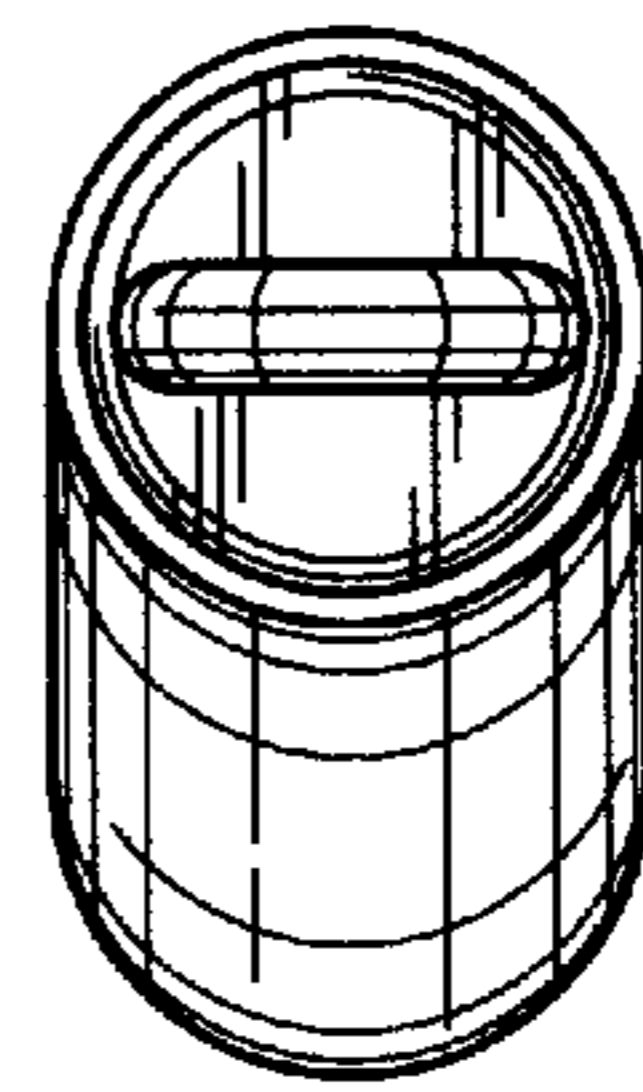


FIG. 9