



US00D455604S

(12) **United States Design Patent**  
**Brandel et al.**

(10) **Patent No.:** **US D455,604 S**

(45) **Date of Patent:** **\*\* Apr. 16, 2002**

(54) **FOOD WASTE DISPOSER**

(75) Inventors: **Robert L. Brandel**, Elm Grove; **Scott W. Anderson**, Racine, both of WI (US); **Jonathan P. Van Dore**, Minneapolis, MN (US)

(73) Assignee: **Emerson Electric Co.**, St. Louis, MO (US)

(\*\*) Term: **14 Years**

(21) Appl. No.: **29/121,627**

(22) Filed: **Apr. 10, 2000**

(51) **LOC (7) Cl.** ..... **31-00**

(52) **U.S. Cl.** ..... **D7/375**

(58) **Field of Search** ..... D7/372, 375; 4/DIG. 4, 4/629; 241/46.013, 46.014, 46.015, 46.016, 46.08; 222/421, 465.1; 215/380, 48

(56) **References Cited**

**U.S. PATENT DOCUMENTS**

1,765,267	A	*	6/1930	Hartman	
2,225,171	A		12/1940	Hammes	83/6
D194,128	S	*	11/1962	Hawkins	D55/1
3,161,360	A	*	12/1964	Levine	241/100.5
3,165,271	A	*	1/1965	Enright	241/300
D207,918	S	*	6/1967	Clark	D55/1
D212,127	S	*	8/1968	Smith	D55/1
3,589,624	A		6/1971	Smith	241/46.08
3,814,333	A	*	6/1974	Sapienza	241/46 B
3,875,462	A		4/1975	Kiefer et al.	317/13 R
5,340,036	A		8/1994	Riley	241/56

5,795,062	A	*	8/1998	Johnson	366/136
5,856,173	A		1/1999	Riley et al.	435/264
6,007,006	A		12/1999	Engel et al.	241/46.014
D431,752	S	*	10/2000	Brandel et al.	D7/375

**OTHER PUBLICATIONS**

Brochure, IN-SINK-ERATOR, *Nothing Works Like a Pro™*, 1998.

Brochure, IN-SINK-ERATOR, *Introducing an All New In-Sink-Erator® Lineup*, 1999.

Brochure, IN-SINK-ERATOR, *Food Waste Disposers by In-Sink-Erator®*, 1995.

\* cited by examiner

*Primary Examiner*—Ted Shooman

*Assistant Examiner*—Daniel Bui

(74) *Attorney, Agent, or Firm*—Howrey Simon Arnold & White, LLP

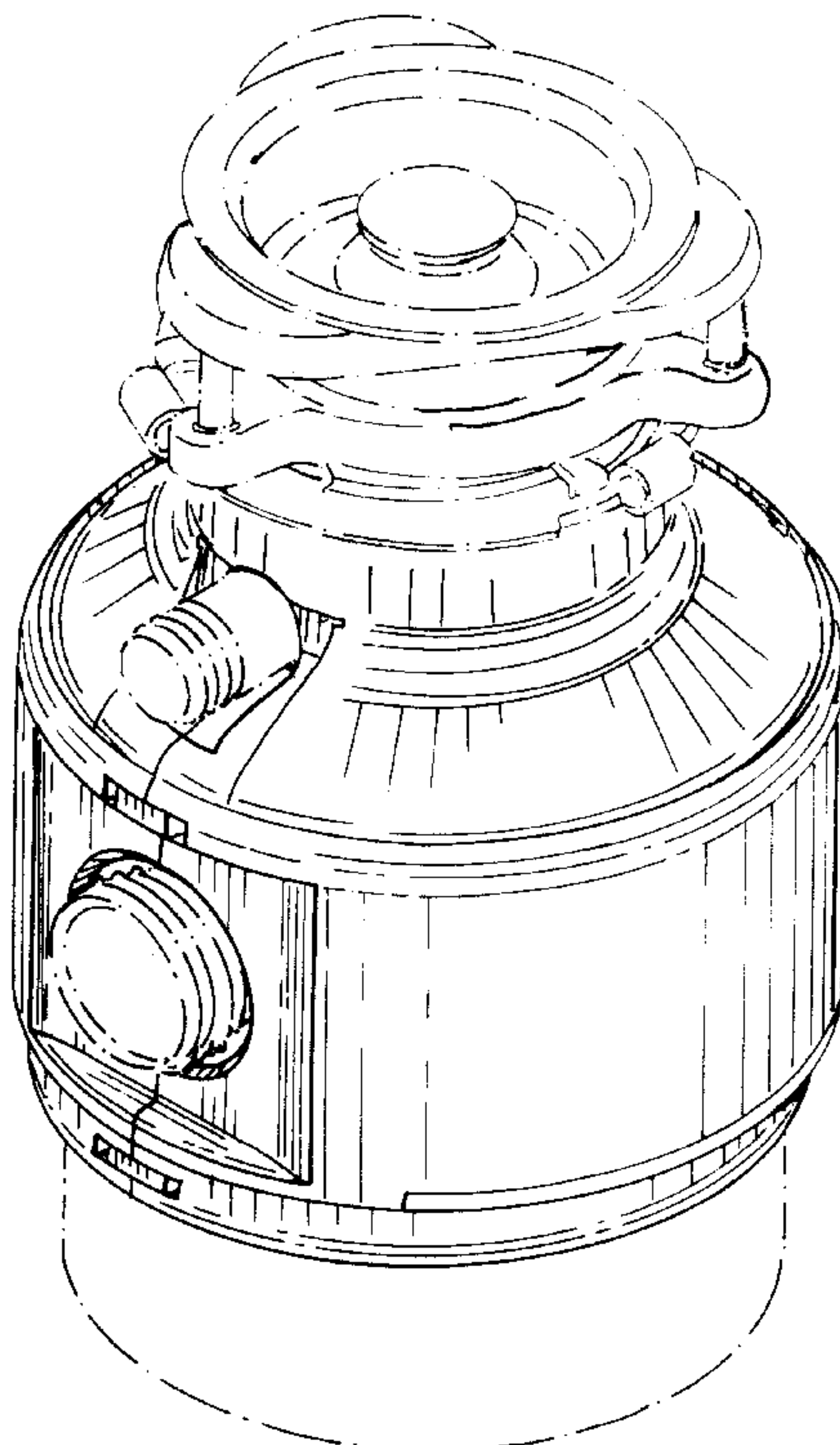
(57) **CLAIM**

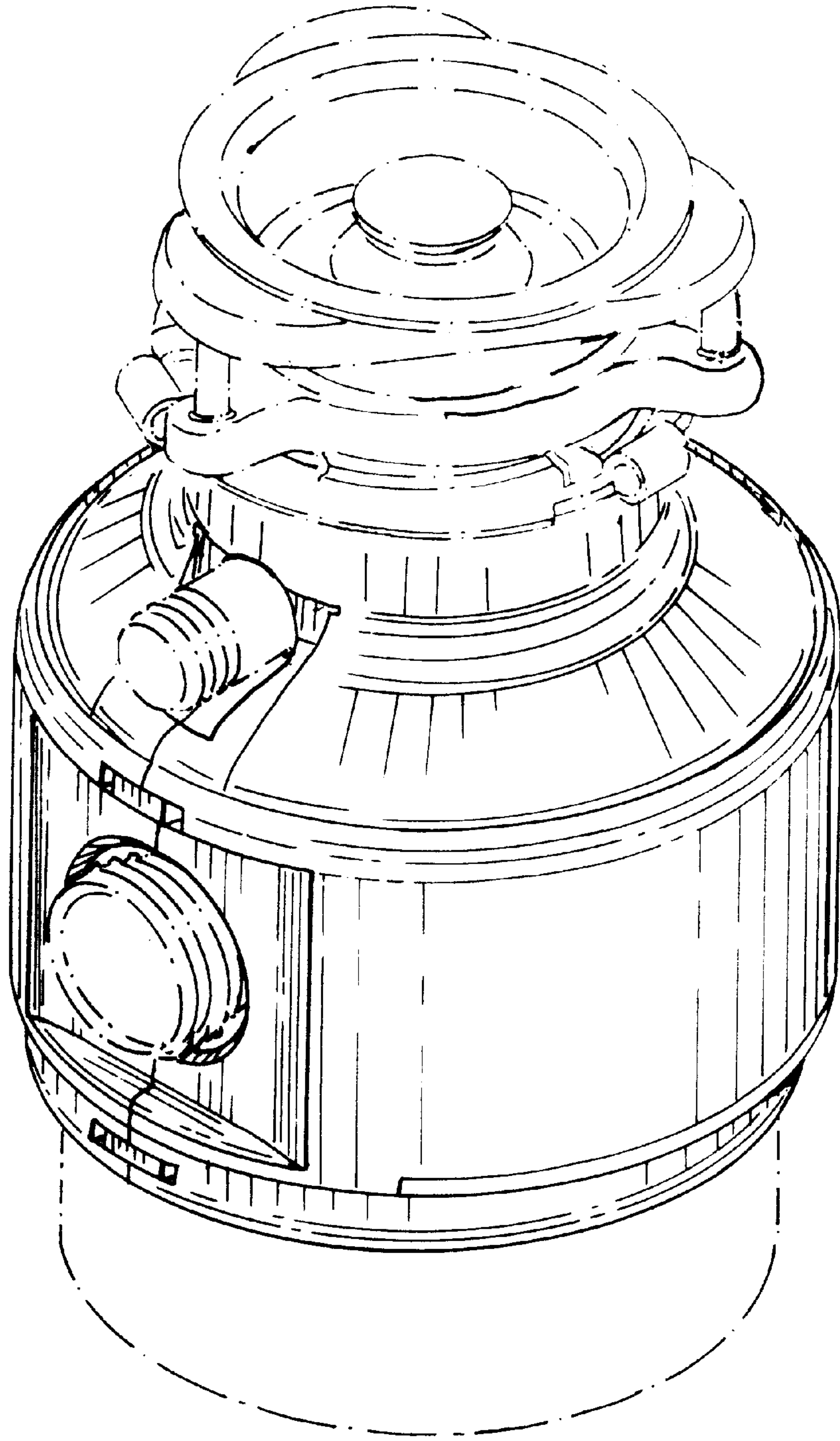
The ornamental design for a “food waste disposer”, as shown as described.

**DESCRIPTION**

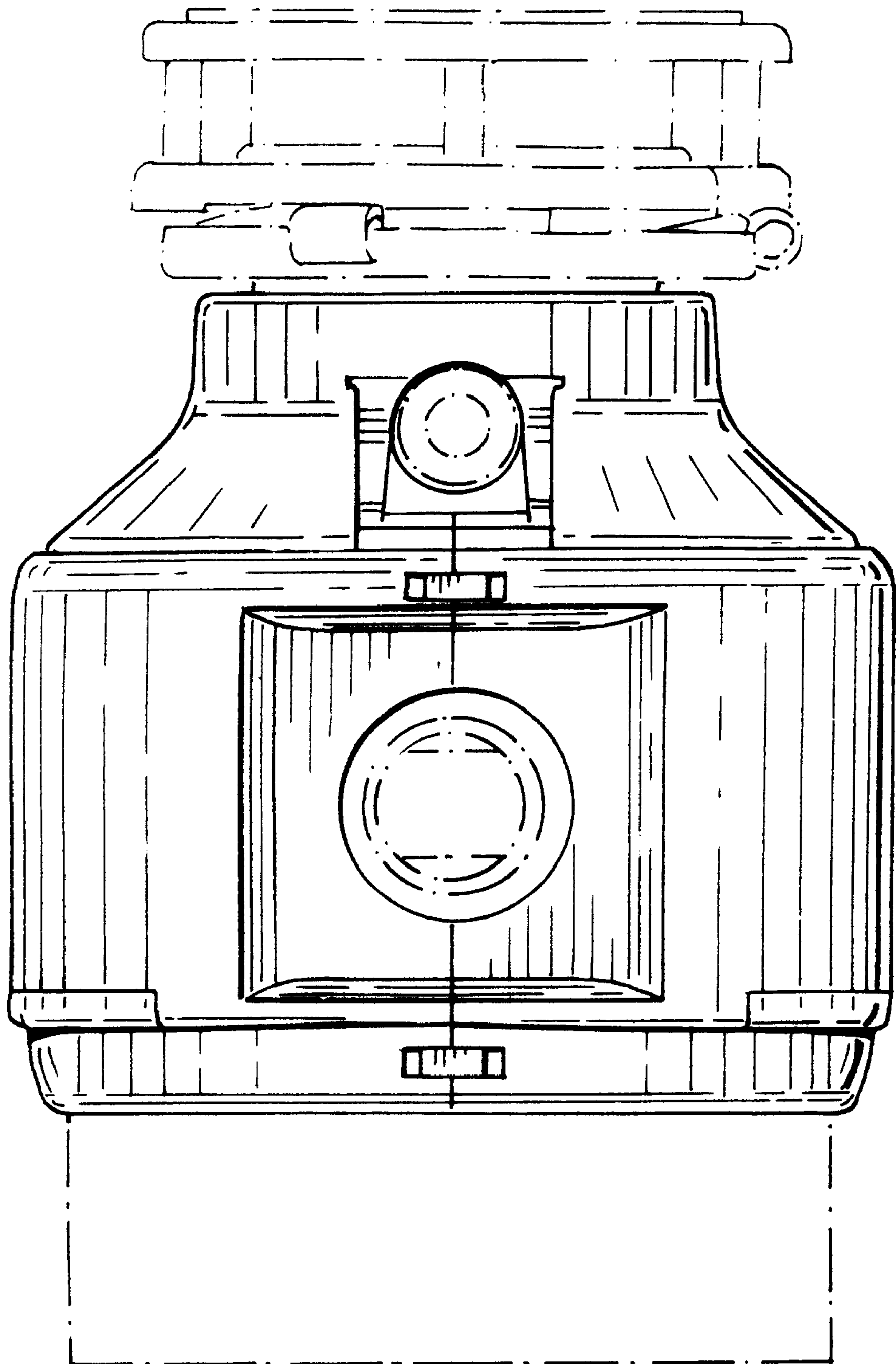
FIG. 1 is a perspective view of the food waste disposer. FIG. 2 is a rear elevation view of the food waste disposer. FIG. 3 is a side elevation view of the food waste disposer. FIG. 4 is a front elevation view of the food waste disposer. FIG. 5 is a top plan view of the food waste disposer; and, FIG. 6 is a bottom plan view of the food waste disposer. The broken lines are for illustrative purposes only and form no part of the claimed design.

**1 Claim, 5 Drawing Sheets**

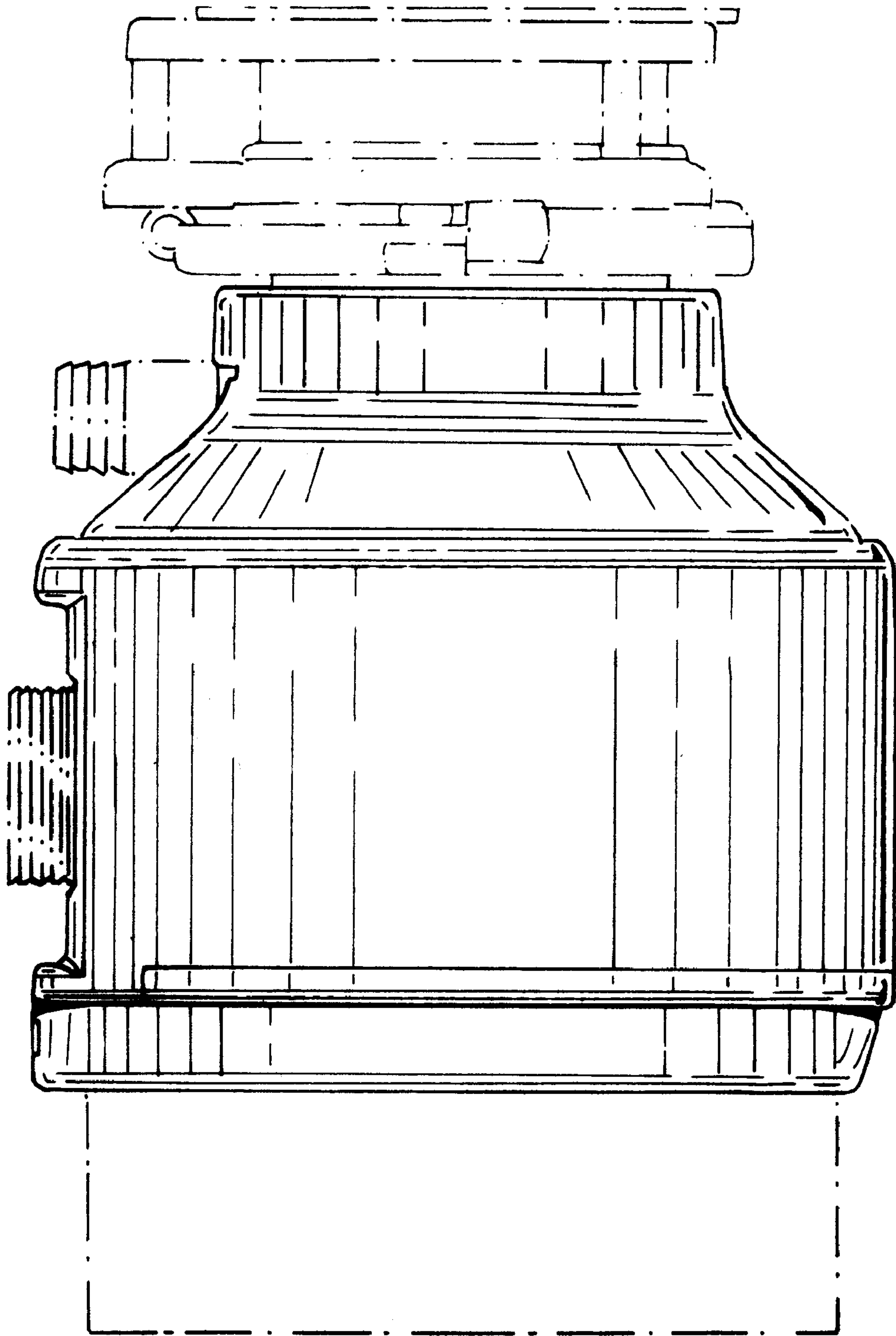




**FIG. 1**

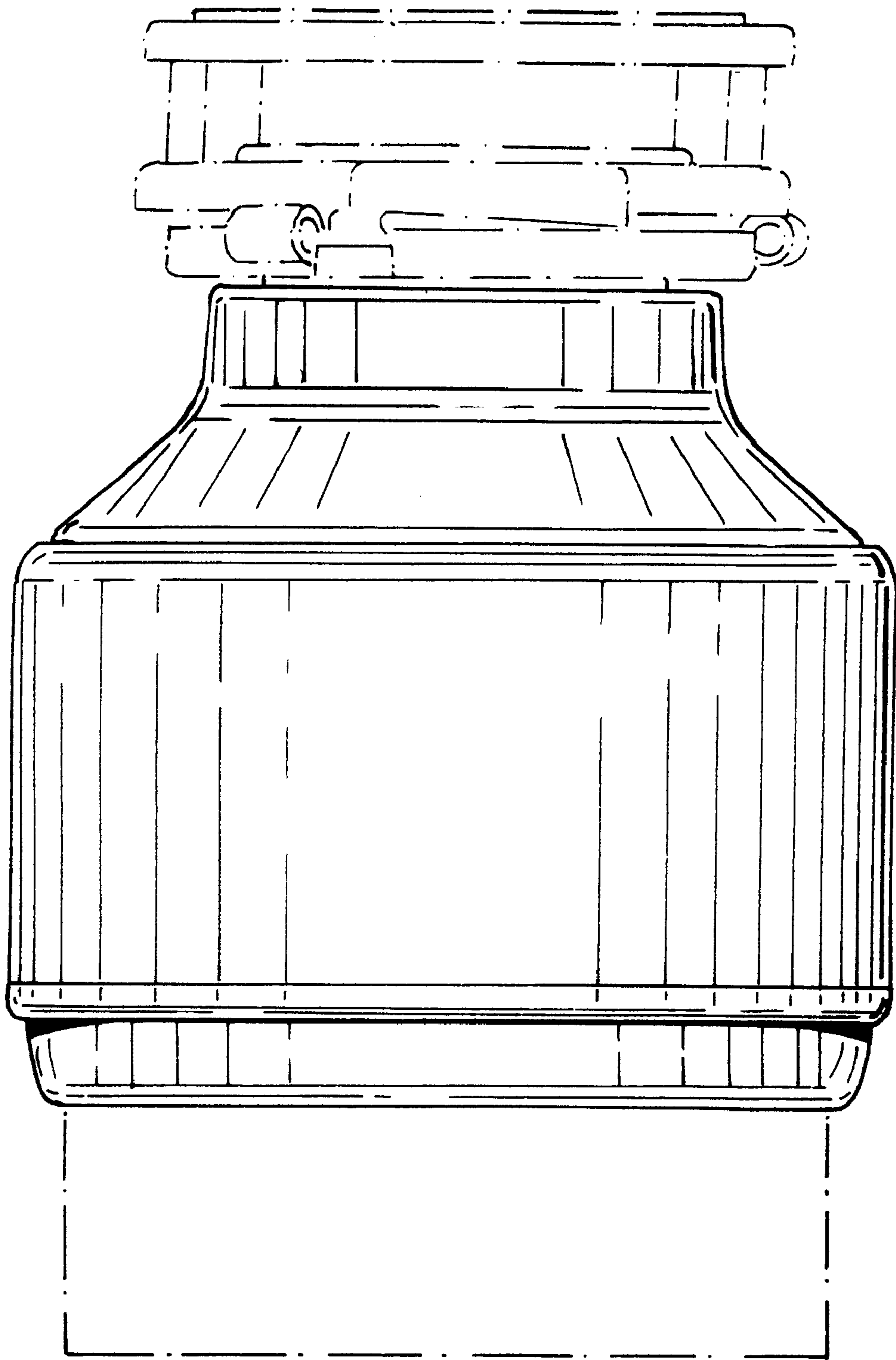


**FIG. 2**

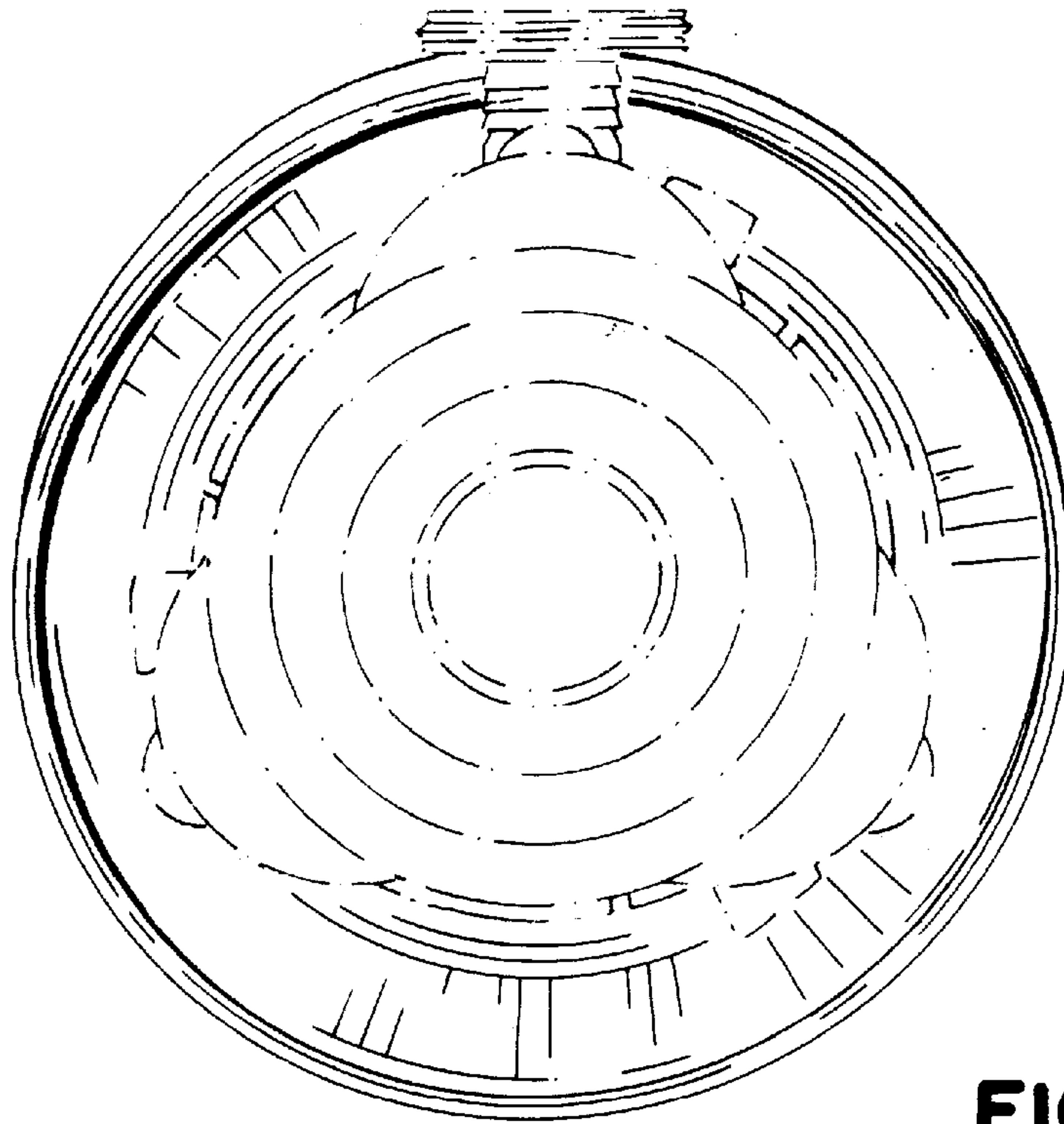


**FIG. 3**

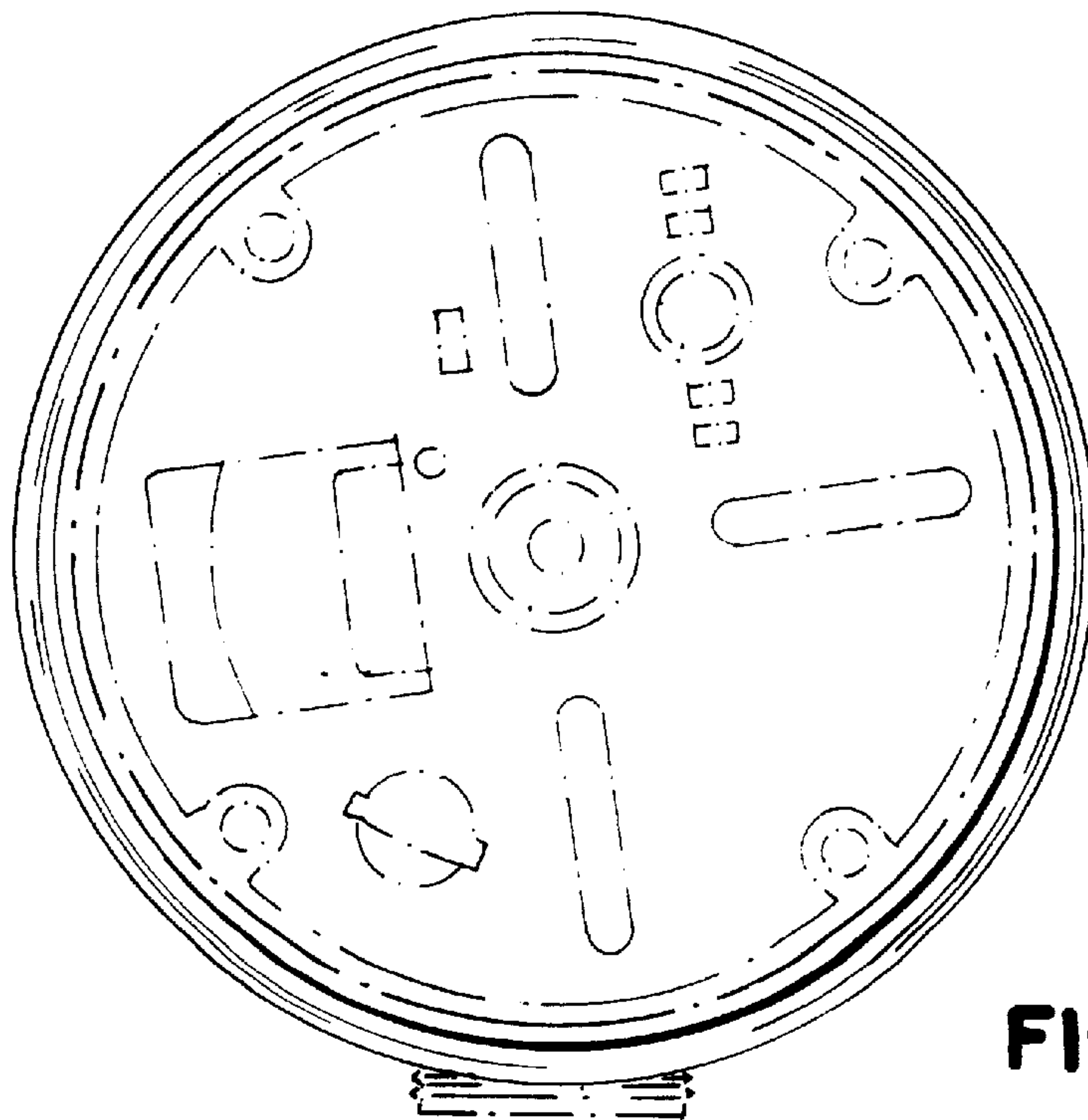




**FIG. 4**



**FIG. 5**



**FIG. 6**