



US00D455602S

(12) **United States Design Patent**
Wright

(10) **Patent No.:** **US D455,602 S**

(45) **Date of Patent:** **** Apr. 16, 2002**

(54) **PORTABLE ELECTRIC STOVE**

(75) **Inventor:** **Mark E. Wright**, Gardnerville, NV
(US)

(73) **Assignee:** **Athena International, Inc.**,
Gardnerville, NV (US)

(**) **Term:** **14 Years**

(21) **Appl. No.:** **29/141,809**

(22) **Filed:** **May 14, 2001**

(51) **LOC (7) Cl.** **07-02**

(52) **U.S. Cl.** **D7/362**

(58) **Field of Search** D7/350.1, 350.2,
D7/350.3, 350.4, 351, 402, 405-406, 332,
337, 354, 361-362, 365-367, 602; D3/276;
126/273 A, 275 R, 275 E, 19 M, 21 R;
219/678, 756-758, 387, 402; 99/DIG. 14,
421 R, 340-341, 350, 421 H, 448; 40/700,
768, 765; 294/142

(56) **References Cited**

U.S. PATENT DOCUMENTS

4,816,646	A	*	3/1989	Solomon et al.	219/387
5,274,215	A	*	12/1993	Jackson	219/439
D352,866	S	*	11/1994	Kindley et al.	D7/351
5,369,255	A	*	11/1994	Sherer et al.	219/725
D418,296	S	*	1/2000	Kobayashi	D3/291
D425,359	S	*	5/2000	Seiz	D7/351

6,078,026	A	*	6/2000	West	219/212
6,144,016	A	*	11/2000	Garvin	219/387
D443,171	S	*	6/2001	Chen	D7/350
6,248,981	B1	*	6/2001	Check	219/387

* cited by examiner

Primary Examiner—Ruth McInroy

(74) *Attorney, Agent, or Firm*—Mark C. Jacobs

(57) **CLAIM**

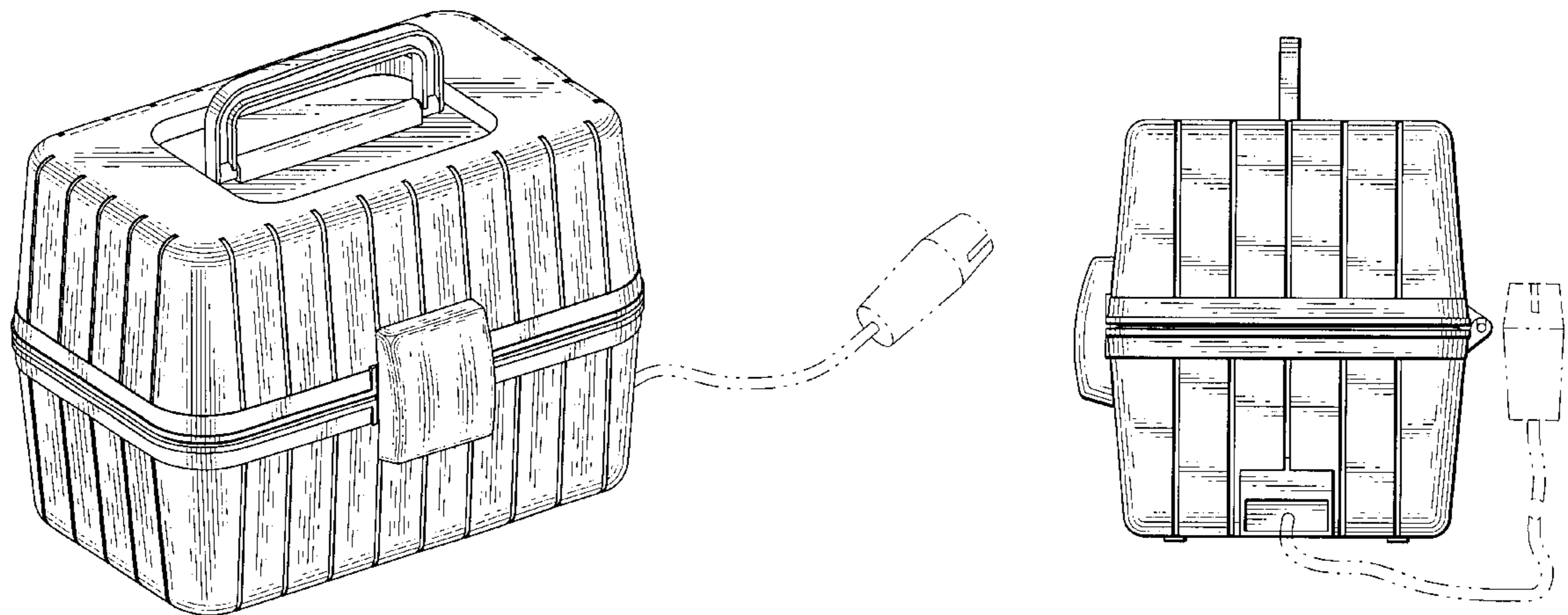
The ornamental design for a portable electric stove, as shown and described.

DESCRIPTION

FIG. 1 is a perspective view of a portable electric stove with the handle in an up position showing my new design; FIG. 2 is a front elevational view thereof; FIG. 3 is a top plan view thereof; FIG. 4 is a rear elevational view thereof; FIG. 5 is a left side elevational view thereof; FIG. 6 is a right side elevational view thereof; FIG. 7 is a bottom plan view thereof; FIG. 8 is a perspective view thereof, with the handle in a down position; and, FIG. 9 is a perspective view thereof, with the stove in an open position.

The electric cord shown in FIGS. 1, 2 and 6 and the pan in FIG. 9 are shown for illustrative purposes only and form no part of the claimed design.

1 Claim, 3 Drawing Sheets



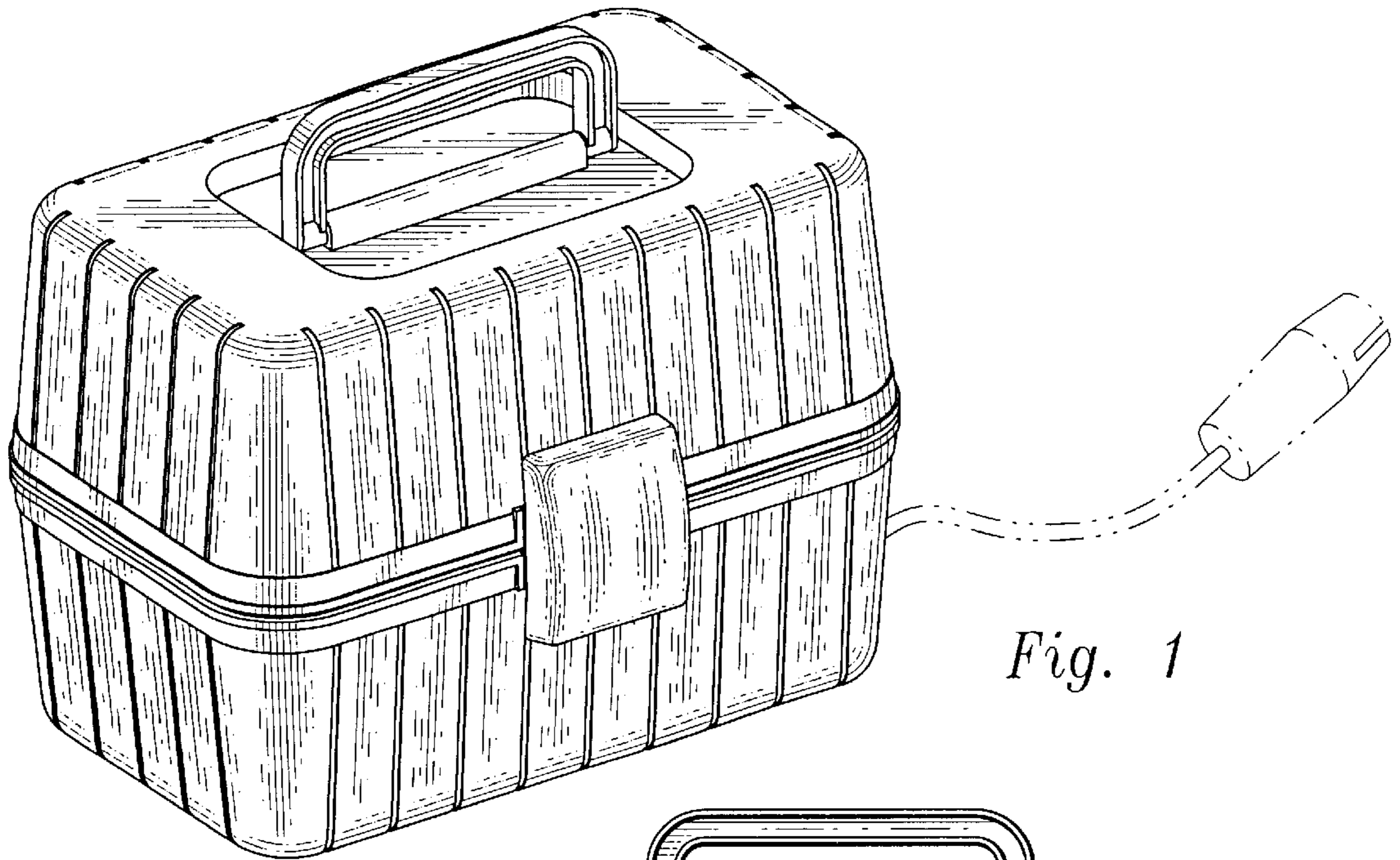


Fig. 1

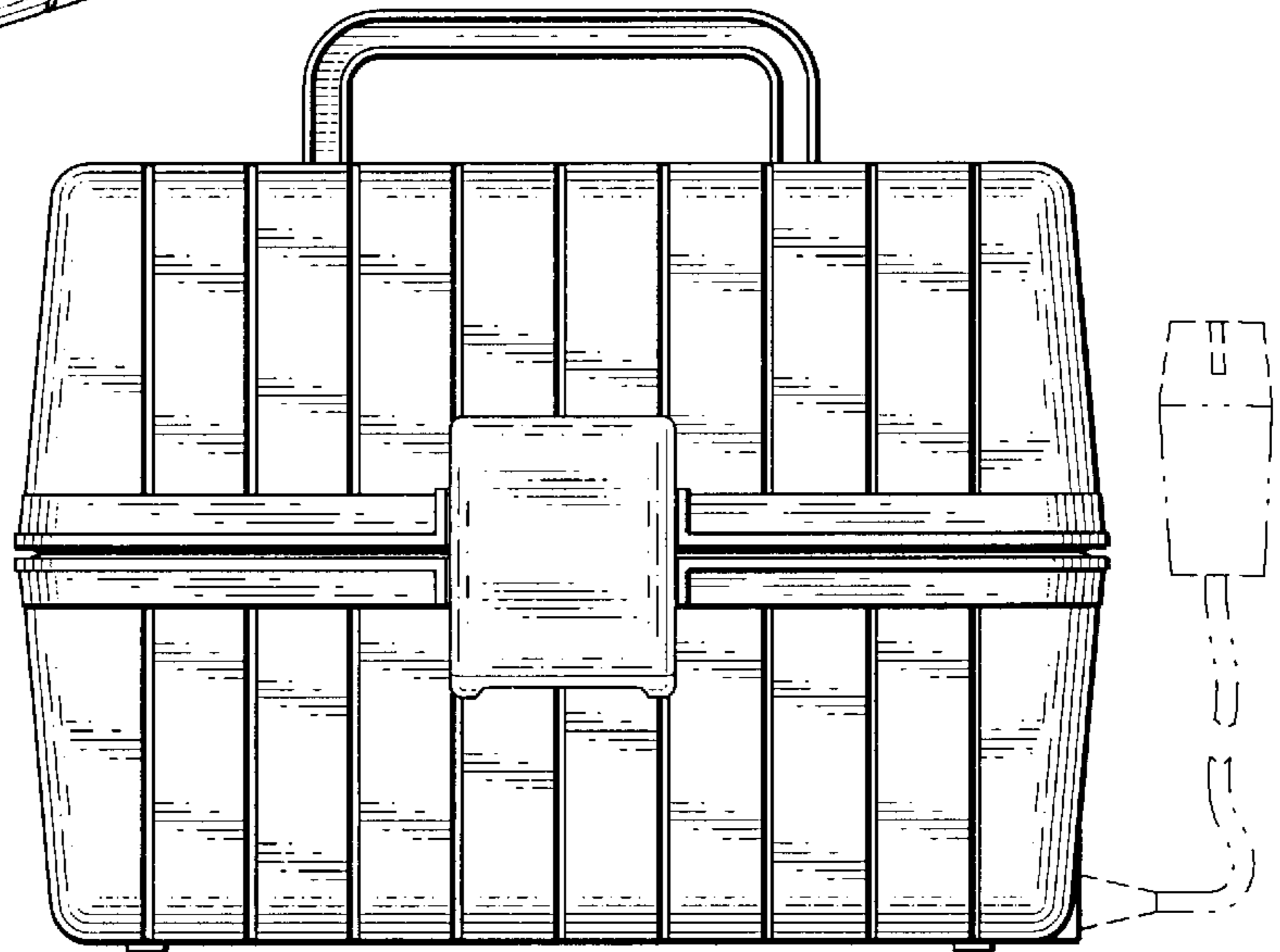


Fig. 2

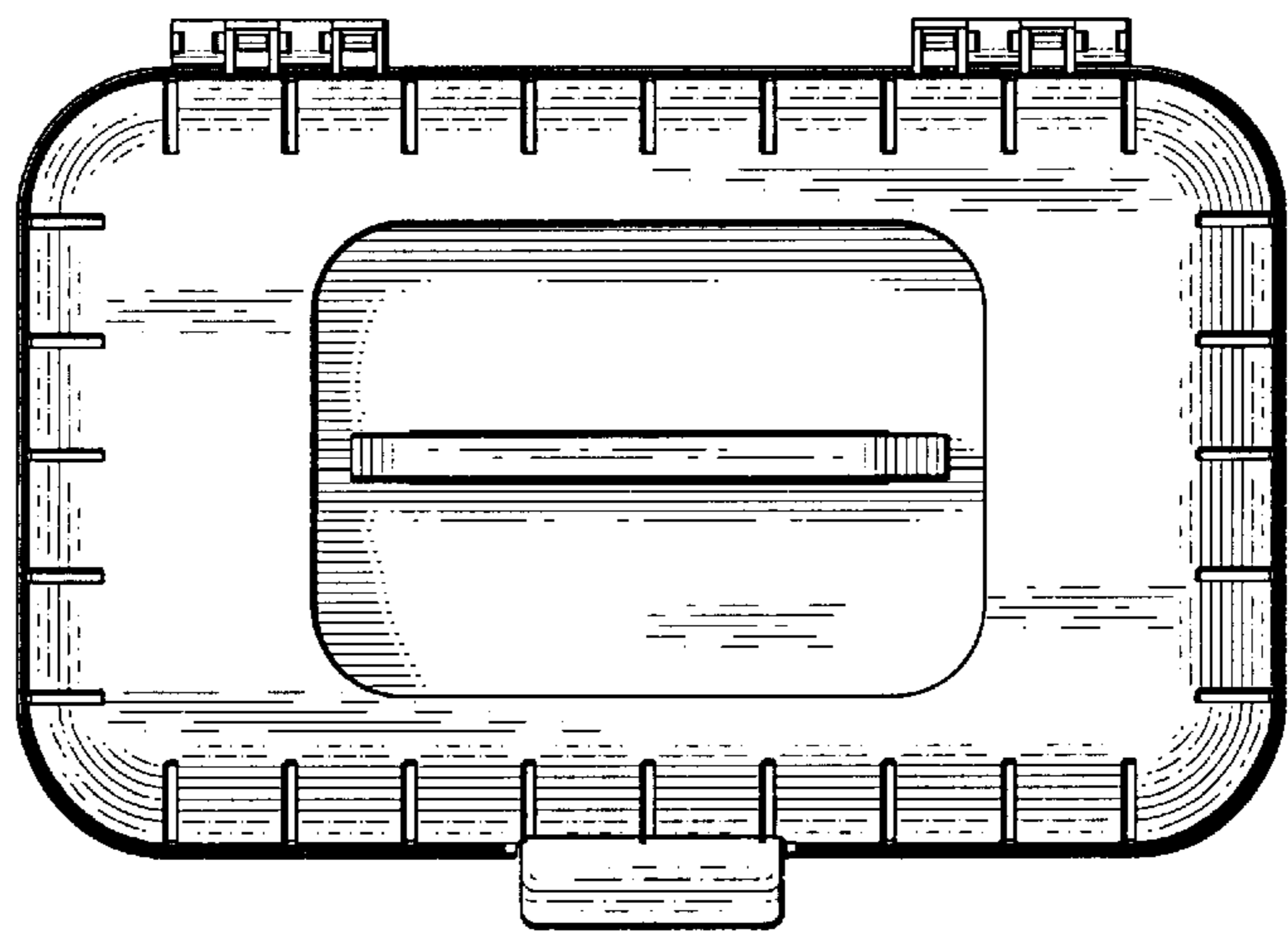


Fig. 3

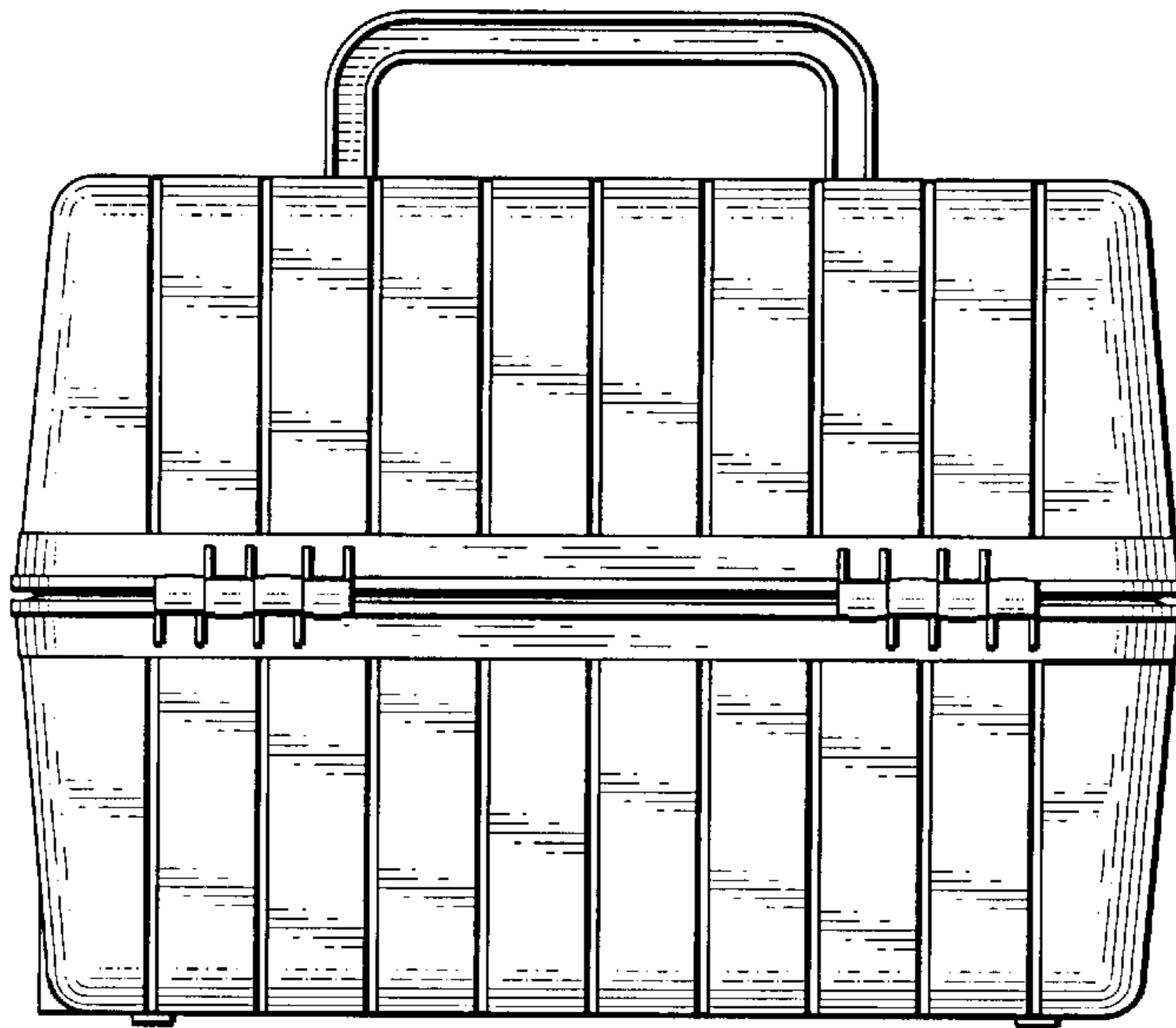


Fig. 4

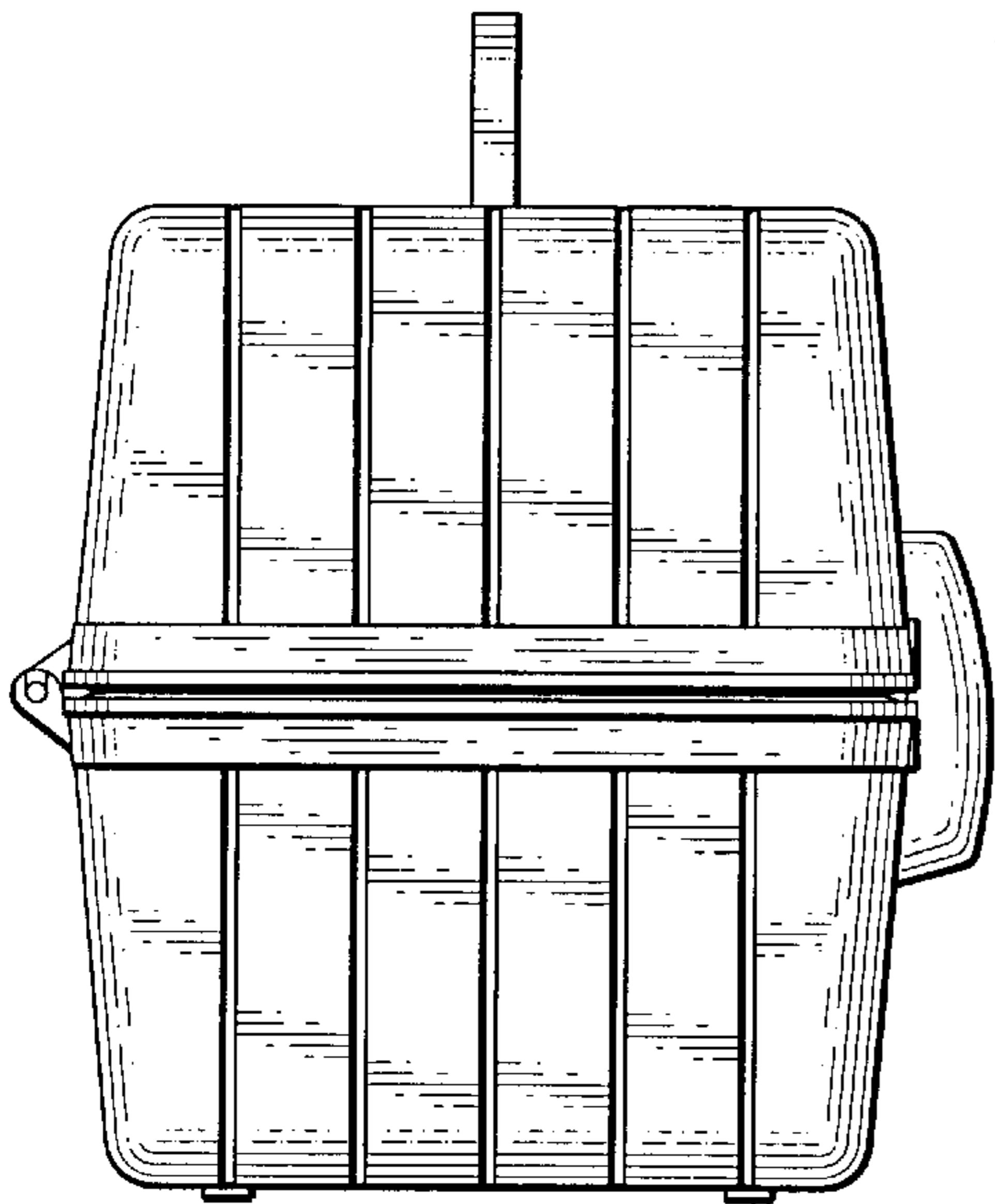


Fig. 5

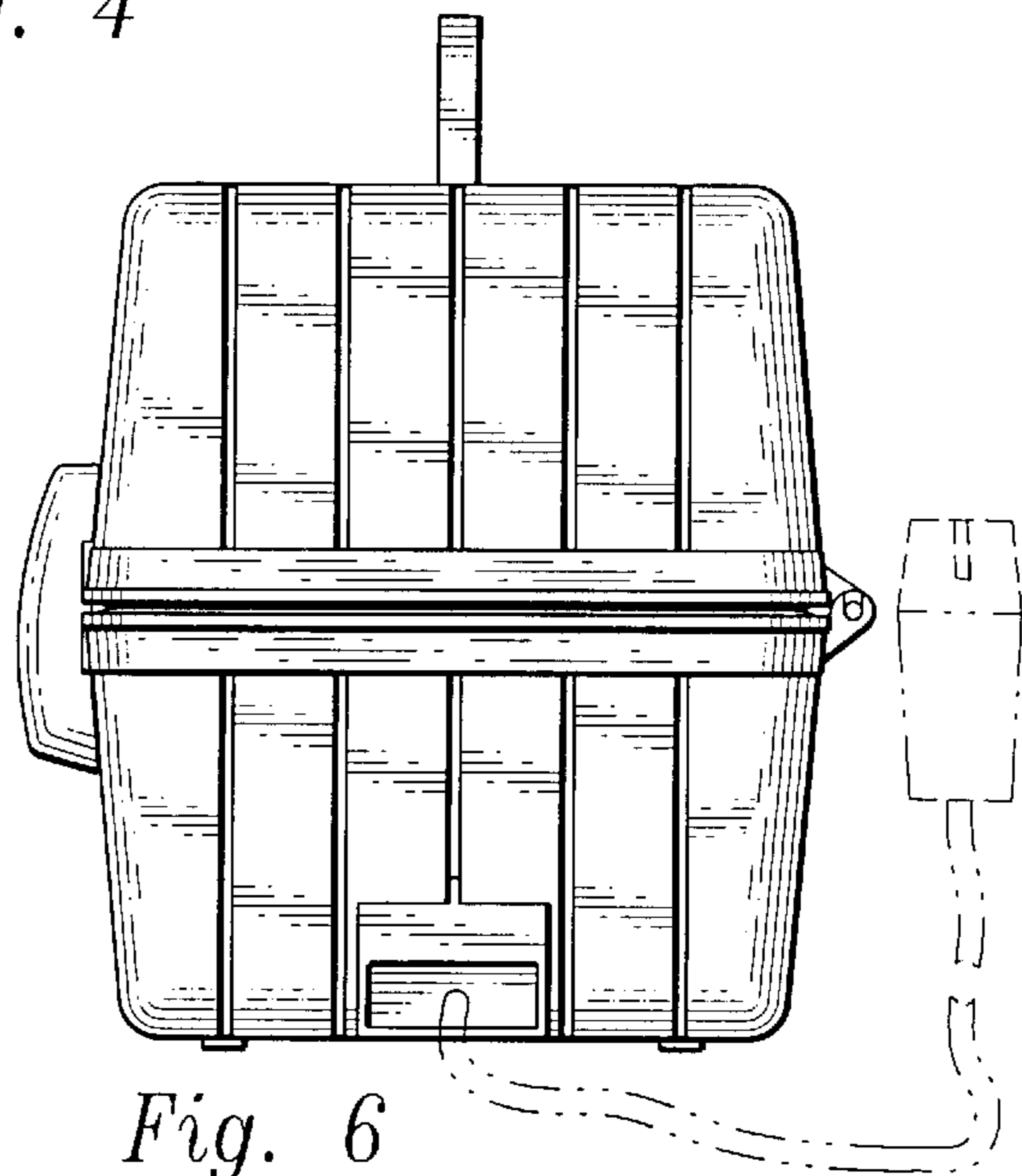


Fig. 6

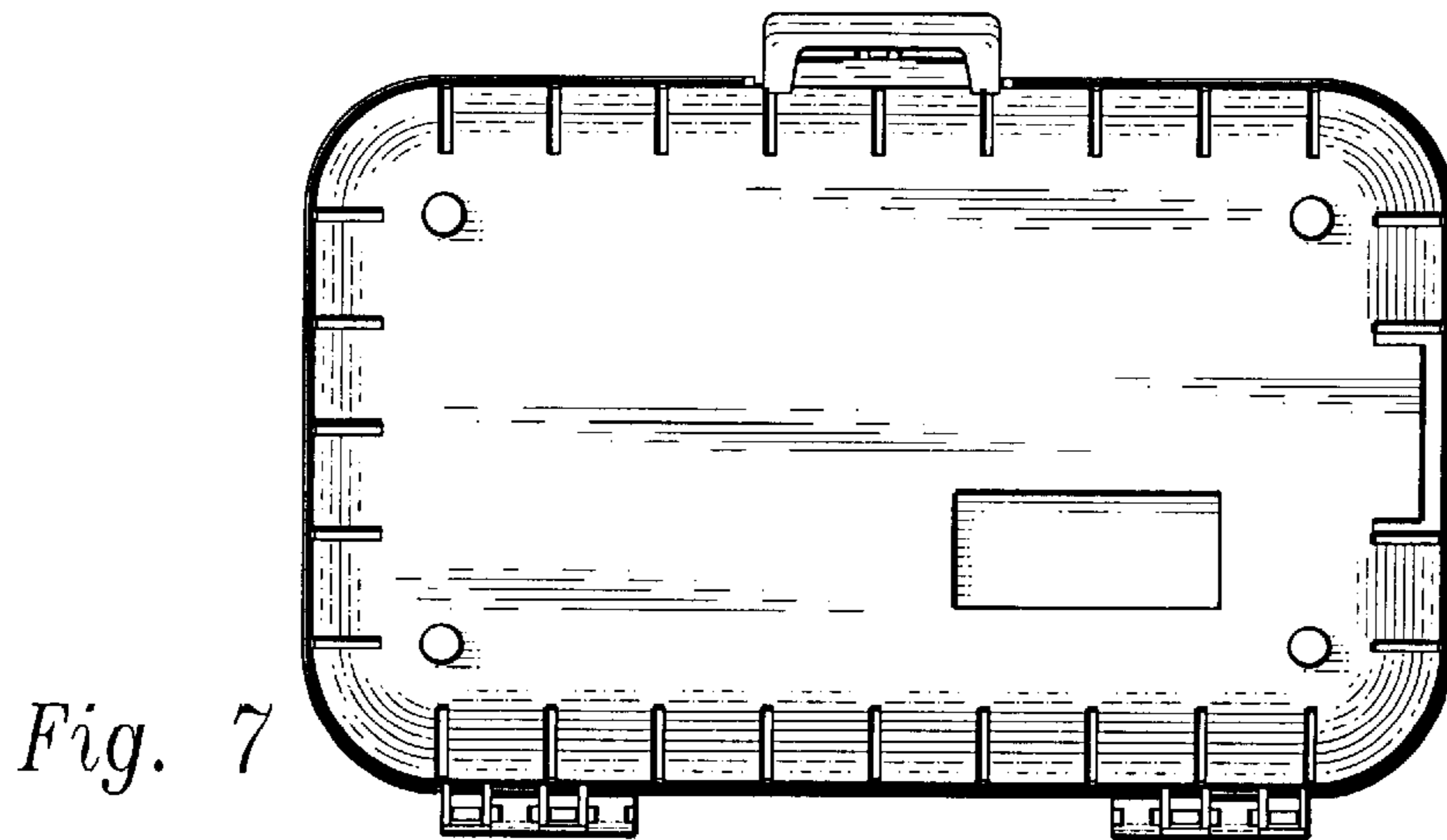


Fig. 7

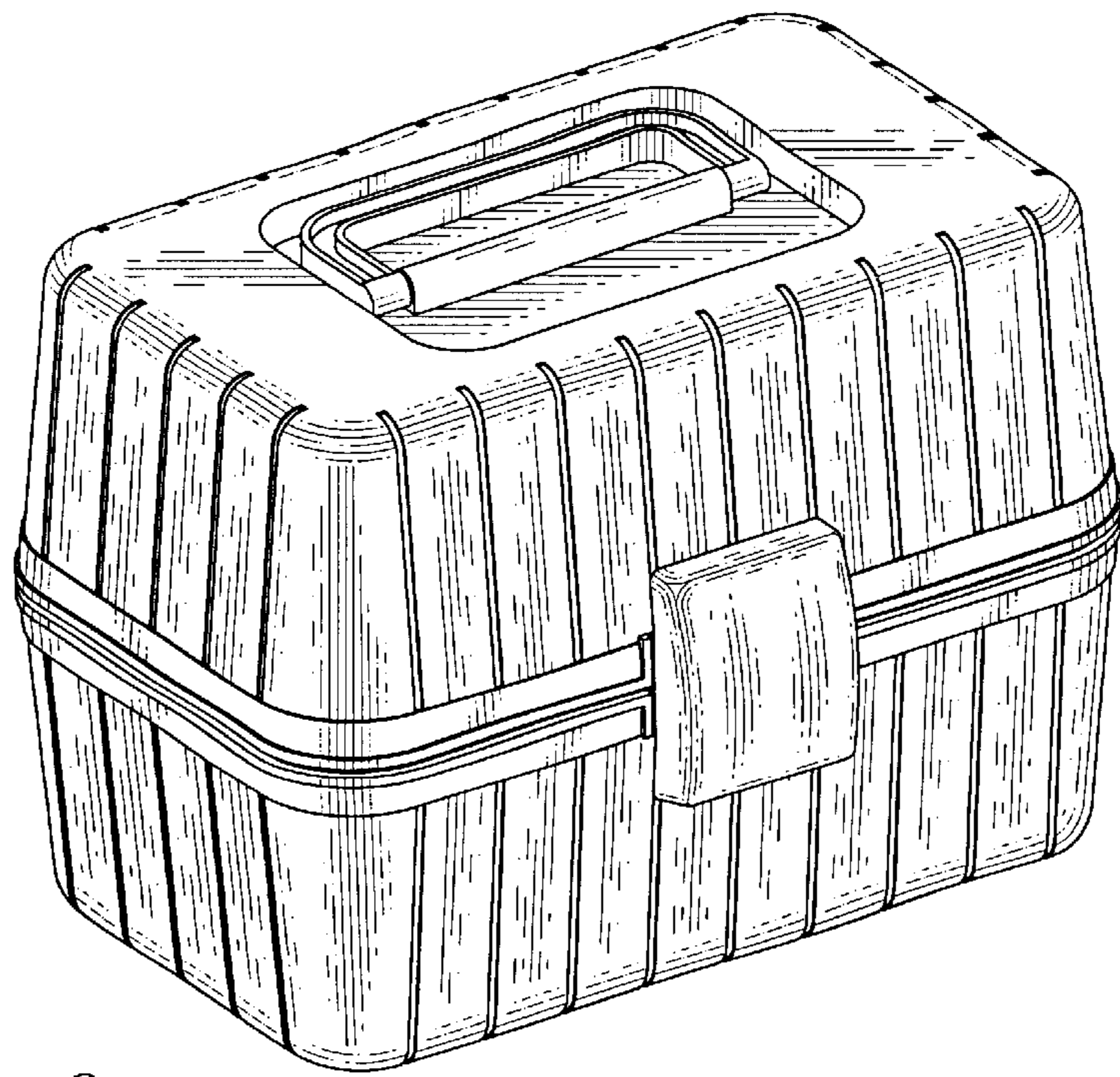


Fig. 8

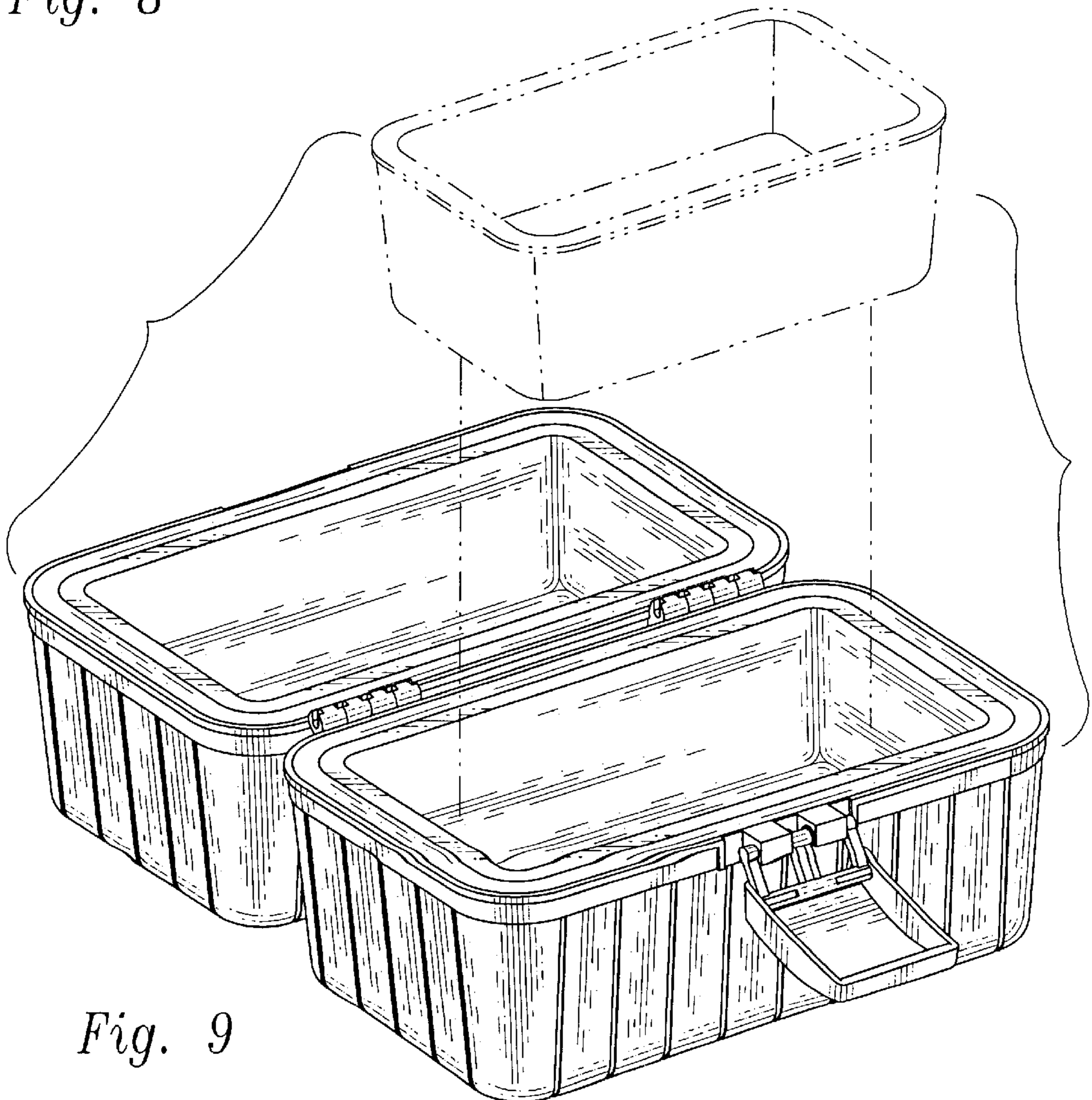


Fig. 9