



US00D455601S

(12) **United States Design Patent**  
**Gerster et al.**

(10) **Patent No.:** **US D455,601 S**  
(45) **Date of Patent:** **\*\* Apr. 16, 2002**

(54) **STOVE**

(76) Inventors: **Peter Gerster**, Kohlplatzweg 16, 4310  
Rheinfelden; **Kurt Zimmerli**,  
Dorfstrasse 5, 8532 Warth, both of (CH)

(\*\*) Term: **14 Years**

(21) Appl. No.: **29/128,543**

(22) Filed: **Aug. 25, 2000**

(30) **Foreign Application Priority Data**

Feb. 29, 2000 (CH) ..... 126758

(51) **LOC (7) Cl.** ..... **07-02**

(52) **U.S. Cl.** ..... **D7/362**

(58) **Field of Search** ..... D7/350.1, 350.2,  
D7/350.3, 350.4, 351, 402, 405, 323, 362-367,  
337, 352, 357, 346; 126/273 R, 273 A,  
275 R, 275 E, 19 M, 21 A; 99/423, 339,  
401, 340, 448

(56) **References Cited**

**U.S. PATENT DOCUMENTS**

4,062,275 A \* 12/1977 Appel et al. .... 99/393  
D272,509 S \* 2/1984 Hirose et al. .... D7/365

D295,251 S \* 4/1988 Veniat ..... D7/328  
D340,615 S \* 10/1993 Guerrier et al. .... D7/365  
5,431,091 A \* 7/1995 Couture ..... 99/401  
D409,042 S \* 5/1999 Cossy ..... D7/362  
D415,927 S \* 11/1999 Weber ..... D7/363  
6,082,249 A \* 7/2000 Su ..... 99/340  
6,116,154 A \* 9/2000 Vaseloff ..... 99/483  
D432,350 S \* 10/2000 Blaise ..... D7/362  
D442,822 S \* 5/2001 Lin ..... D7/362

\* cited by examiner

*Primary Examiner*—Ruth McInroy

(74) *Attorney, Agent, or Firm*—Akin, Gump, Strauss,  
Hauer & Feld, L.L.P.

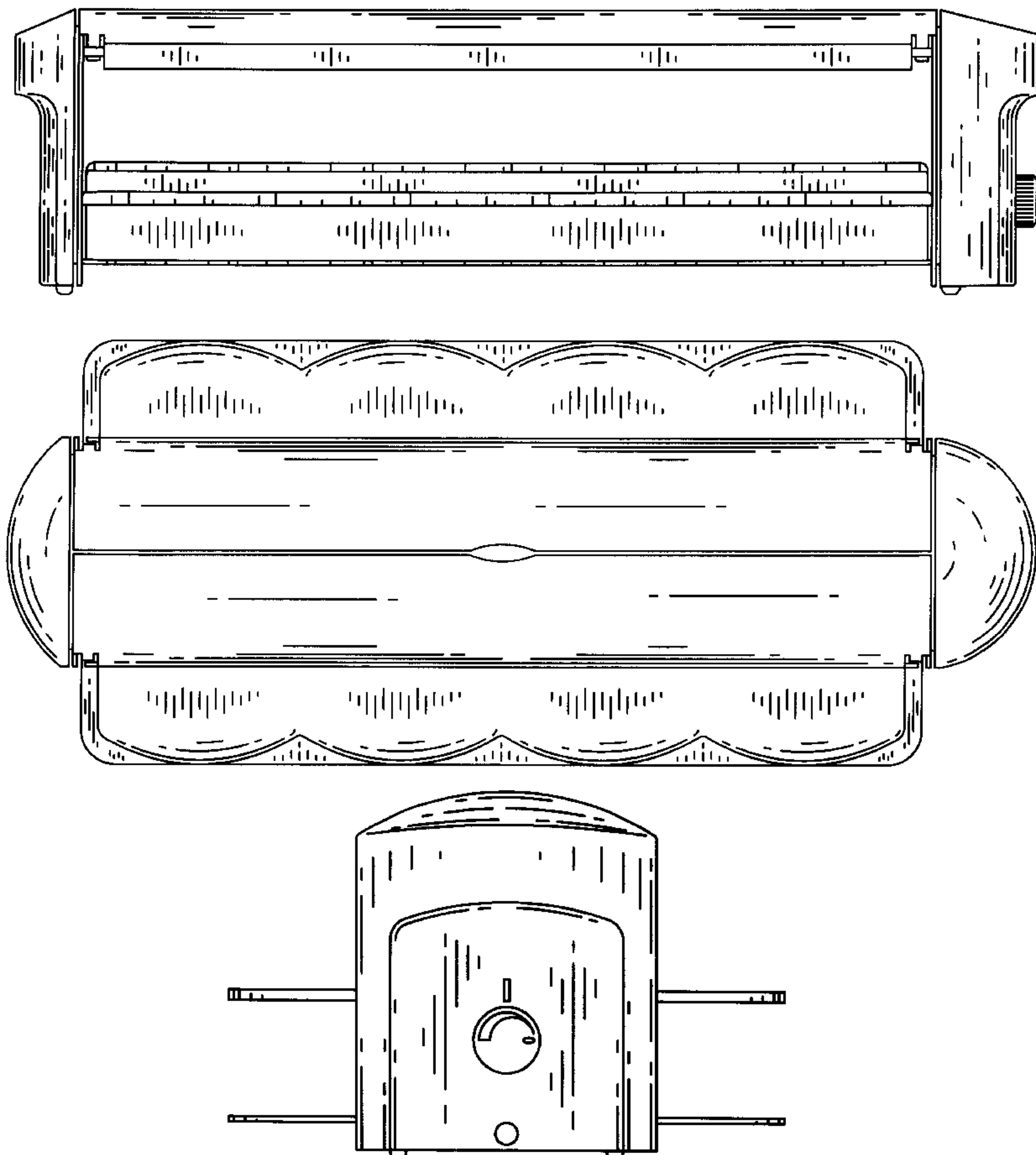
(57) **CLAIM**

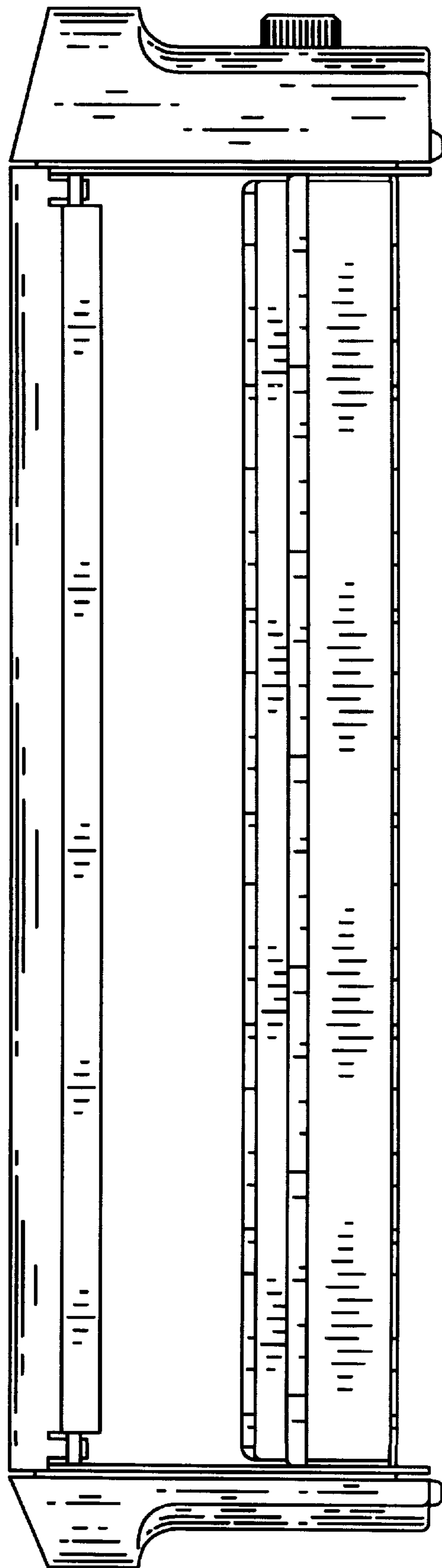
The ornamental design for a stove, as shown and described.

**DESCRIPTION**

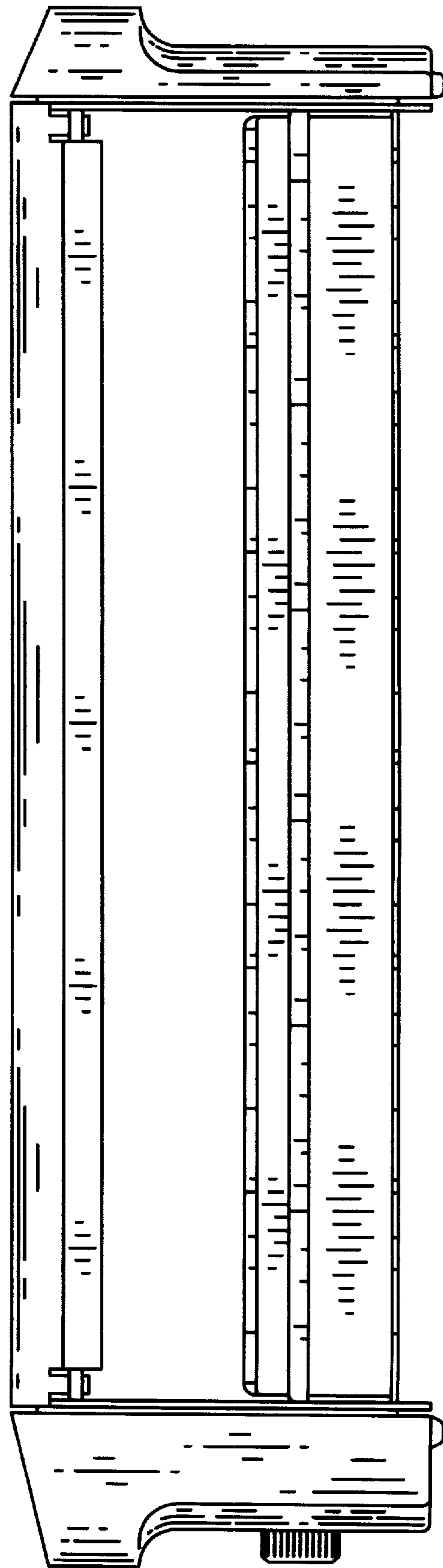
FIG. 1 is a front elevational view of a stove showing our new design;  
FIG. 2 is a rear elevational view thereof;  
FIG. 3 is a top plan view thereof;  
FIG. 4 is a bottom plan view thereof;  
FIG. 5 is a left side elevational view thereof; and,  
FIG. 6 is a right side elevational view thereof.

**1 Claim, 5 Drawing Sheets**

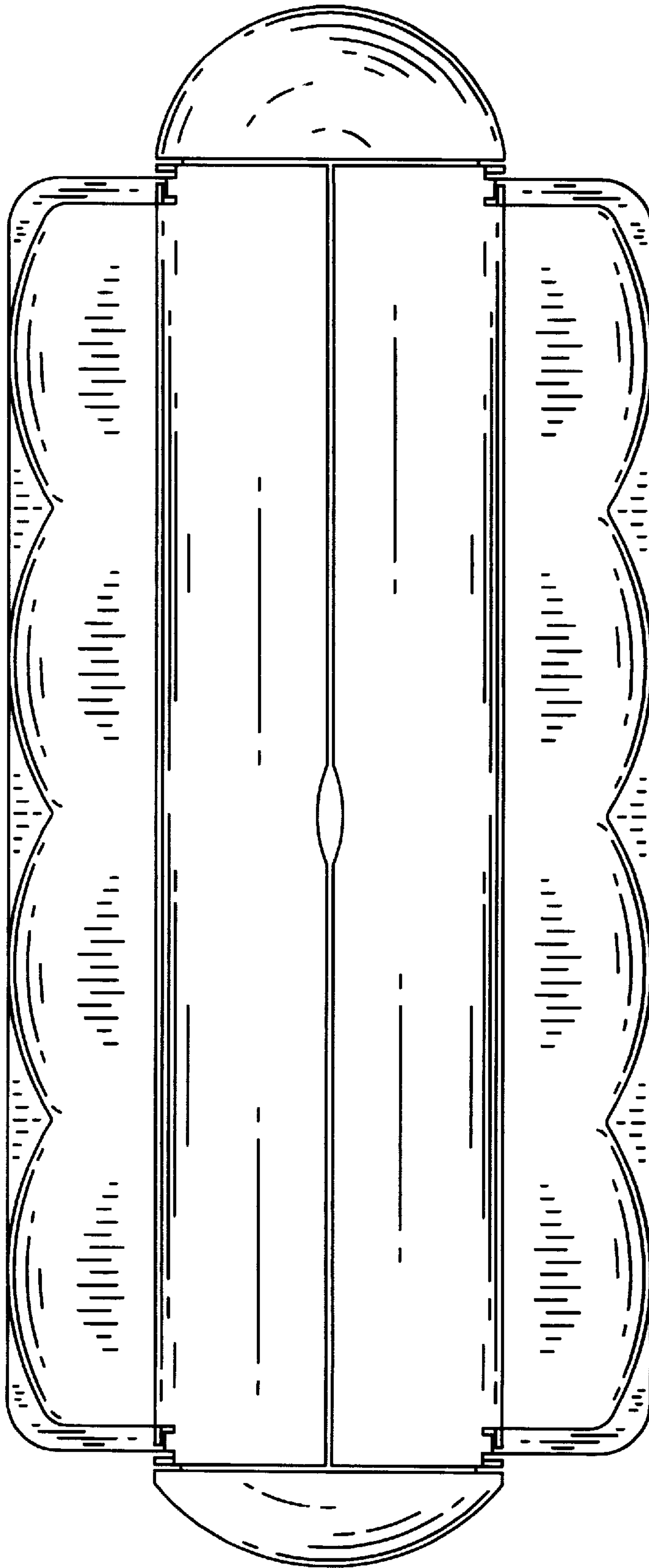




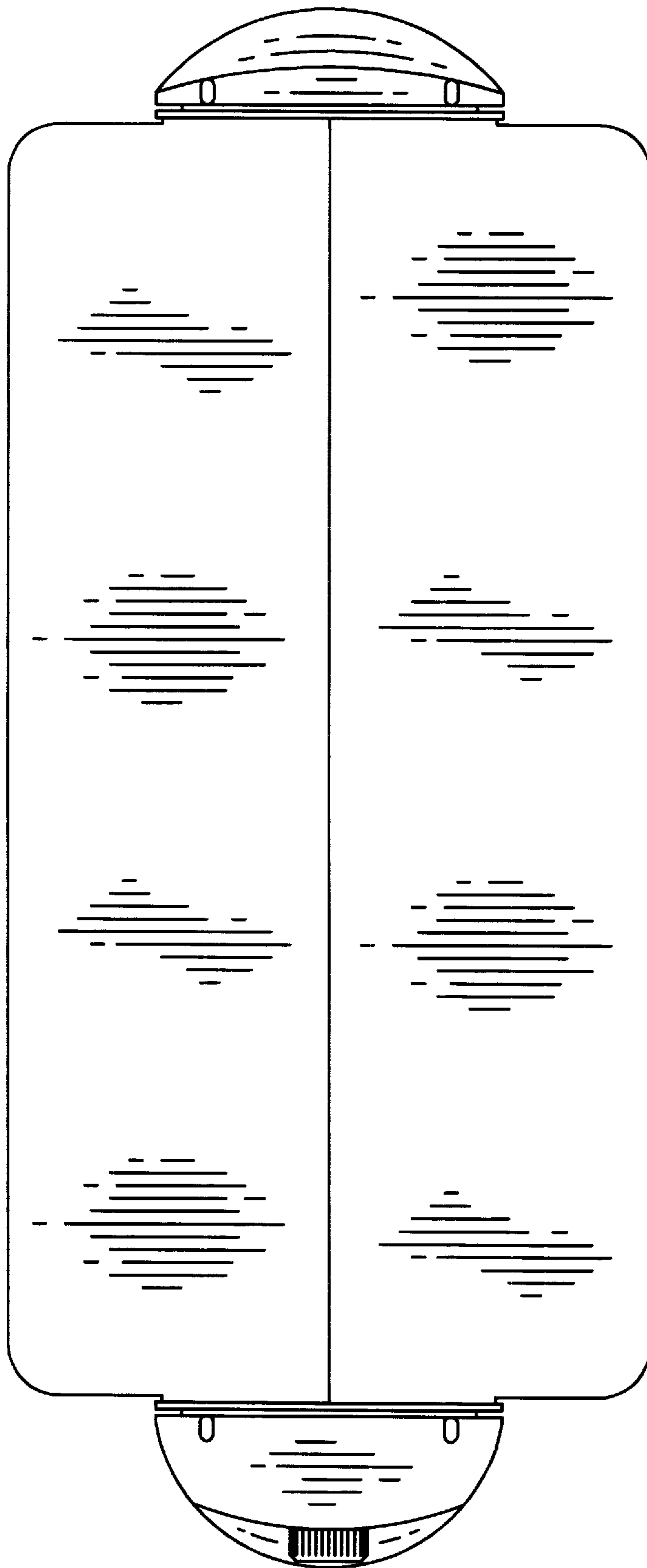
*Fig. 1*



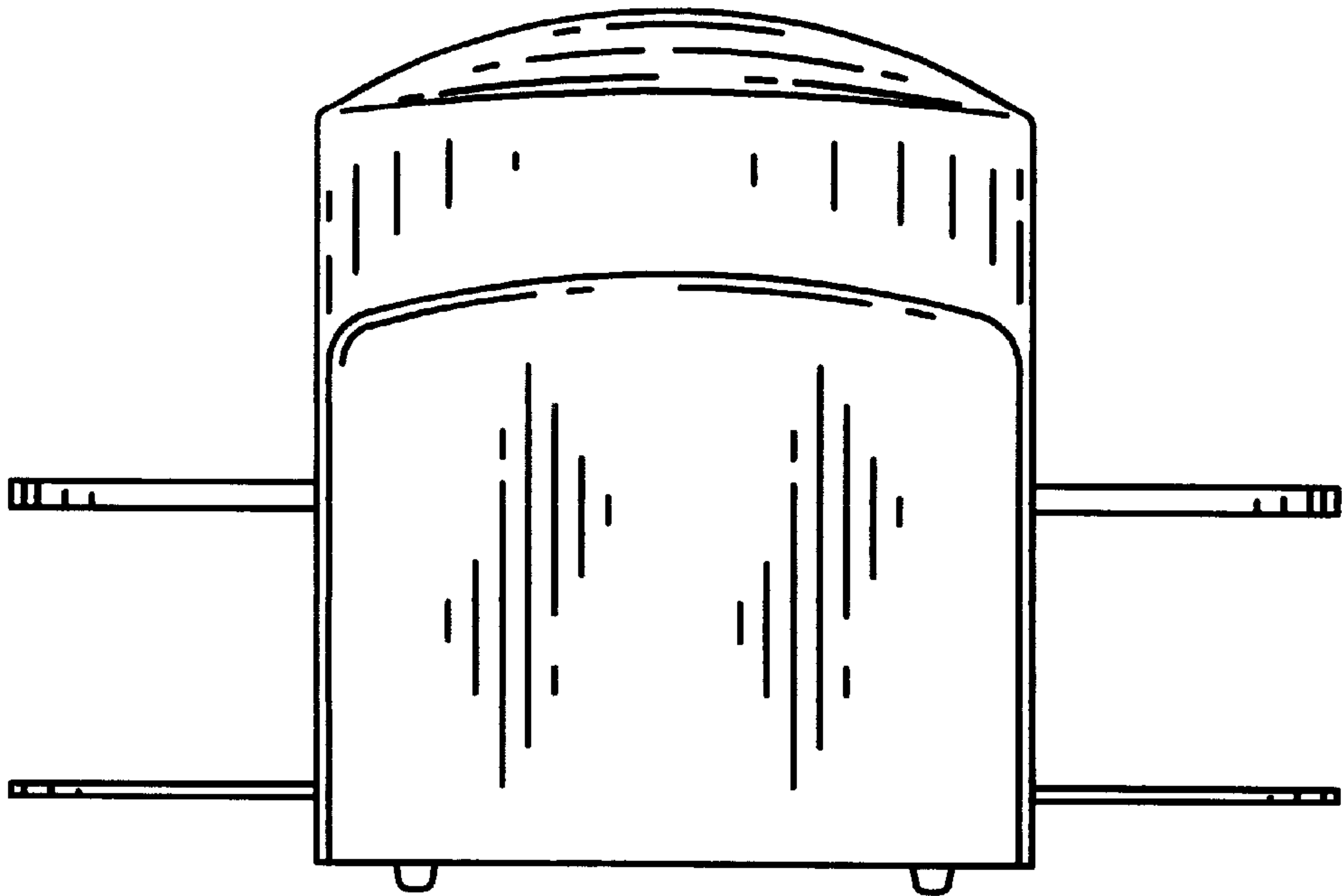
*Fig. 2*



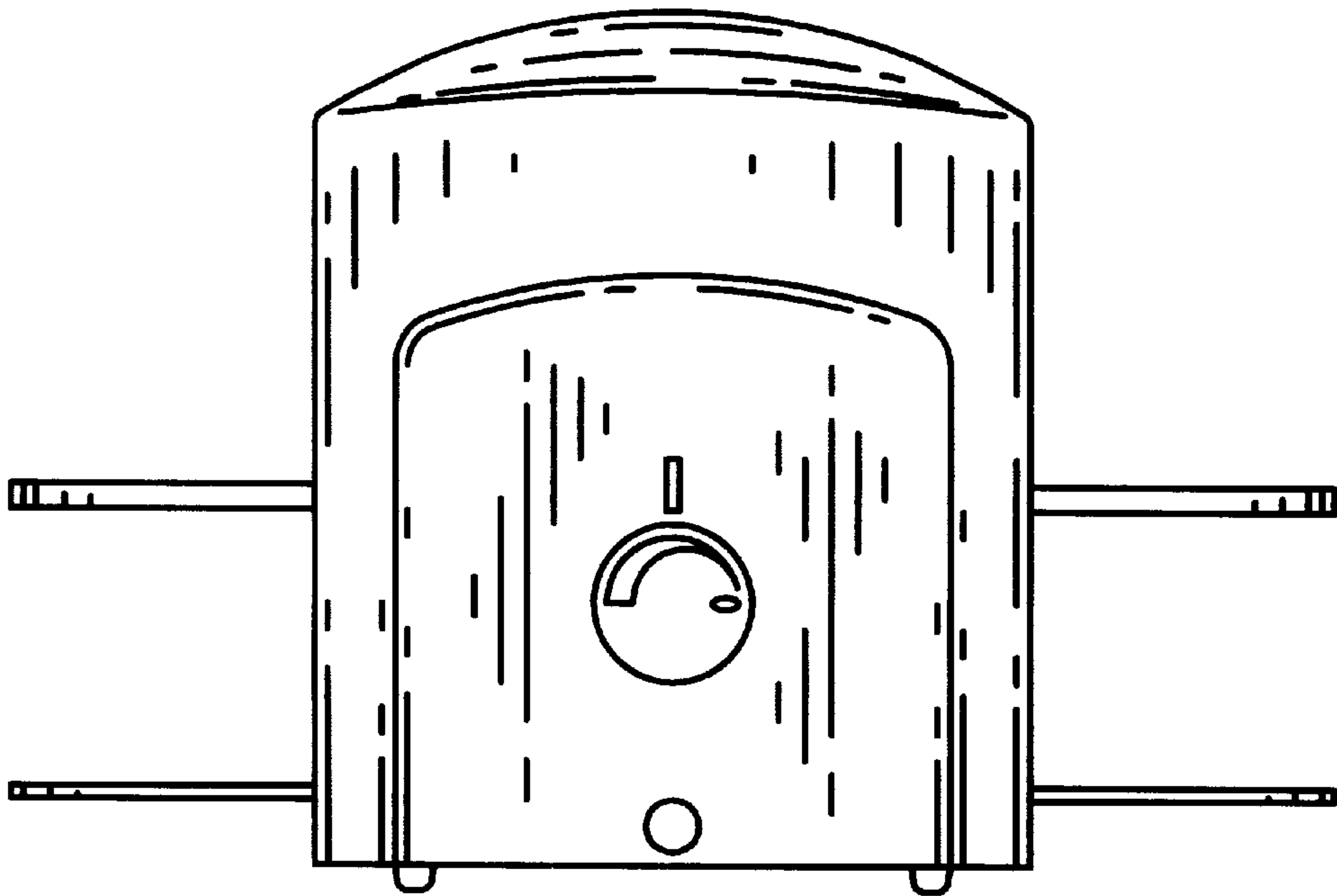
*Fig. 3*



*Fig. 4*



*Fig. 5*



*Fig. 6*