



US00D455600S

(12) **United States Design Patent**  
**Barrena**

(10) **Patent No.:** **US D455,600 S**

(45) **Date of Patent:** **\*\* Apr. 16, 2002**

(54) **PRESSURE COOKER**

(75) Inventor: **Joseba Barrena**, Mondragon (ES)

(73) Assignee: **Fagor, S. Coop.**, Mondragon (ES)

(\*\*) Term: **14 Years**

(21) Appl. No.: **29/145,229**

(22) Filed: **Jul. 17, 2001**

(30) **Foreign Application Priority Data**

Feb. 5, 2001 (ES) ..... 150477

(51) **LOC (7) Cl.** ..... **07-02**

(52) **U.S. Cl.** ..... **D7/358**

(58) **Field of Search** ..... D7/323, 354-361;  
99/324, 325, 329 R, 339; 220/573.1, 203.01,  
303, 203.07

(56) **References Cited**

**U.S. PATENT DOCUMENTS**

D263,782 S \* 4/1982 Jackson et al. .... D7/358

D312,751 S \* 12/1990 Moreno ..... D7/358

D432,349 S \* 10/2000 Jo ..... D7/358

D433,273 S \* 11/2000 Roussard ..... D7/358

\* cited by examiner

*Primary Examiner*—Caron D. Veynar

(74) *Attorney, Agent, or Firm*—The Kline Law Firm

(57) **CLAIM**

The ornamental design for a pressure cooker, as shown.

**DESCRIPTION**

FIG. 1 is a left side elevational view of the pressure cooker.

FIG. 2 is a right side elevational view of the pressure cooker.

FIG. 3 is a front elevational view of the pressure cooker.

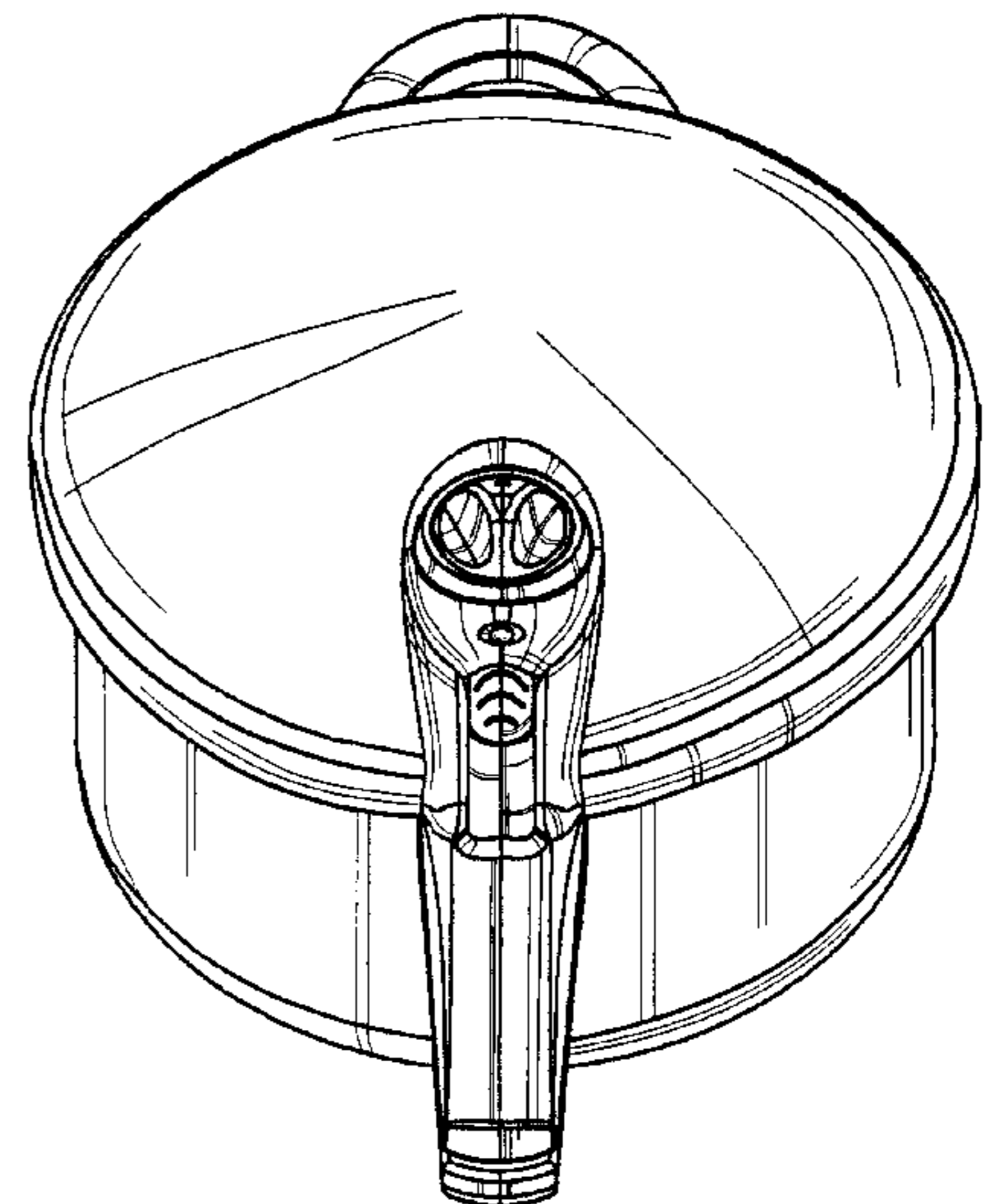
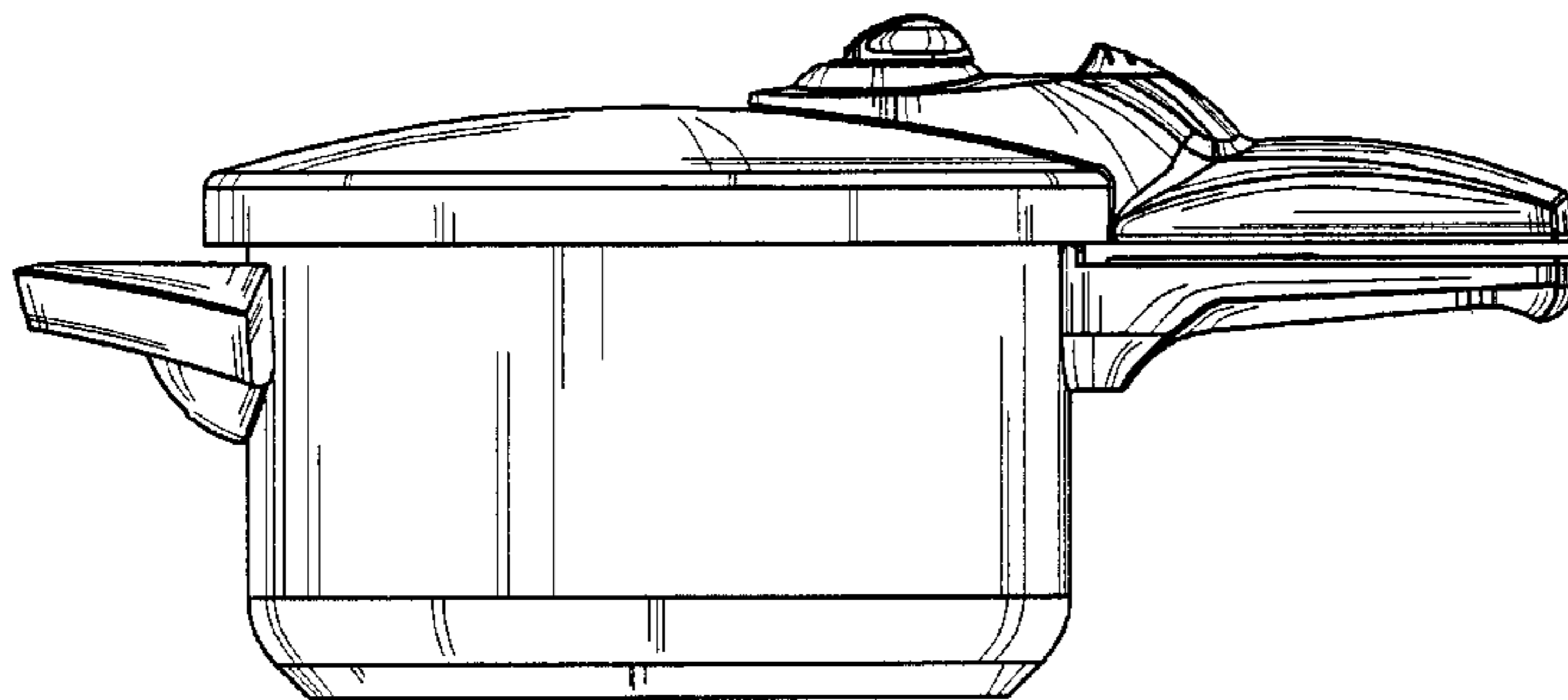
FIG. 4 is a rear elevational view of the pressure cooker.

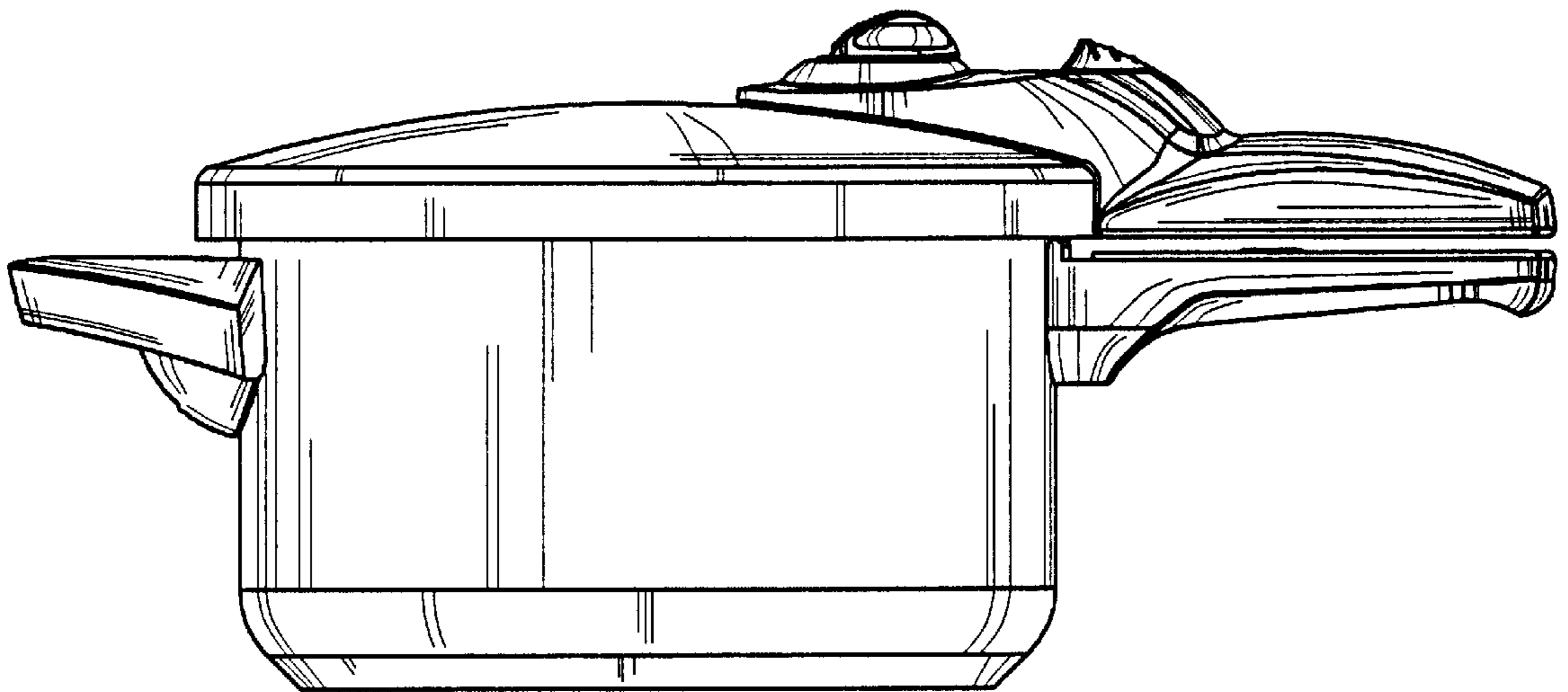
FIG. 5 is a top plan view of the pressure cooker.

FIG. 6 is a bottom plan view of the pressure cooker; and,

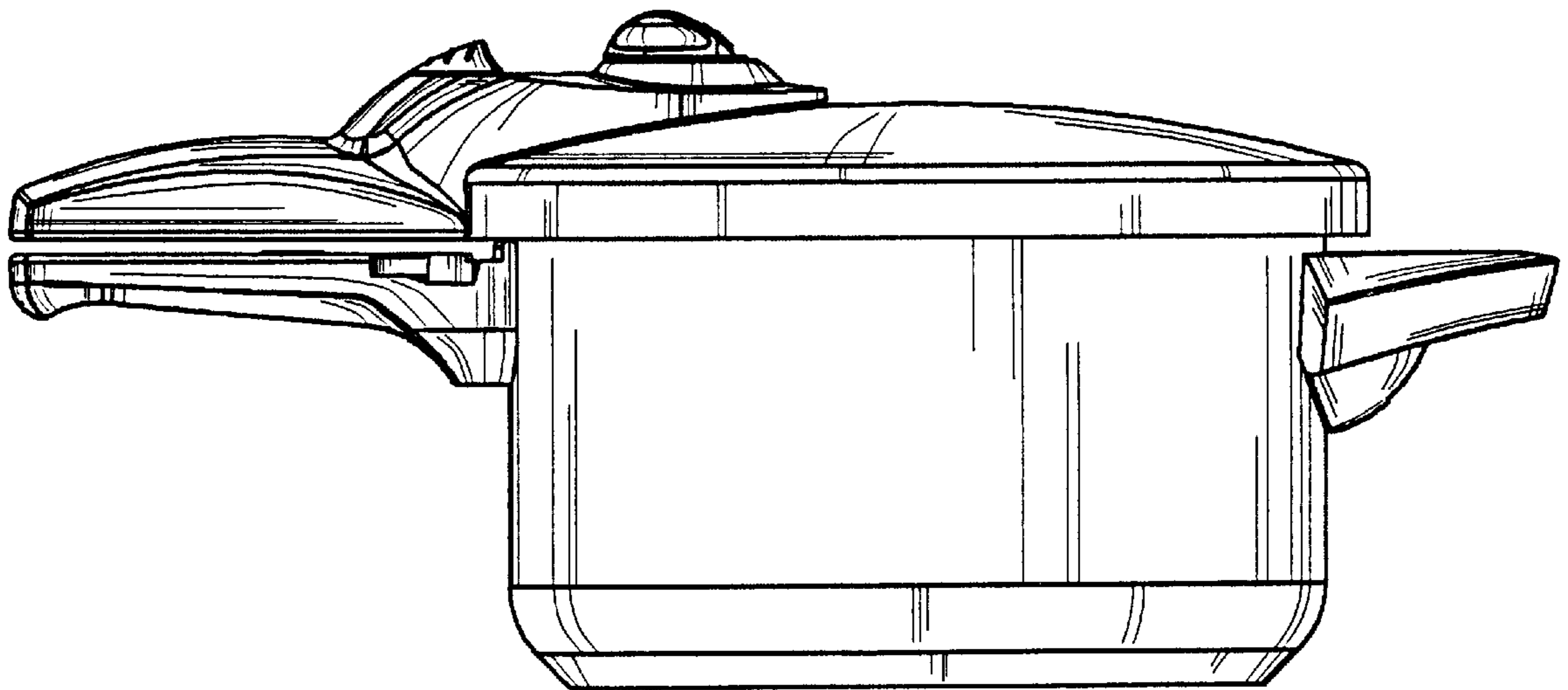
FIG. 7 is a perspective view thereof.

**1 Claim, 7 Drawing Sheets**

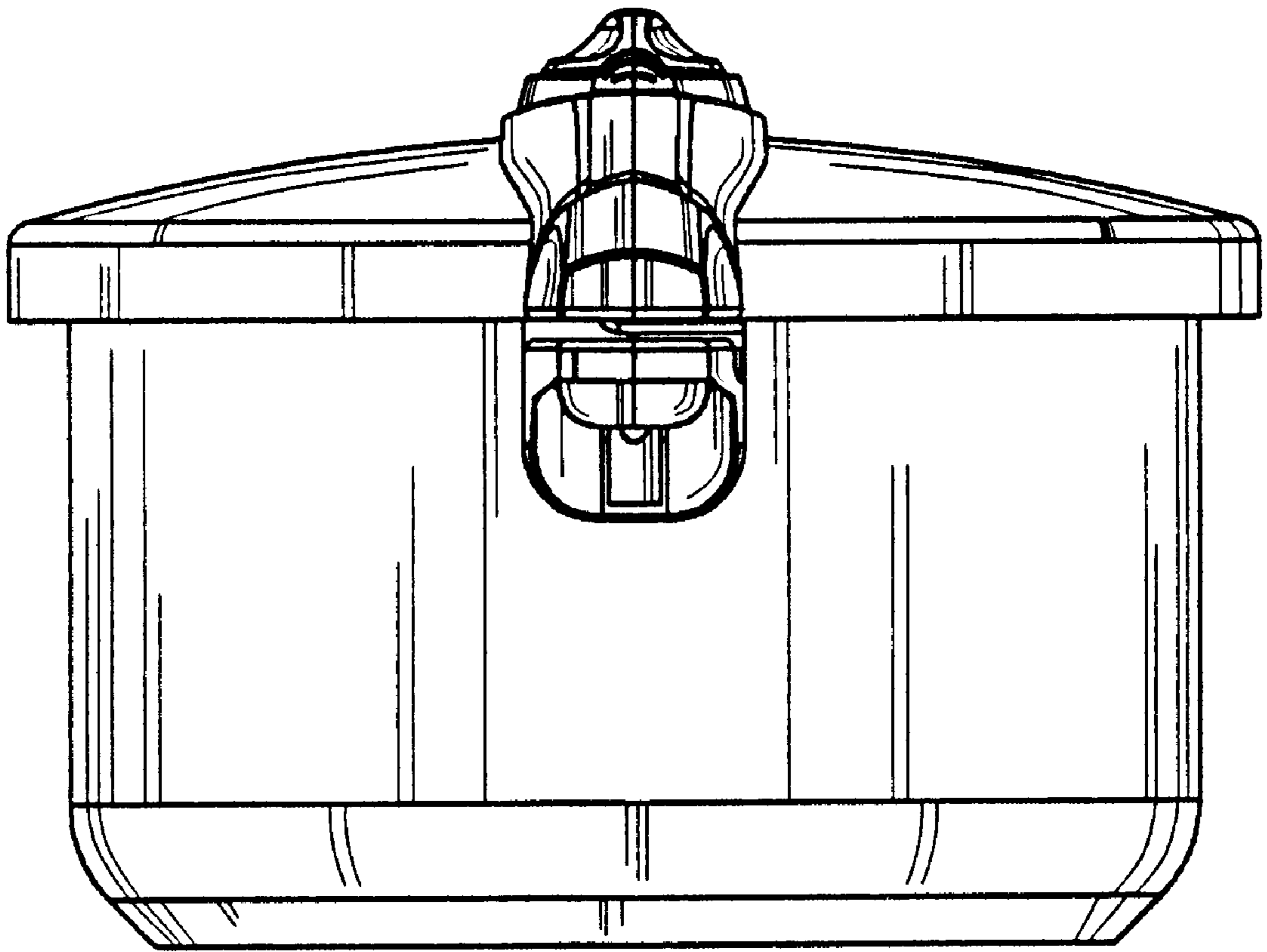




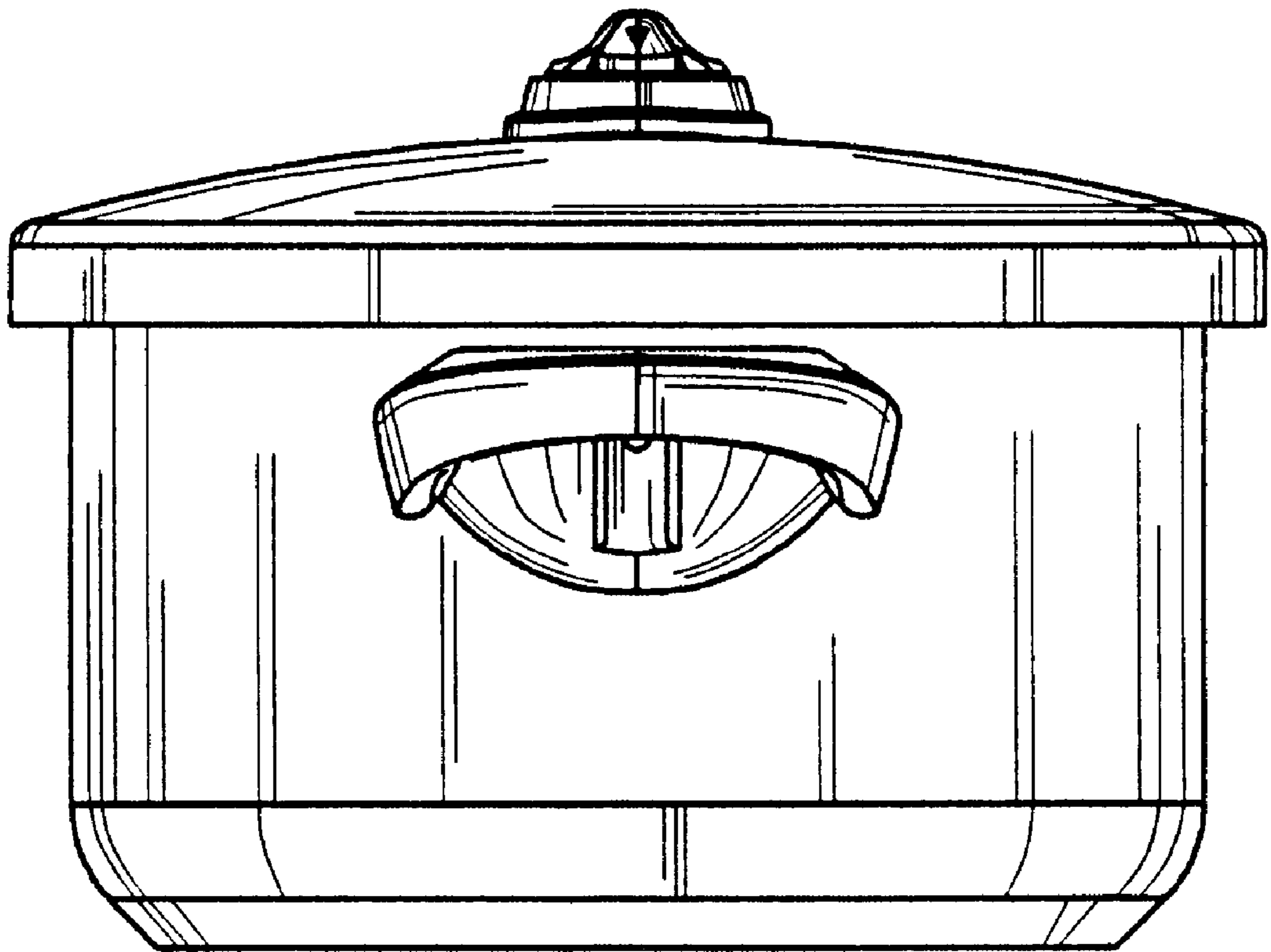
**Fig. 1**



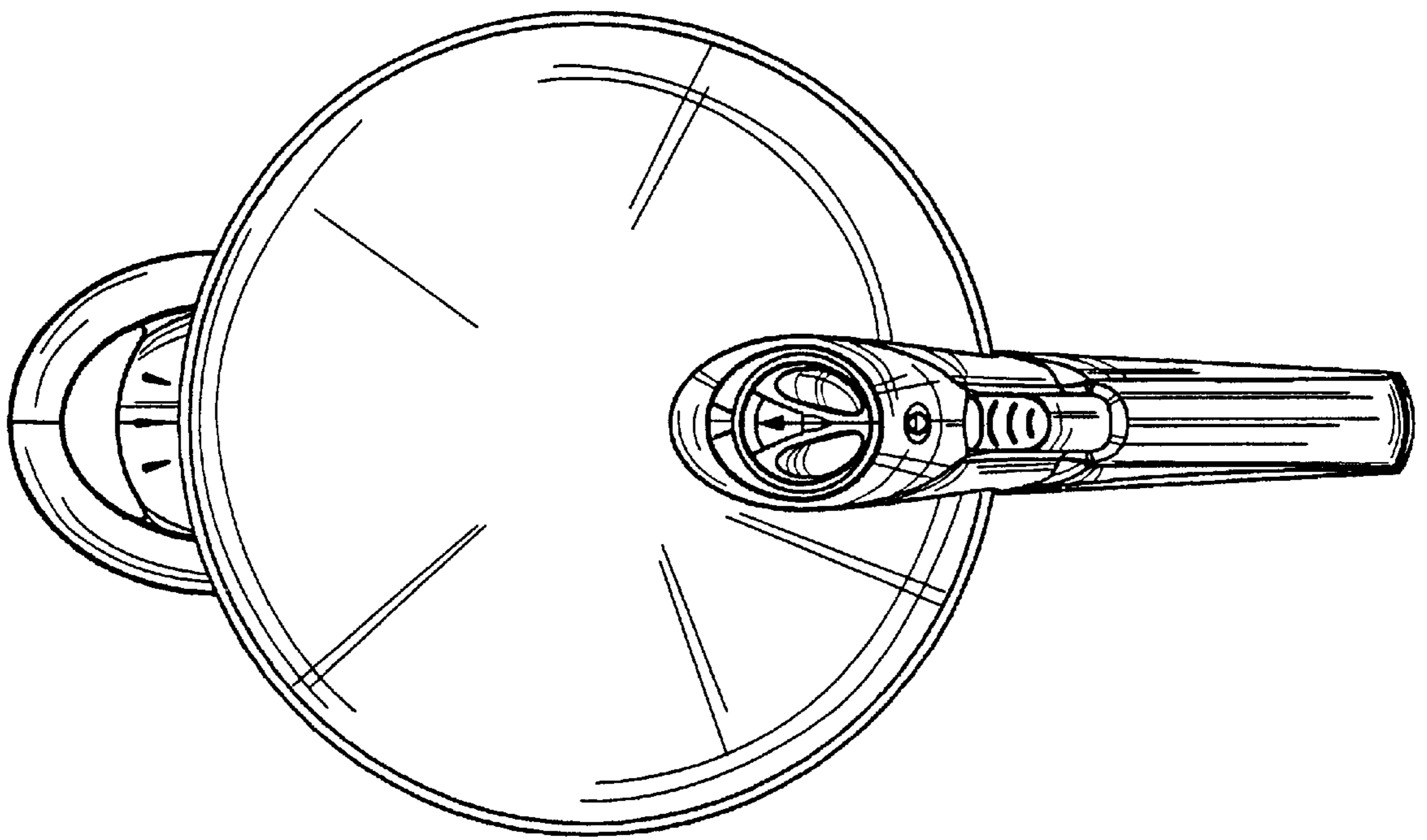
**Fig. 2**



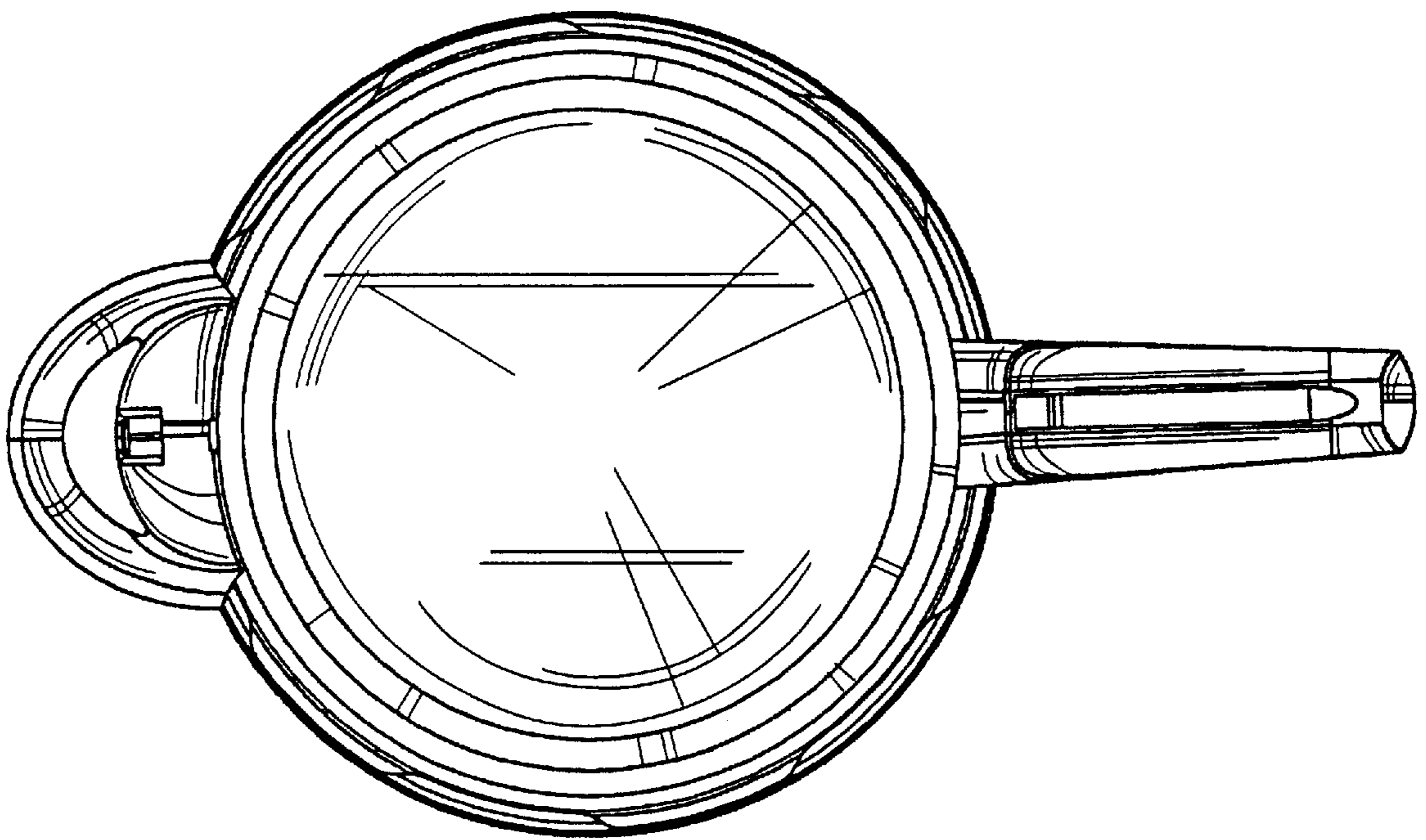
**Fig. 3**



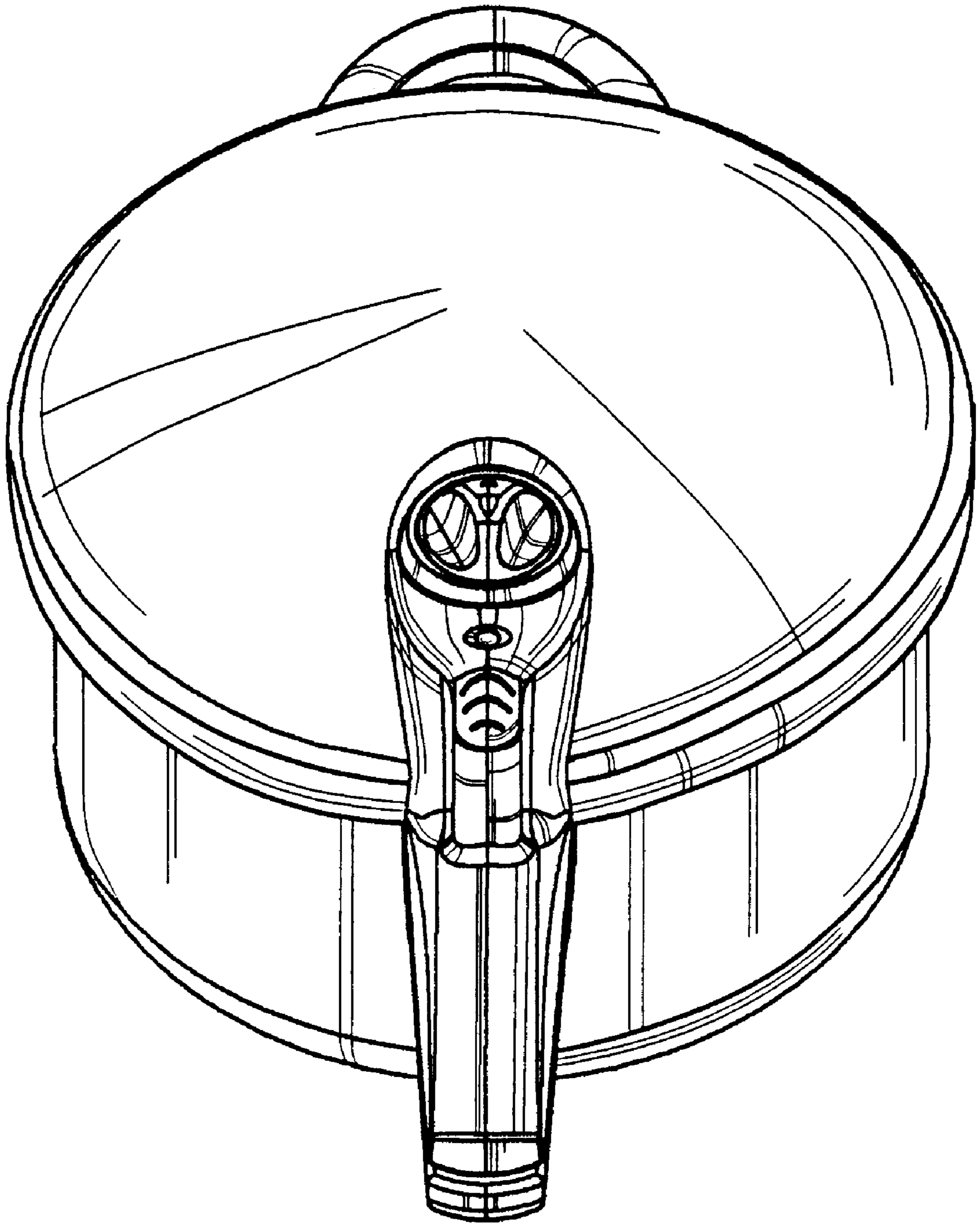
**Fig. 4**



**Fig. 5**



**Fig. 6**



**Fig. 7**