



US00D455598S

(12) **United States Design Patent**
Pai

(10) **Patent No.:** **US D455,598 S**

(45) **Date of Patent:** **** Apr. 16, 2002**

(54) **ROASTER**

(76) **Inventor:** **Lucas Pai**, 8 Fl.-2, No. 160, Sec. 1,
Chung-Kang Rd., Taichung (TW)

(**) **Term:** **14 Years**

(21) **Appl. No.:** **29/141,678**

(22) **Filed:** **May 10, 2001**

(51) **LOC (7) Cl.** **07-02**

(52) **U.S. Cl.** **D7/337**

(58) **Field of Search** D7/332, 334, 335,
D7/336, 337, 402, 409; 126/25 R, 25 A,
25 AA, 41 R, 29-30, 9 R, 9 B, 4, 6, 506,
519; D23/343, 348, 350, 317, 332, 334-336,
338-339; 99/443, 450, 421 R; 248/156

(56) **References Cited**

U.S. PATENT DOCUMENTS

D282,619 S * 2/1986 Fitzgerald et al. D7/332
D284,929 S * 8/1986 Schlosser et al. D7/332
D302,641 S * 8/1989 Elmburg D7/332

D415,649 S * 10/1999 Pai D7/337
D415,925 S * 11/1999 Pai D7/337
D420,244 S * 2/2000 Pai D7/332
D436,284 S * 1/2001 Mak D7/332
D446,678 S * 8/2001 Pai D7/337

* cited by examiner

Primary Examiner—Ruth McInroy

(74) *Attorney, Agent, or Firm*—Alan Kamrath

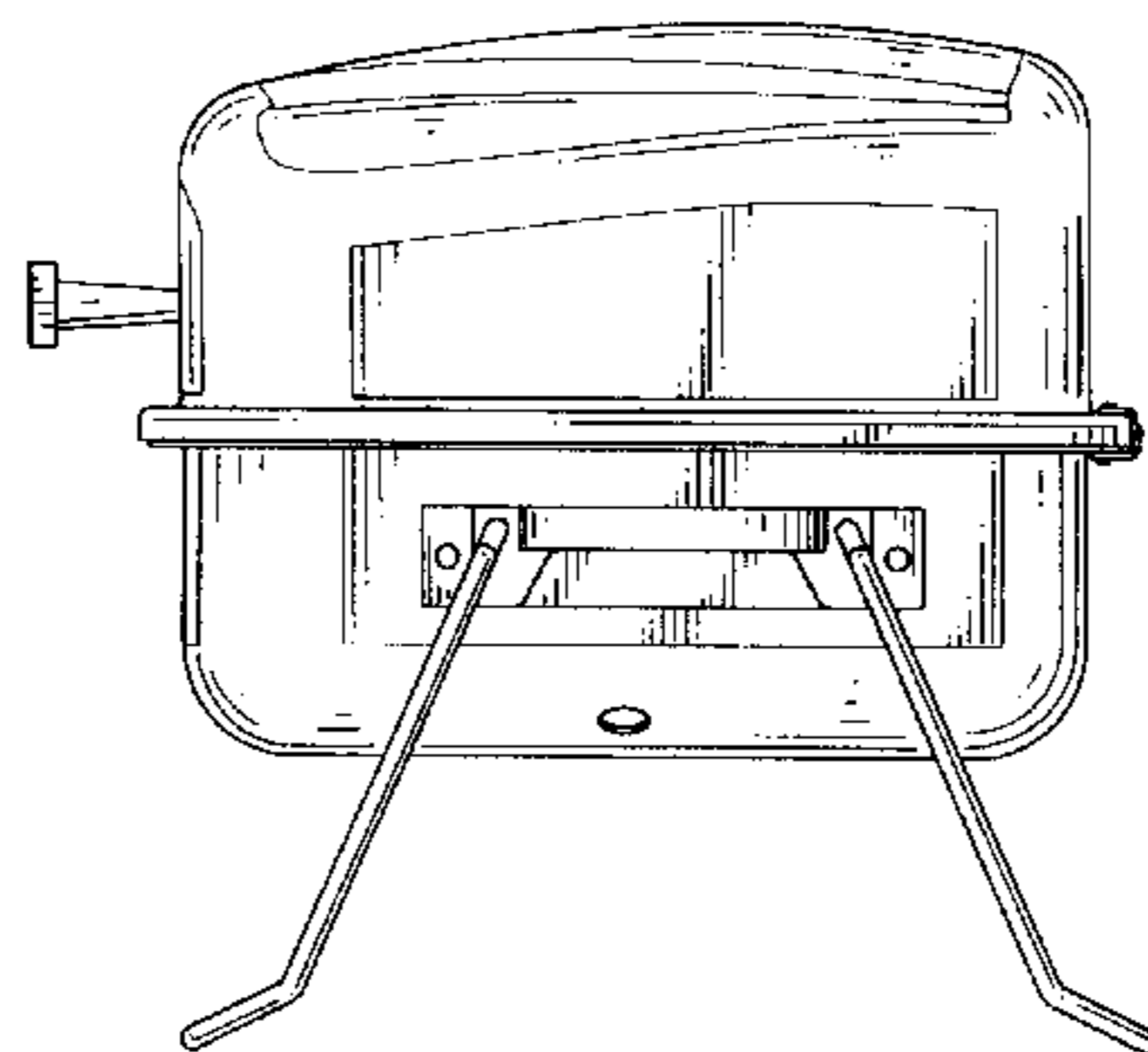
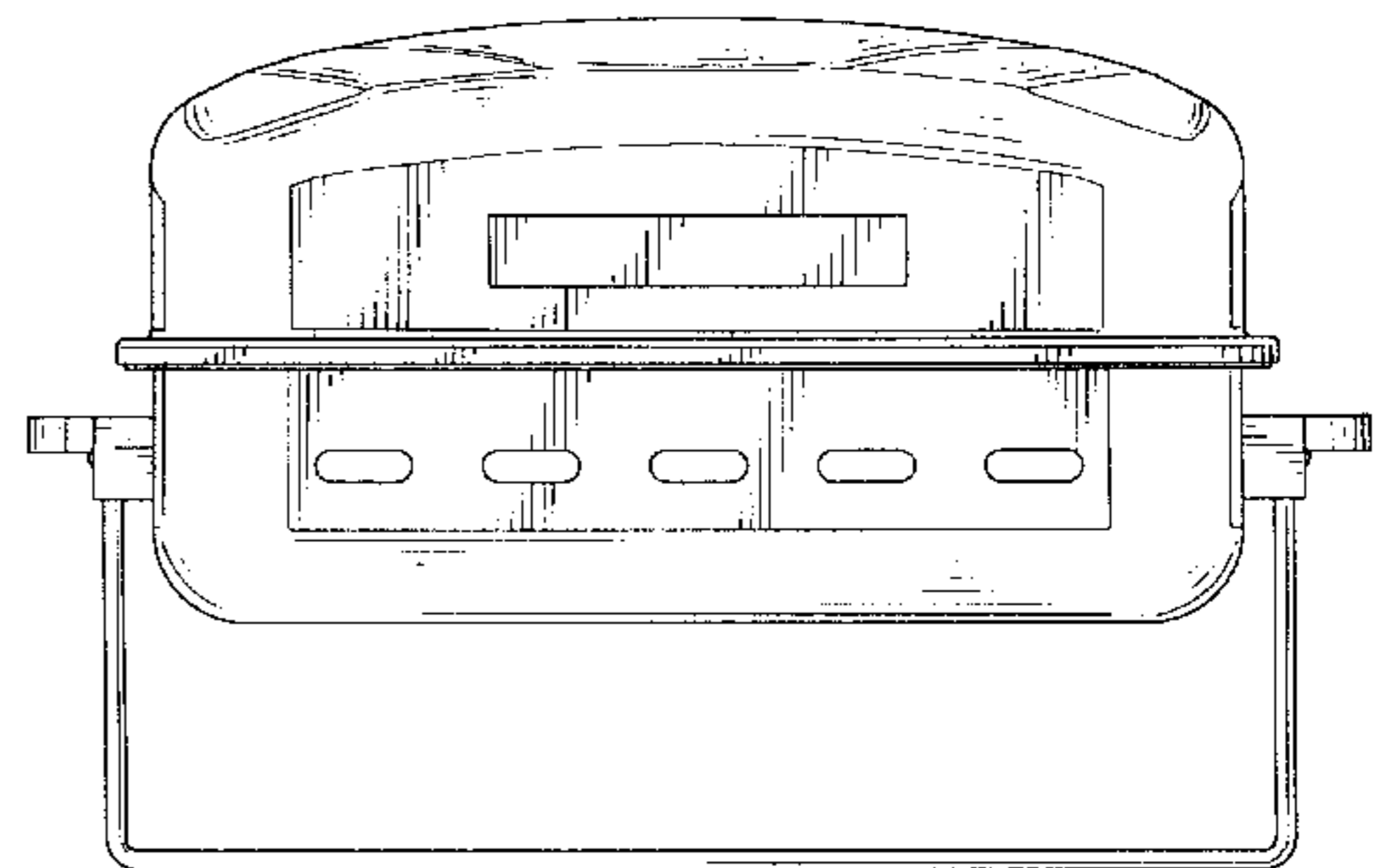
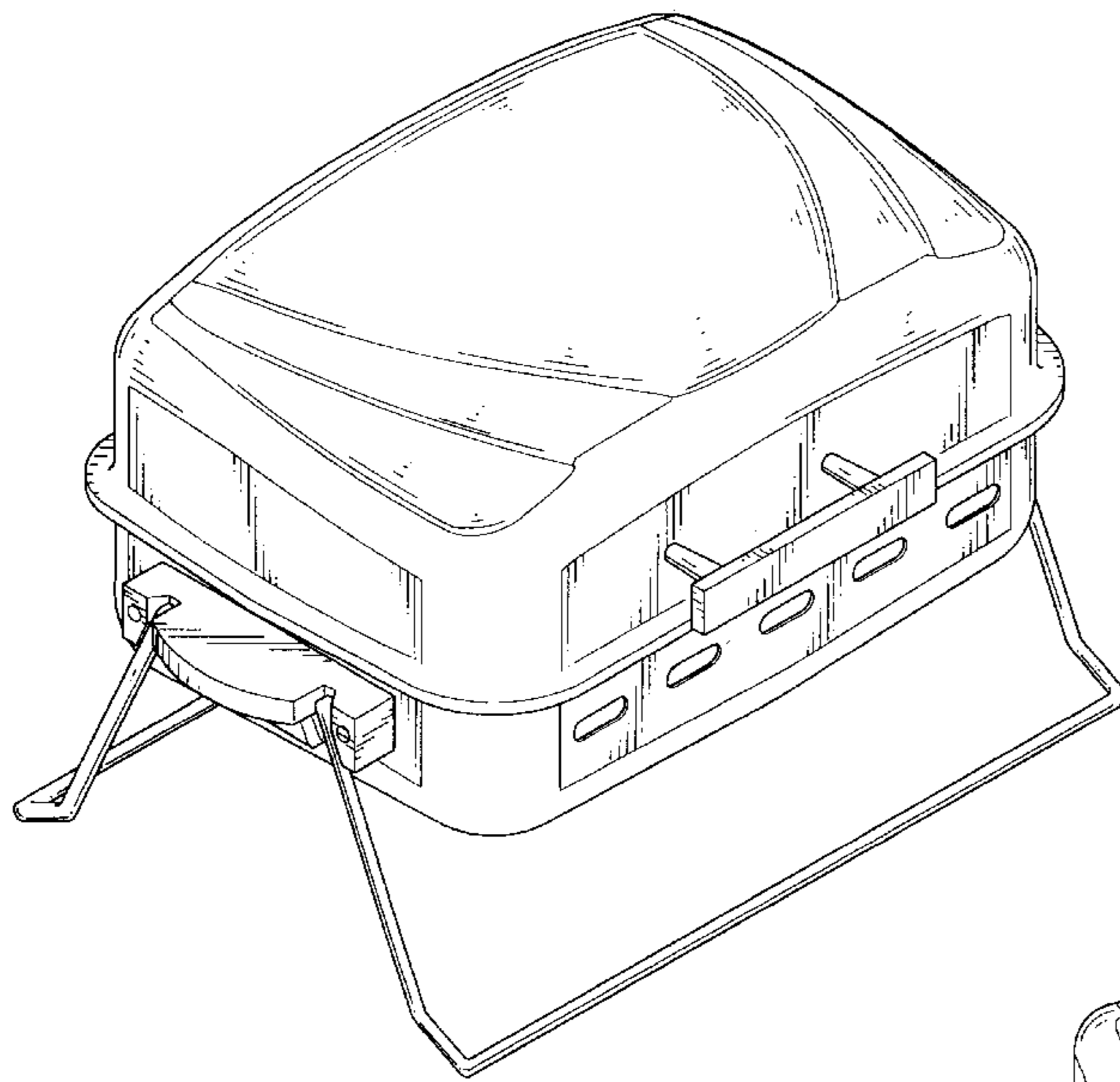
(57) **CLAIM**

The ornamental design for a roaster, as shown.

DESCRIPTION

FIG. 1 is a perspective view of a roaster showing my new design;
FIG. 2 is a front elevational view thereof;
FIG. 3 is a rear elevational view thereof;
FIG. 4 is a left side view thereof;
FIG. 5 is a right side view thereof;
FIG. 6 is a top plain view thereof; and,
FIG. 7 is a bottom plain view thereof.

1 Claim, 4 Drawing Sheets



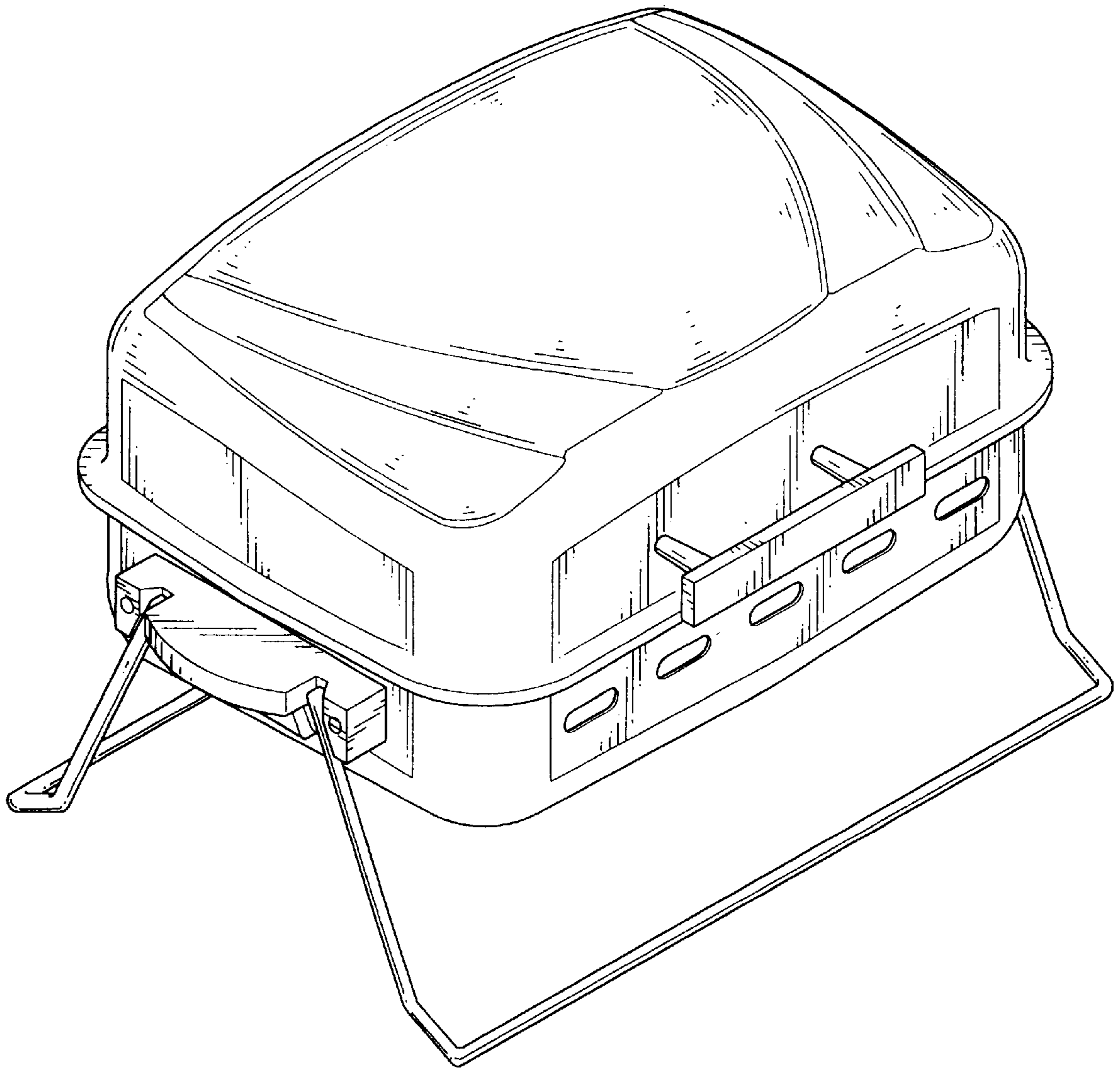


FIG. 1

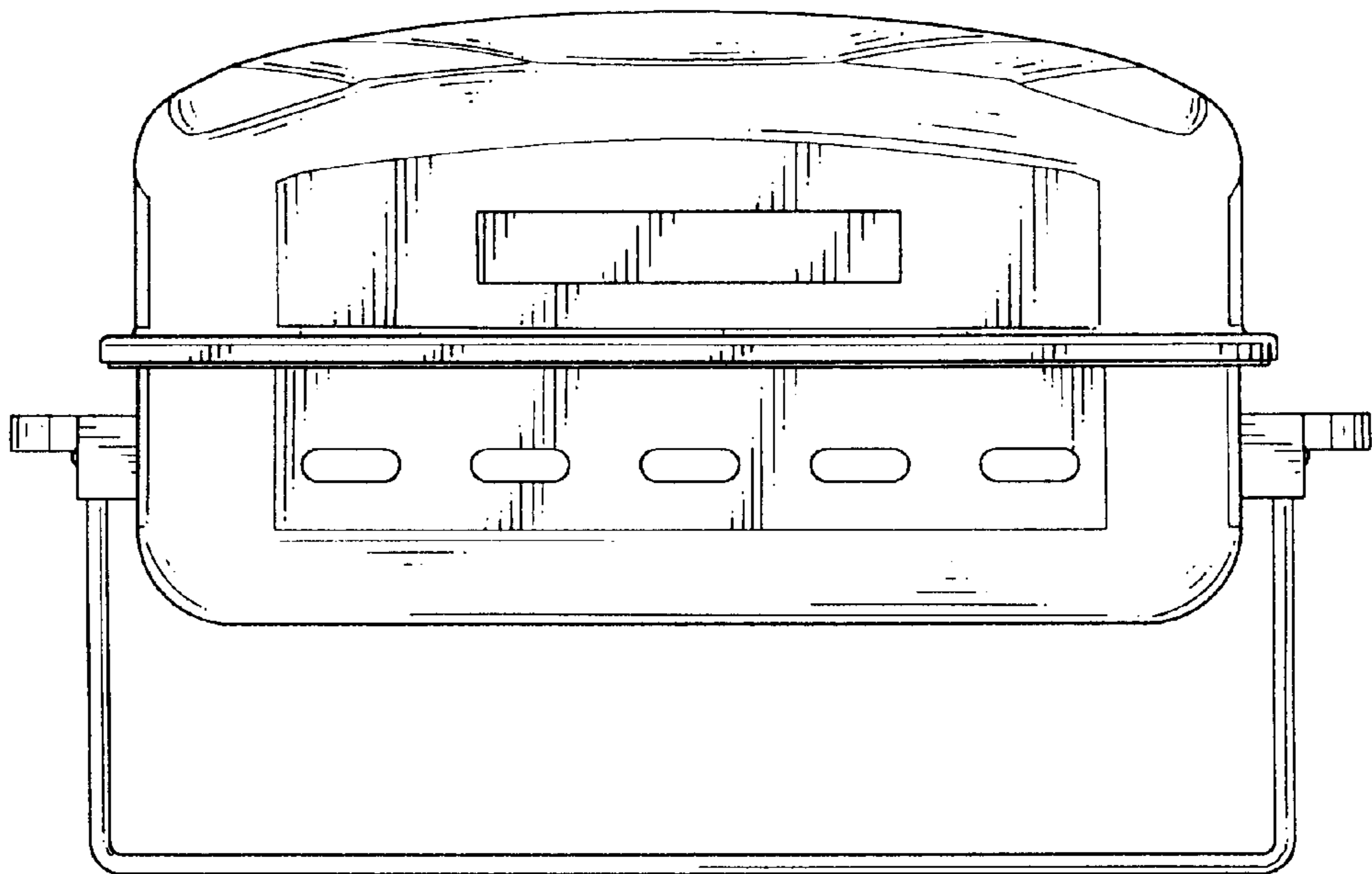


FIG. 2

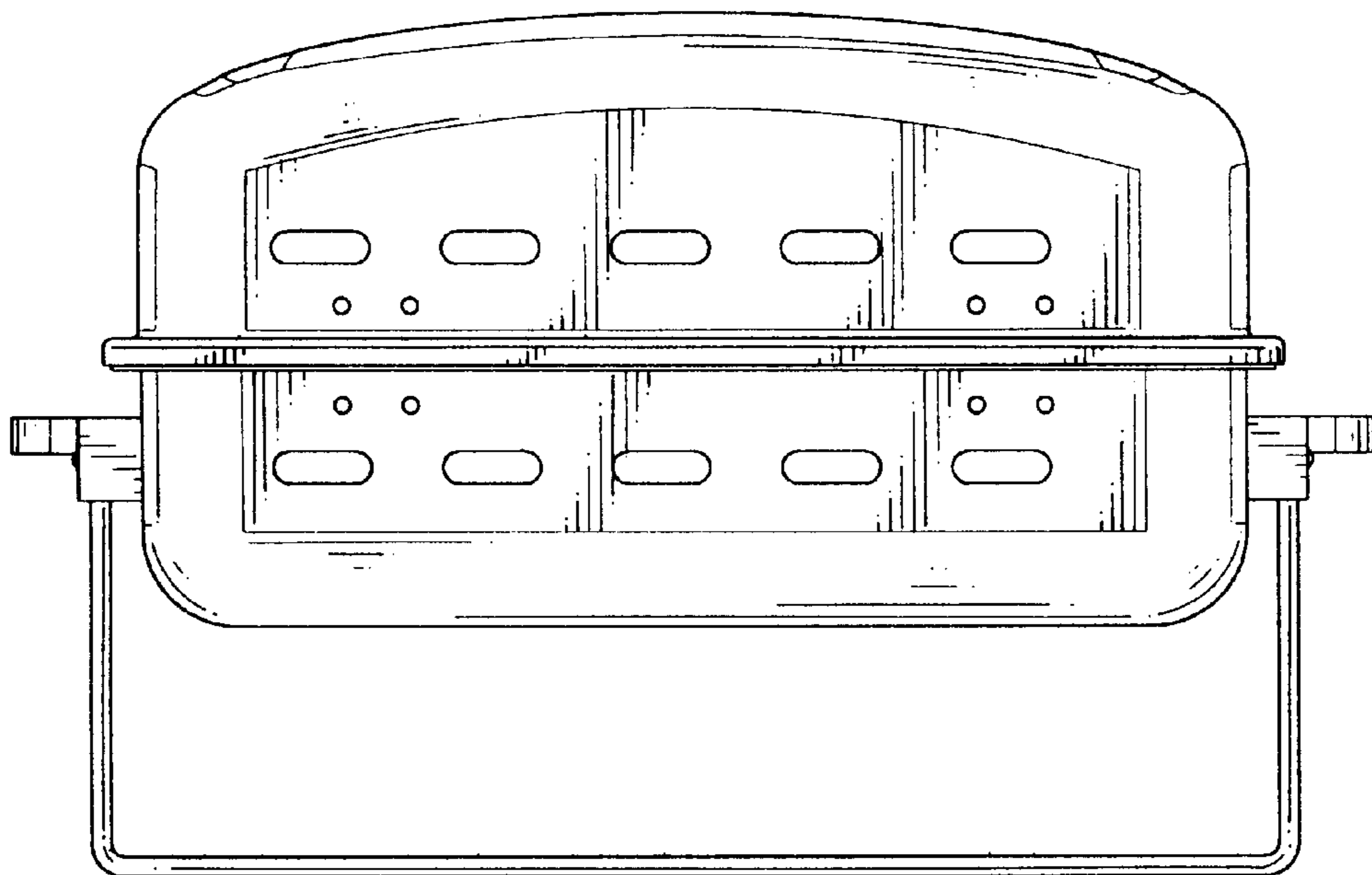


FIG. 3

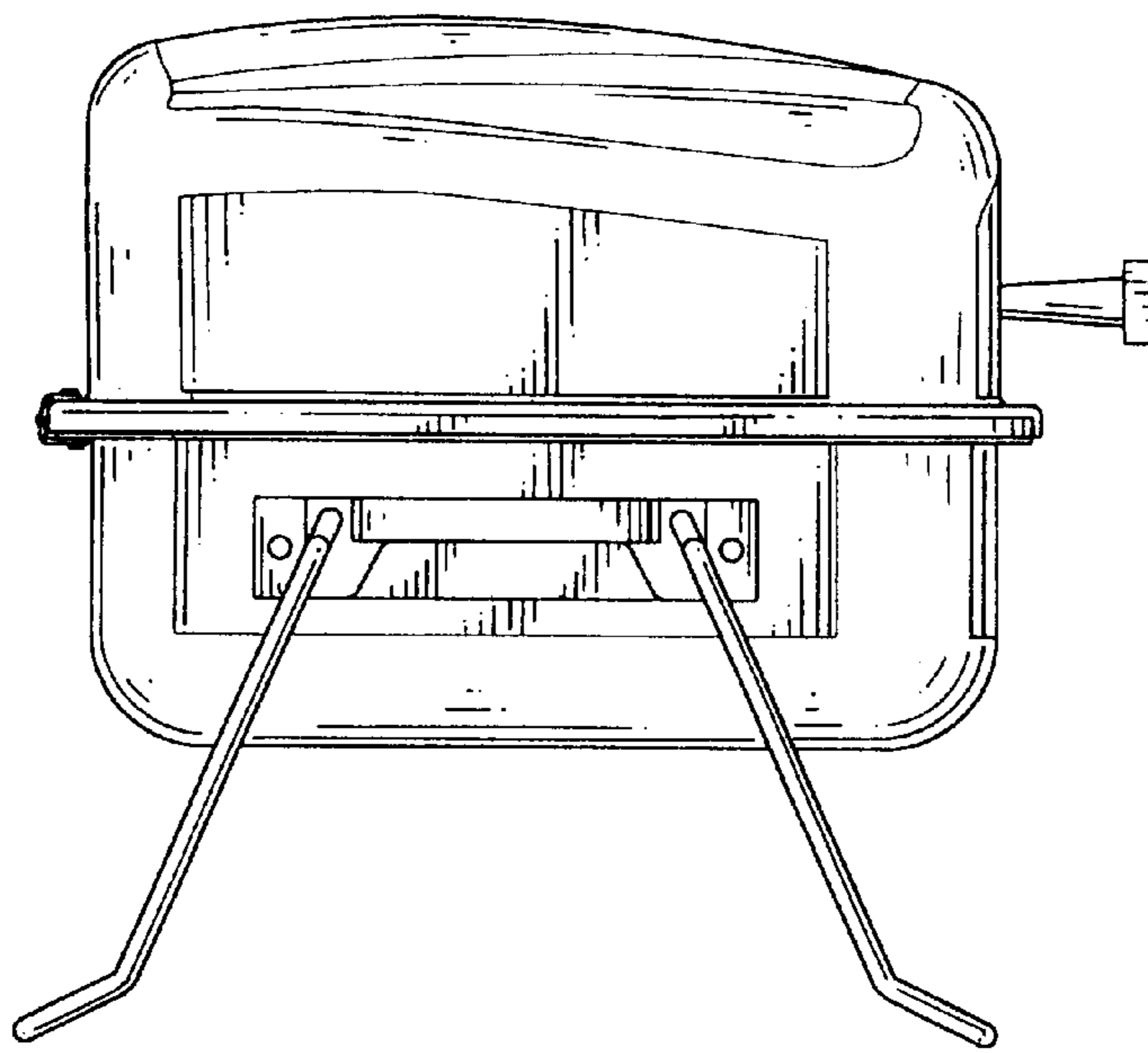


FIG. 4

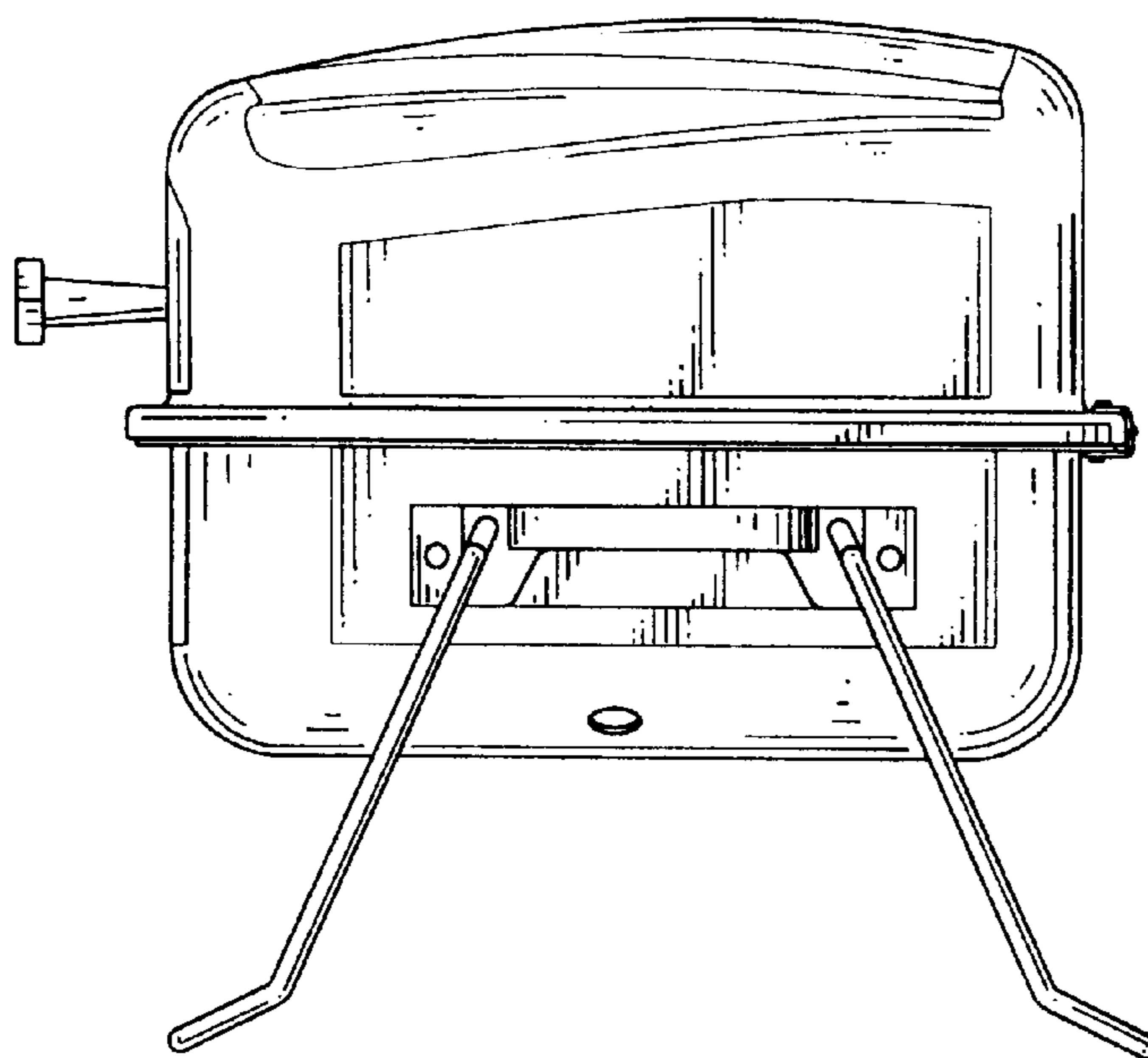


FIG. 5

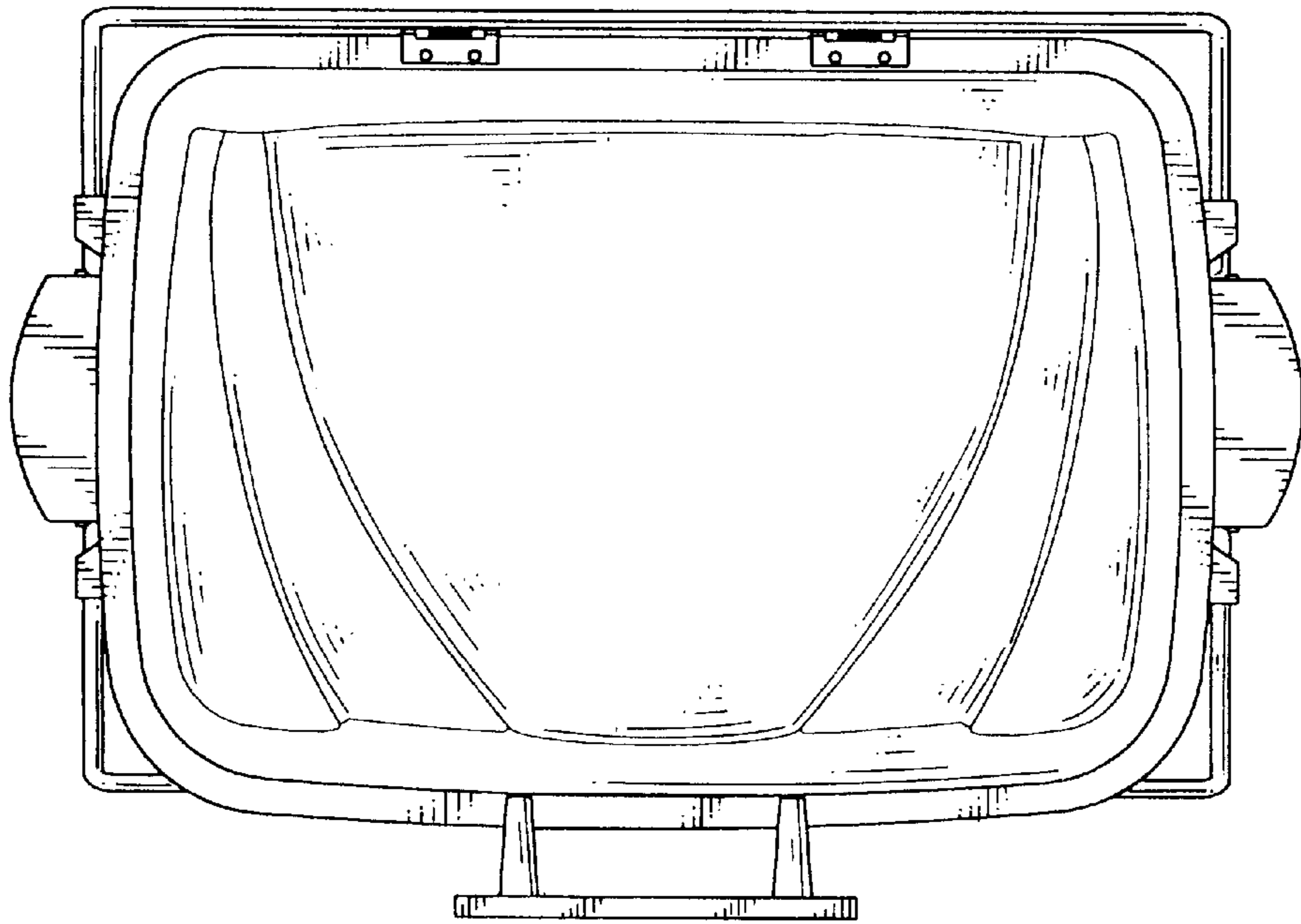


FIG. 6

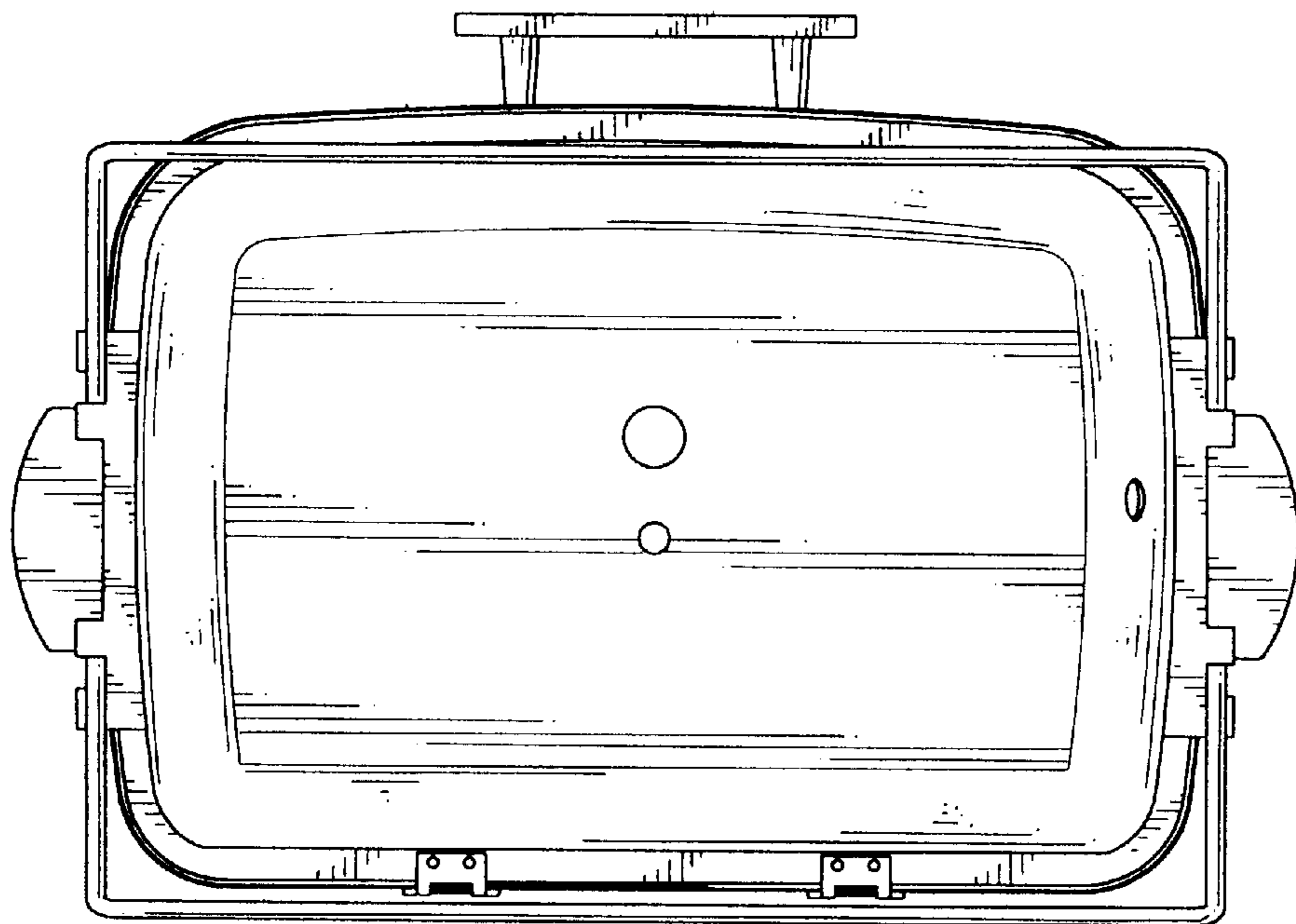


FIG. 7