



US00D455597S

(12) **United States Design Patent**
Lefroy-Brooks

(10) **Patent No.:** **US D455,597 S**

(45) **Date of Patent:** **** Apr. 16, 2002**

(54) **DECK MOUNT TALL TAP**

(76) Inventor: **Christopher Alan Lefroy-Brooks**, 1
Grimsdells Corner, Sycamore Road,
Amersham, Buckinghamshire HP6 5EL
(GB)

(**) Term: **14 Years**

(21) Appl. No.: **29/141,565**

(22) Filed: **May 9, 2001**

Related U.S. Application Data

(63) Continuation of application No. 29/130,668, filed on Oct. 6,
2000.

(30) **Foreign Application Priority Data**

Apr. 6, 2000 (GB) 2091986

(51) **LOC (7) Cl.** **07-01**

(52) **U.S. Cl.** **D7/313; D7/398; D7/306**

(58) **Field of Search** **D7/300, 313, 398,**
D7/397, 306, 307, 308; 222/207, 129.3,
129.2, 129.1, 105

(56) **References Cited**

U.S. PATENT DOCUMENTS

D137,115 S * 1/1944 Booth D9/398

D188,528 S * 8/1960 Markey, Jr. D7/313
3,355,068 A * 11/1967 Harland 222/30
D338,372 S * 8/1993 Geneste D7/398
D351,529 S * 10/1994 Scott, Jr. D7/398
D401,477 S * 11/1998 Martindale D7/590
D407,260 S * 3/1999 Martindale D7/306
D441,253 S * 5/2001 Chen D7/398

* cited by examiner

Primary Examiner—M. N. Pandozzi

(74) *Attorney, Agent, or Firm*—Ratner & Prestia

(57) **CLAIM**

The ornamental design for a deck mount tall tap, as shown
and described.

DESCRIPTION

FIG. 1 is a perspective view of a deck mount tall tap showing
my new design;

FIG. 2 is a plan view of a deck mount tall tap showing my
new design;

FIG. 3 is a side view of a deck mount tall tap showing my
new design; and,

FIG. 4 is a front view of a deck mount tall tap showing my
new design.

The features shown in broken lines are provided for illus-
trative purposes only and form no part of the claimed design.

1 Claim, 1 Drawing Sheet

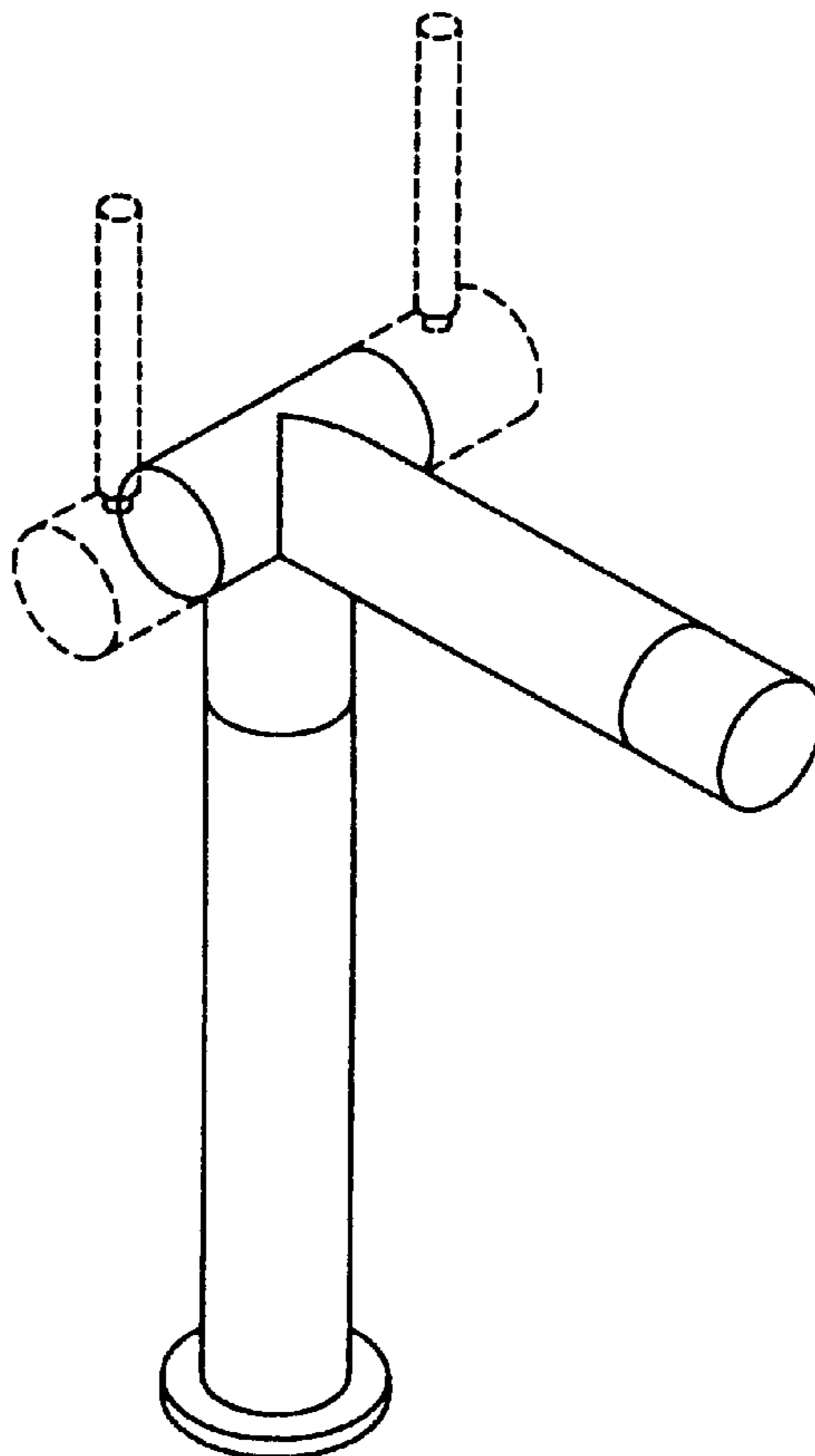


FIG. 1

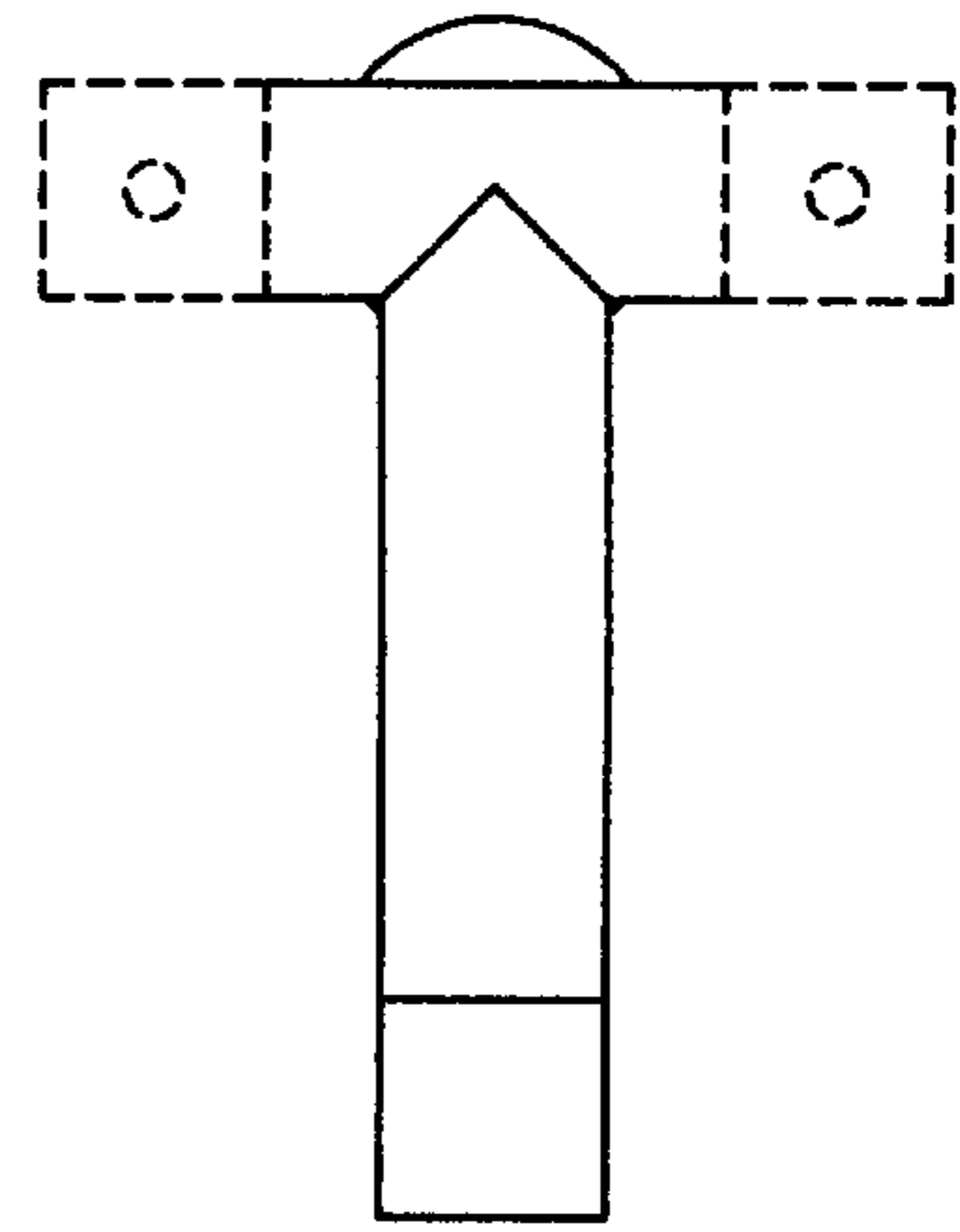
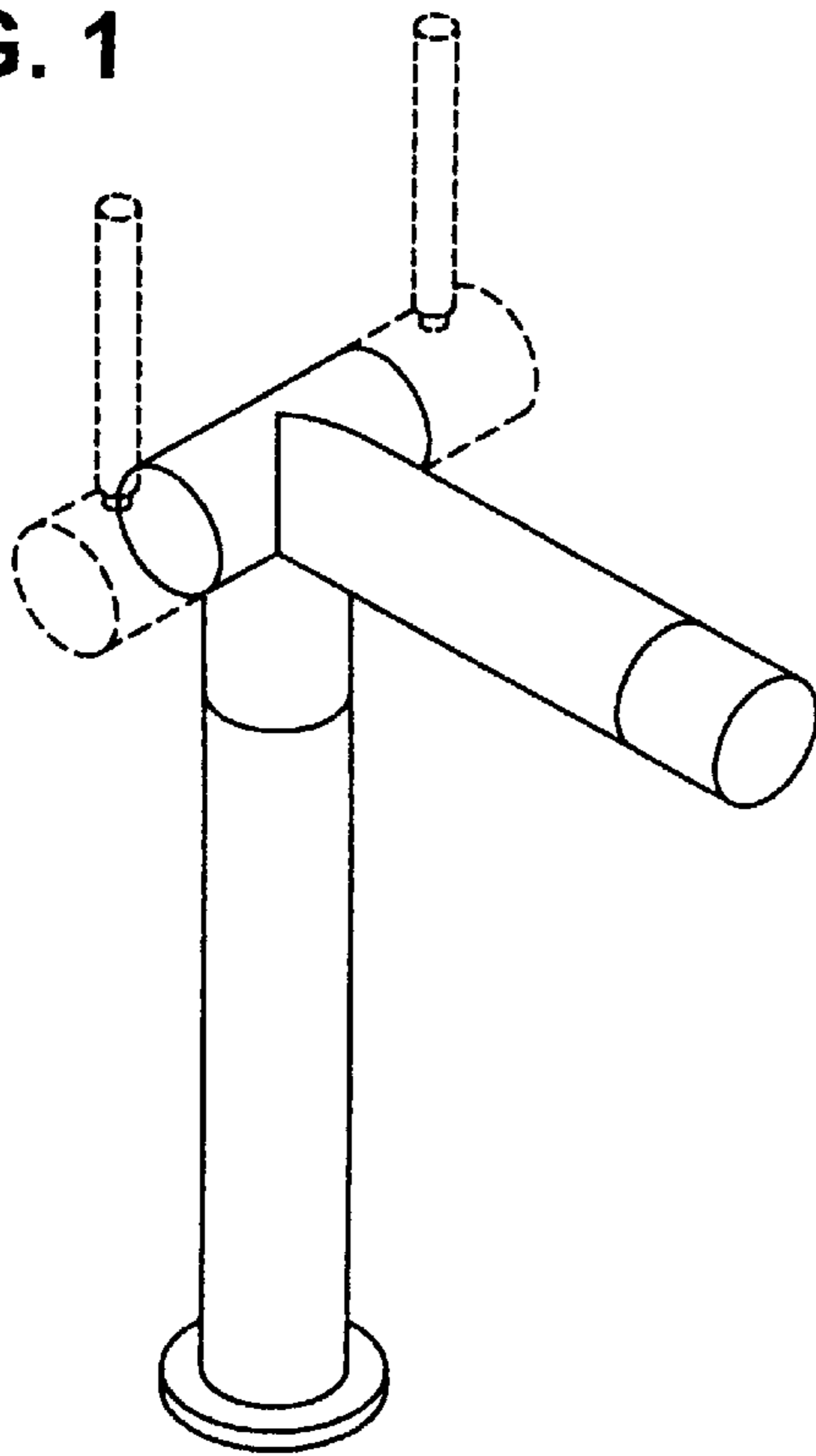


FIG. 2

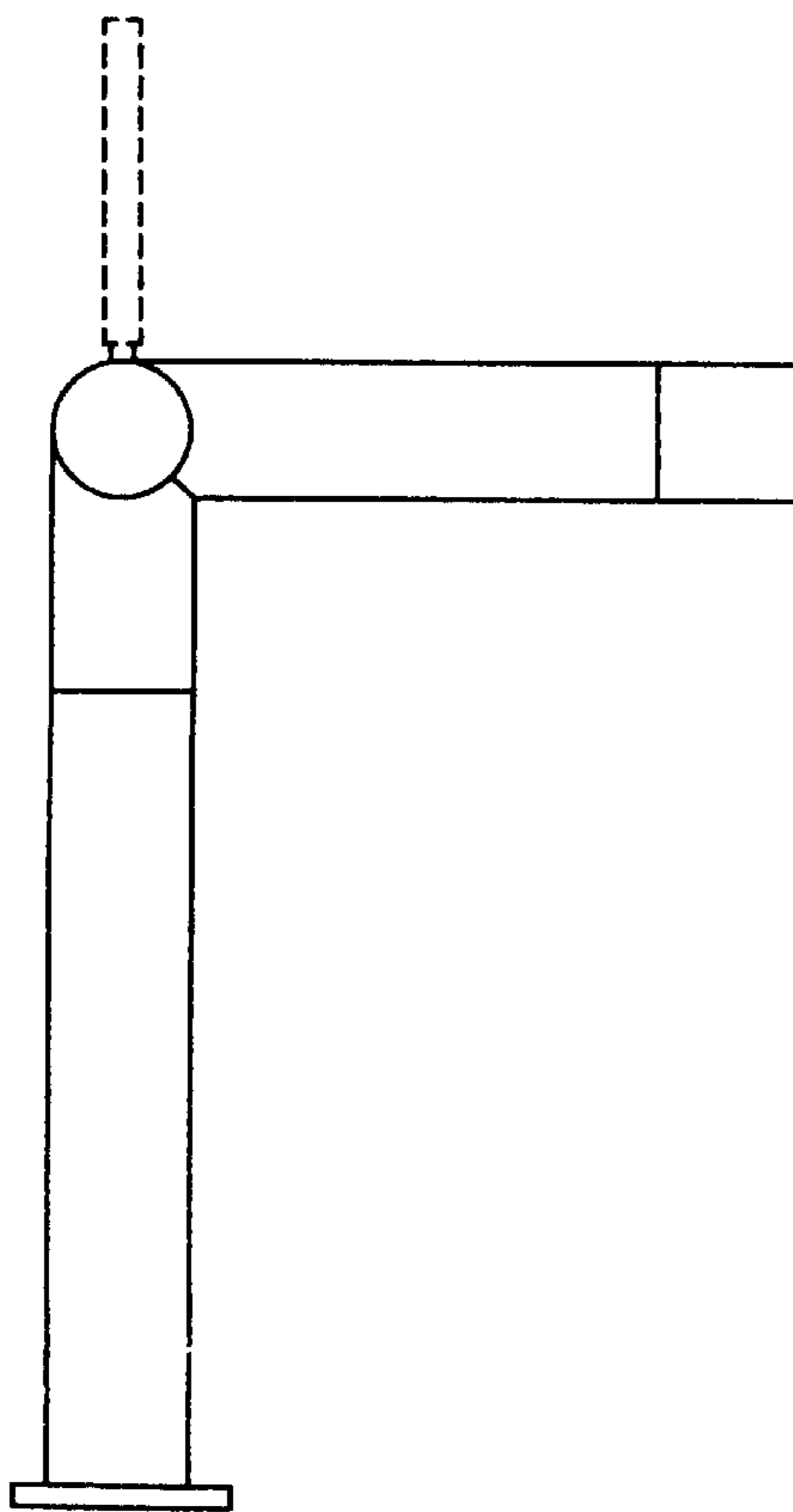


FIG. 3

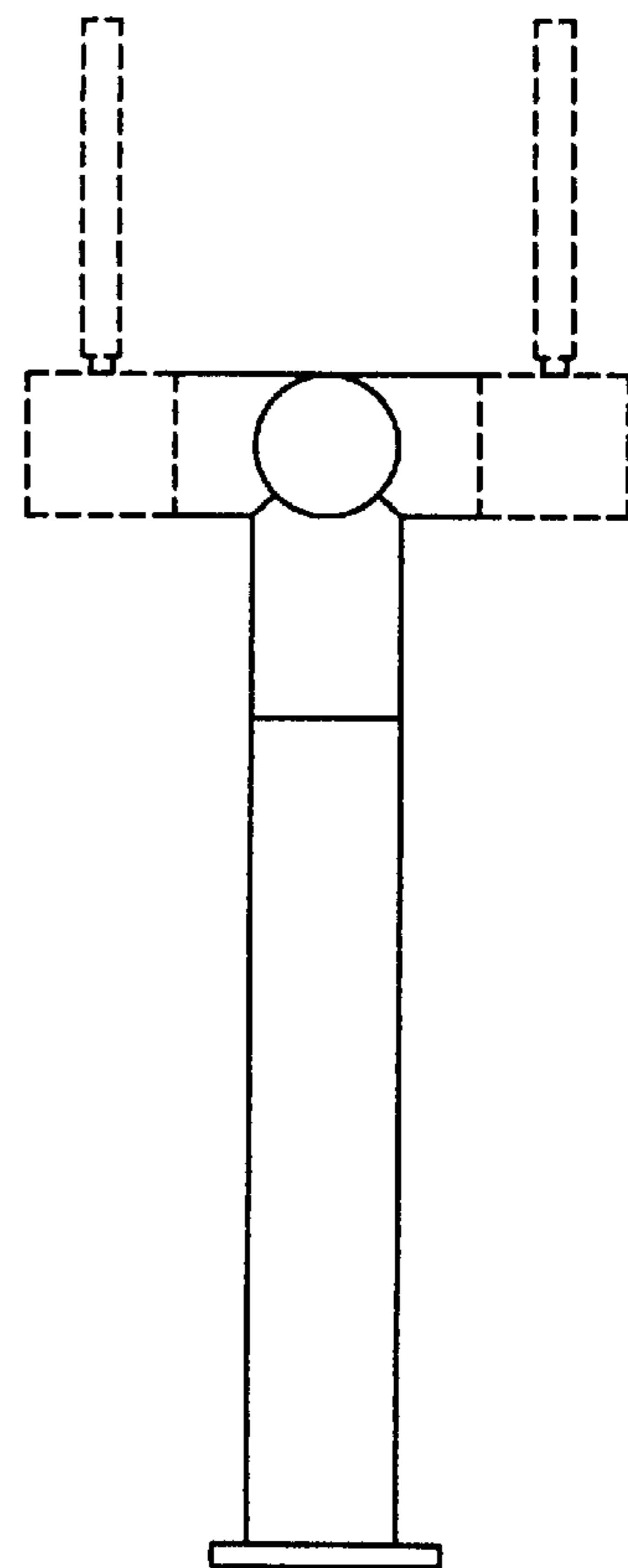


FIG. 4