



US00D455595S

(12) **United States Design Patent**
Ikeda et al.

(10) **Patent No.:** **US D455,595 S**

(45) **Date of Patent:** **** Apr. 16, 2002**

(54) **CONTAINER FOR DISC-SHAPED RECORDING MEDIUM**

(75) Inventors: **Setsuyo Ikeda**, Setagaya-ku;
Yamanaka Atsuko, Ohta-ku, both of
(JP)

(73) Assignee: **Kinyosha Printing Co., Ltd.**, Tokyo
(JP)

(**) Term: **14 Years**

(21) Appl. No.: **29/133,189**

(22) Filed: **Nov. 27, 2000**

(30) **Foreign Application Priority Data**

May 29, 2000 (JP) 2000-014258

(51) **LOC (7) Cl.** **06-04**

(52) **U.S. Cl.** **D6/632; D6/407; D6/634;**
D6/635

(58) **Field of Search** D3/201; D6/407,
D6/408, 626-635; D14/475, 478, 479, 496;
206/232, 307.1, 308.1, 308.3, 309, 311,
312, 313, 387.13, 396, 397, 398, 408, 459.1;
369/37, 75.2, 291; 379/355

(56) **References Cited**

U.S. PATENT DOCUMENTS

D347,320 S	*	5/1994	Corday	D6/634
5,685,425 A	*	11/1997	Choi	206/310
D392,500 S	*	3/1998	McEwan	D6/634
5,727,680 A	*	3/1998	Liu	206/308.1
5,788,068 A	*	8/1998	Fraser et al.	206/310
5,887,713 A	*	3/1999	Smith et al.	206/308.1
5,896,985 A	*	4/1999	Nakasuji	206/308.2
D411,071 S	*	6/1999	Cerda-Vicedo	D6/632
5,944,181 A	*	8/1999	Lau	206/308.1
D414,646 S	*	10/1999	Ouguergouz	D6/634
5,960,949 A	*	10/1999	Wynalda, Jr.	206/307.1
D420,240 S	*	2/2000	Sorenson et al.	D6/632

D426,721 S	*	6/2000	Benden, Jr. et al.	D6/407
6,116,417 A	*	9/2000	Yoshinaga et al.	206/310
6,123,192 A	*	9/2000	Rufo, Jr.	206/310
6,155,417 A	*	12/2000	Flores, Jr. et al.	206/308.1
D437,171 S	*	2/2001	Cuadrado-Serena	D6/632
D437,520 S	*	2/2001	Choi	D6/632
6,227,362 B1	*	5/2001	Cheung	206/308.1
6,237,763 B1	*	5/2001	Lau	206/308.1
6,241,089 B1	*	6/2001	Grobecker	206/310

* cited by examiner

Primary Examiner—Celia Murphy

(74) *Attorney, Agent, or Firm*—Wenderoth, Lind & Ponack,
L.L.P.

(57) **CLAIM**

The ornamental design for a container for disc-shaped recording medium, as shown and described.

DESCRIPTION

FIG. 1 is a front elevational view of a container for disc-shaped recording medium showing our new design;
 FIG. 2 is a rear elevational view of the container;
 FIG. 3 is a top plan view of the container;
 FIG. 4 is a bottom plan view of the container;
 FIG. 5 is a right side elevational view of the container;
 FIG. 6 is a right side elevational view of the container;
 FIG. 7 is a front elevational view of the container in its open state;
 FIG. 8 is a cross-sectional view taken on line VIII—VIII in FIG. 7;
 FIG. 9 is a cross-sectional view taken on line IX—IX in FIG. 7;
 FIG. 10 is a bottom and right perspective view of the container; and,
 FIG. 11 is a bottom and right perspective view of the container in use. The broken lines showing a compact disc, in FIG. 11, illustrate a feature that forms no part of the claimed design.

1 Claim, 8 Drawing Sheets

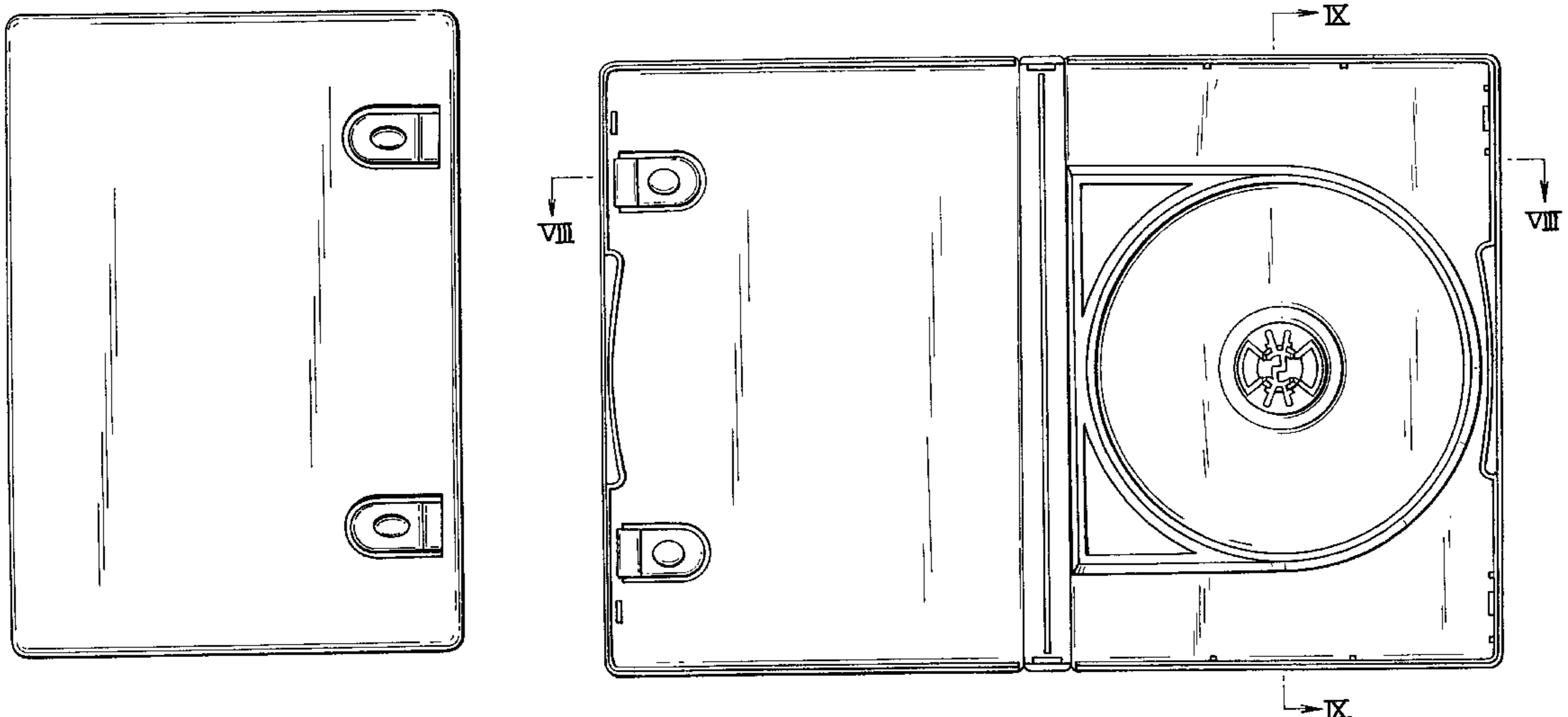


FIG. 1

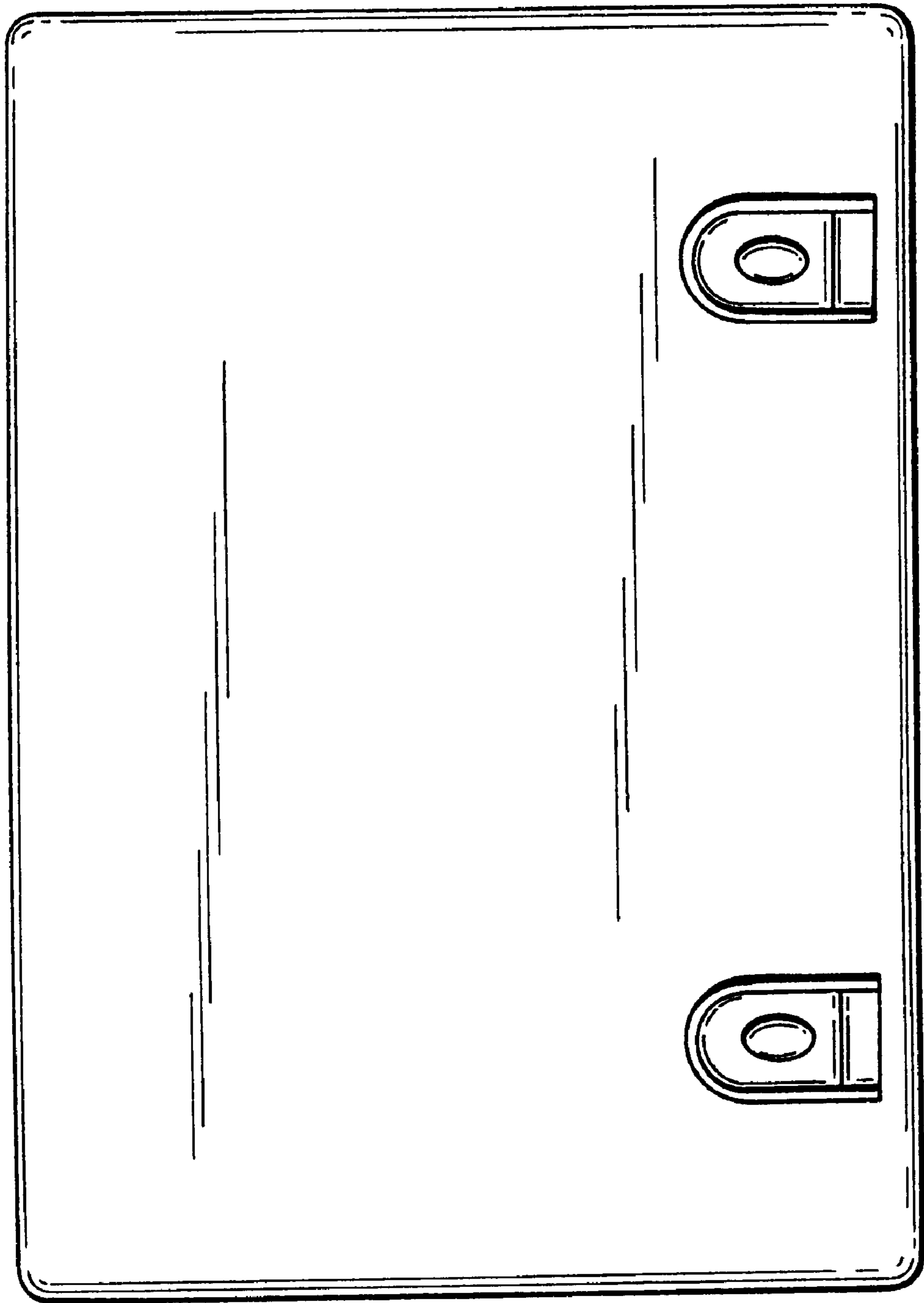


FIG. 2

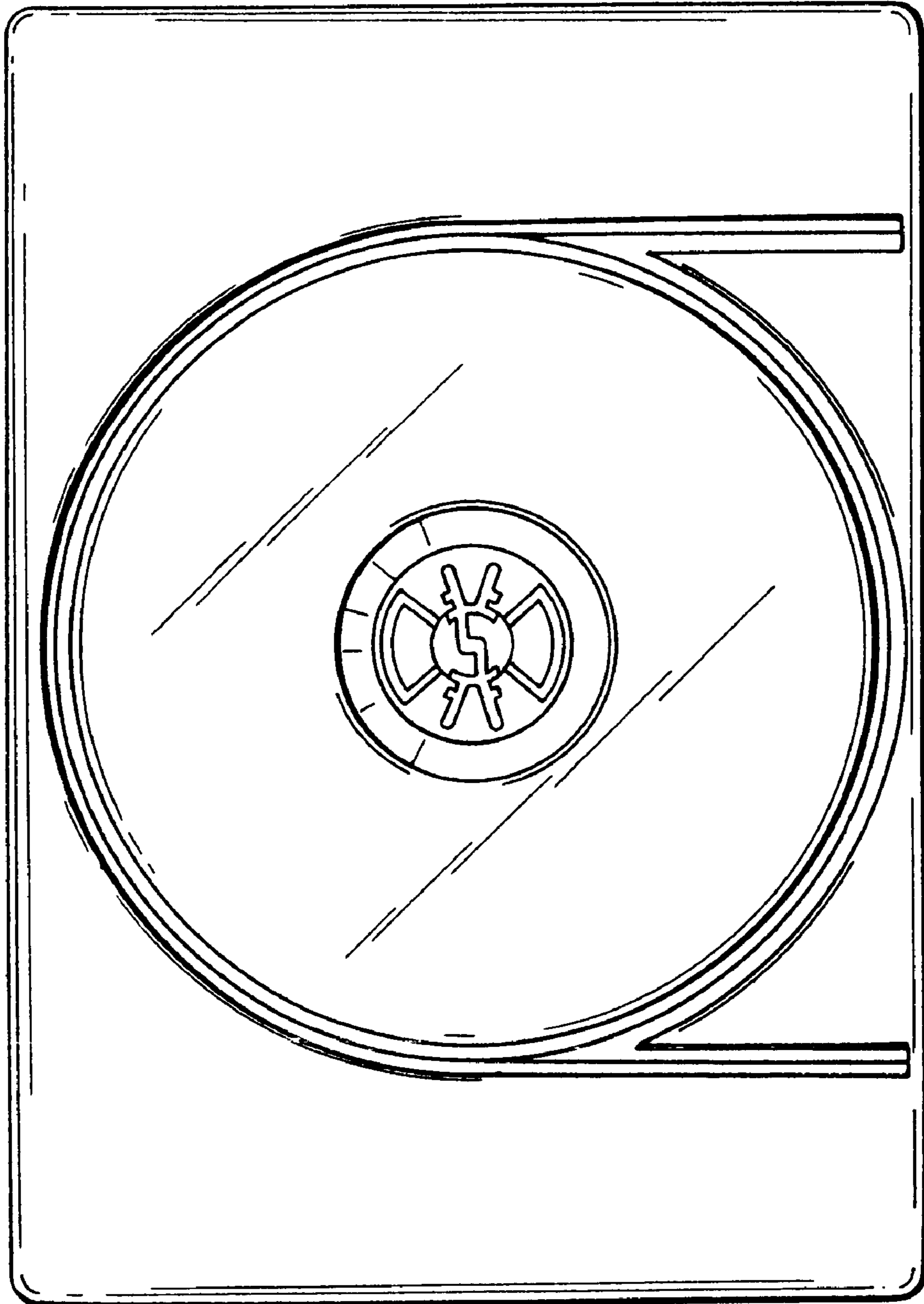


FIG. 3

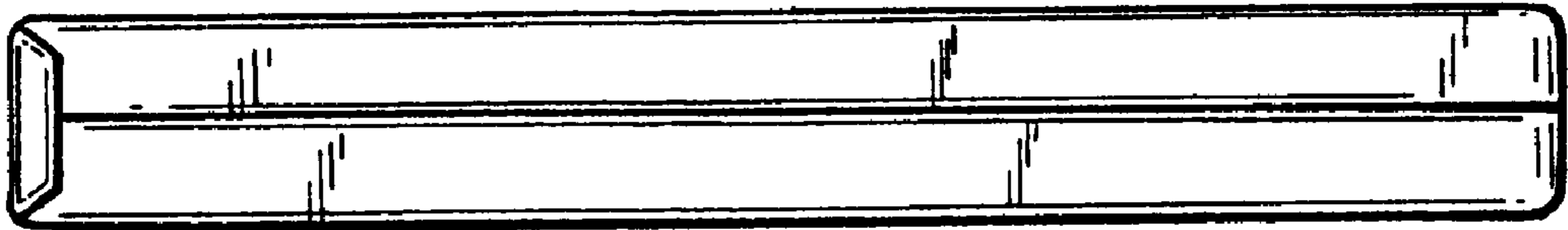


FIG. 4



FIG.5



FIG.6

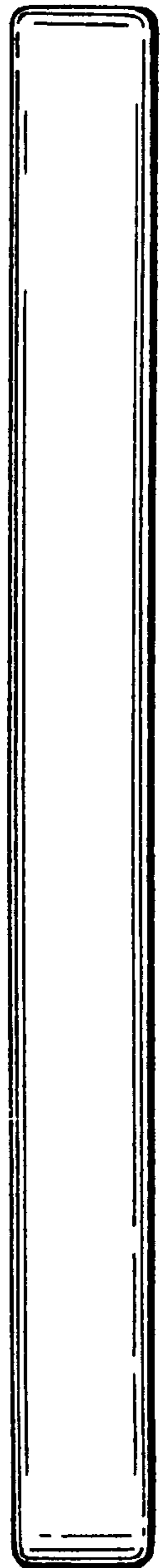


FIG. 7

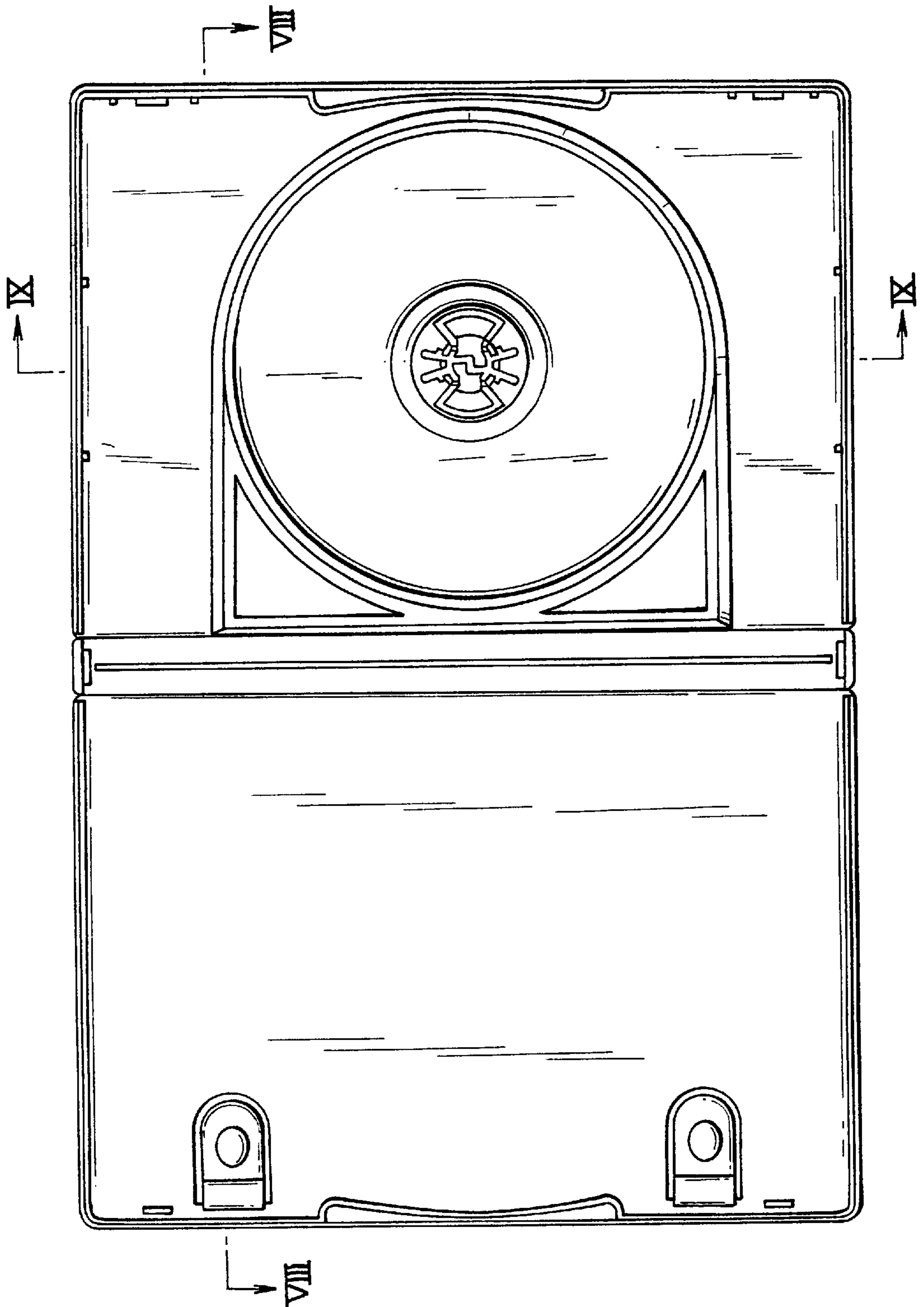
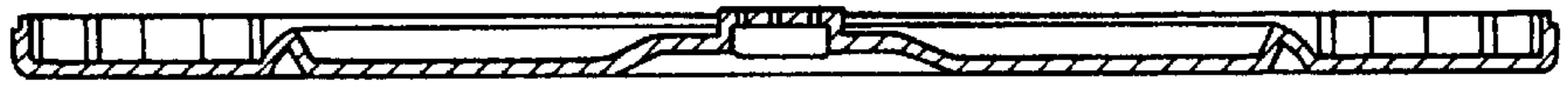


FIG. 8



FIG. 9



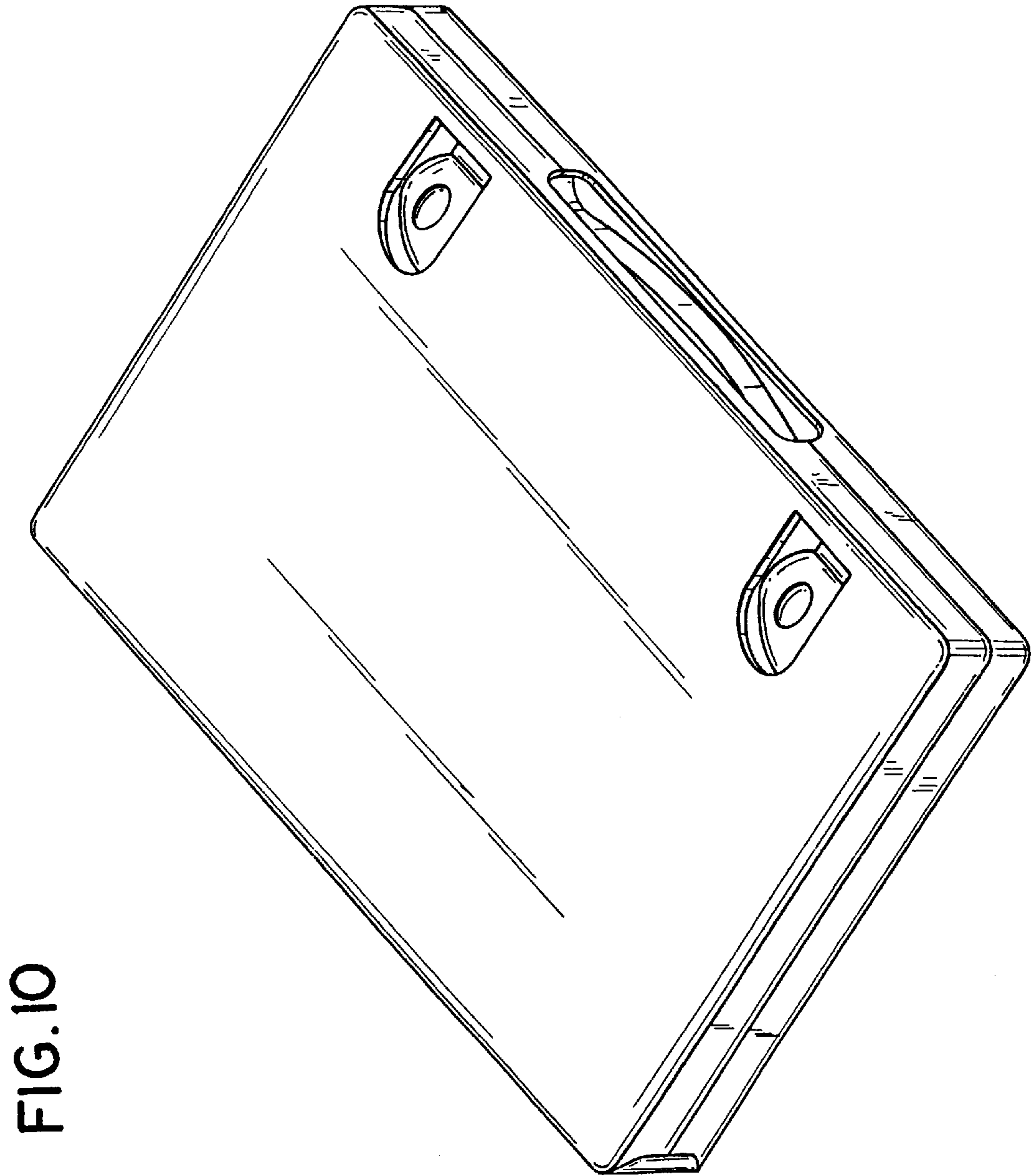


FIG. 10

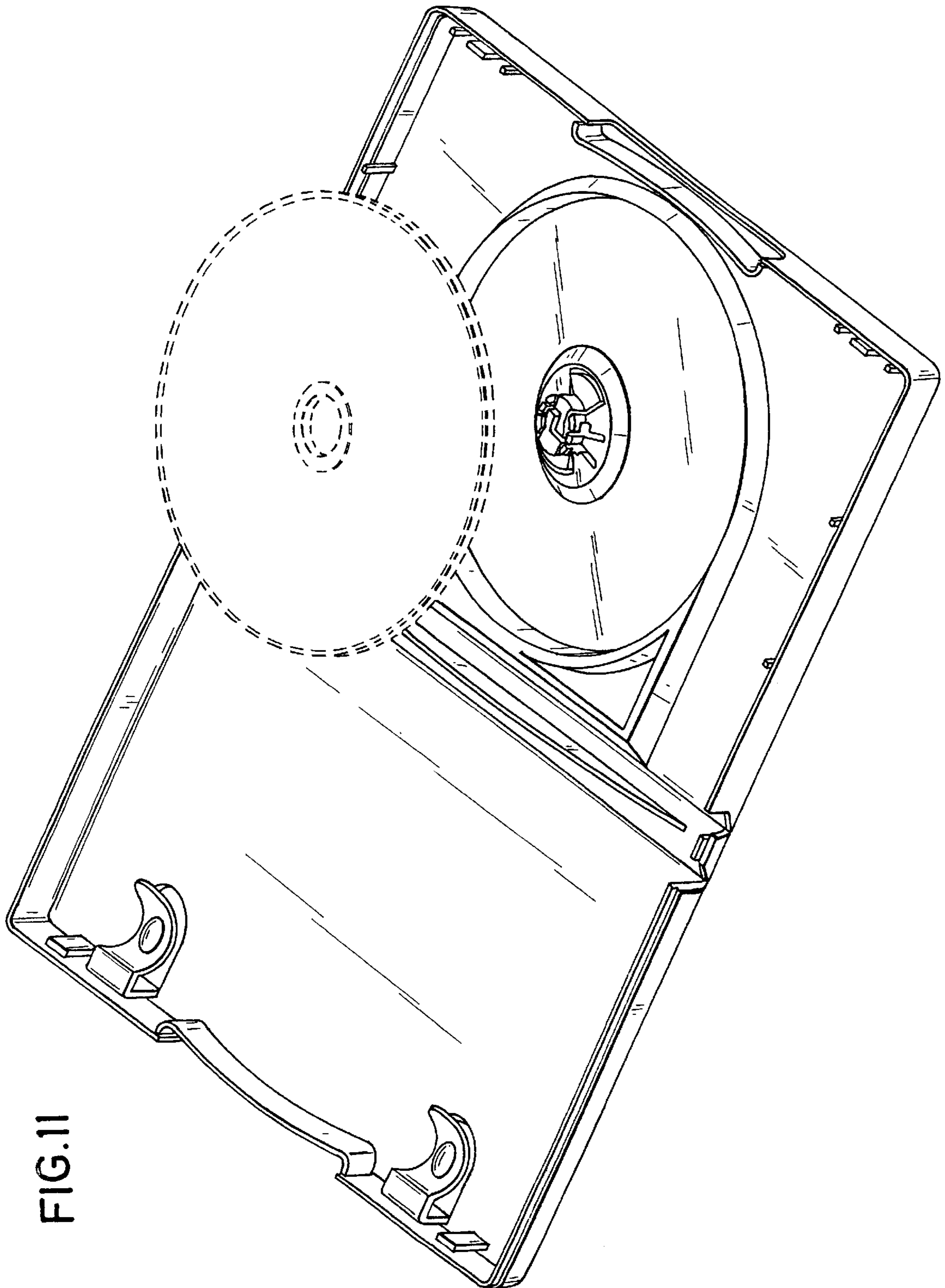


FIG.11