



US00D455594S

(12) **United States Design Patent**
Gratz

(10) **Patent No.:** **US D455,594 S**

(45) **Date of Patent:** **** Apr. 16, 2002**

(54) **MATTRESS PROTECTOR**

(75) Inventor: **Jeffrey J. Gratz**, Hartland, WI (US)

(73) Assignee: **Fibreform Containers, Inc.**,
Germantown, WI (US)

(**) Term: **14 Years**

(21) Appl. No.: **29/135,504**

(22) Filed: **Jan. 12, 2001**

(51) **LOC (7) Cl.** **06-06**

(52) **U.S. Cl.** **D6/606**

(58) **Field of Search** D6/491, 605, 606;
D8/403; 5/690, 663, 688; 248/345.1

(56) **References Cited**

U.S. PATENT DOCUMENTS

5,411,621 A	*	5/1995	Johenning	156/242
D385,179 S	*	10/1997	Brandes	D8/403
D394,603 S	*	5/1998	Brandes	D8/403

* cited by examiner

Primary Examiner—Janice E. Seeger

(74) *Attorney, Agent, or Firm*—Boyle Fredrickson
Newholm Stein & Gratz S.C.

(57) **CLAIM**

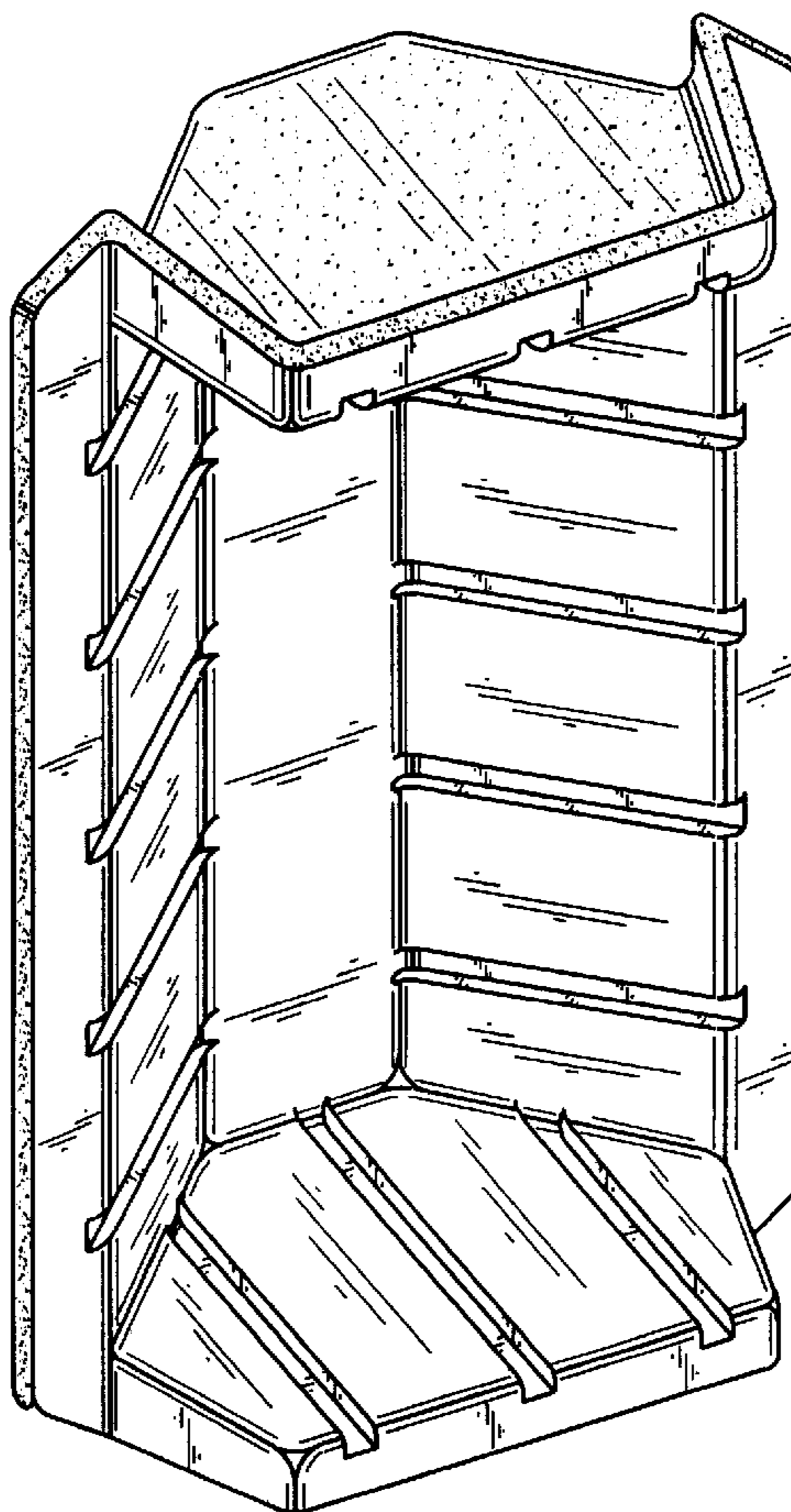
The ornamental design for a mattress protector, as shown and described.

DESCRIPTION

FIG. 1 is an isometric view of a mattress protector in accordance with the present invention;
 FIG. 2 is an end view of the mattress protector of FIG. 1;
 FIG. 3 is a side elevational view of the mattress protector of FIG. 1;
 FIG. 4 is a top plan view of the mattress protector of FIG. 1;
 FIG. 5 is a bottom plan view of the mattress protector of FIG. 1;
 FIG. 6 is a cross-sectional view taken along line 6—6 of FIG. 4; and,
 FIG. 7 is a cross-sectional view taken along line 7—7 of FIG. 4.

The broken lines are for environmental purposes only and form no part of the claimed design.

1 Claim, 3 Drawing Sheets



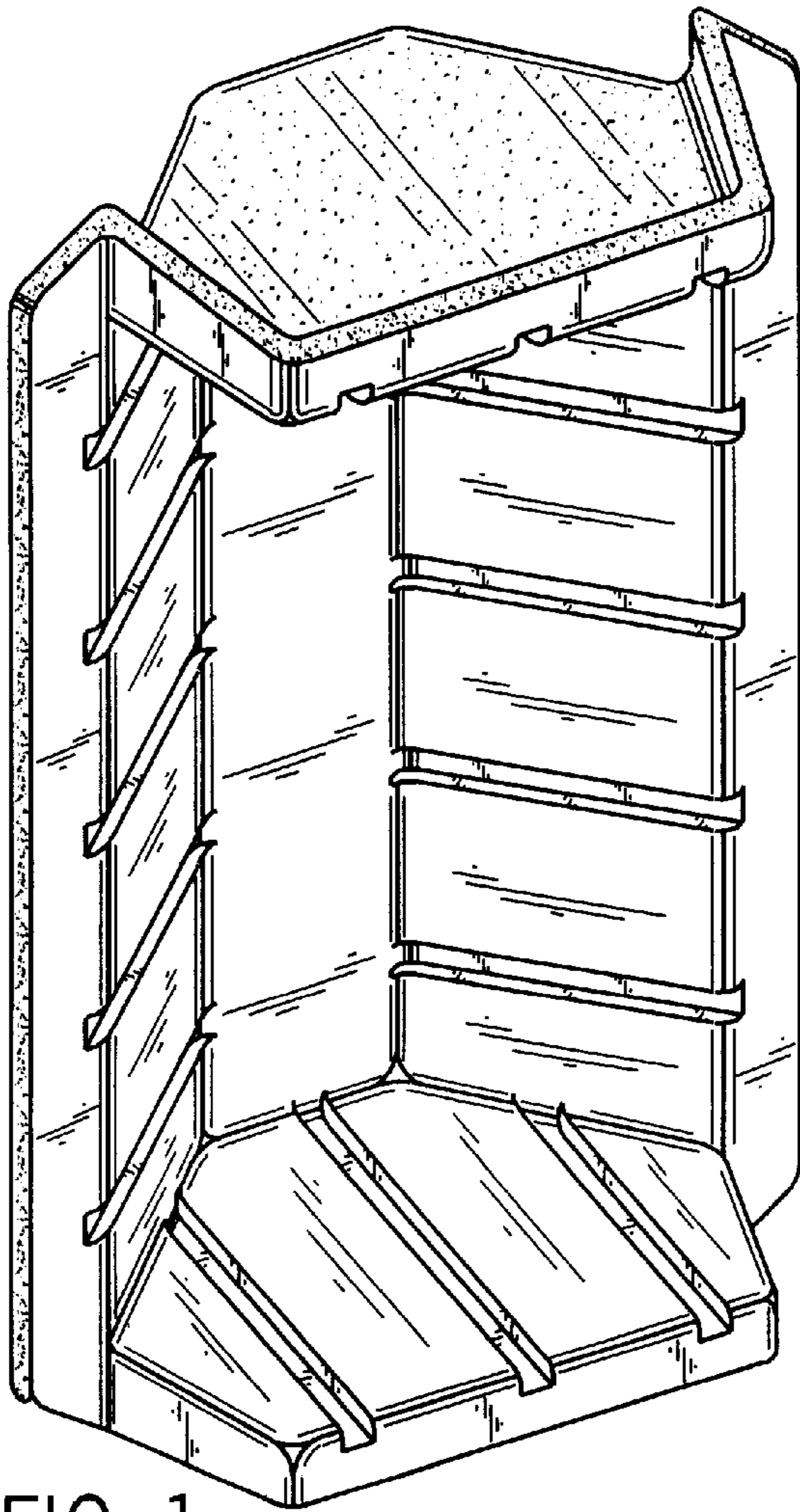


FIG. 1

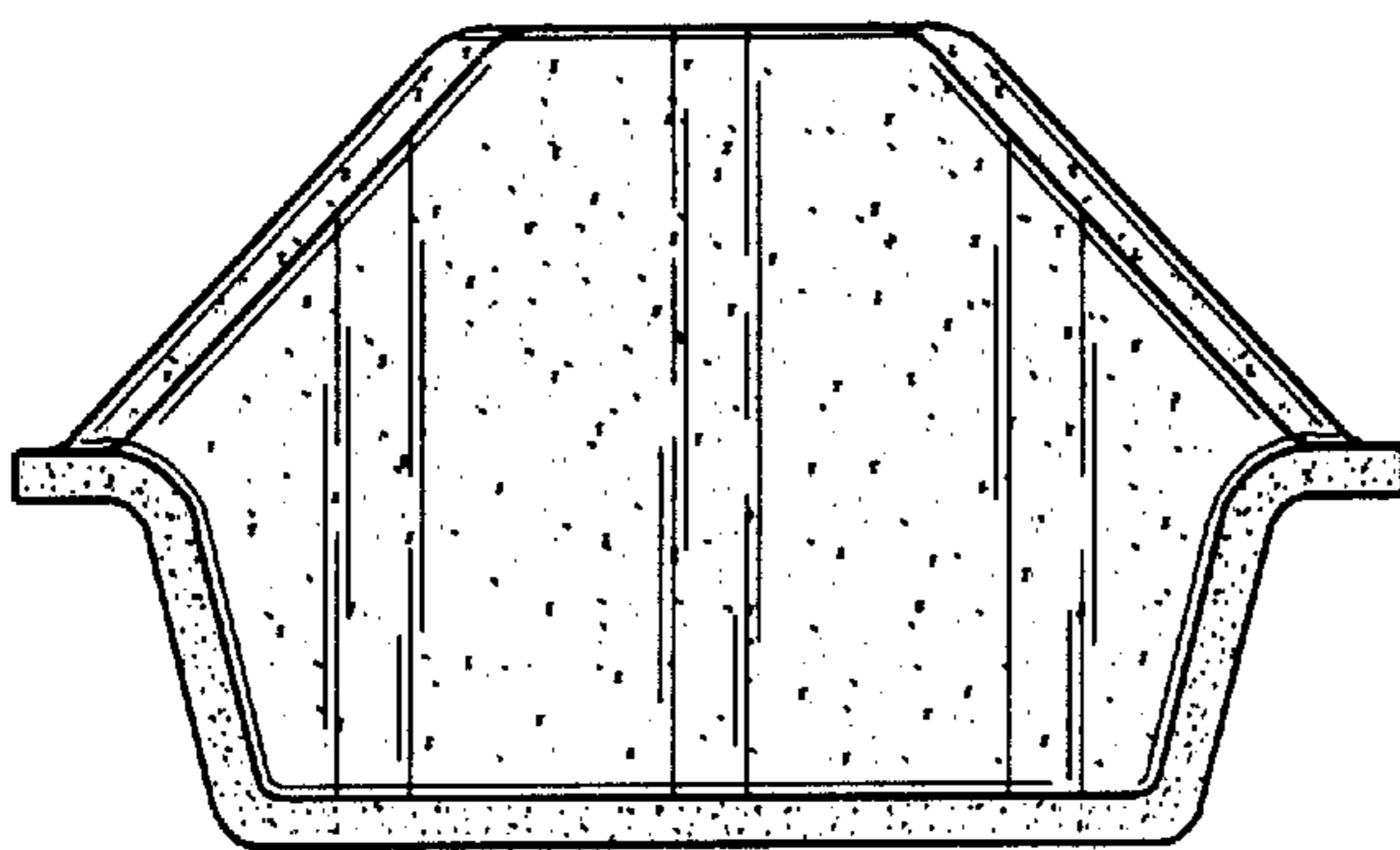


FIG. 2

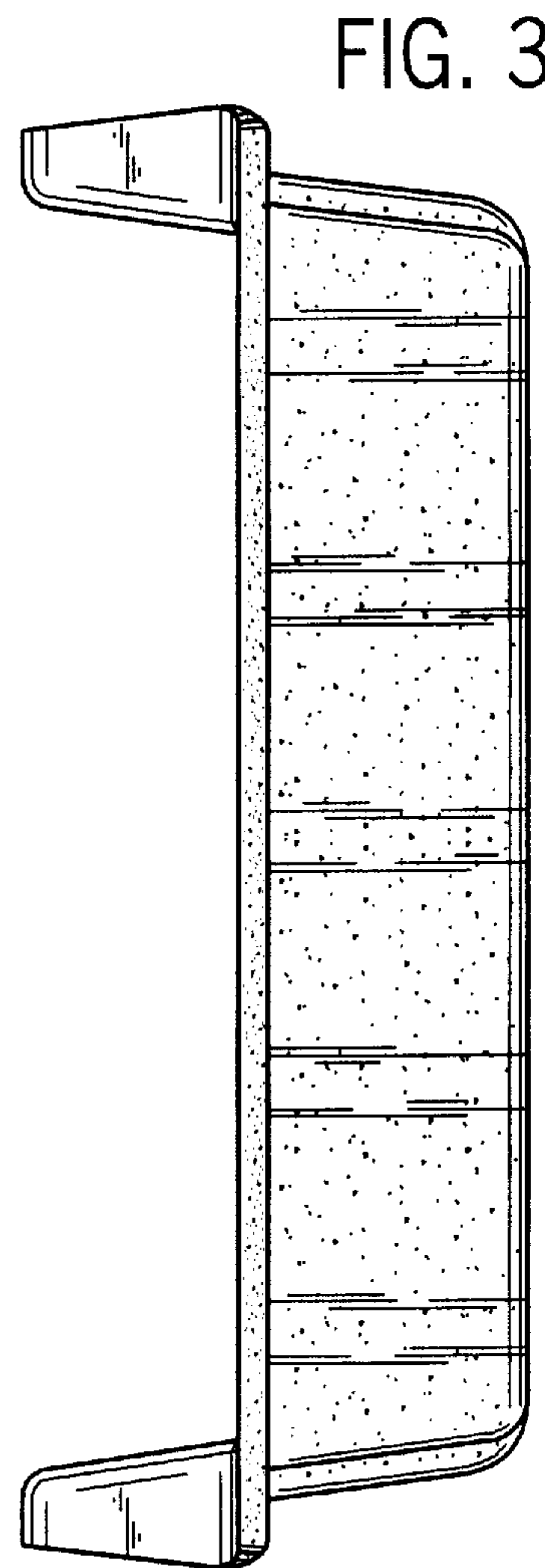


FIG. 3

FIG. 5

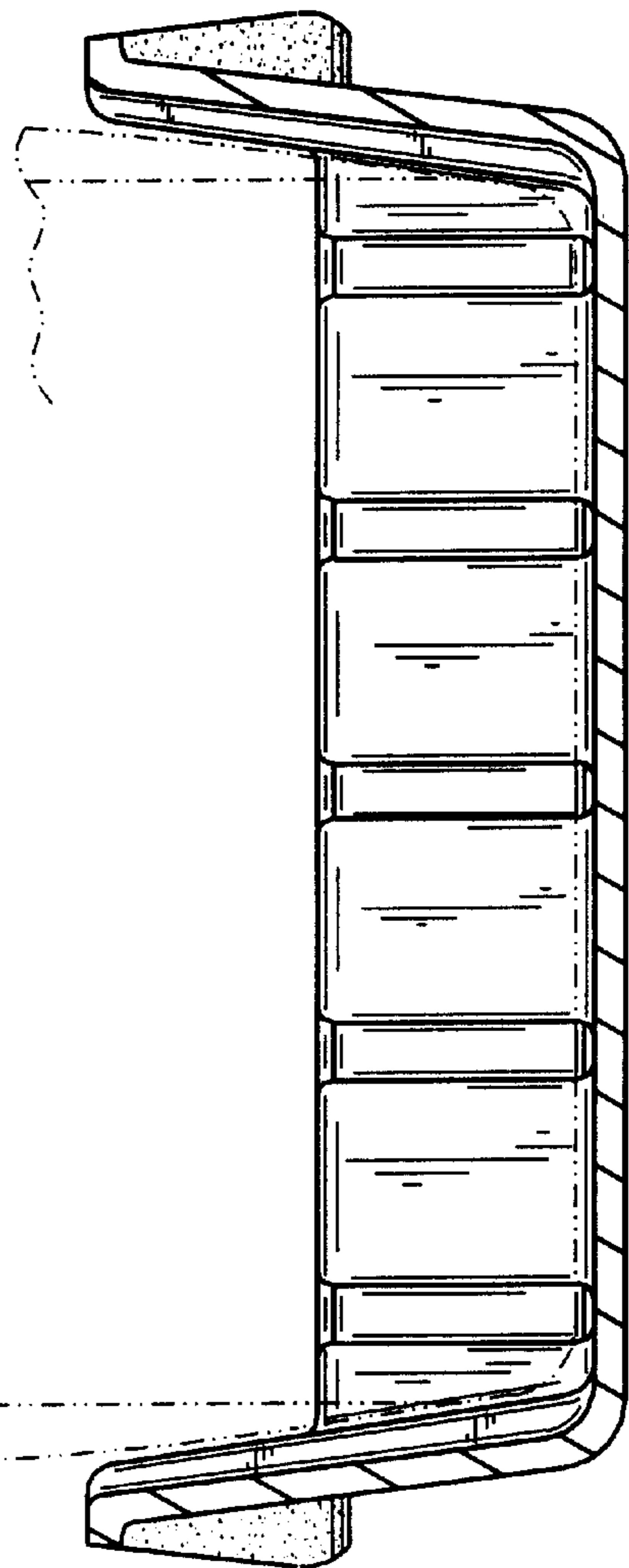
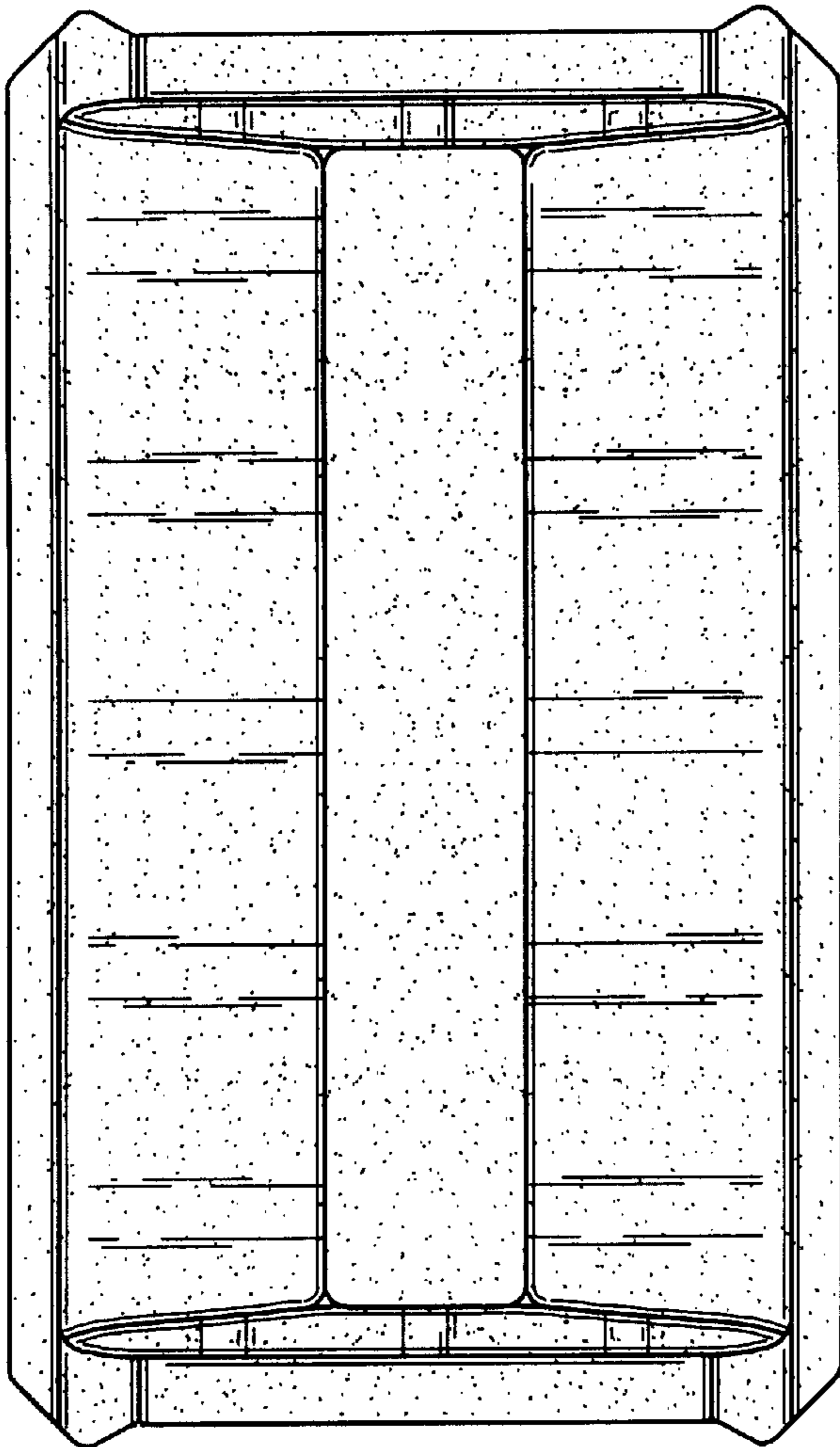


FIG. 7

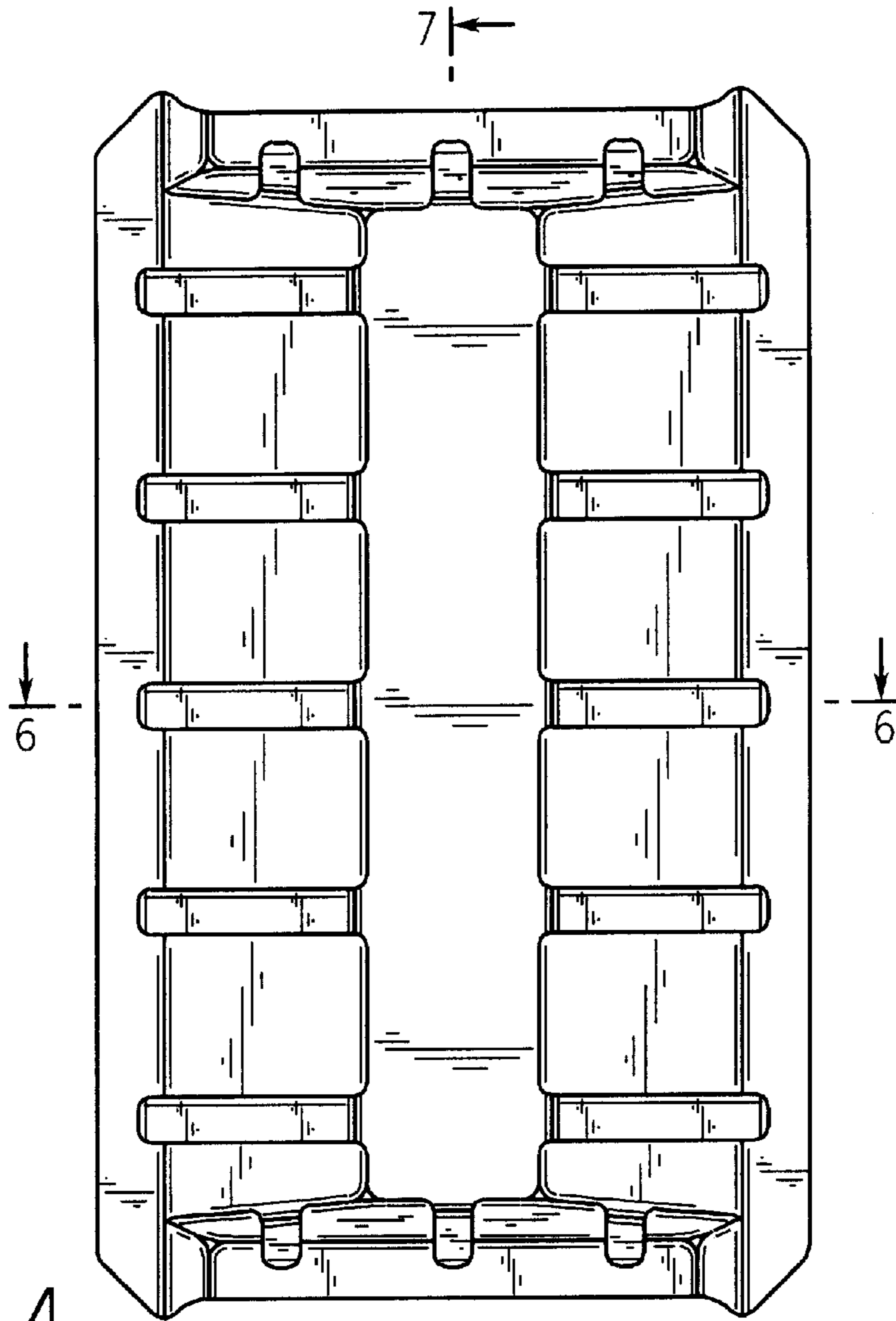


FIG. 4

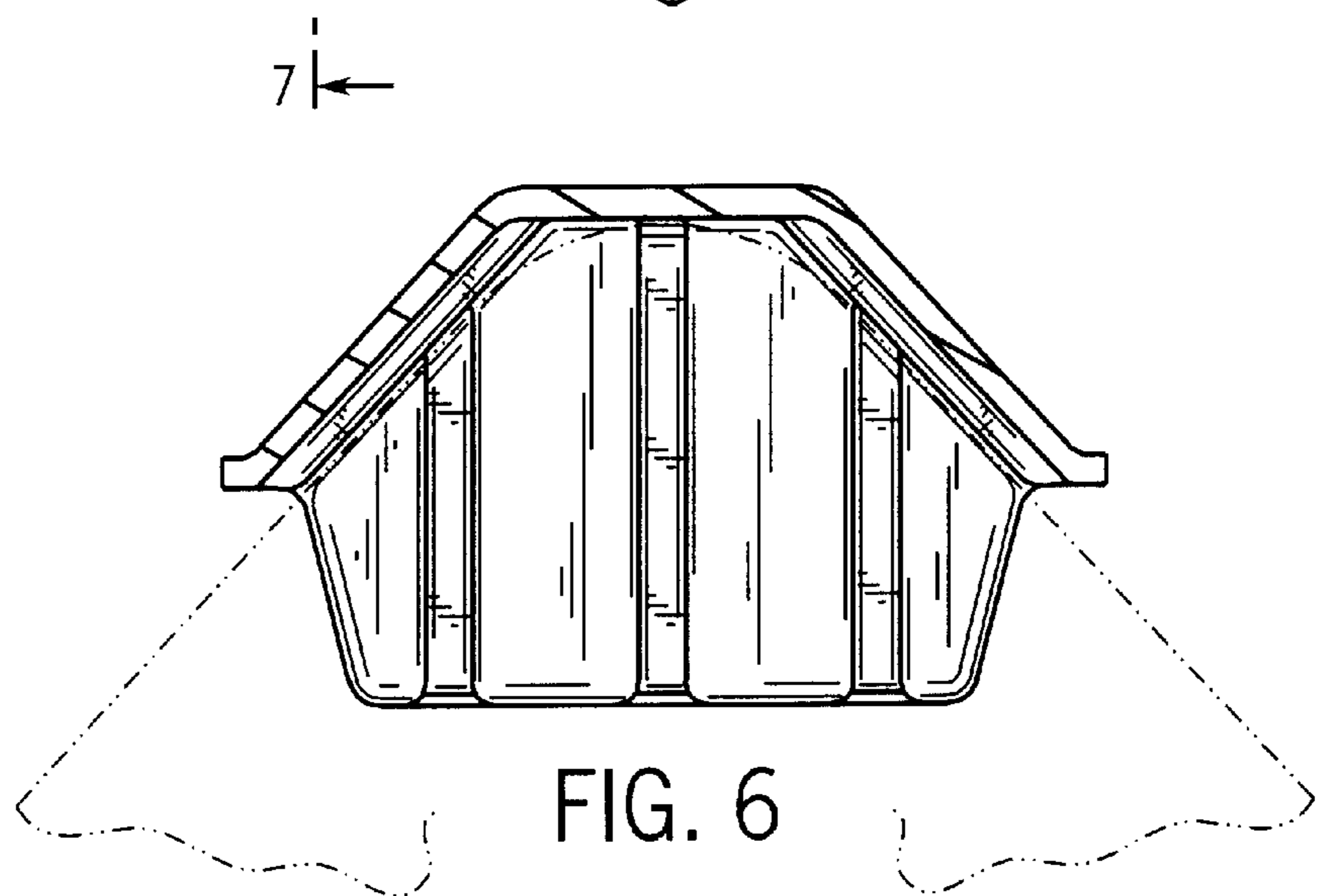


FIG. 6